

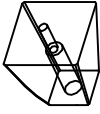

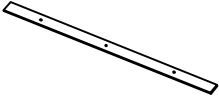






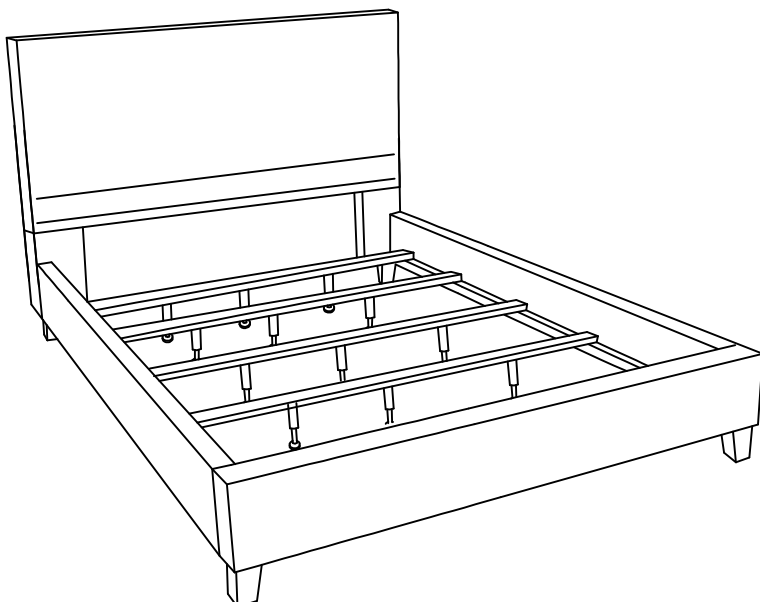


ASSEMBLY INSTRUCTION

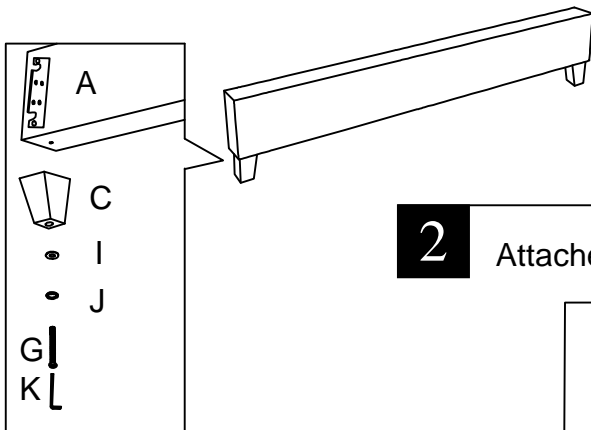
KING BED - FOOTBOARD & SIDE RAILS

A Footboard	B Side Rails	C Wooden Leg	D Support Leg	E Wooden Slats
				
1pc	2pcs	2pcs	15pcs	5pcs
F Screw	G Bolt 1/4" x 75mm	H Bolt 1/4" x 50mm	I Flat Washer	J Lock Washer
				
20pcs	2pcs	15pcs	17pcs	17pcs
K Allen Wrench				
				
1pc				

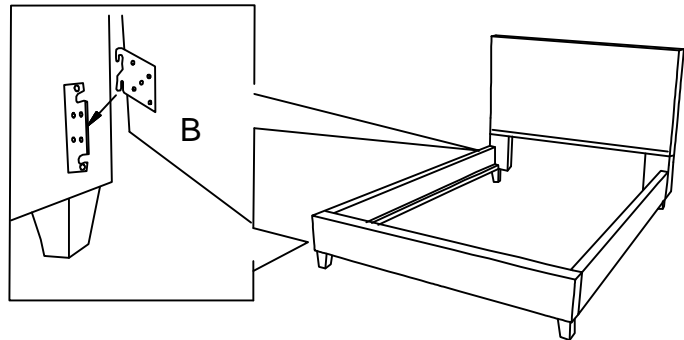


This page lists all the contents included in the box. Please take the time to identify the hardware as well as the individual components to this product. As you unpack and prepare for assembly, place the contents on a carpeted or padded area to protect them from damage.

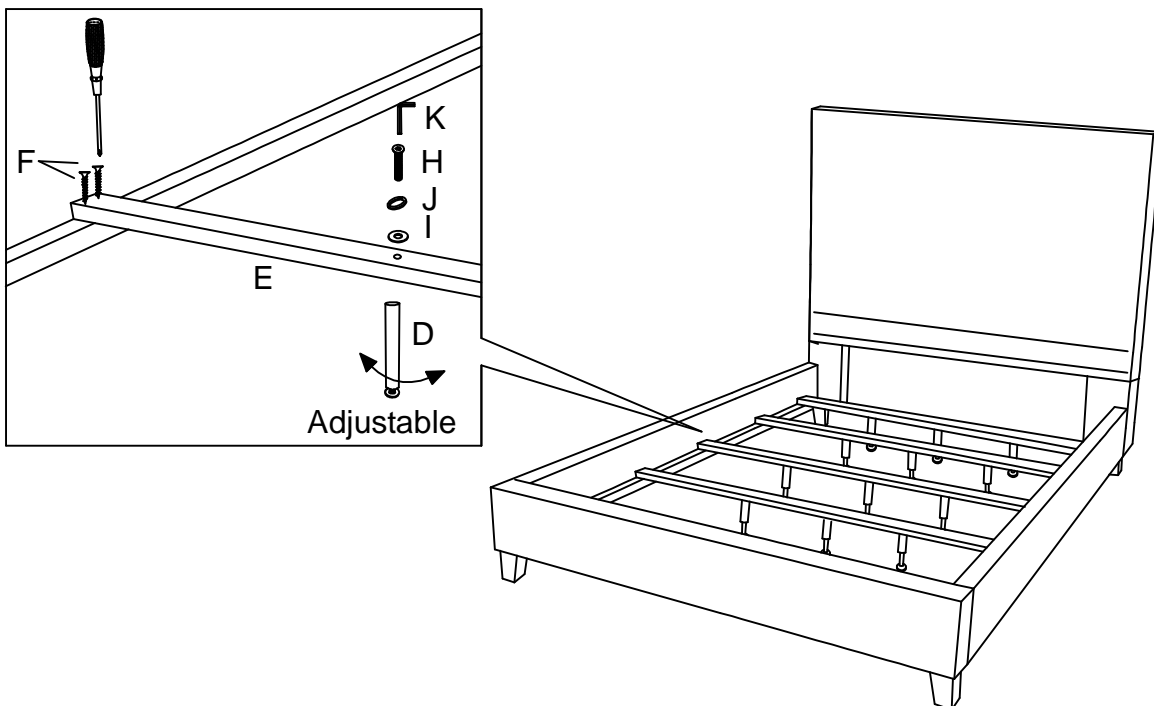
- 1** Attached Wooden Leg(C) to the Footboard(A) use Bolt(G), Lock Washer(J) and Flat Washer(I) on both of holes. Turn the Allen Wrench(K) in Bolt(G).



- 2** Attached Side Rails(B) to the Headboard and Footboard(A).



- 3** Assembly Support Leg(D) to Wooden Slats(E) use Bolt(H), Lock Washer(J) and Flat Washer(I) by Allen Wrench(K). Assembly Wooden Slats(E) to Side Rail(B) use Screw (F) as showing.



Cleaning & Care

Treat surface with care. Surface is resistant to scratches but is not scratch resistant. Clean surfaces with a dry or damp soft cloth. Do not use abrasive cleaners. Hardware may loosen over time. Periodically check that all connections are tight.