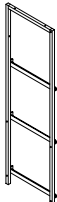
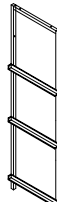
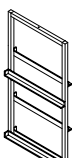
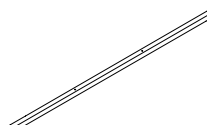
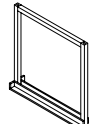
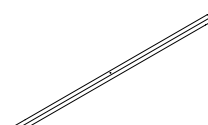
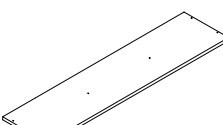
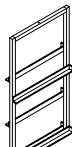
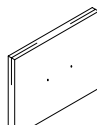
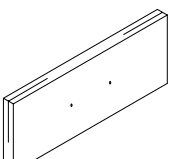
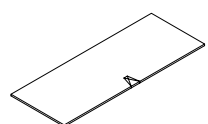
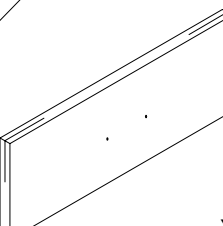
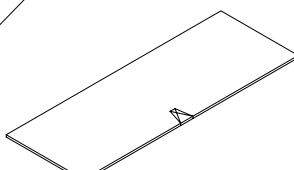

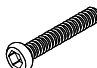

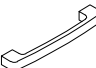

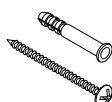



ASSEMBLY INSTRUCTION

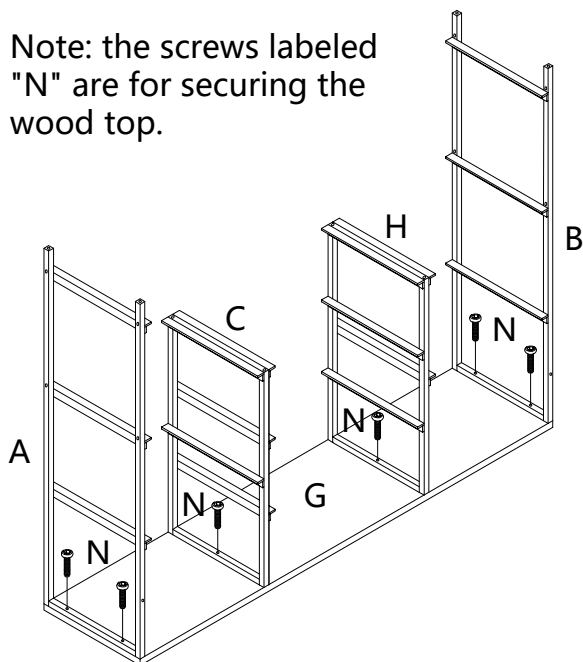
- ①. Check out our Youtube channel for step-by-step installation video.
- ②. It would be best if you set aside and organize all pieces & corresponding "nuts/ bolts" first.
- ③. Please follow the instruction to assemble the item correctly.
- ④. Could be assembled by one person, but would recommend two.
- ⑤. Do not tighten the screws until all of them are in right positions.

SAFETY INFORMATION
The accessory bag contains some small accessories, which should be kept away from children.

A  X1	B  X1	C  X1	D  X2	E  X1
F  X2	G  X1	H  X1	I  X4	J  X3
K  X3	L  X2	M  X2	N  M6x25mm X6	O  M6x28mm X16
P  M4x6mm X18	Q  X9	R  X4	S  X2	T  X1

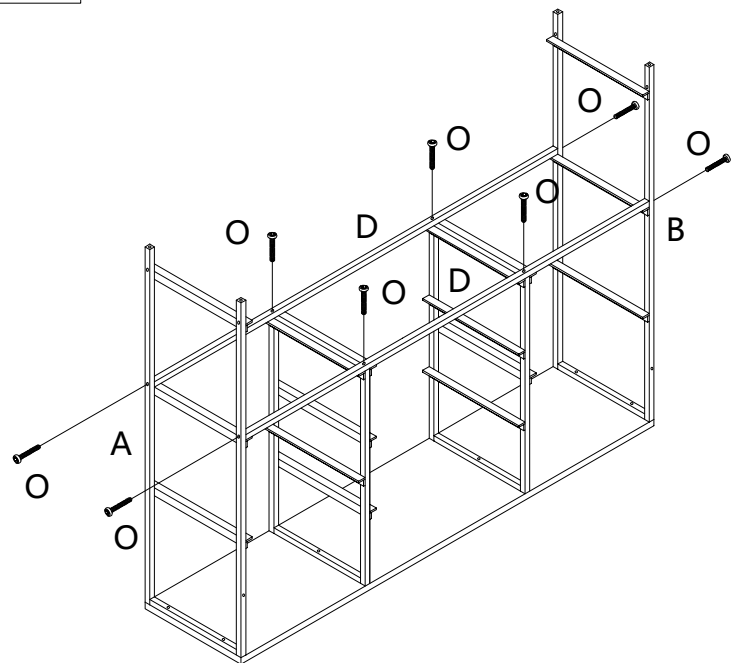
1

Note: the screws labeled "N" are for securing the wood top.



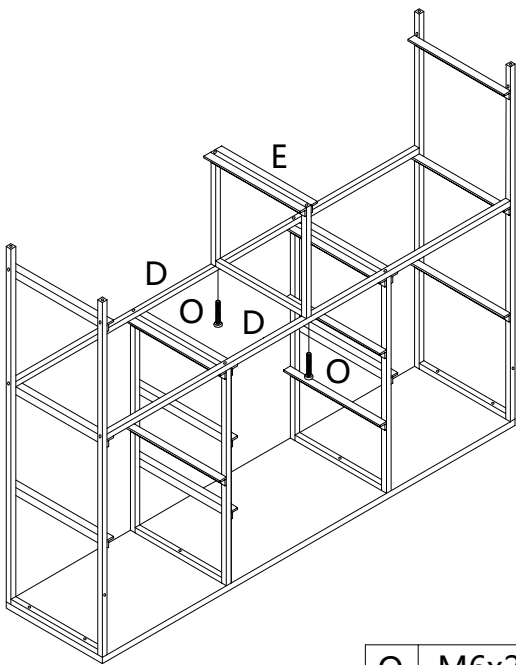
N M6x25 x6

2



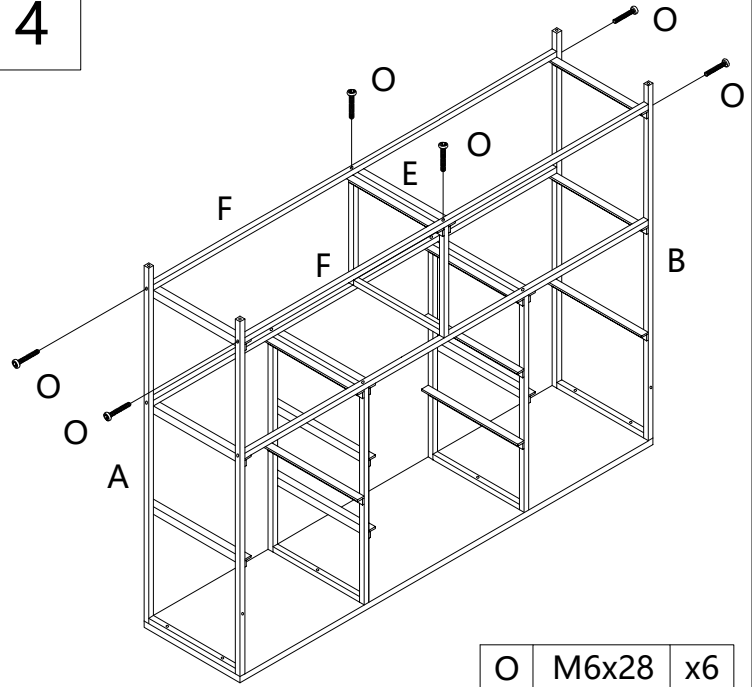
O M6x28 x8

3



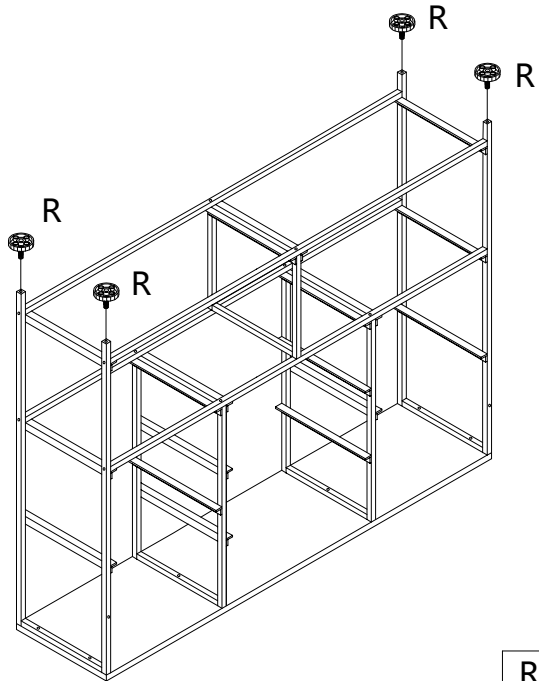
O	M6x28	x2
---	-------	----

4



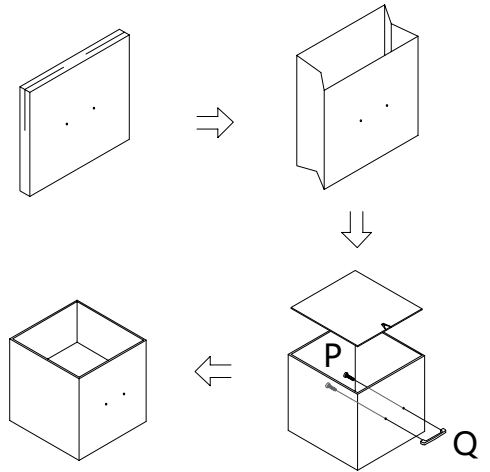
O	M6x28	x6
---	-------	----

5



R	x4
---	----

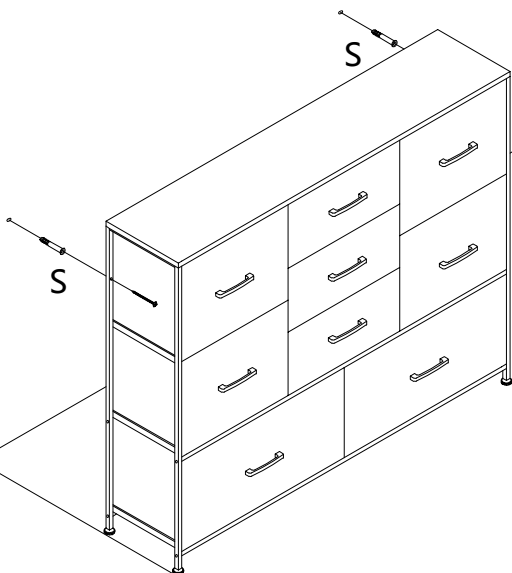
6



P	M4x6	x18
---	------	-----

Q	x9
---	----

7



S	x2
---	----