



Per Seat Weight Limitation

**80 LBS**

**ITEM NO. MSHD1564**

Thank You For Choosing Our Furniture

- ▀ If you have any questions or concerns, don't hesitate to reach out to us. ▴

Call us: +1(833)324-2464  
Email: [hello@hulalahome.com](mailto:hello@hulalahome.com)

**NOTE:**






This brochure contains  
**IMPORTANT** safety info.  
Please read and keep it  
for future reference.

# MAINTAINANCE AND WARNINGS



## Before You Start

### ***Please follow the steps below:***




-  Check the packaging for any damage, deformation, or water stains. If there is significant damage, please contact us promptly.
-  Open the packaging and confirm that the panels, hardware, screws, etc are complete.
-  Please read the installation instructions carefully to understand the installation steps and precautions to ensure proper installation.
-  Clean the installation area in advance and ensure the ground is level and there is enough space to avoid damaging the furniture or making installation difficult.
-  Lay a protective mat on the ground to prevent scratching the floor during installation.

### ***After-Sales Service***

- If you encounter any issues or need technical support during use, please contact our after-sales team. We offer long-term maintenance and warranty services.





## Precautions

-  This product for indoor use only. Do not expose it to outdoor elements or high-humidity environments.
-  Keep the product away from high heat or open flames to prevent fire hazards.
-  Do not allow children to climb on the product to prevent personal injury caused by tipping



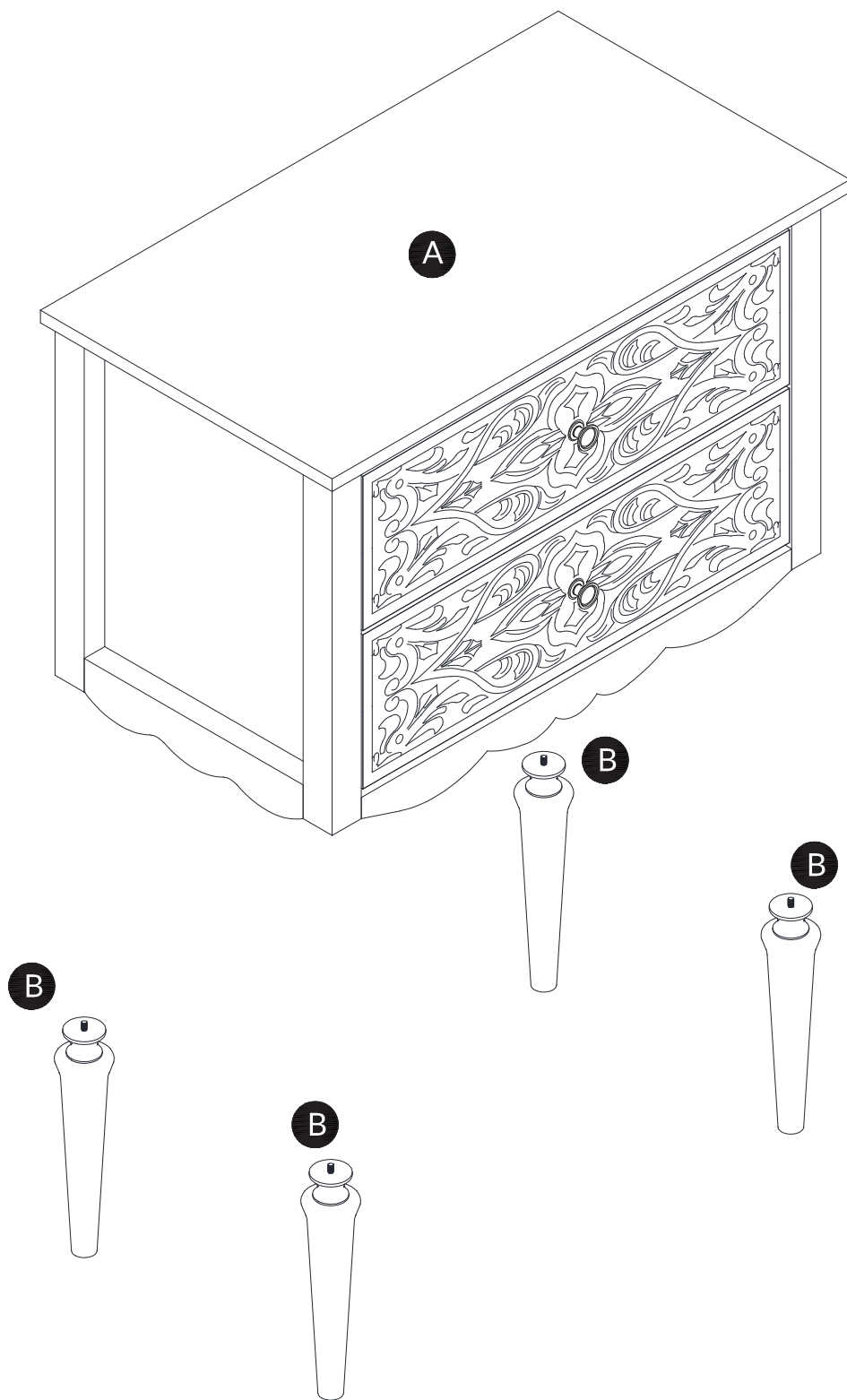
## Safety Warnings

-  If you notice any loose or damaged parts, stop using the product immediately and contact customer service.
-  Do not attempt to disassemble or replace any components yourself, as this may affect the stability and safety of the product.

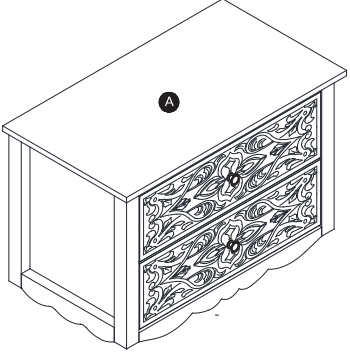

### ***Daily Maintenance***

- Do not use cleaning agents containing acids, alkalis, or corrosive substances, as they may damage the surface. It is recommended to use neutral cleaning agents or specialized furniture cleaners
- Avoid exposing furniture to humid environments for extended periods to prevent swelling or deformation of the boards. Use a dehumidifier or desiccant during humid weather.
- Avoid direct contact of furniture with water. If water is accidentally spilled, wipe it dry immediately.
- Avoid placing excessively heavy objects on the furniture: ensure the weight is within a reasonable load-bearing range.
- Avoid using sharp or rough items on the furniture surface to prevent scratches. Handle items gently when moving them

*Explosive view*



# Parts list

<p><b>A</b></p>  <p>x1</p>	<p><b>B</b></p>  <p>x4</p>

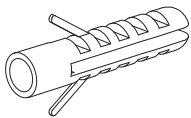
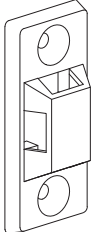
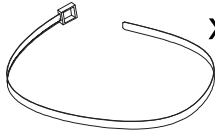
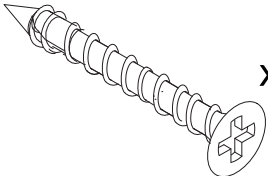
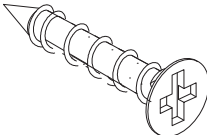
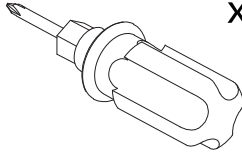


Installation:  
15minutes.



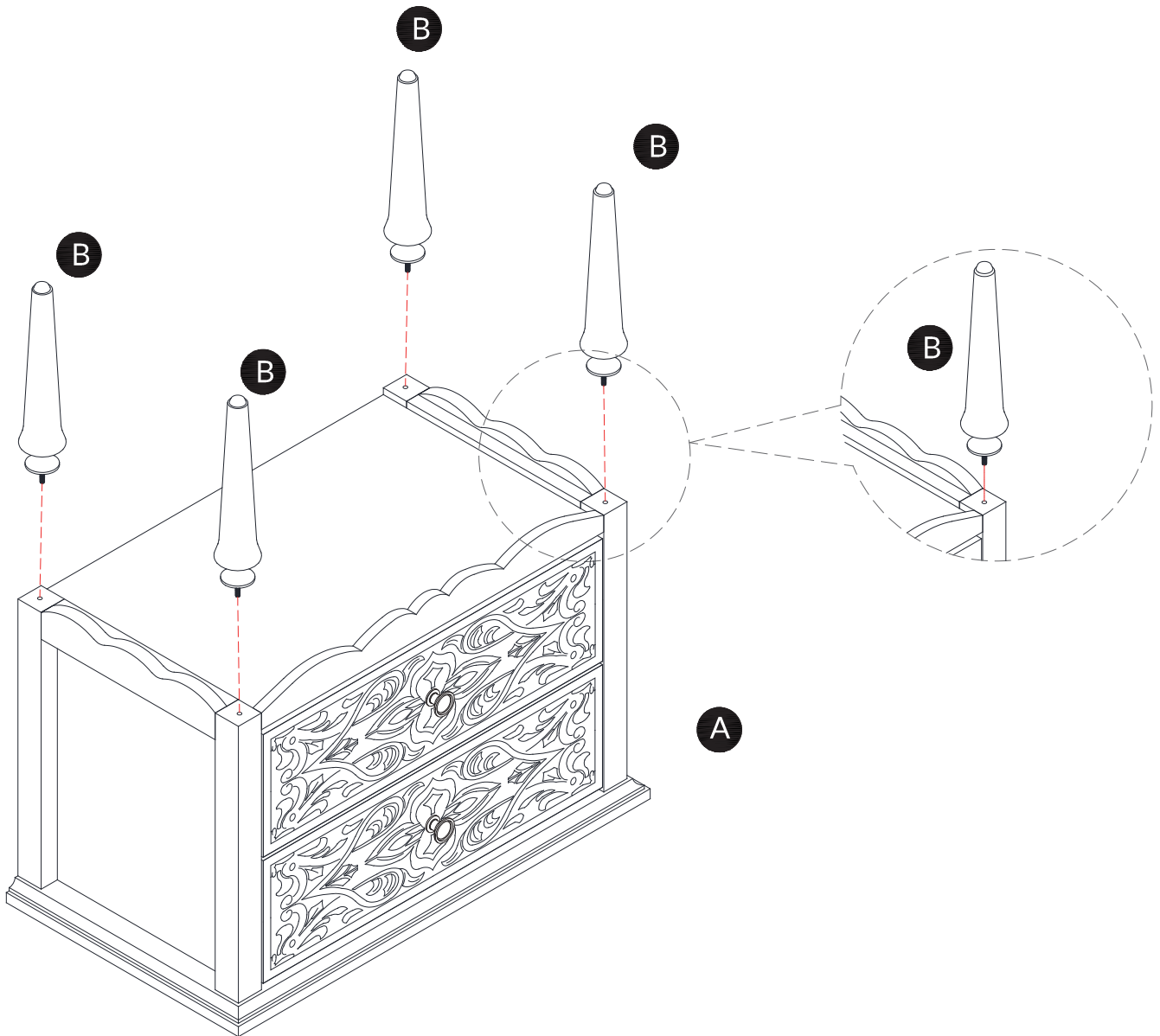
Two Person

# Hardware List

<p>1</p>  <p>x4</p>	<p>2</p>  <p>x4</p>	<p>3</p>  <p>x2</p>
<p>4</p>  <p>x4</p> <p>D4x40mm</p>	<p>5</p>  <p>x4</p> <p>D3x 20 mm</p>	<p>6</p>  <p>x1</p>

## Step 1

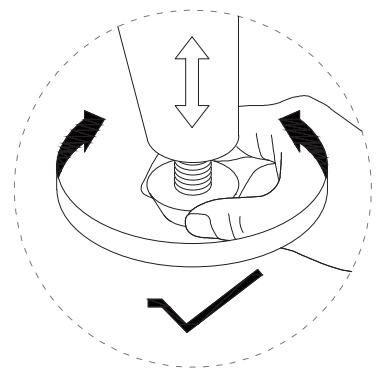
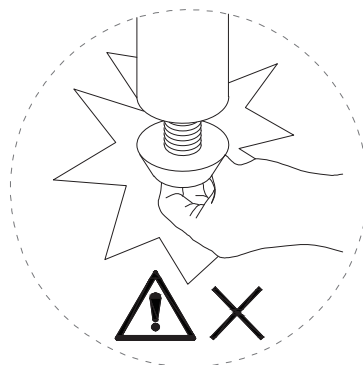
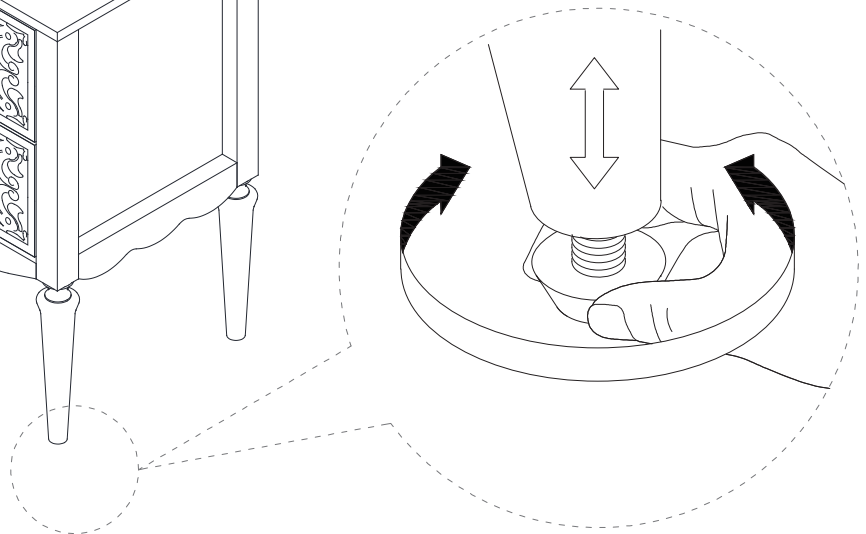
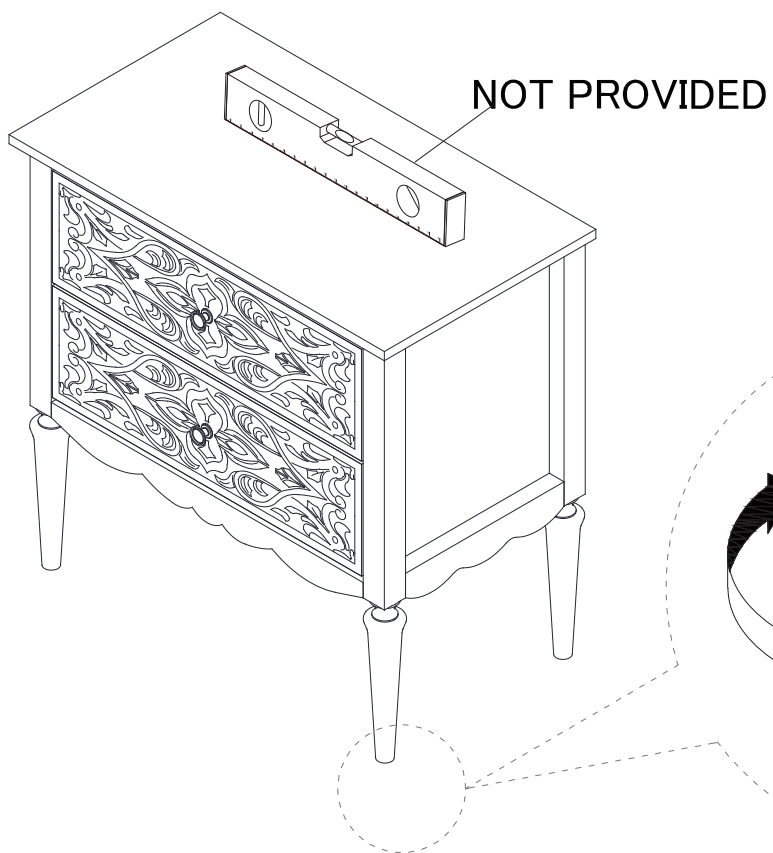
As shown in the figure: Rotate the foot (B) in the direction of the arrow into the corresponding hole of the cabinet (A).



## Step 2

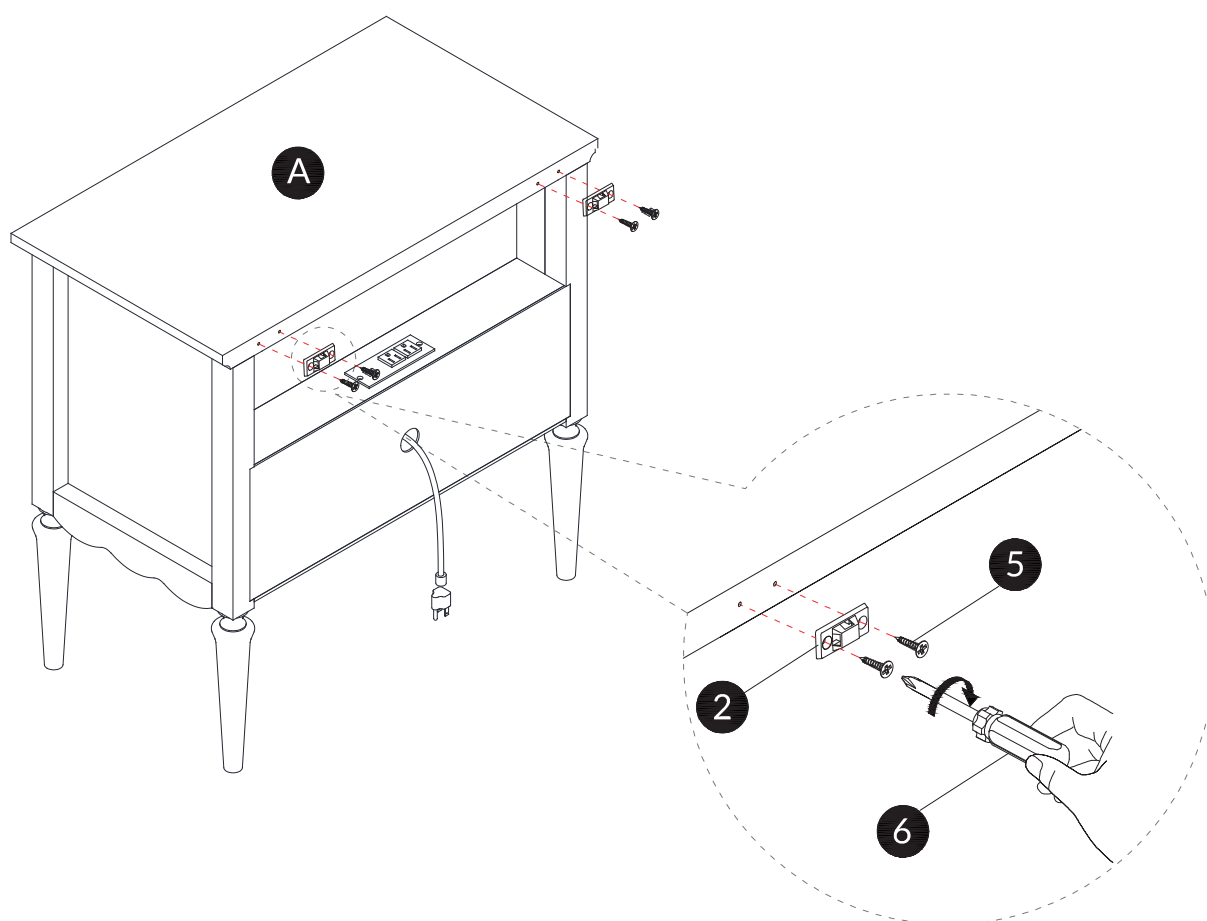


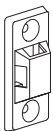
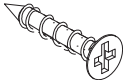
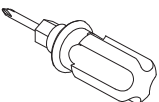
Attention:  
Before the next step, adjust the feet of  
the locker to keep it level.




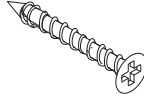

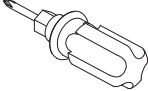
### Step 3

Use screw 5 to attach part 2 to back (A) , tight screw with screwdriver 6.

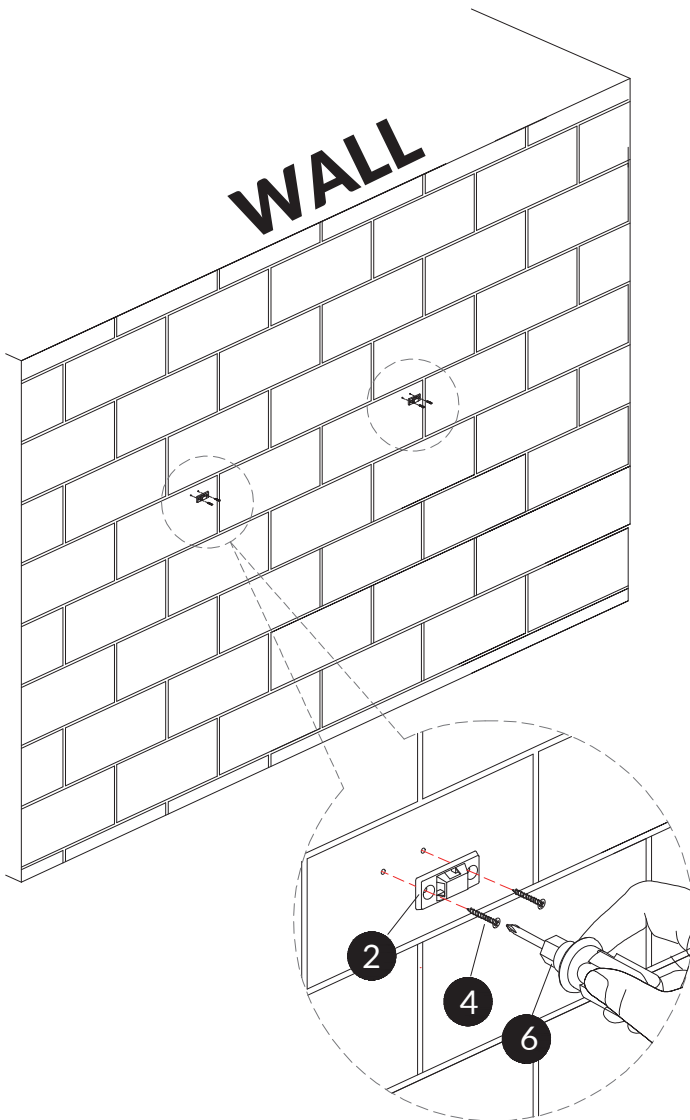


2	x2	5	x4	6	x1
					
		D3x 20mm			

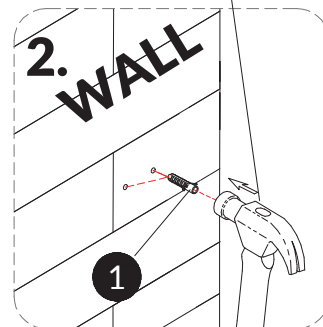
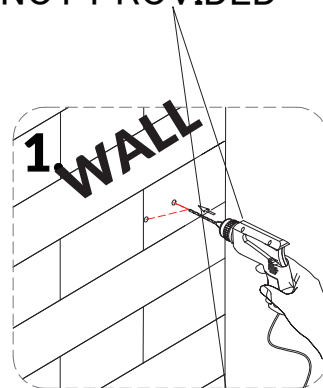
## Step 5

2	x2	4	x4	1	x4	6	x1
							
		D4x40mm					

1. Install anti-collapse device.
2. Mark the corresponding position on the wall and on cabinet A; Drill holes with a hammer and insert the retractable screw 1.
3. Assemble part 2 to the wall. Align the holes on part 2 with the expandable screw 1, connect it using screw 4 and tighten it with a screwdriver 6.

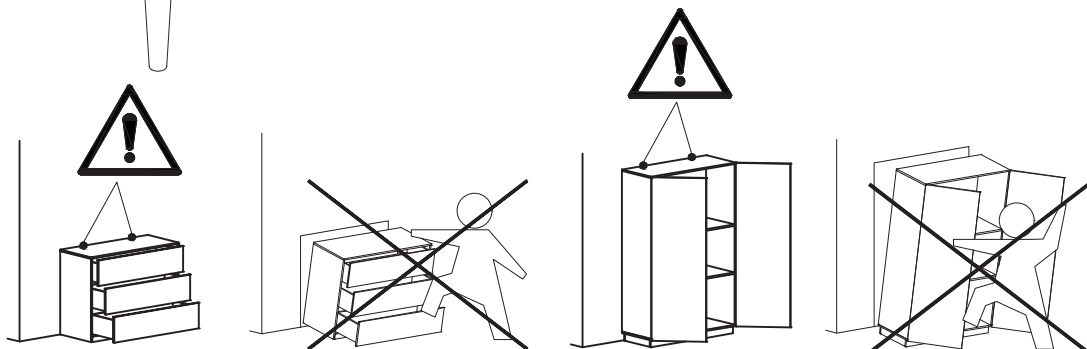
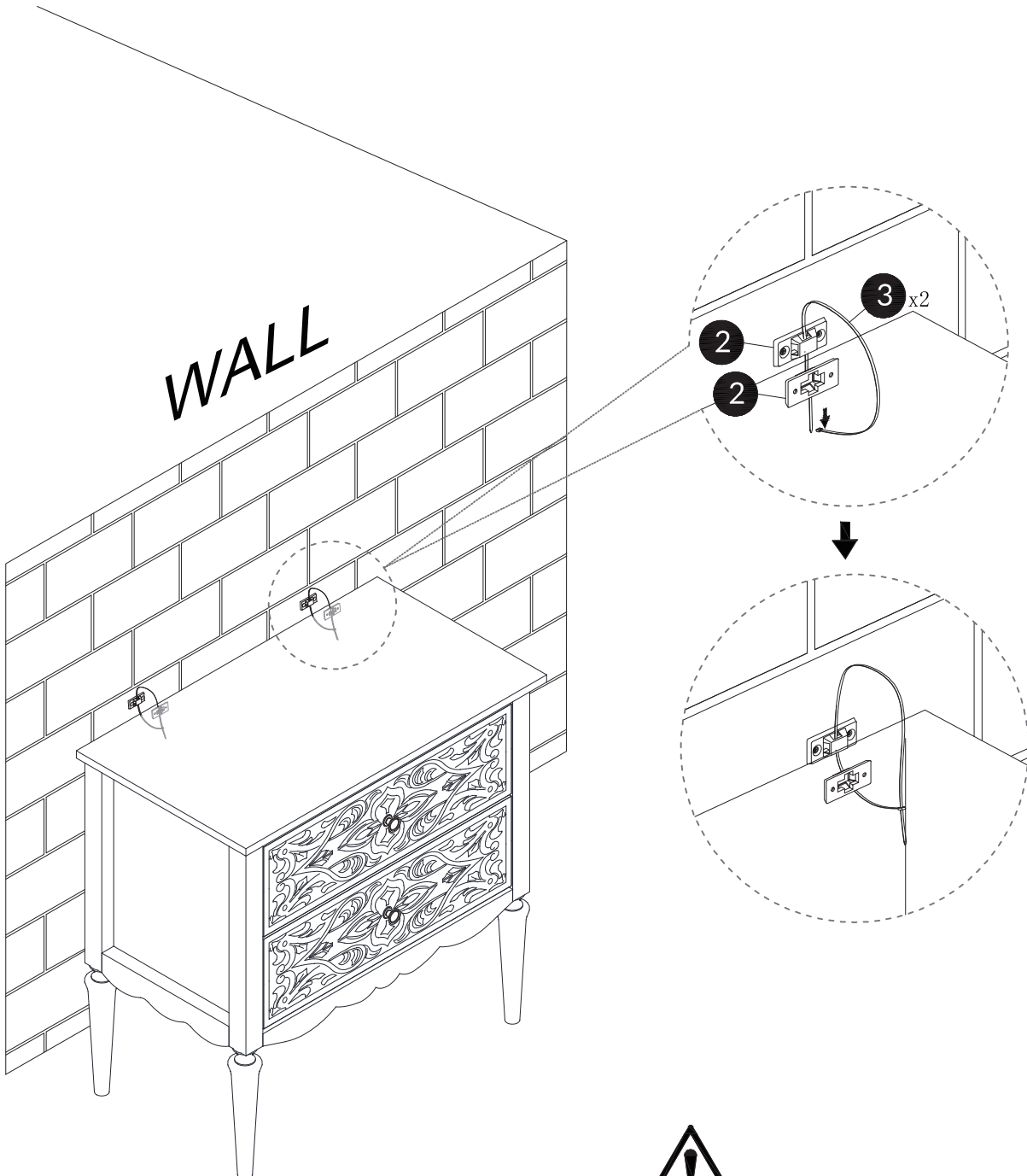


NOT PROVIDED



## Step 5

Let the plastic belt 3 pass through the both part 2 and pull tightly.



# WARRANTY

- We strive to offer quality products, and we also try our best to satisfy every customer who orders from us with products or services as needed.
- Replacement parts by purchasing them from our company if they are available.
- For return, please check the return policy with the retailer or market place you bought from

## ***Are you having difficulty***

With assembly? Missing parts?  
Please send an email with your order No.to  
[hello@hulalahome.com](mailto:hello@hulalahome.com)

Appreciate your purchasing from us.  
Pop up your life by our furniture piece!