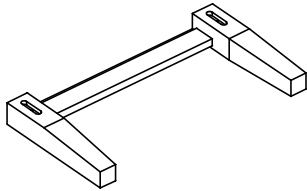


# ASSEMBLY INSTRUCTIONS

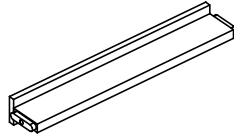
## WOODEN OTTOMAN / SIDE TABLE

**A** Leg frame



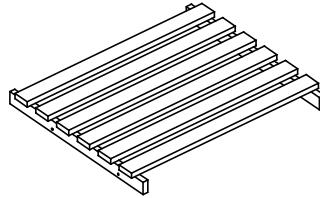
2pcs

**B** Apron



2pcs

**C** Seat



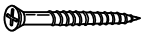
1pc

**D** 2 1/4" Bolt



4pcs + 1pc reserve

**E** 1" Screw

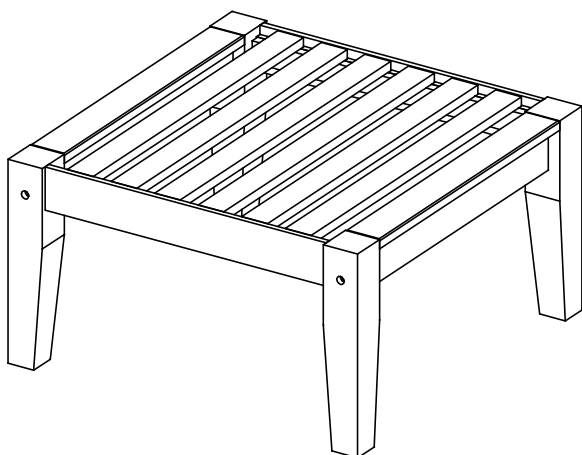


4pcs + 1pc reserve

**F** Wooden cap



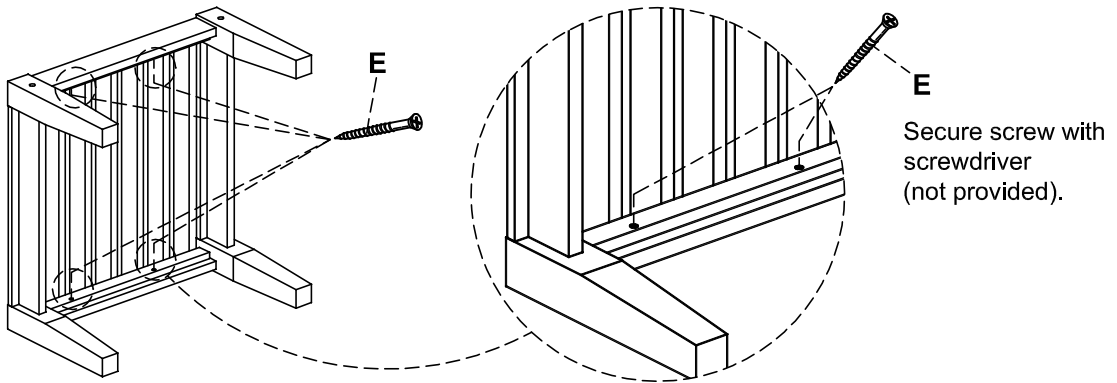
4pcs + 1pc reserve



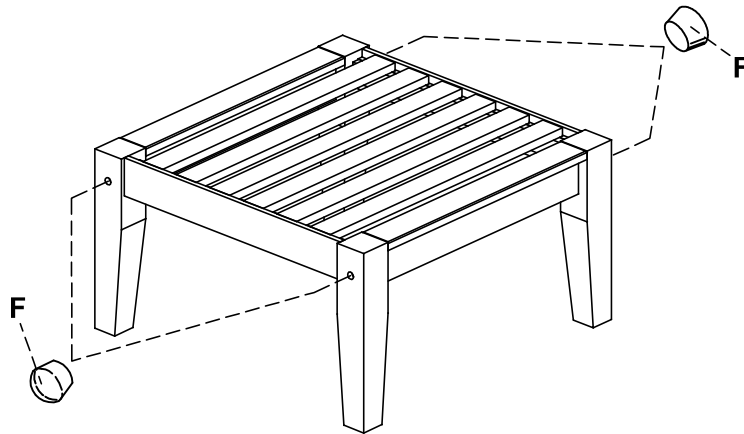
This page lists all the contents included in the box. Please take time to identify the hardware as well as the individual components to this product. As you unpack and prepare for assembly, place the contents on a carpeted or padded area to protect them from damage.



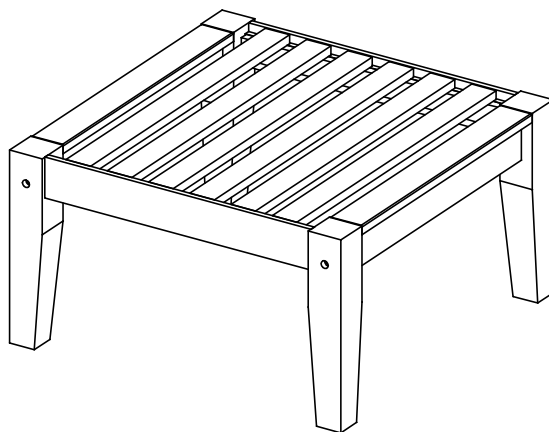
- 
- 3** Secure the seat (C) and leg frame (A), using 1" screws (E), position as shown. Tighten all screws using screwdriver (not provided).



- 
- 4** Tapping the wooden caps (F) to cover bolts using rubber mallet (not provided).



- 
- 5** The stool is now ready to use.



---

### Cleaning & Care

Treat surface with care. Surface is resistant to scratches but is not scratch resistant. Clean surfaces with a dry or damp soft cloth. Do not use abrasive cleaners. Hardware may loosen over time. Periodically check that all connections are tight.