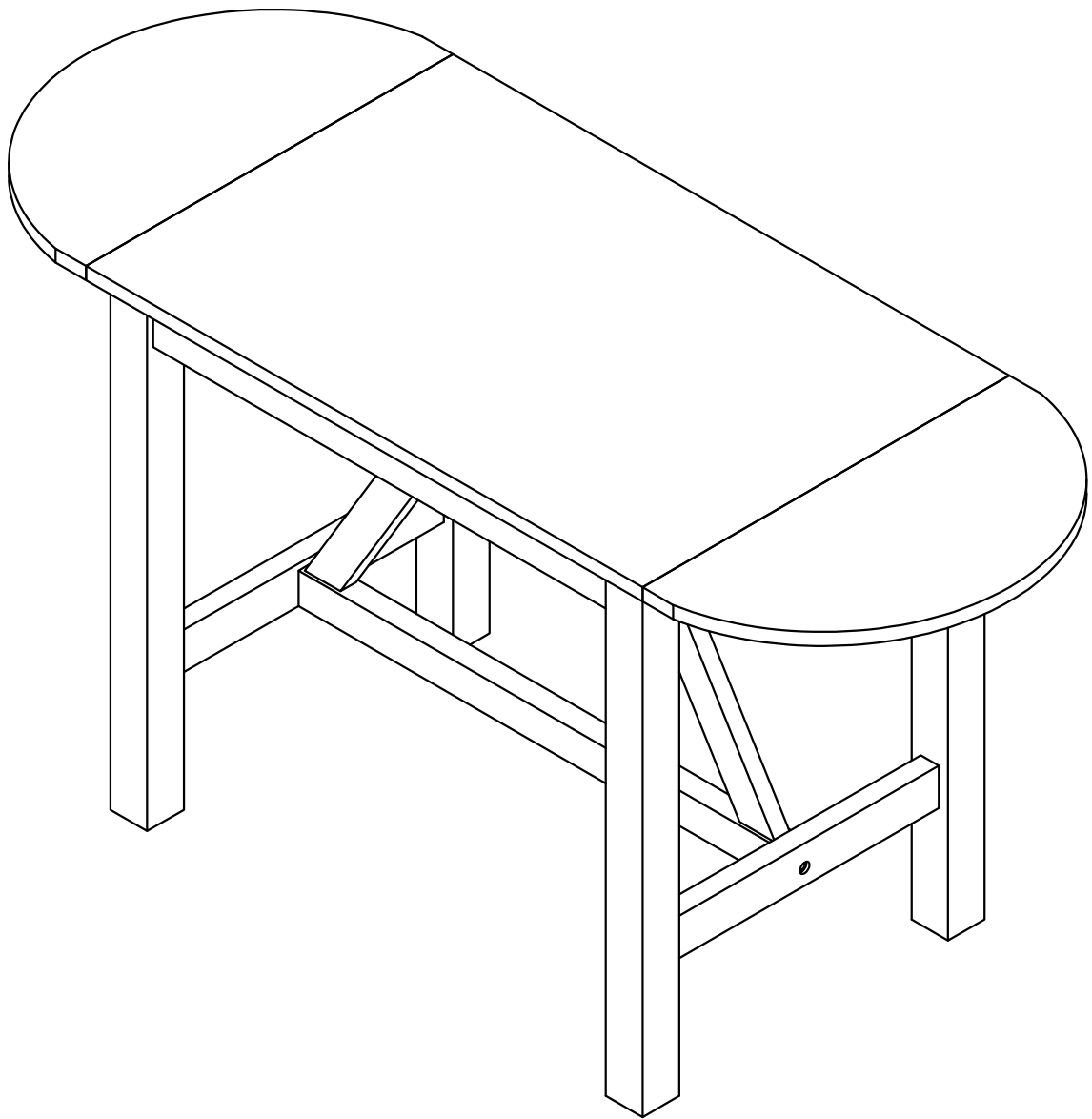


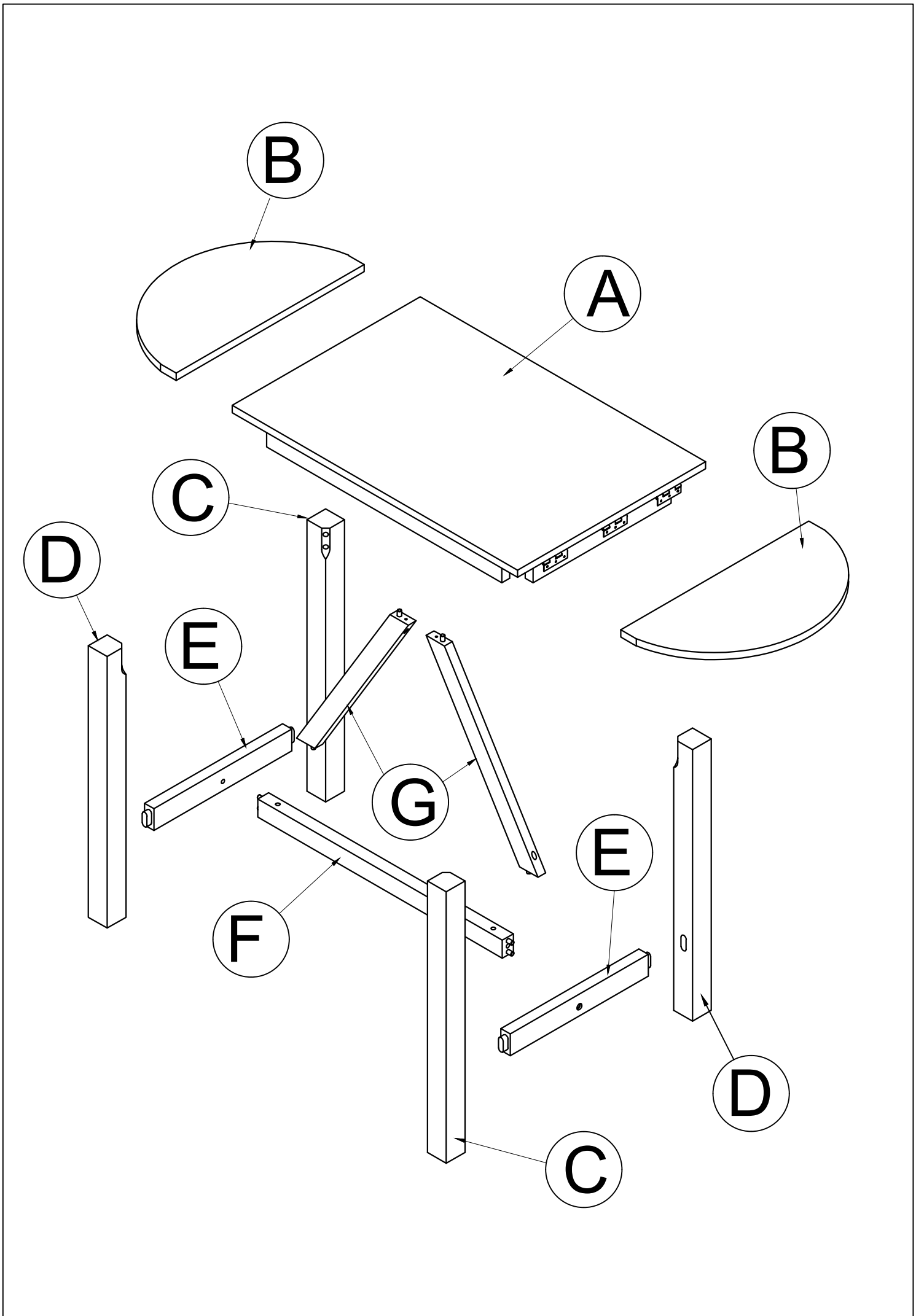
ASSEMBLY INSTRUCTIONS

DINING TABLE



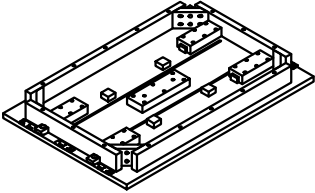
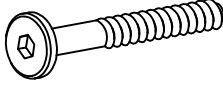
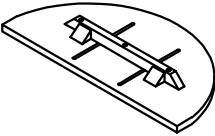
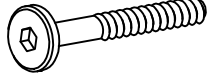
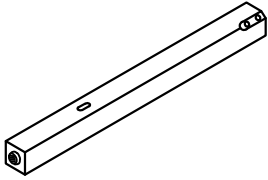
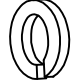
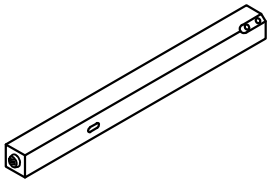

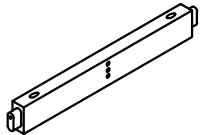
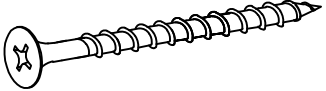
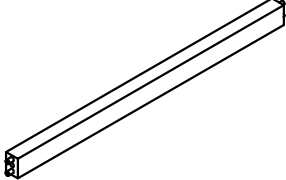
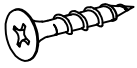
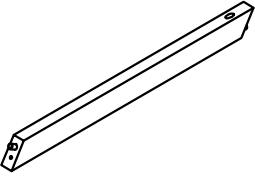

IMPORTANT NOTE:

- ① PLACE ALL PARTS ON A CLEAN AND SMOOTH SURFACE SUCH AS A RUG OR CARPET TO AVOID THE PARTS FROM BEING SCRATCHED.
- ② BEFORE YOU BEGIN, KINDLY FOLLOW THE ASSEMBLY INSTRUCTIONS STEP BY STEP.
- ③ DO NOT TIGHTEN ALL SCREWS AND BOLTS UNTIL THE CHAIR IS FULLY SET-UP.

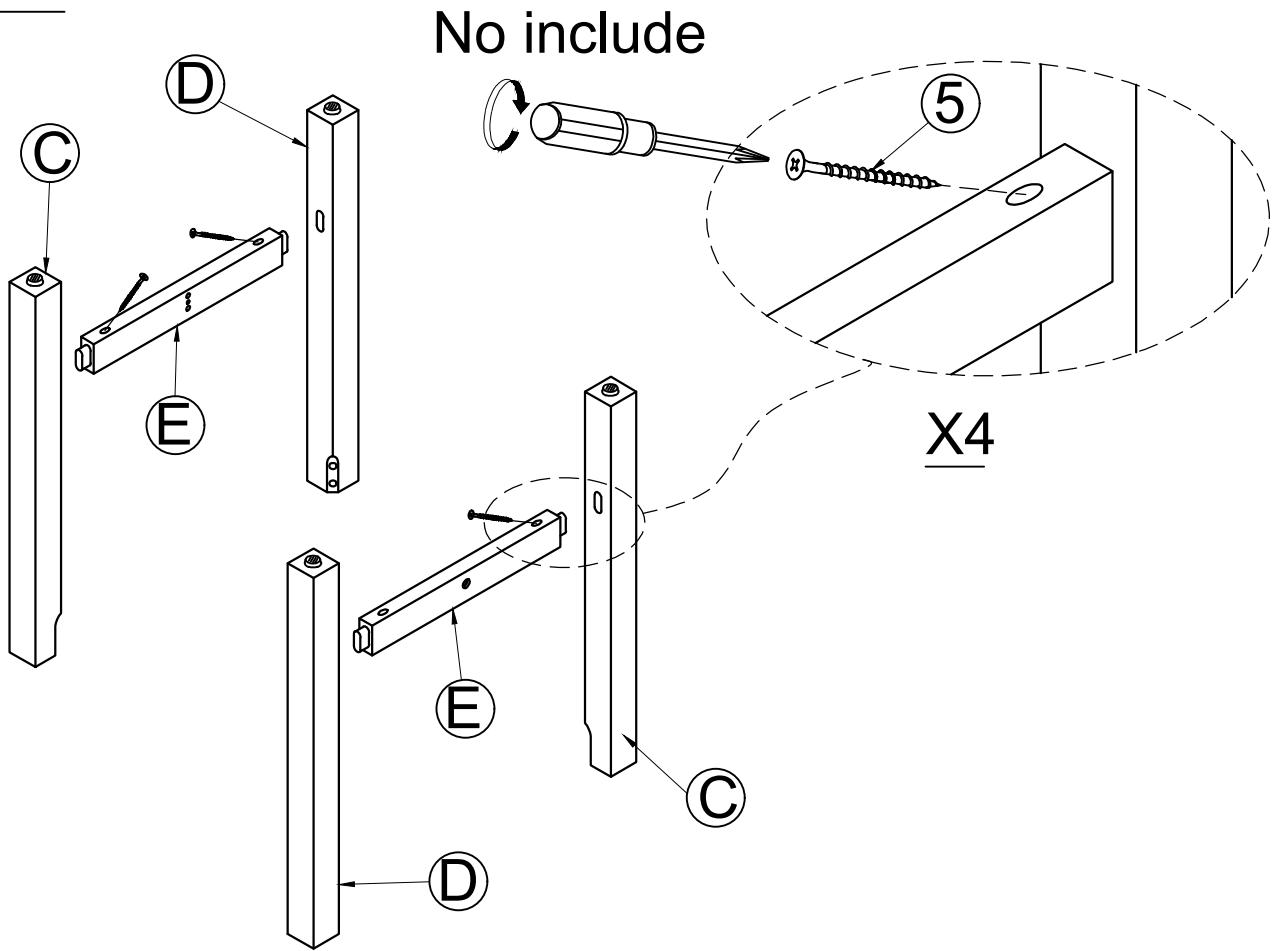


Part List

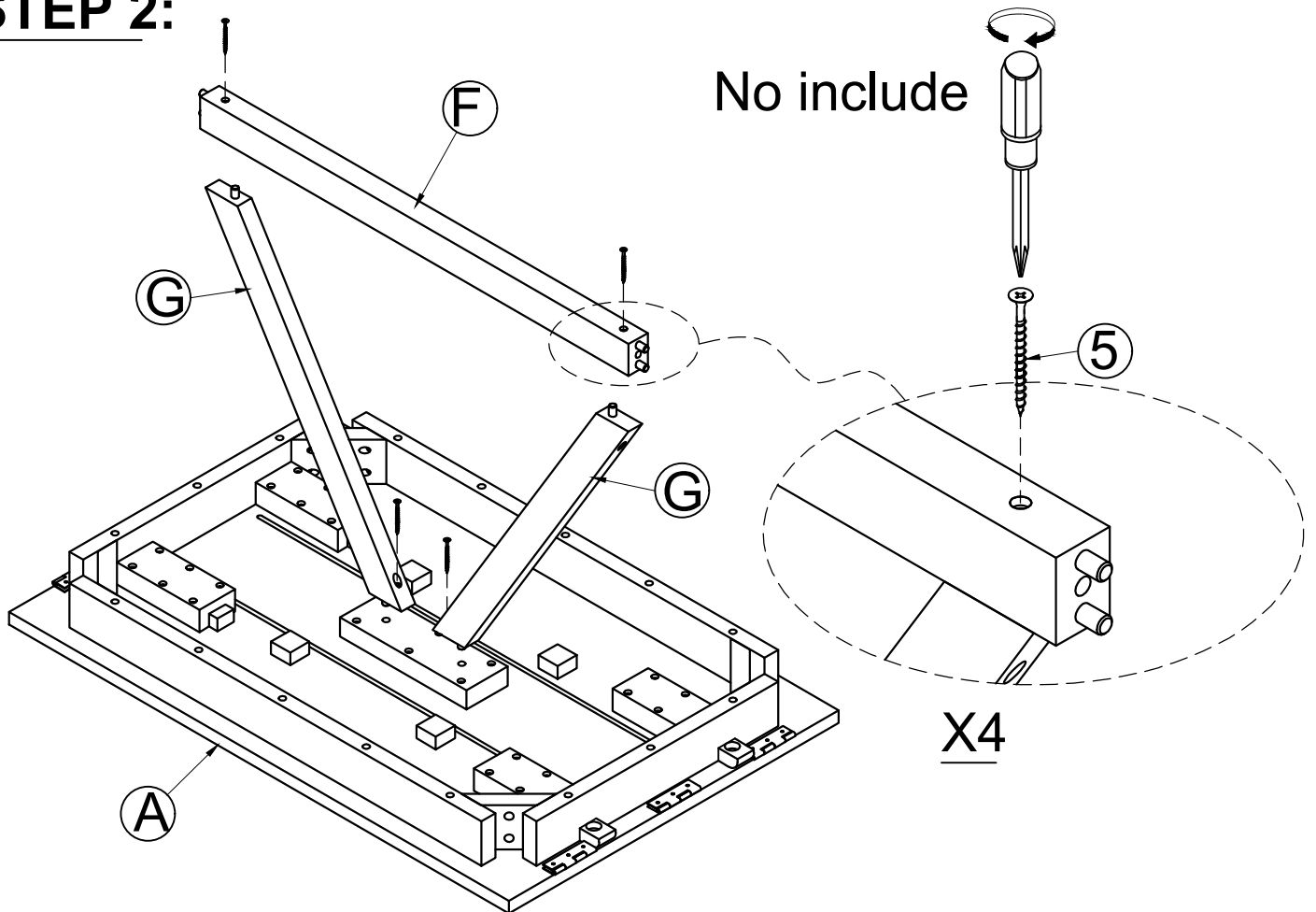
Hardware List

<p>(A)</p>  <p>TOP PANEL (1 PC)</p>	<p>(1)</p>  <p>Ø 5/16" x 60mm</p> <p>BOLT (8 pcs)</p>
<p>(B)</p>  <p>SIDE PANEL (2 PCS)</p>	<p>(2)</p>  <p>Ø 5/16" x 40mm</p> <p>BOLT (2 pcs)</p>
<p>(C)</p>  <p>LEFT LEG (2 PCS)</p>	<p>(3)</p>  <p>Ø 5/16" x 13mm</p> <p>FLAT WASHER (8 pcs)</p>
<p>(D)</p>  <p>RIGHT LEG (2 PCS)</p>	<p>(4)</p>  <p>Ø 5/16" x 19mm</p> <p>LOCK WASHER (8 pcs)</p>
<p>(E)</p>  <p>SIDE RAIL (2 PCS)</p>	<p>(5)</p>  <p>M4 x 45mm</p> <p>SCREW (8 pcs)</p>
<p>(F)</p>  <p>MIDDLE RAIL (1 PC)</p>	<p>(6)</p>  <p>M3.5 x 15mm</p> <p>SCREW (18 pcs)</p>
<p>(G)</p>  <p>TOP RAIL (2 PCS)</p>	<p>(7)</p>  <p>4mm</p> <p>ALLEN KEY (1 pc)</p>

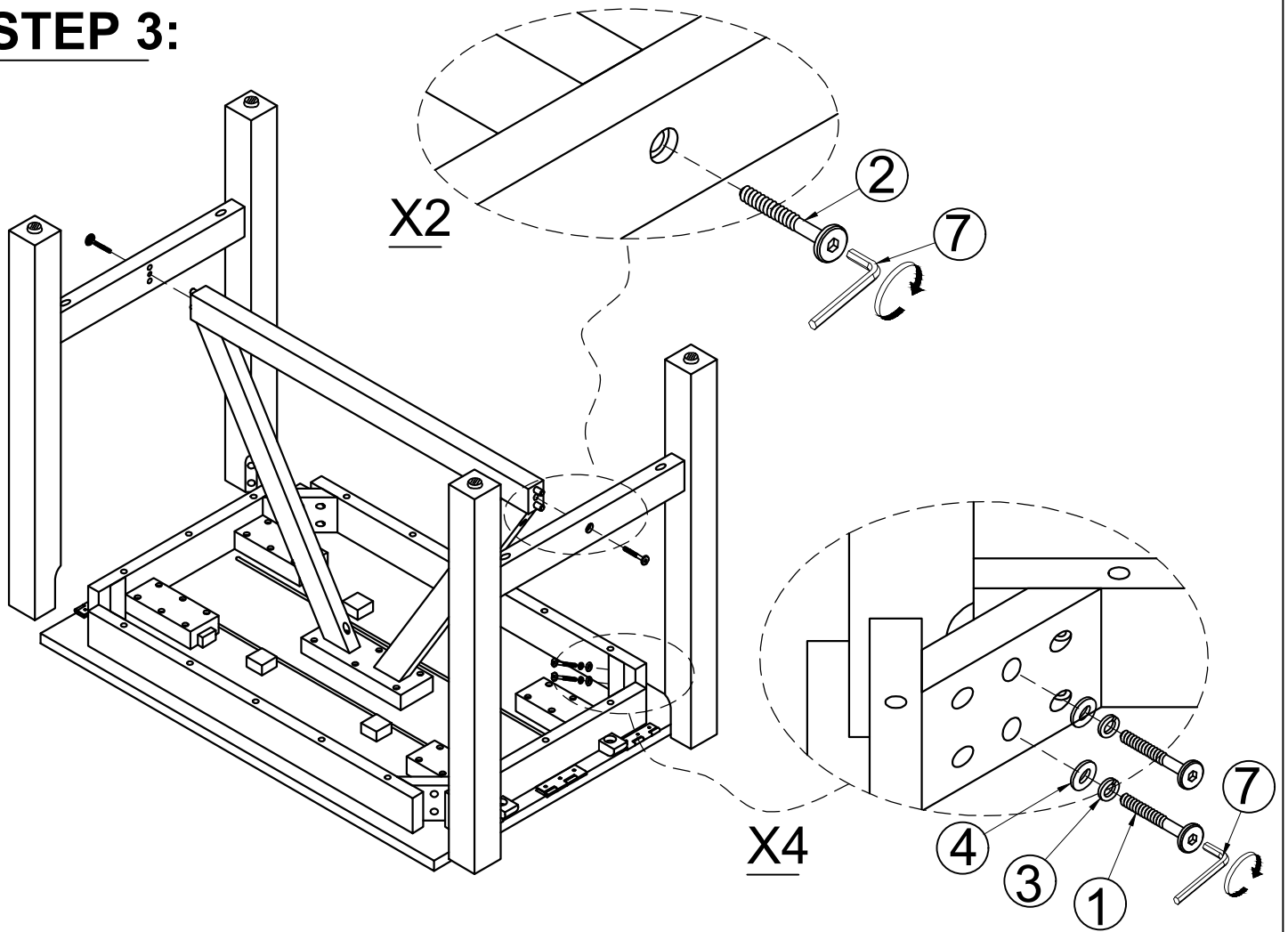
STEP 1:



STEP 2:

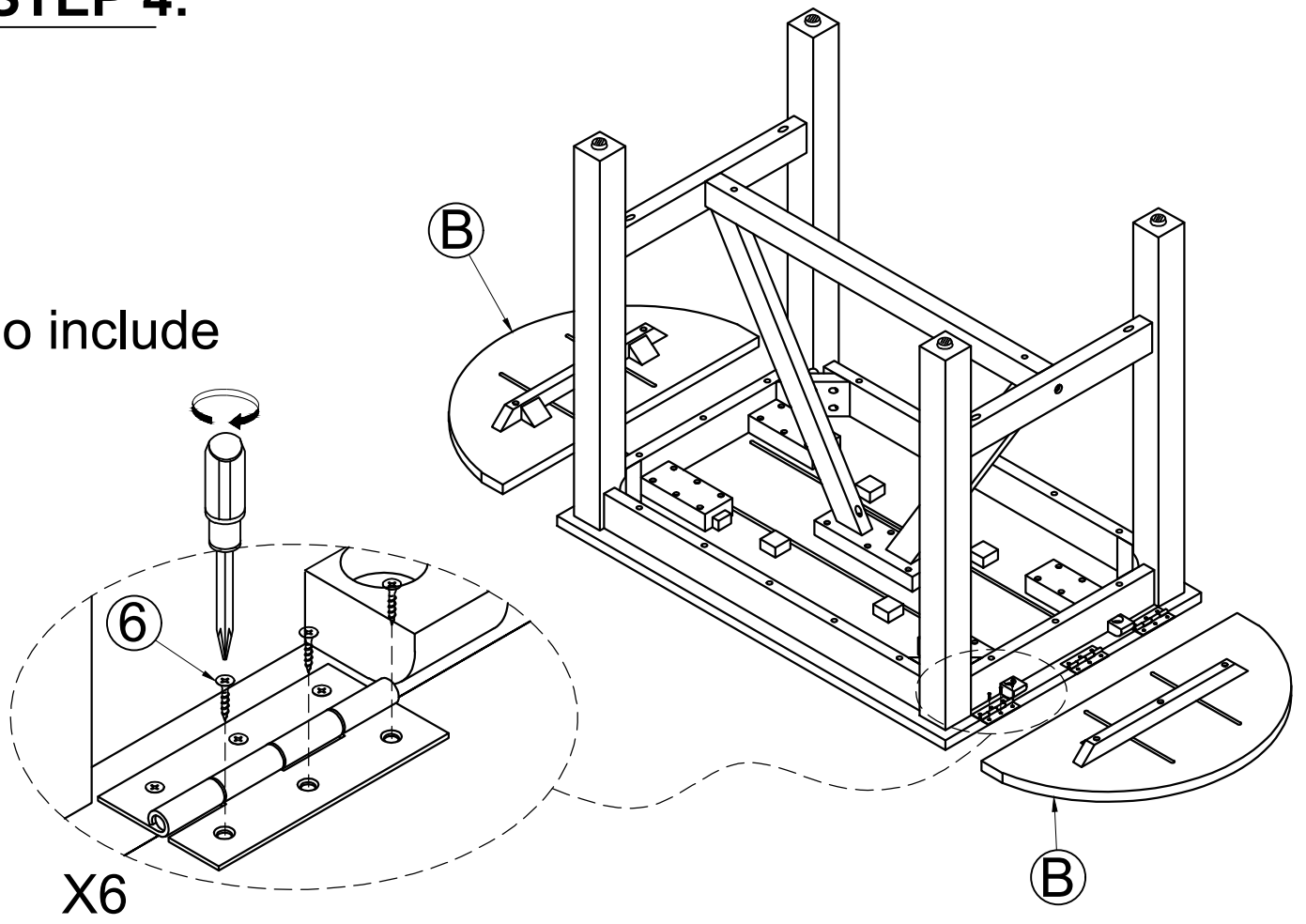


STEP 3:

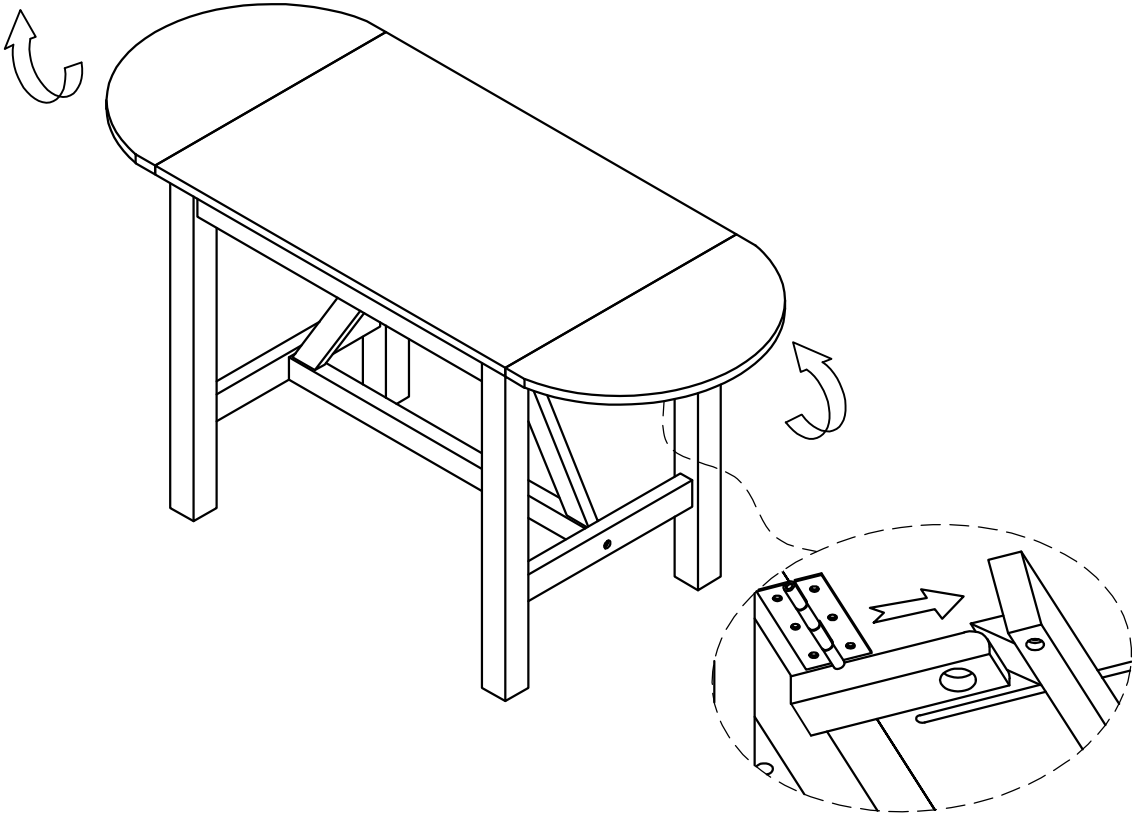


STEP 4:

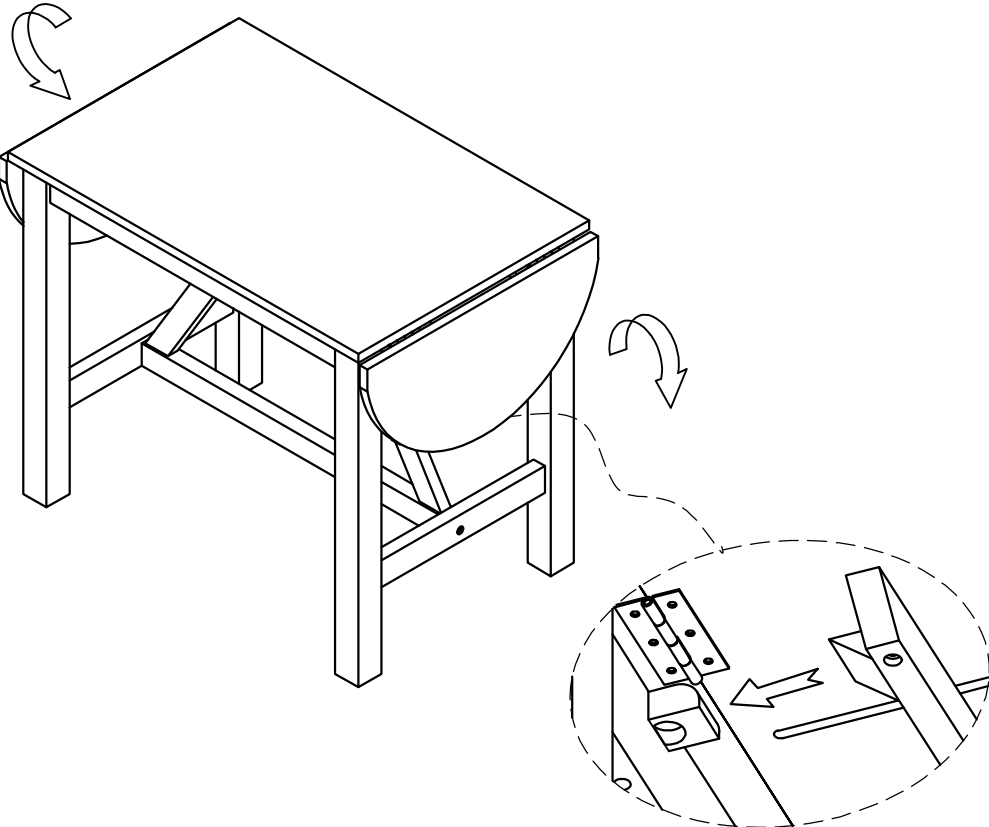
No include



STEP 5:

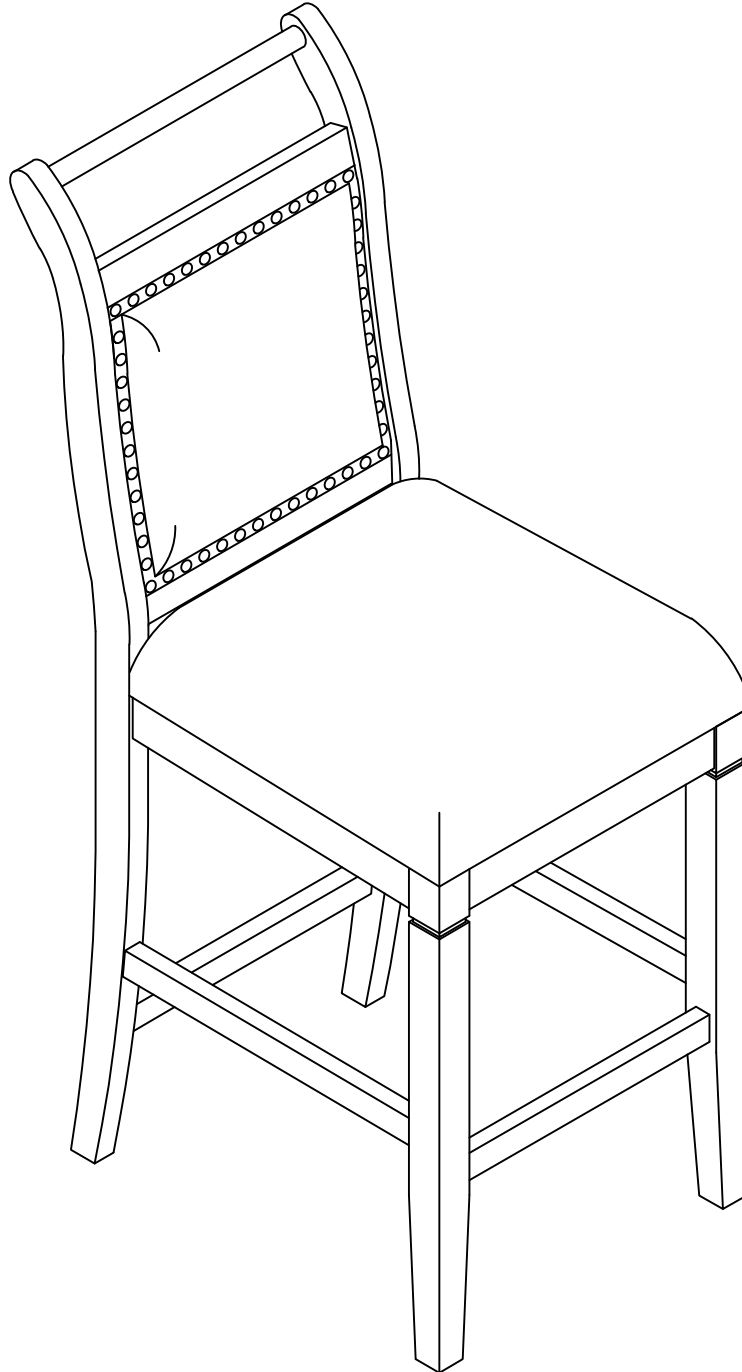


STEP 6:



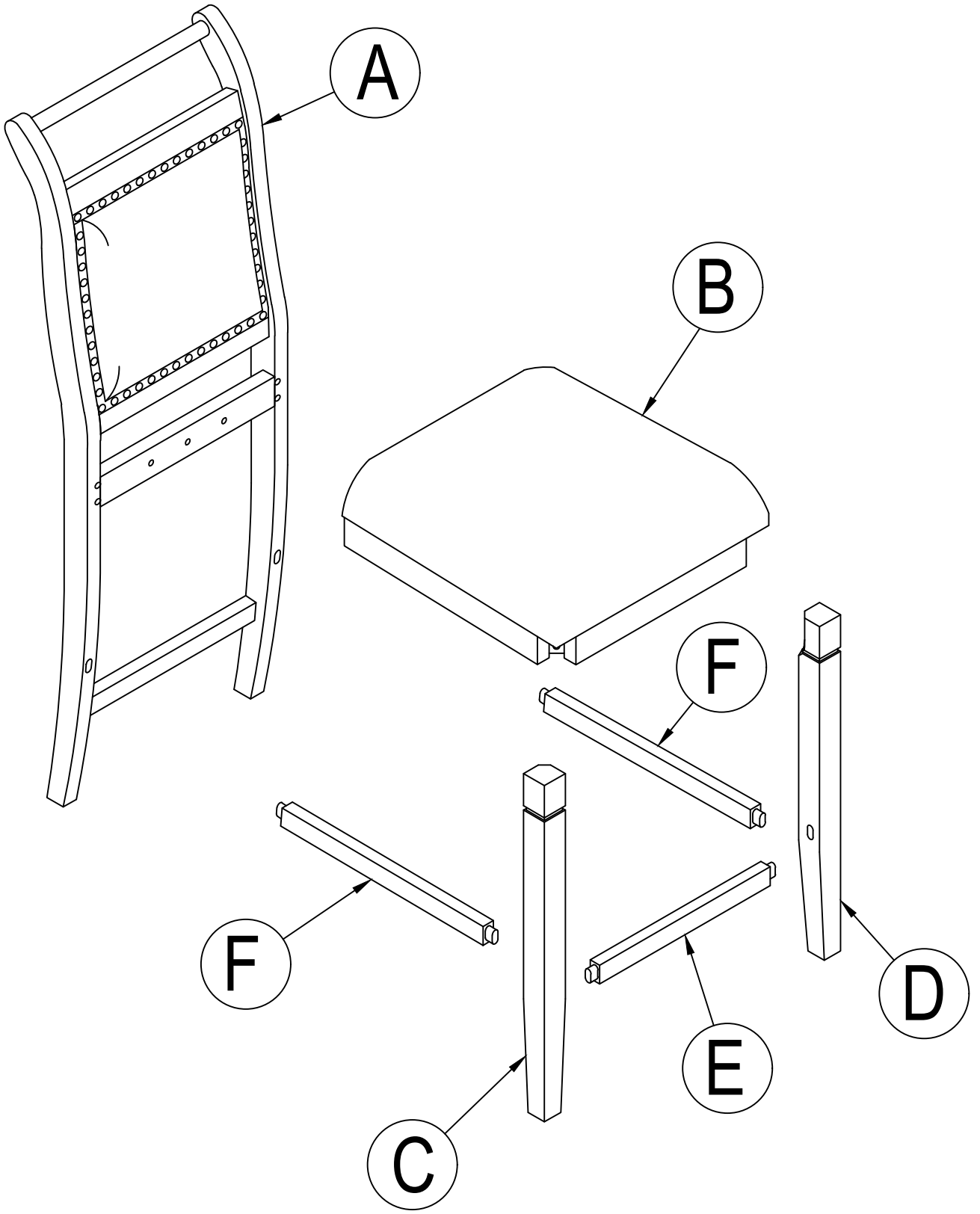
ASSEMBLY INSTRUCTIONS

DINING CHAIR



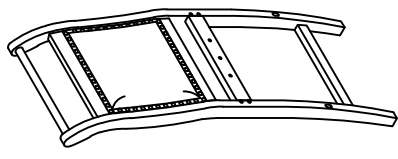
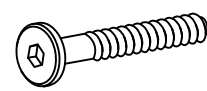
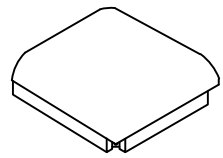
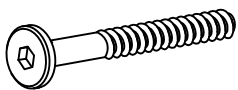
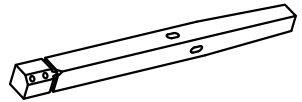
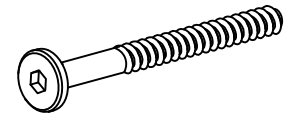
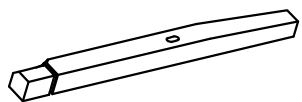
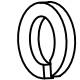
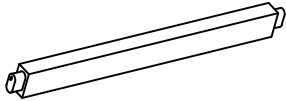

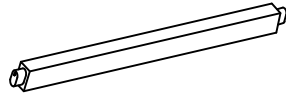
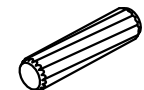
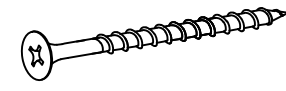
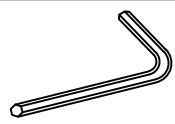
IMPORTANT NOTE:

- ① PLACE ALL PARTS ON A CLEAN AND SMOOTH SURFACE SUCH AS A RUG OR CARPET TO AVOID THE PARTS FROM BEING SCRATCHED.
- ② BEFORE YOU BEGIN, KINDLY FOLLOW THE ASSEMBLY INSTRUCTIONS STEP BY STEP.
- ③ DO NOT TIGHTEN ALL SCREWS AND BOLTS UNTIL THE CHAIR IS FULLY SET-UP.

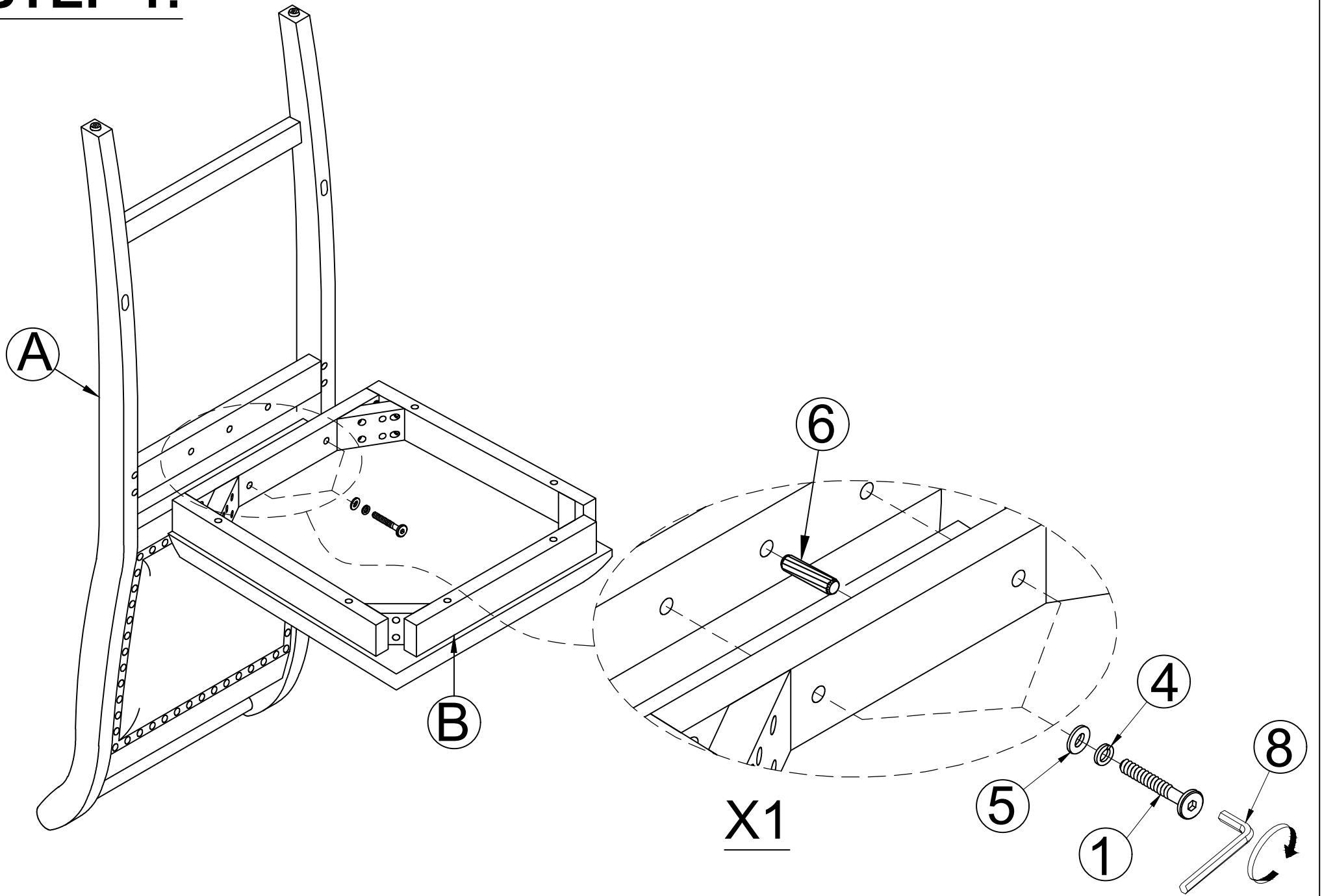


Part List For One

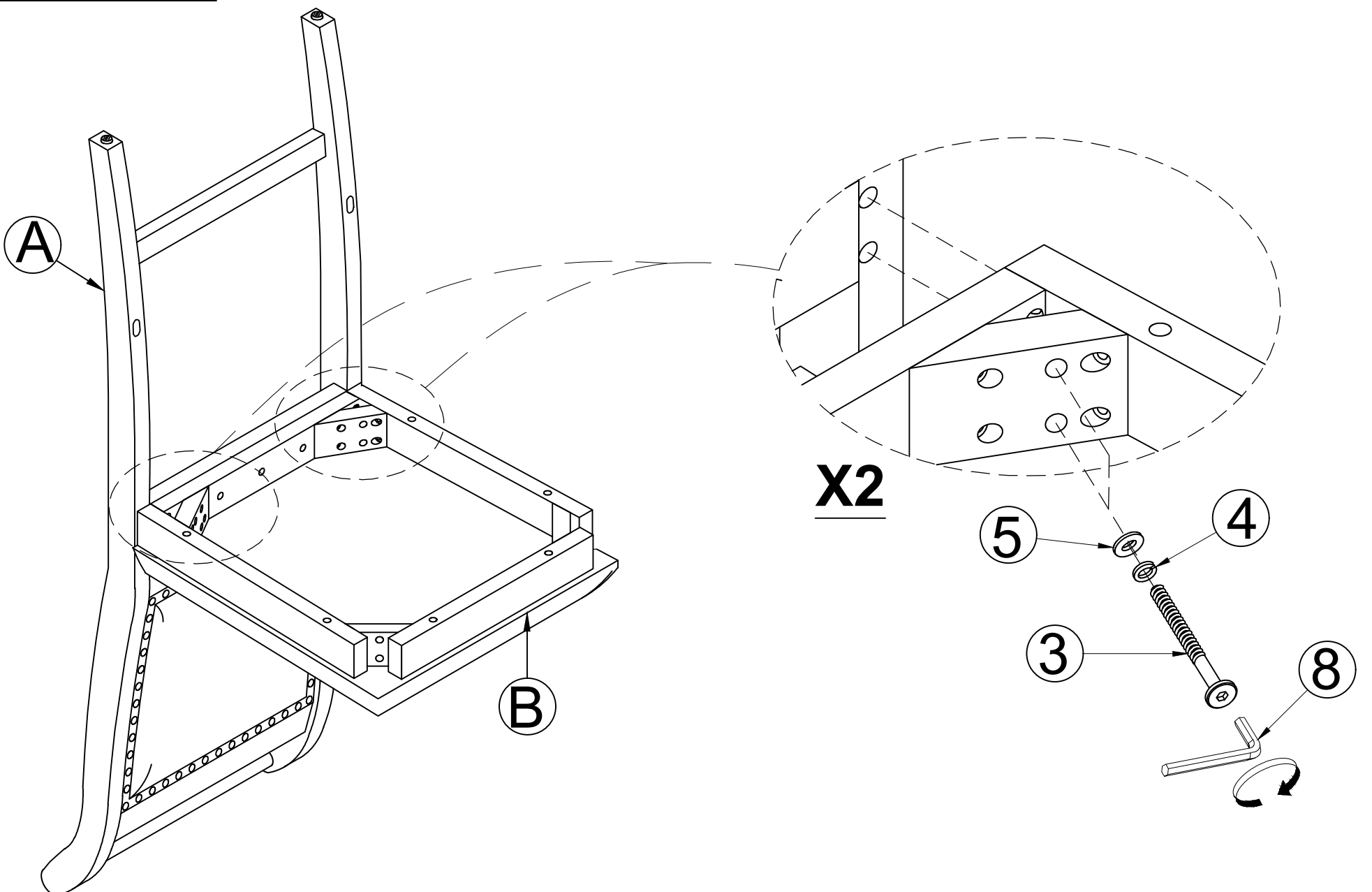
Hardware List For One

<p>(A)</p>  <p>CHAIR BACK (1 PC)</p>	<p>(1)</p>  <p>Ø 1/4" x 40mm BOLT (2 pcs)</p>
<p>(B)</p>  <p>CUSHION SEAT (1 PC)</p>	<p>(2)</p>  <p>Ø 1/4" x 60mm BOLT (4 pcs)</p>
<p>(C)</p>  <p>FRONT LEFT LEG (1 PC)</p>	<p>(3)</p>  <p>Ø 1/4" x 85mm BOLT (4 pcs)</p>
<p>(D)</p>  <p>FRONT RIGHT LEG (1 PC)</p>	<p>(4)</p>  <p>Ø 1/4" x 13mm FLAT WASHER (10 pcs)</p>
<p>(E)</p>  <p>FRONT STRETCHER (1 PC)</p>	<p>(5)</p>  <p>Ø 1/4" x 19mm LOCK WASHER (10 pcs)</p>
<p>(F)</p>  <p>SIDE STRETCHER (2 PCS)</p>	<p>(6)</p>  <p>Ø 10 x 30mm WOOD DOWEL (1 pc)</p>
	<p>(7)</p>  <p>M4 x 40mm SCREW (6 pcs)</p>
	<p>(8)</p>  <p>4mm ALLEN KEY (1 pc)</p>

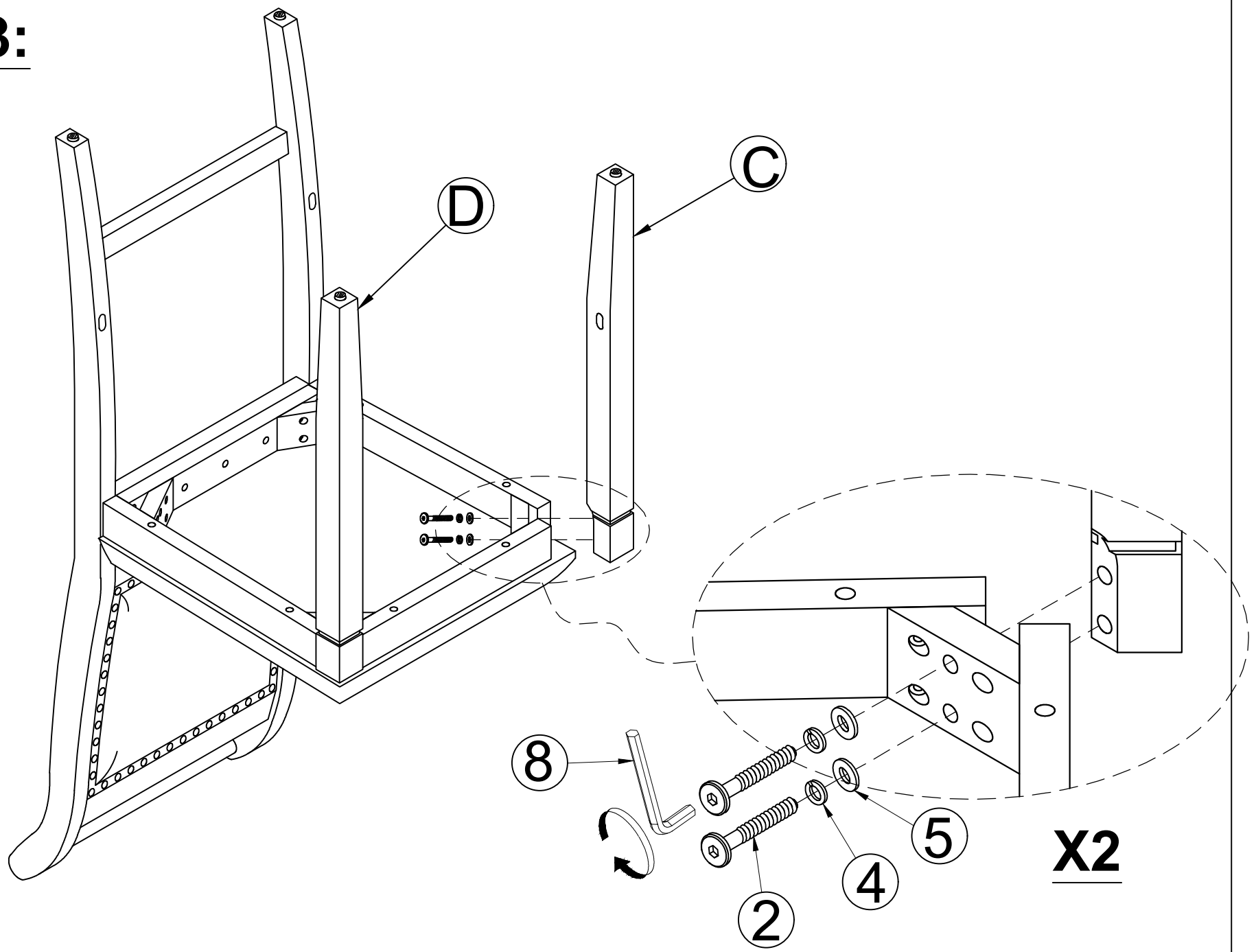
STEP 1:



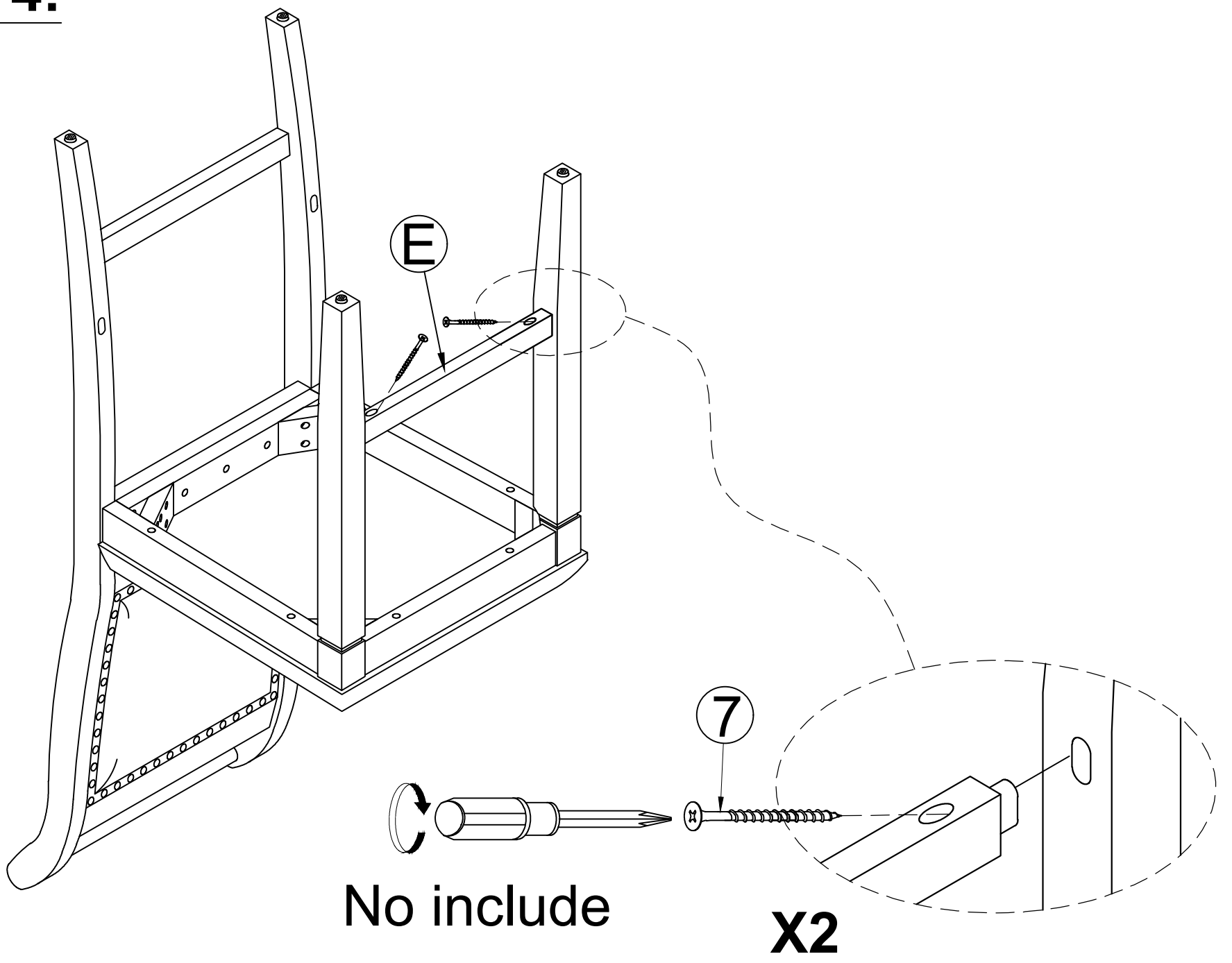
STEP 2:



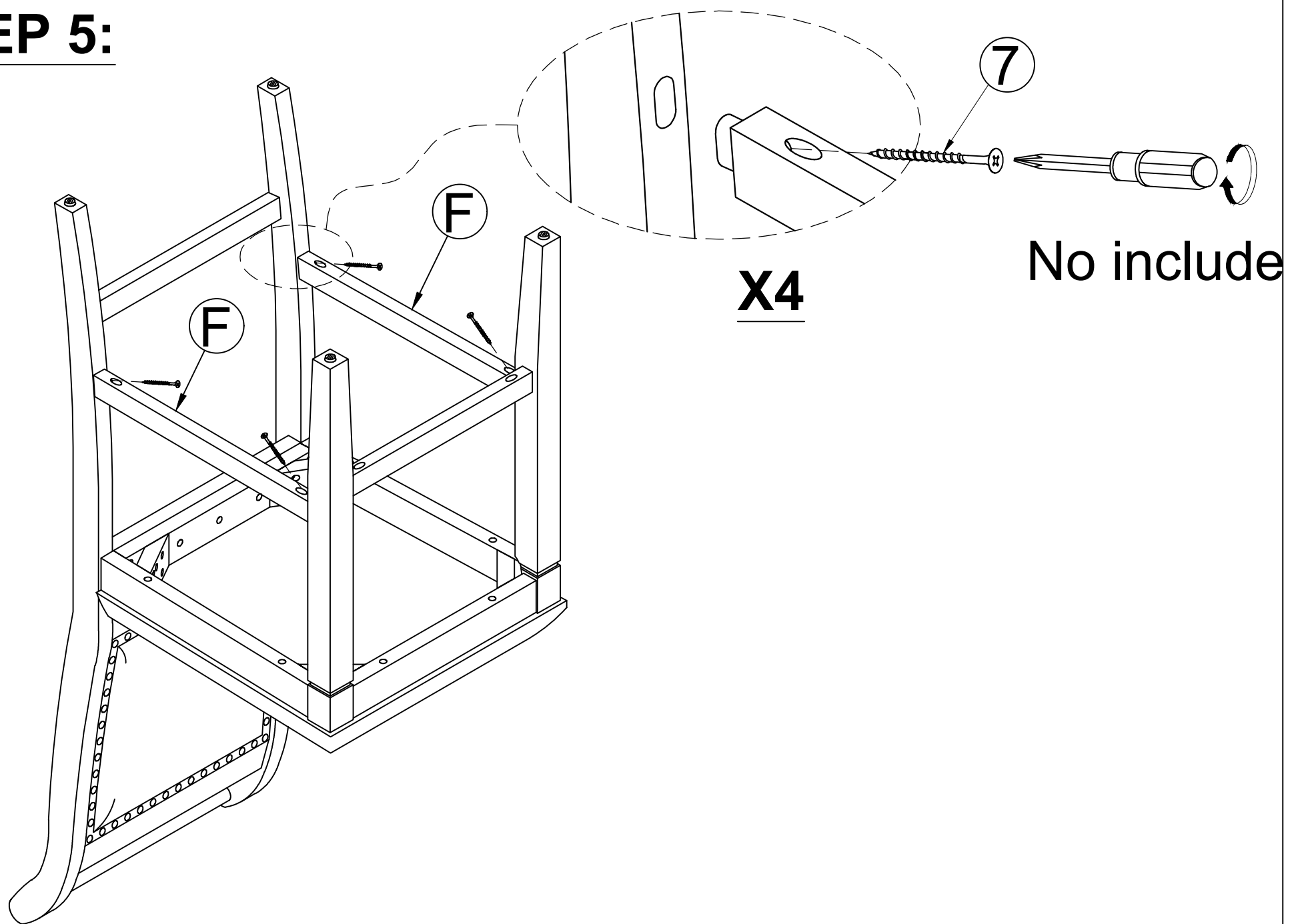
STEP 3:



STEP 4:



STEP 5:



STEP 6:

