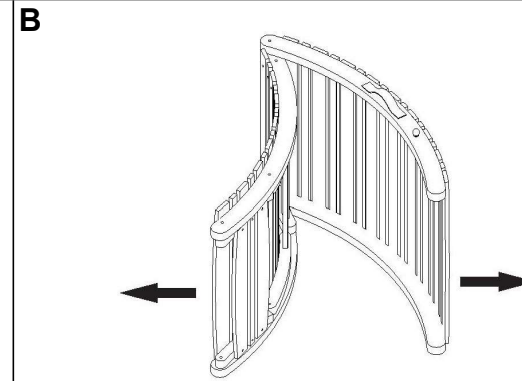
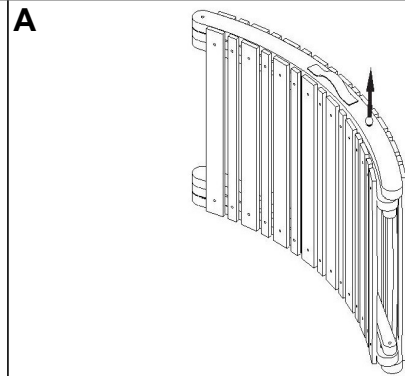
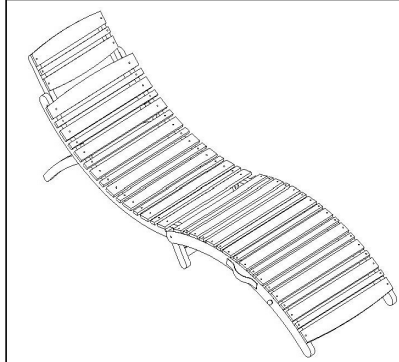


# USER'S GUIDE

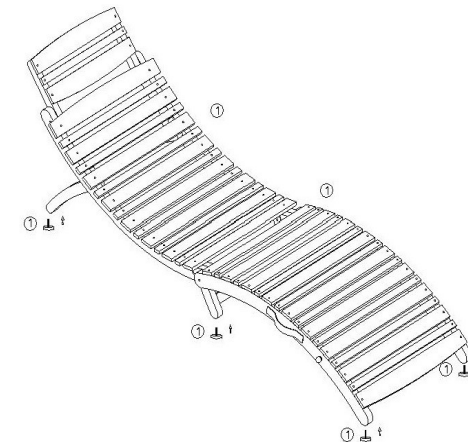
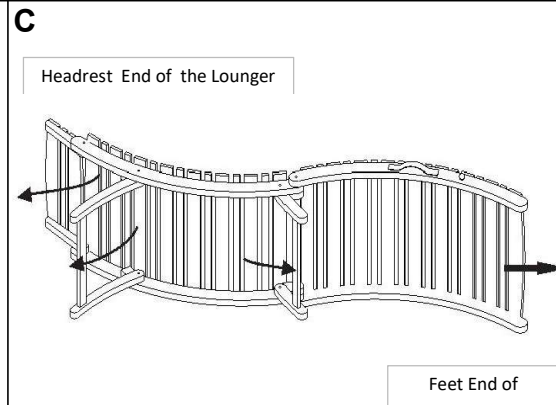
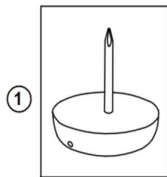
**CAUTION:** You must read this before you proceed.



**UNFOLDED INSTRUCTION**

There is a **PULL KNOB** Handle on the side of the lounger. Pull this knob "skywards" to release the lock-catch.

Unfold to open the back panel and seat panel



**Plastic Glider.**  
There are 7 pcs of Gliders provided.

Open 2 foldable legs and the head panel.

Turn the lounger right side up.  
Identify the best location to affix the PVC Gliders.  
Once in position, use a hammer to gently hammer the Glider into position.  
IT is not mandatory to use Gliders in all ground contact point.  
Gliders are to be use to prevent scratching floor.  
The lounger is ready to be used.