

WS 85

## Features

- Magnifying Makeup Mirror
- Polished Chrome Finish
- Solid Brass Base
- Magnification 5X
- With LED Light
- Hard Wired (Direct Power Supply)
- Double Arm, Extendable
- Free of Distortion




## SKU# | Option:

- WS 85 | Polished Chrome

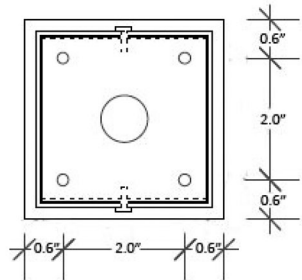
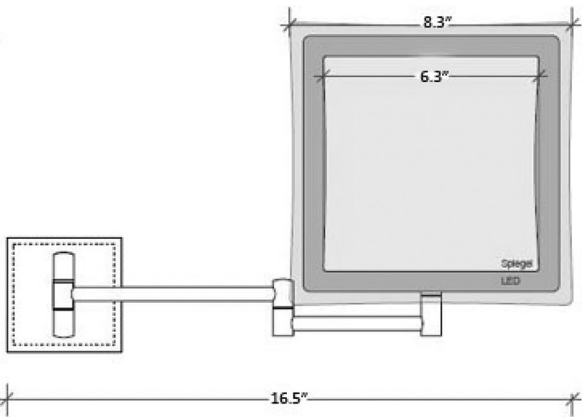
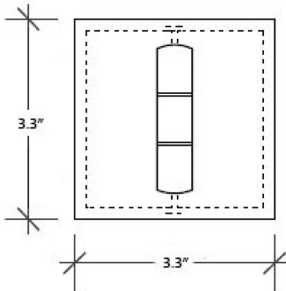
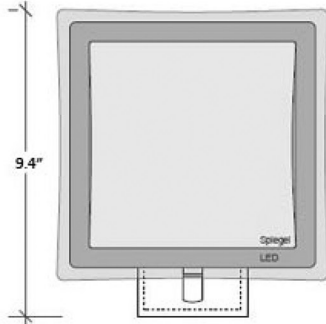
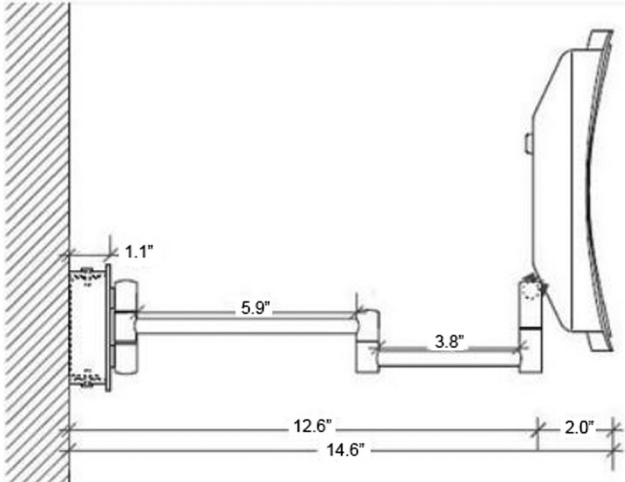
## Finishes:

 Polished Chrome

\* WS Bath Collections reserves the right to revise dimensions or information on this sheet without notice

<b>Collection</b> Spiegel	<b>Model  </b> WS 85	<b>Dimensions Metric</b> <i>1 inch = 2.54 cm</i> <i>1 inch = 25.4 mm</i>	 1051 Lea Drive - Collegeville, PA 19426 Tel. 215 513 9400 - Fax 610 831 0215 <a href="http://www.ws bathcollections.com">www.ws bathcollections.com</a> - <a href="mailto:info@ws bathcollections.com">info@ws bathcollections.com</a>
------------------------------	-------------------------	--	---

# Product Specs Sheets



**Collection**  
Spiegel

**Model |**  
WS 85

**Dimensions Metric**  
1 inch = 2.54 cm  
1 inch = 25.4 mm

**WS<sup>®</sup>**  
**BATH**  
**COLLECTIONS**

1051 Lea Drive - Collegeville, PA 19426  
Tel. 215 513 9400 - Fax 610 831 0215  
[www.ws bathcollections.com](http://www.ws bathcollections.com) - [info@ws bathcollections.com](mailto:info@ws bathcollections.com)