

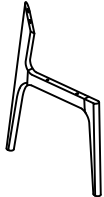
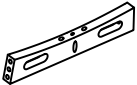
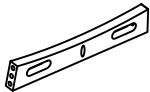





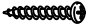




Product Assembly Instructions

DINING CHAIR

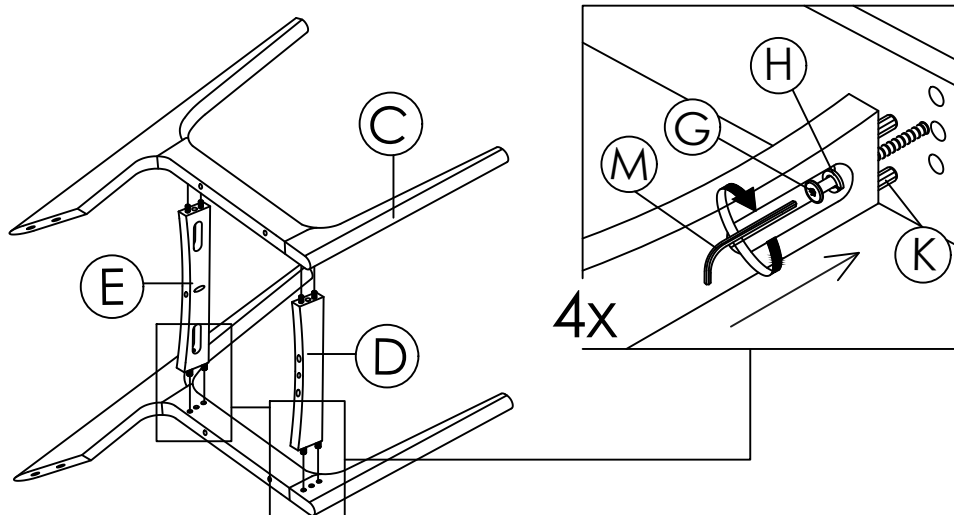
PART LIST

 <p>A : BACKREST x1</p>	 <p>B : CUSHION SEAT x1</p>	 <p>C : SIDE LEG (L & R) x2</p>
 <p>D : FRONT RAIL x1</p>	 <p>E : BACK RAIL x1</p>	

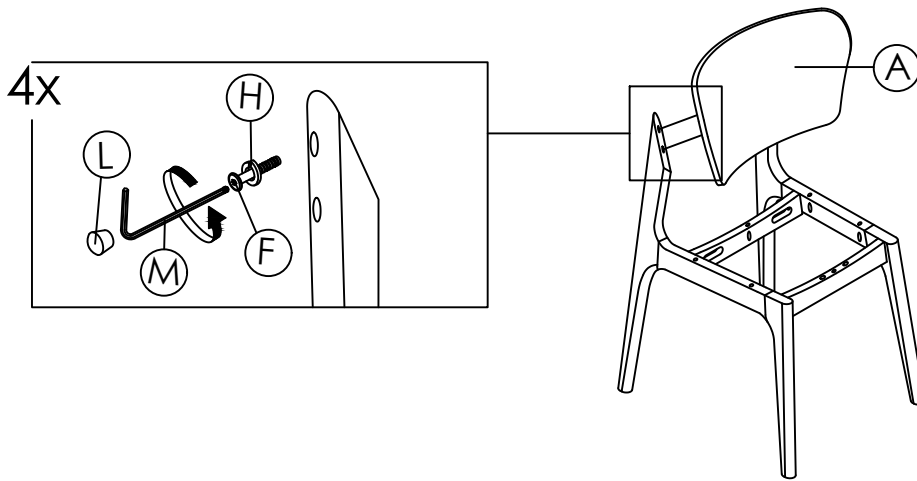
HARDWARE LIST

 <p>F : JCBC SCREW M6 x 25mm x4</p>	 <p>G : JCBC SCREW M6 x 50MM x4</p>	 <p>H : SPRING WASHER 1/4" x8</p>
 <p>I : PAN HEAD WOOD SCREW M5 X 32mm x6</p>	 <p>J : WOOD DOWEL DIA 8 x 25mm x2</p>	 <p>K : WOOD DOWEL DIA 8 x 35mm x8</p>
 <p>L : WOOD BUTTON 14.5MM x4</p>	 <p>M : ALLEN KEY M4 (BALL SHAPE) x1</p>	

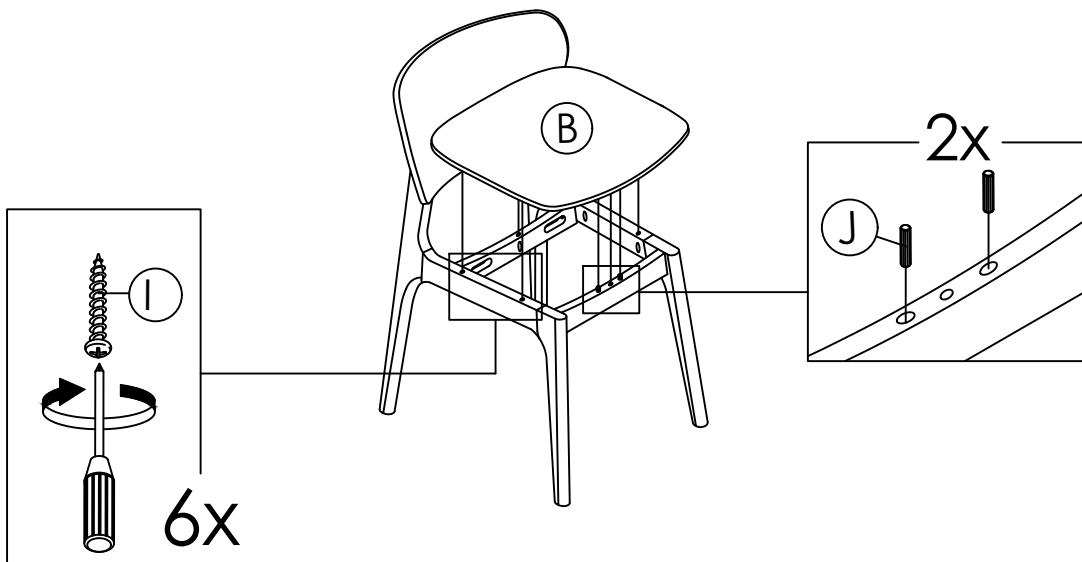
STEP 1



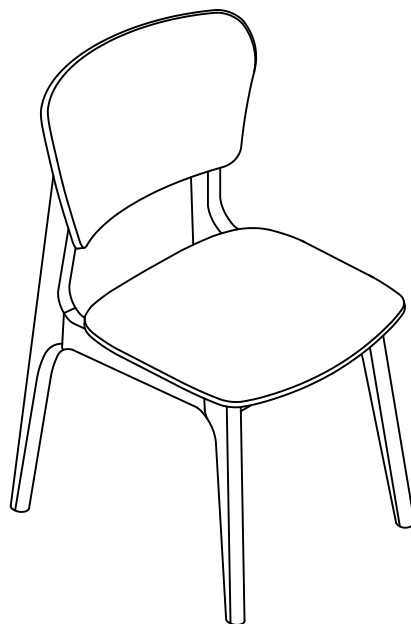
STEP 2



STEP 3



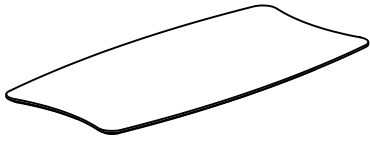
STEP 4



Product Assembly Instructions

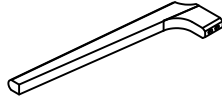
TABLE

PART LIST



A : TABLE TOP

x1



B : TABLE LEG

x4

HARDWARE LIST



C : JCBB SCREW M8 x 80MM

x8



D : JCBB SCREW M8 x 60MM

x4



E : SPRING WASHER 5/16"

x12



F : FLAT WASHER 5/16"

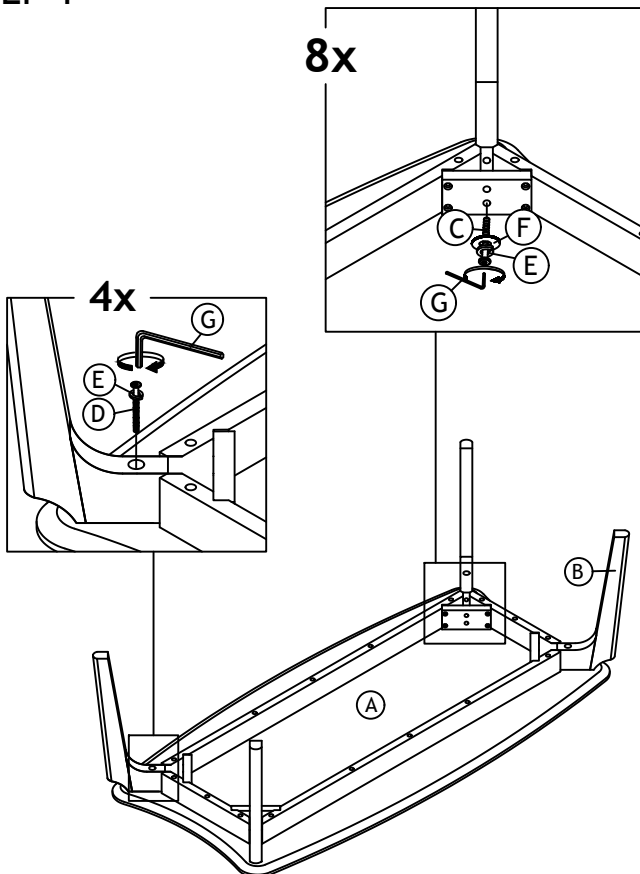
x8



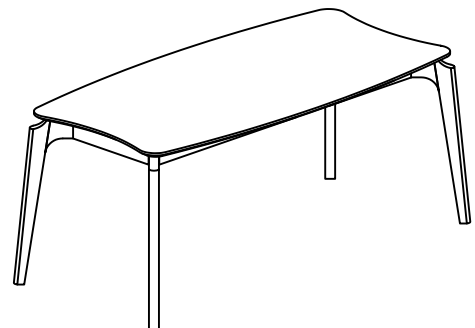
G : ALLEN KEY M5

x1

STEP 1



STEP 2



COMPLETED ASSEMBLY