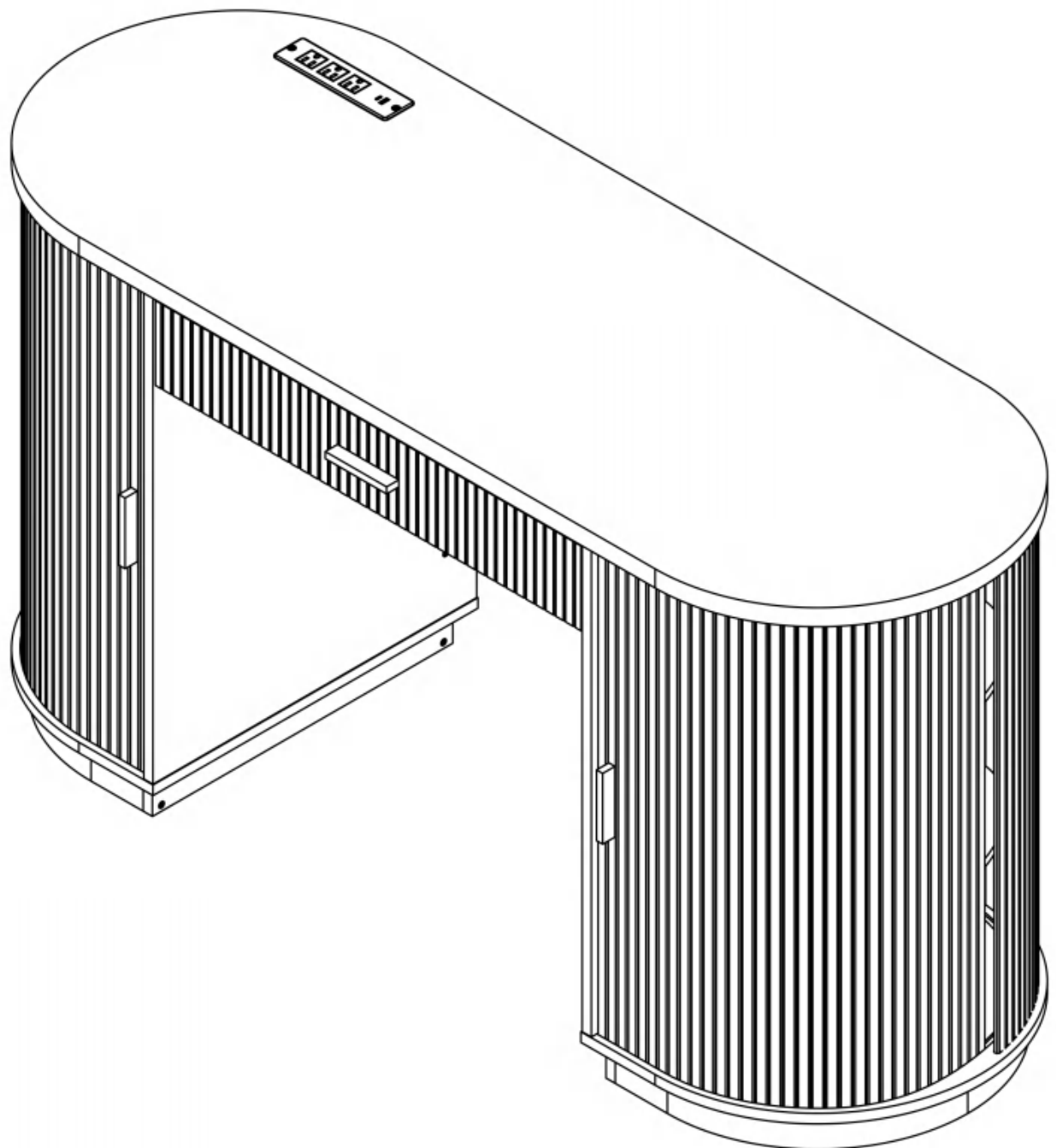


# Tambour Door Computer Desk

Assembly Instruction



## Parts List

### INTRODUCTION

Thank you for purchasing our products. Please read the instructions carefully before installation and keep it in a safe place for future reference. If you need any assistance or support, please feel free to contact our customer support team.

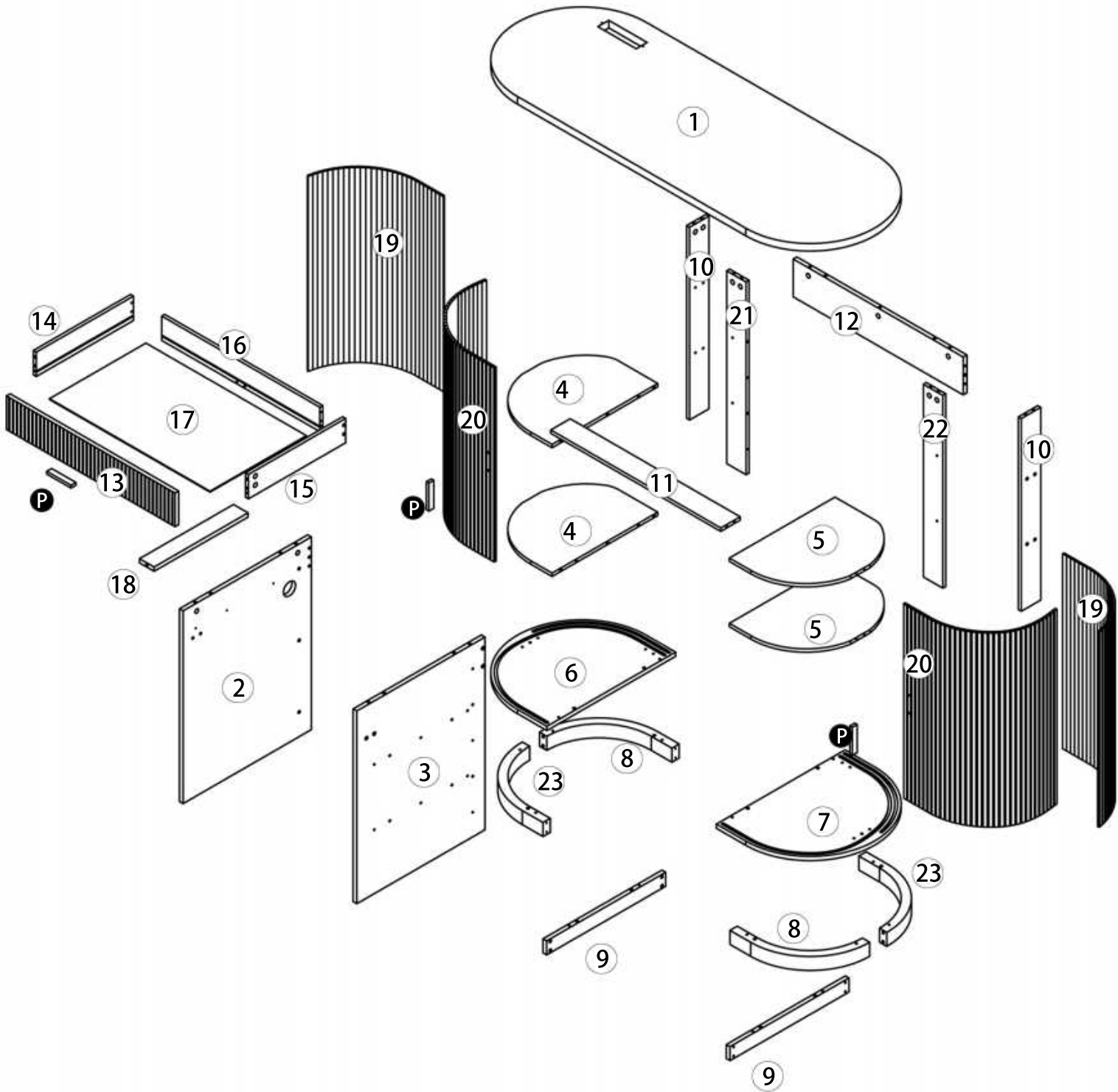
### PRECAUTIONS

1. There are many components and accessories in the package. Each component and accessory is labeled with a letter or a number, check carefully before using any of them. Keep them away from children to prevent accidents.
2. Please install the product on a clean and soft underlay (such as carpet or cardboard) to avoid scratching or damaging the surface of the product.
3. The main components of the product is relatively heavy. Please pay attention to safety during installation.
4. The product is not stable during installation. Please do not move it randomly before it is completely installed.
5. This product requires two people to install.
6. If you have any questions during installation, please contact the customer service in time.


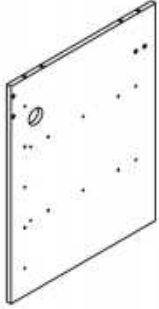
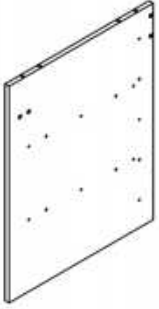
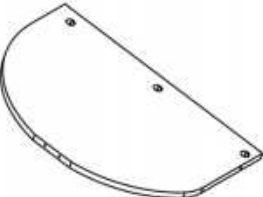




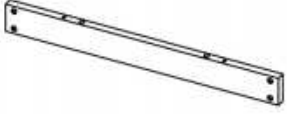


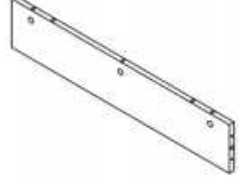
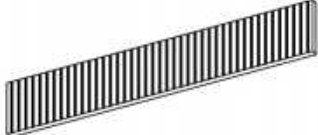


**\*PLEASE BE SURE TO FOLLOW THE INSTALLATION STEPS IN THE MANUAL TO AVOID UNNECESSARY LOSSES CAUSED BY IMPROPER INSTALLATION.**

**\*IF YOU NEED FURTHER ASSISTANCE, PLEASE CONTACT THE CUSTOMER SERVICE ONLINE.**


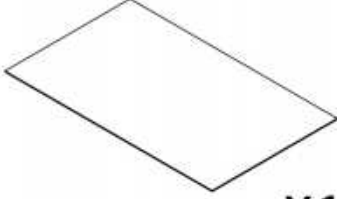
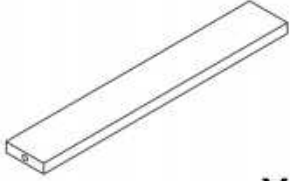

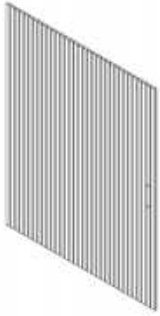


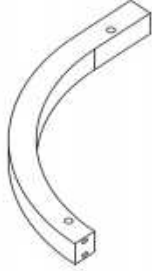
# Parts List






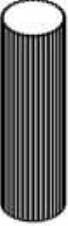


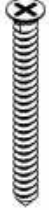




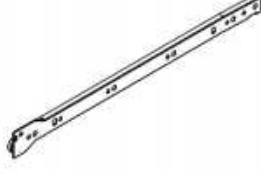



## Parts List

<p>①</p>  <p>X1</p>	<p>②</p>  <p>X1</p>	<p>③</p>  <p>X1</p>
<p>④</p>  <p>X2</p>	<p>⑤</p>  <p>X2</p>	<p>⑥</p>  <p>X1</p>
<p>⑦</p>  <p>X1</p>	<p>⑧</p>  <p>X2</p>	<p>⑨</p>  <p>X2</p>
<p>⑩</p>  <p>X2</p>	<p>⑪</p>  <p>X1</p>	<p>⑫</p>  <p>X1</p>
<p>⑬</p>  <p>X1</p>	<p>⑭</p>  <p>X1</p>	<p>⑮</p>  <p>X1</p>






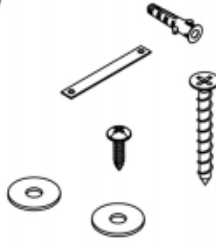
# Parts List

<p>16</p>  <p>X1</p>	<p>17</p>  <p>X1</p>	<p>18</p>  <p>X1</p>
<p>19</p>  <p>X2</p>	<p>20</p>  <p>X2</p>	<p>21</p>  <p>X1</p>
<p>22</p>  <p>X1</p>	<p>23</p>  <p>X2</p>	

## Hardware list

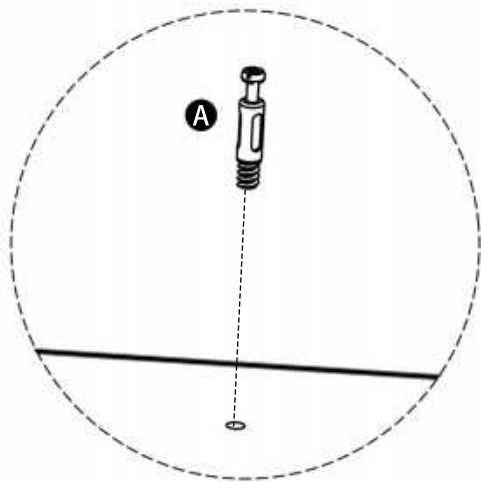
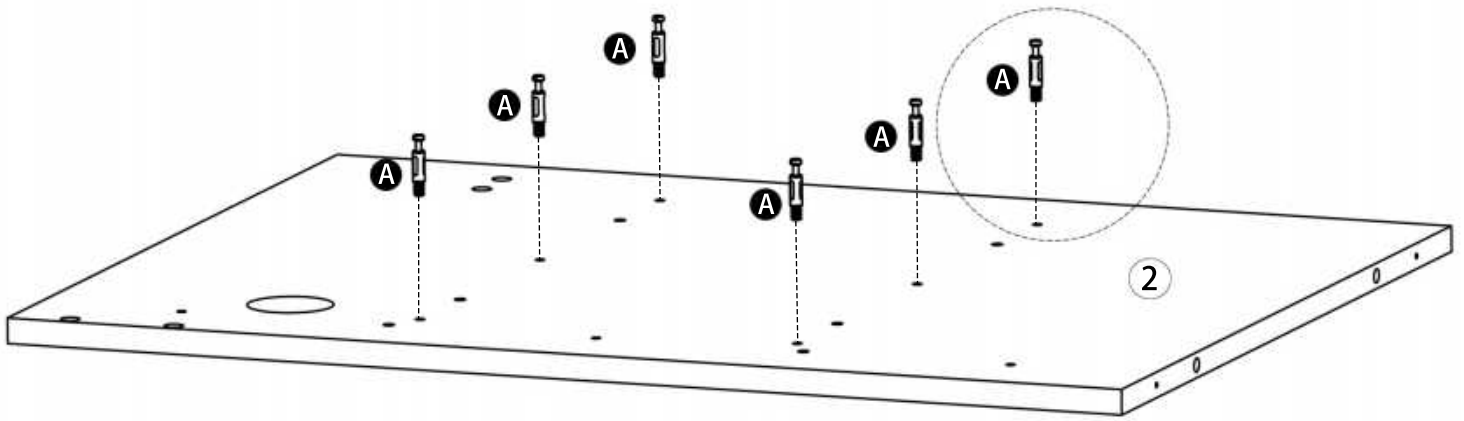
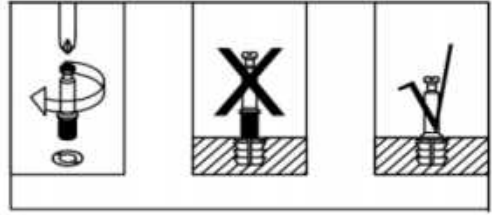
<p><b>A</b></p>  <p>6.5x35mm <b>x32</b></p>	<p><b>B</b></p>  <p>φ 15x9.5mm <b>x32</b></p>	<p><b>C</b></p>  <p>6x30mm <b>x14</b></p>
<p><b>D</b></p>  <p>8x30mm <b>x24</b></p>	<p><b>E</b></p>  <p>3.5x14mm <b>x12</b></p>	<p><b>F</b></p>  <p>4x35mm <b>x44</b></p>
<p><b>G</b></p>  <p>4x50mm <b>x12</b></p>	<p><b>H</b></p>  <p>4x20mm <b>x4</b></p>	<p><b>I</b></p>  <p>4x25mm <b>x2</b></p>
<p><b>J</b></p>  <p>3x12mm <b>x2</b></p>	<p><b>K</b> CL</p>  <p>400mm <b>x1</b></p>	<p><b>K</b> CR</p>  <p>400mm <b>x1</b></p>
<p><b>K</b> DL</p>  <p>400mm <b>x1</b></p>	<p><b>K</b> DR</p>  <p>400mm <b>x1</b></p>	<p><b>L</b></p>  <p>φ 21 <b>x27</b></p>

## Hardware list



<p><b>M</b></p>  <p><math>\varnothing 6.3 \times 50 \text{mm}</math> <b>x8</b></p>	<p><b>N</b></p>  <p>185x50x47mm <b>x1</b></p>	<p><b>O</b></p>  <p>M4x105mm <b>x1</b></p>
<p><b>P</b></p>  <p><b>x3</b></p>	<p><b>Q</b></p>  <p><b>x8</b></p>	<p><b>R</b></p>  <p><b>x2</b></p>

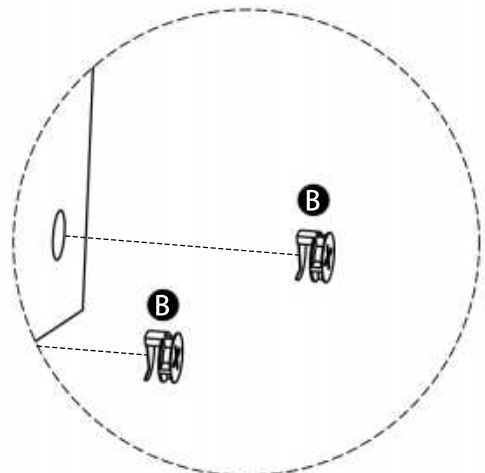
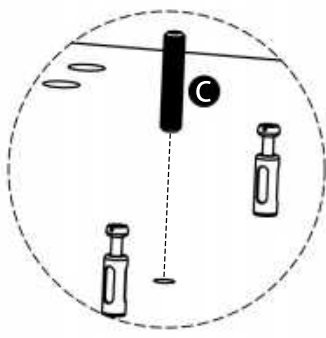
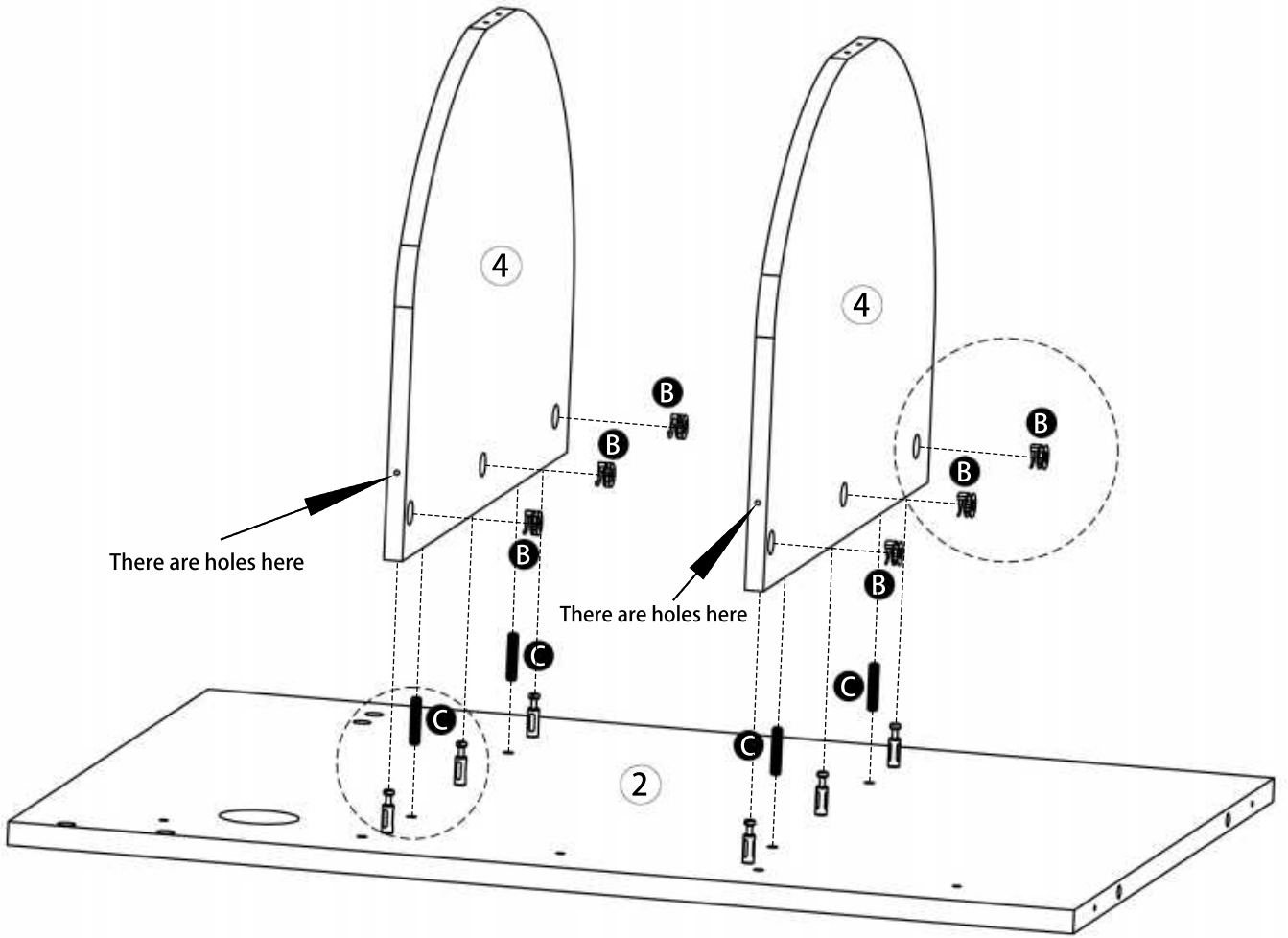
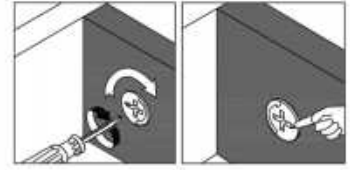
# STEP 1

 **A** X6



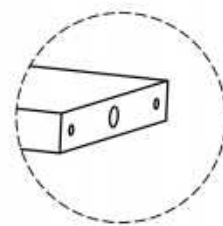
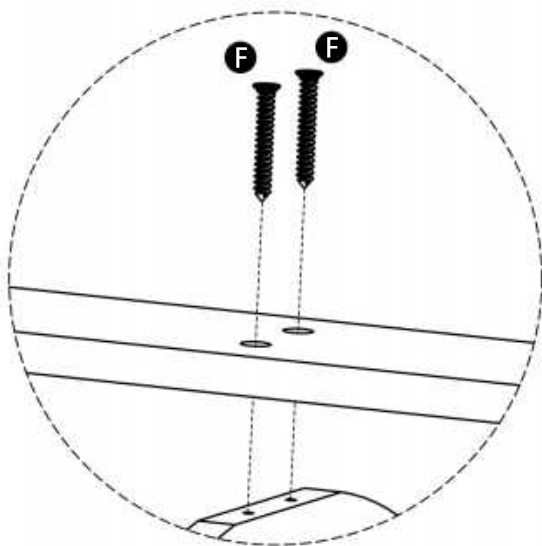
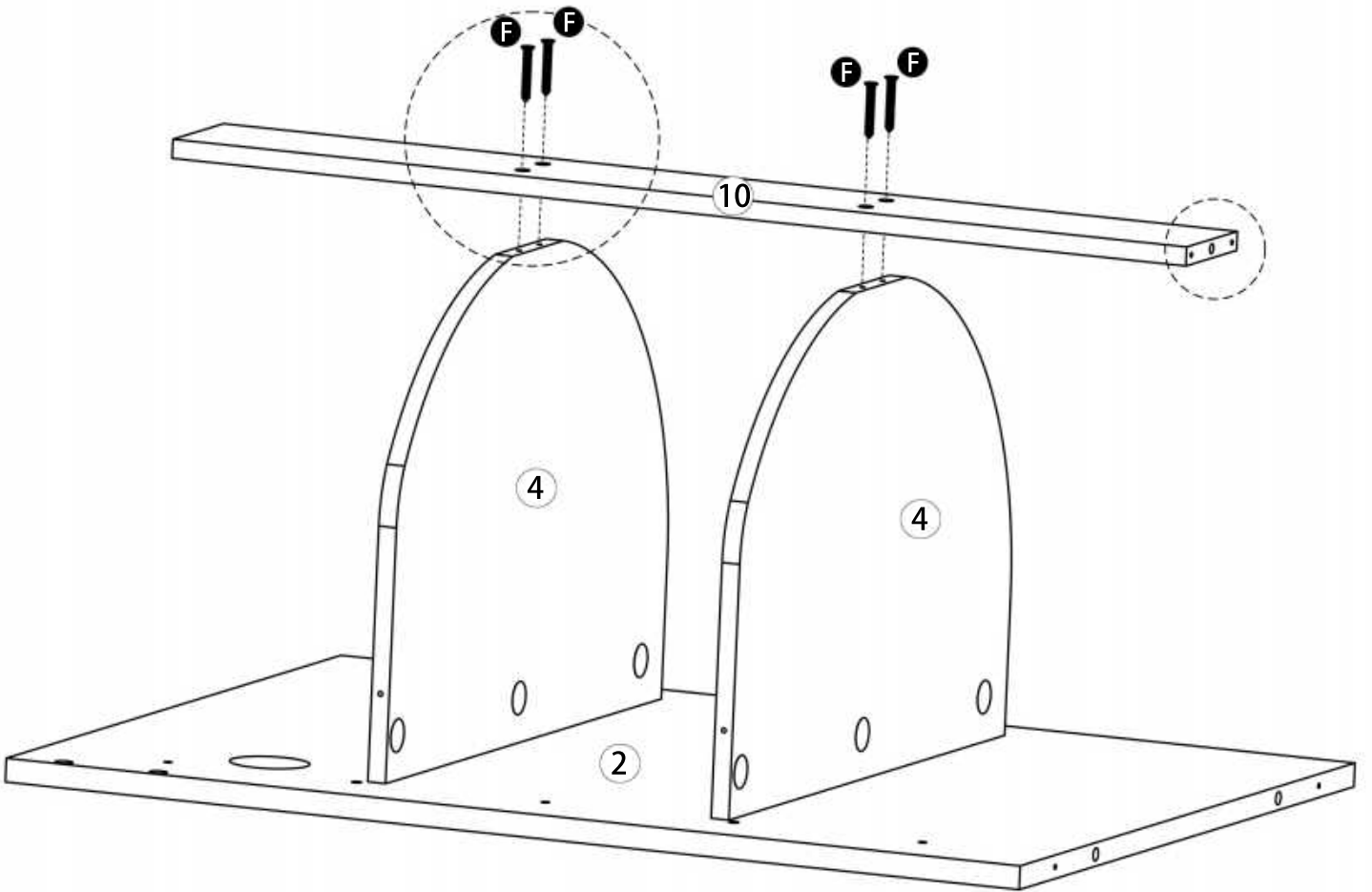
# STEP 2

-  **B** X6
-  **C** X4





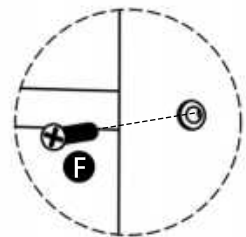
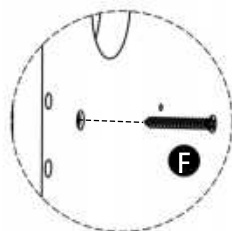
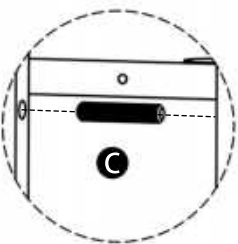
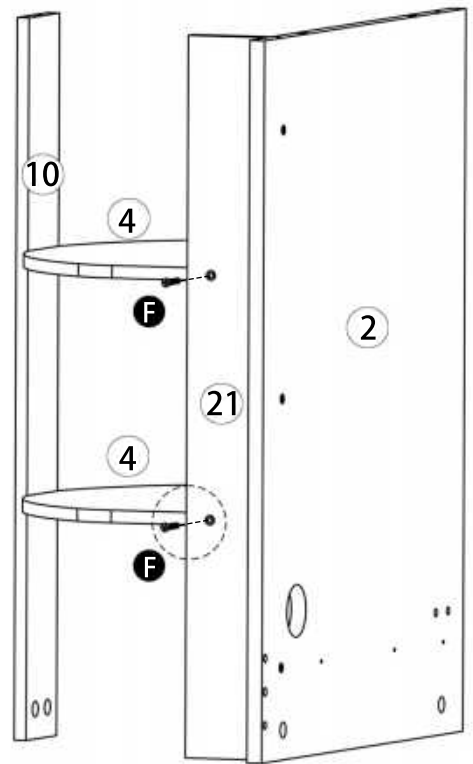
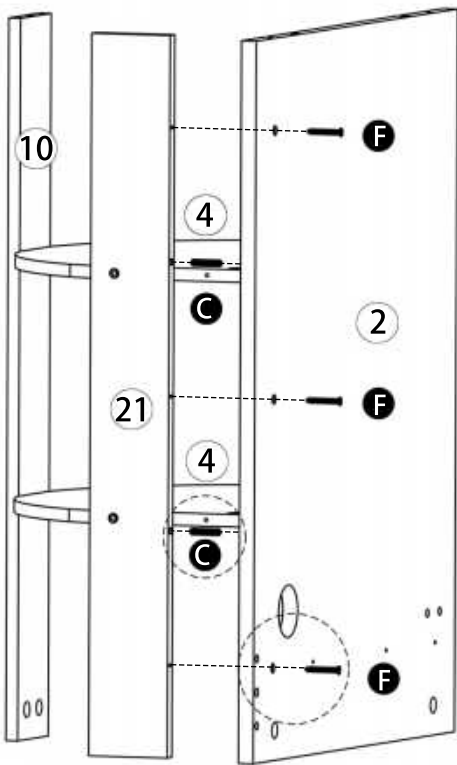
### STEP 3

 **F** X4






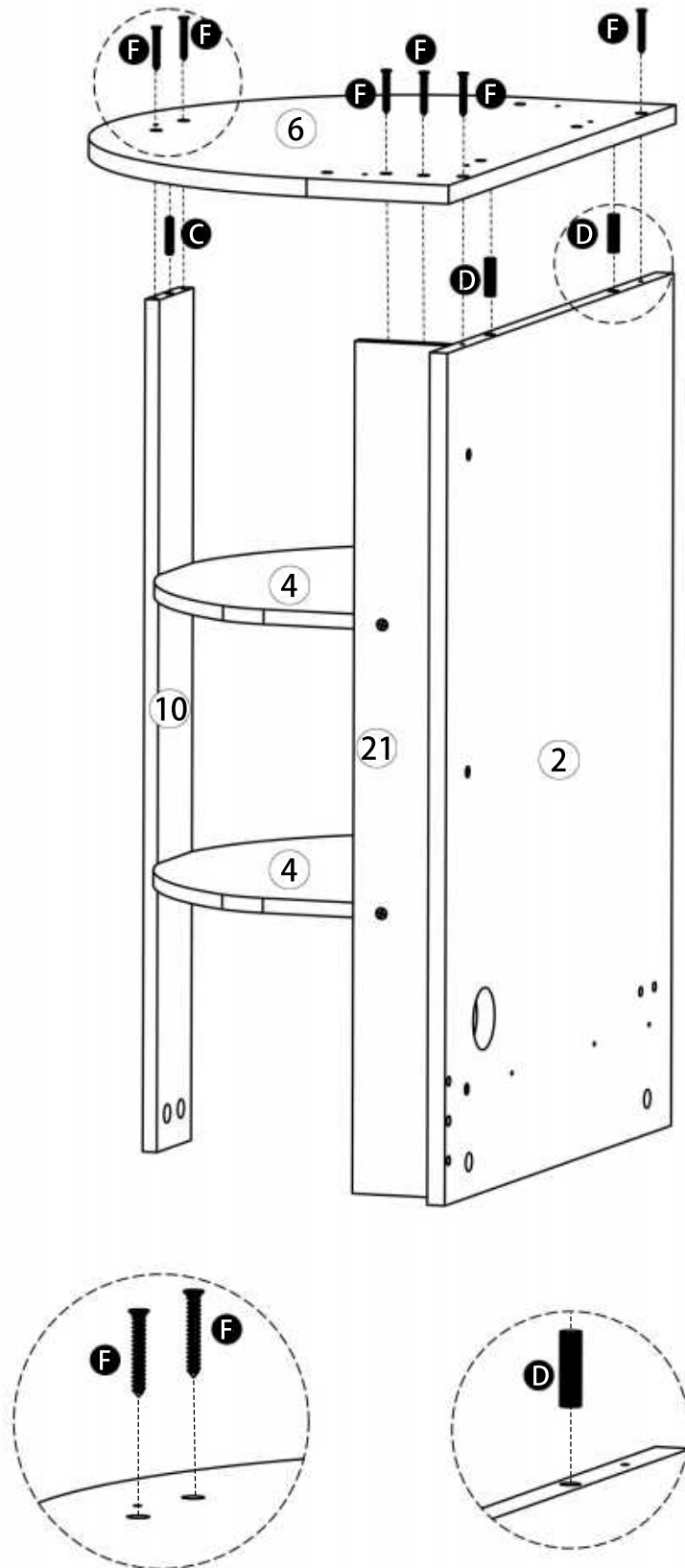
# STEP 4

-  **F** X5
-  **C** X2







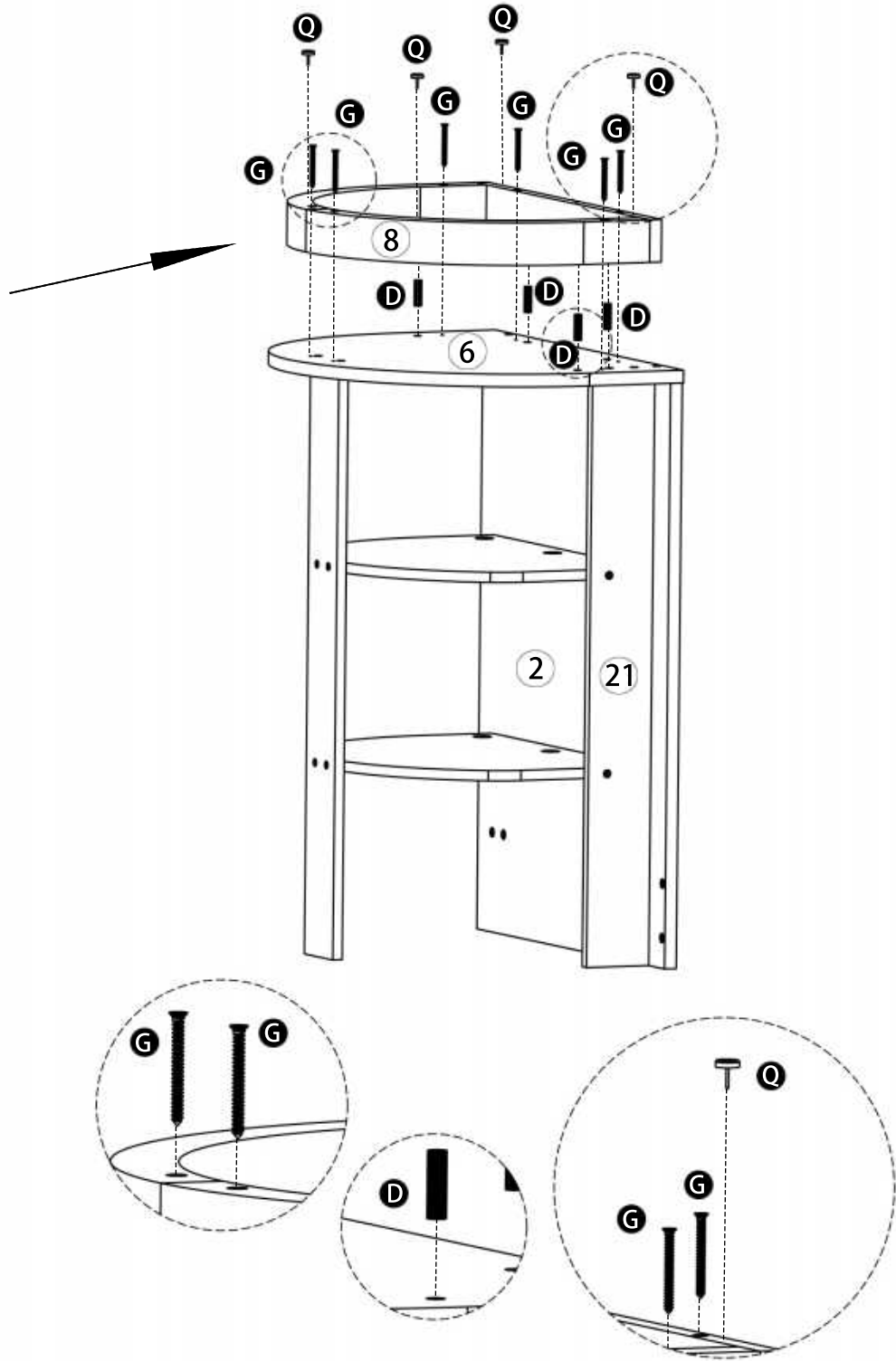
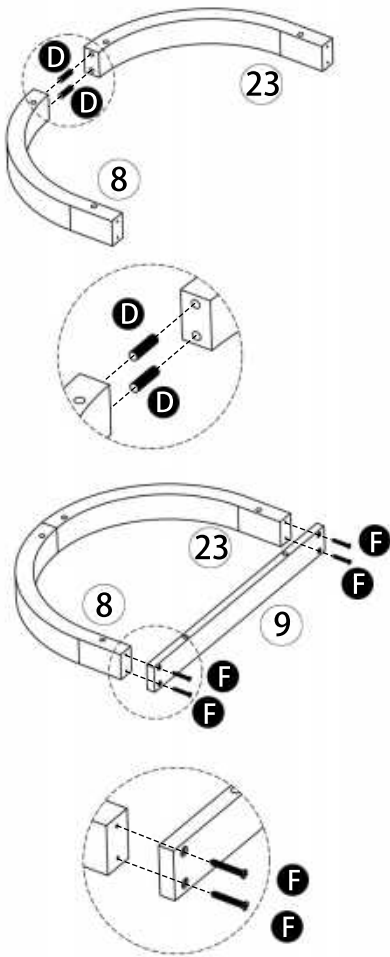
# STEP 5

-  **F** X6
-  **C** X1
-  **D** X2





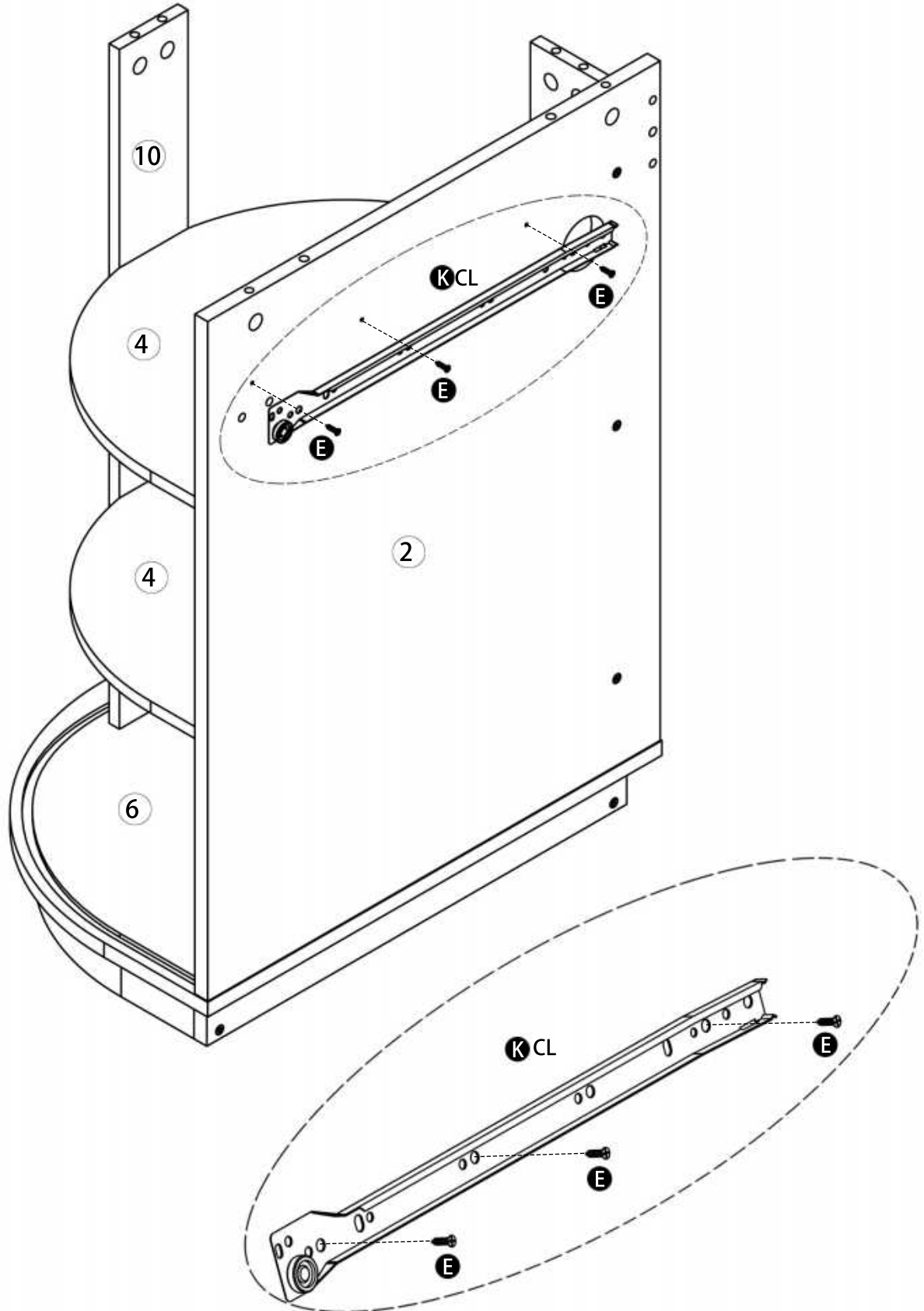
# STEP 6

-  **D** X6
-  **F** X4
-  **G** X6
-  **Q** X4



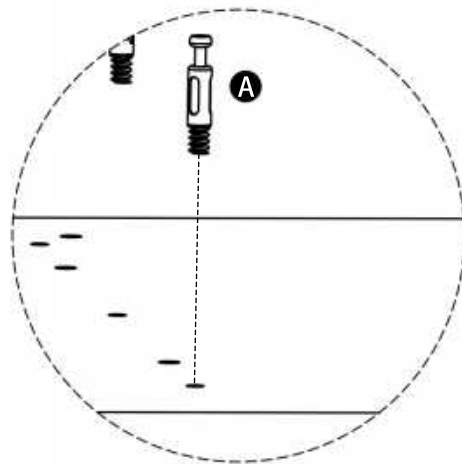
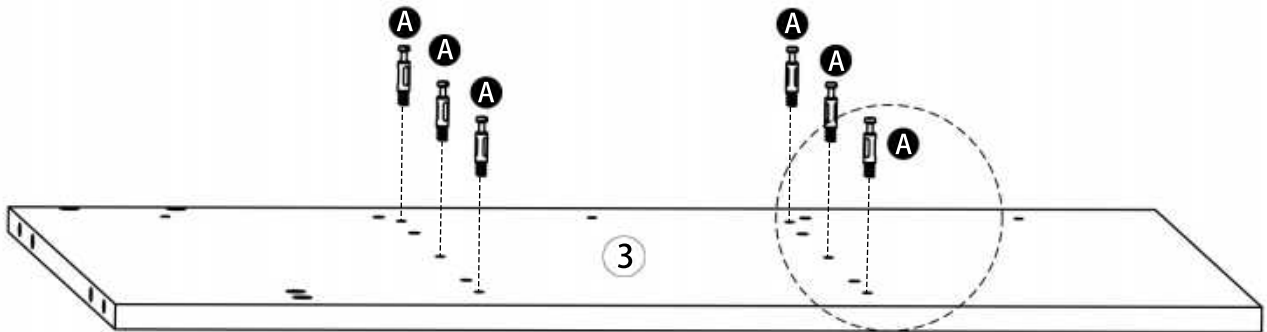
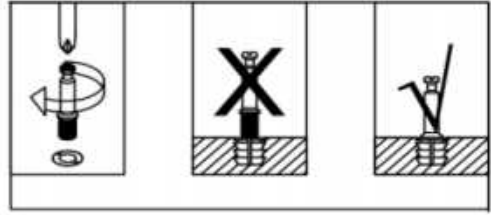
# STEP 7

-  **E** X3
-  **K CL** X1





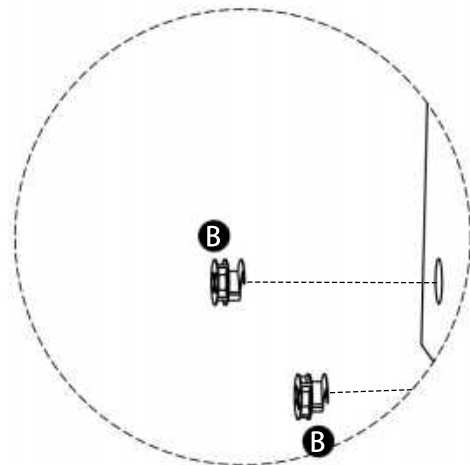
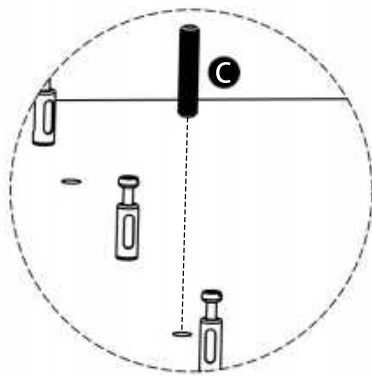
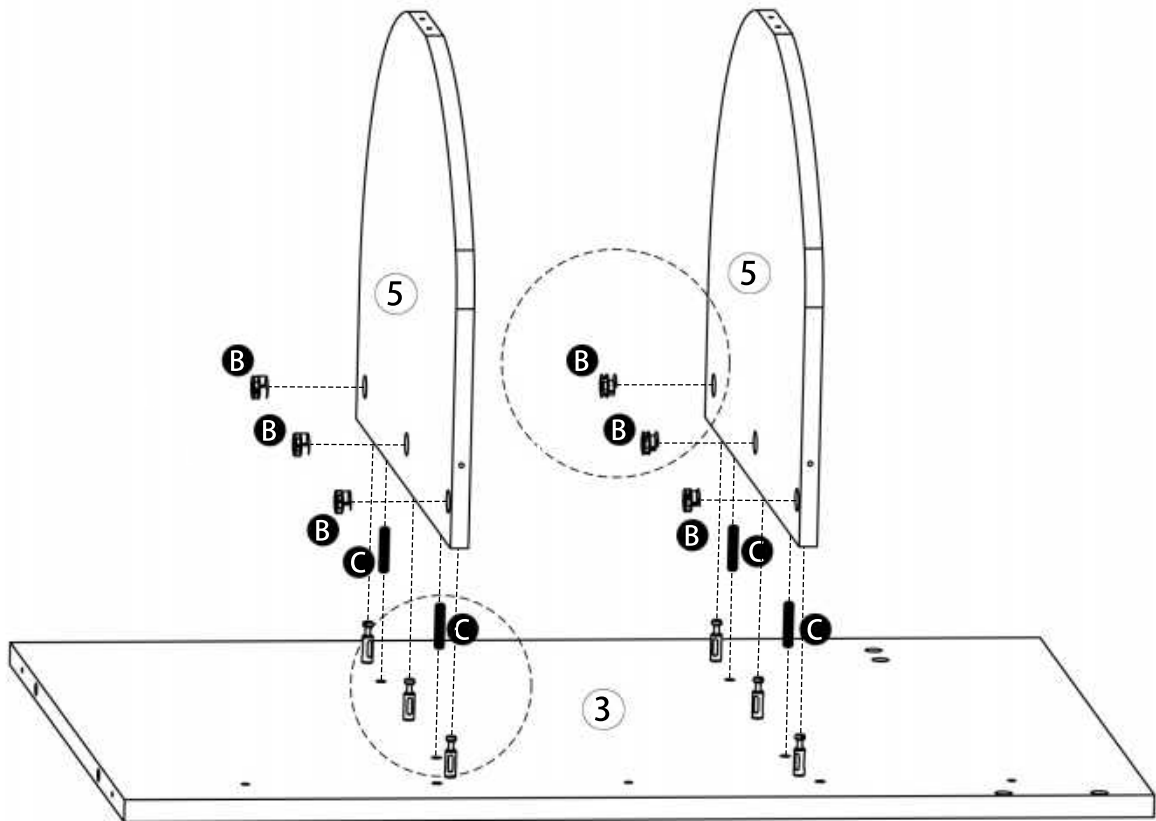
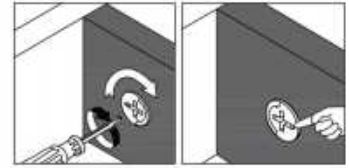
# STEP 8

 **A** X6



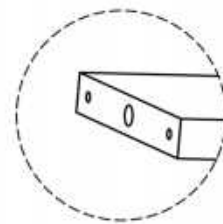
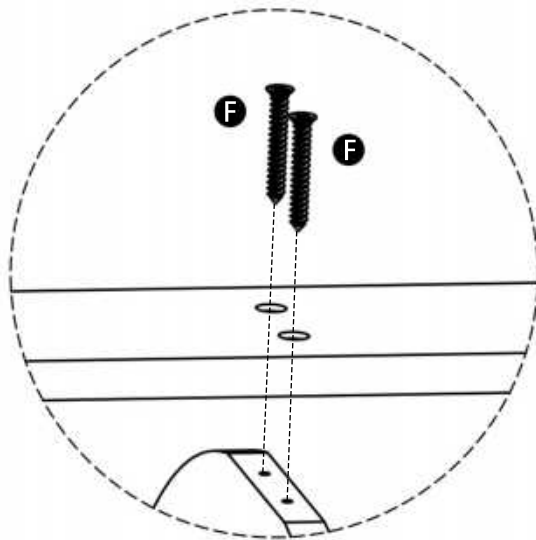
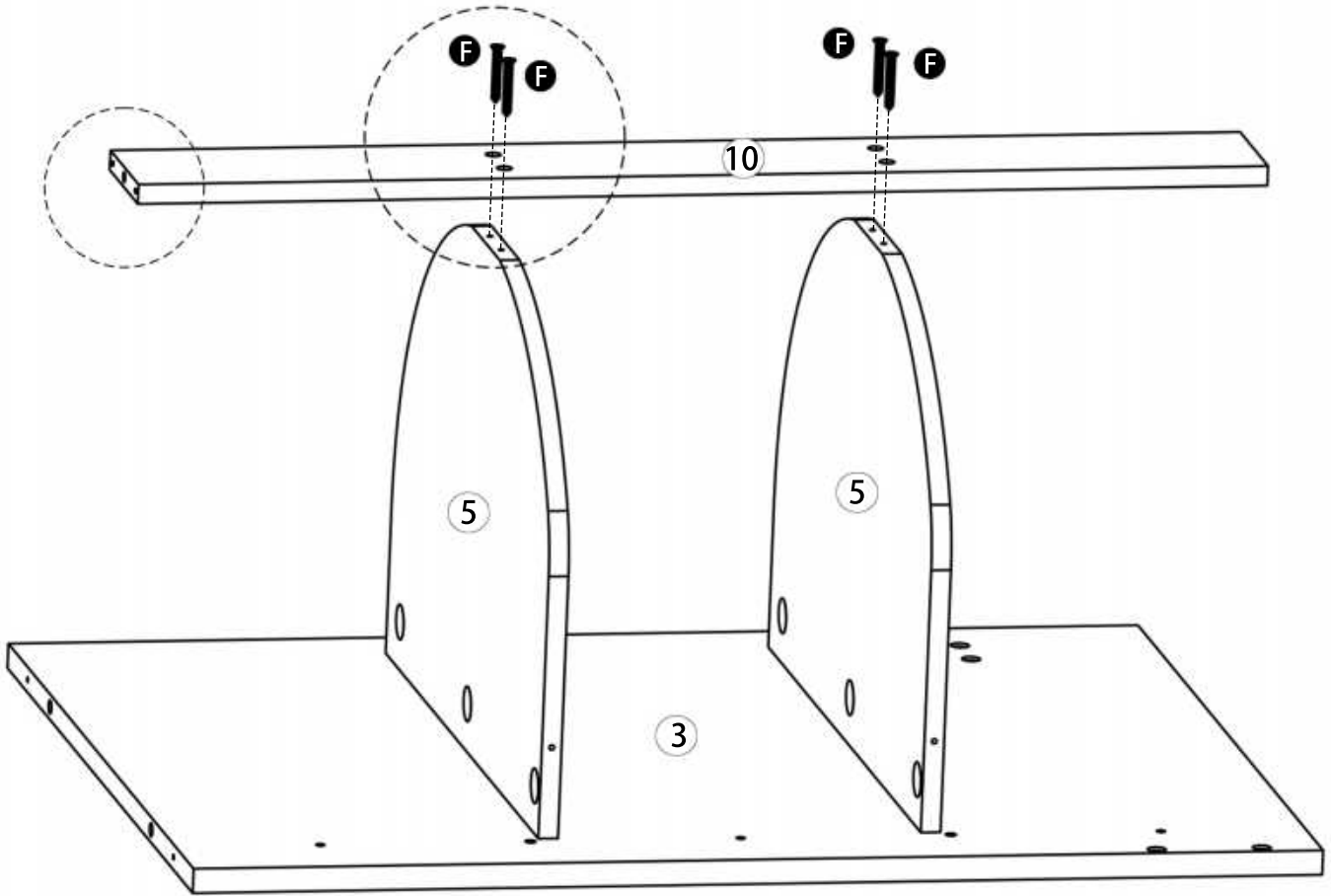
# STEP 9

-  **B** X6
-  **C** X4





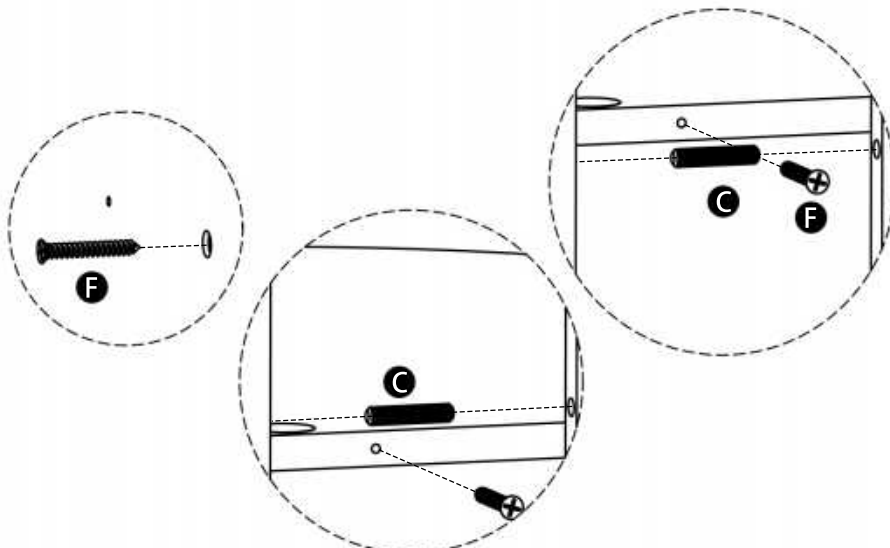
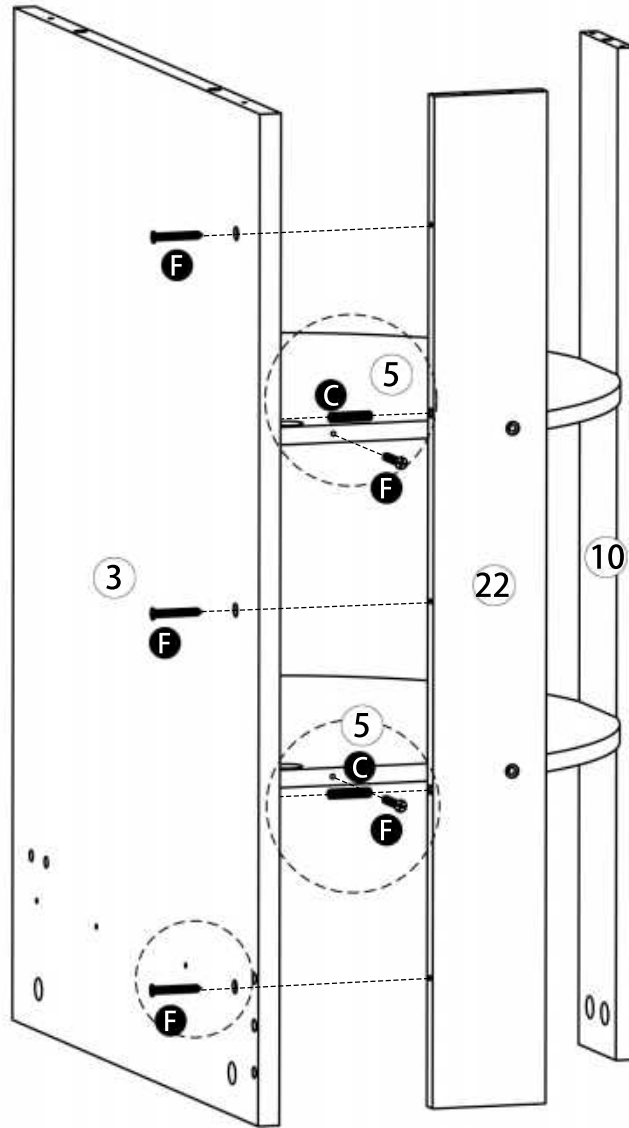
# STEP 10

 **F** X4






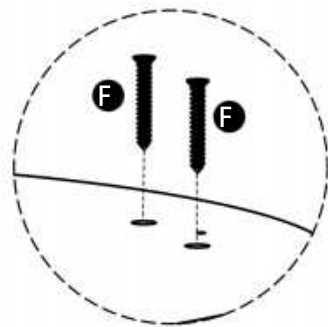
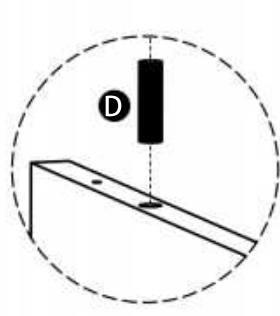
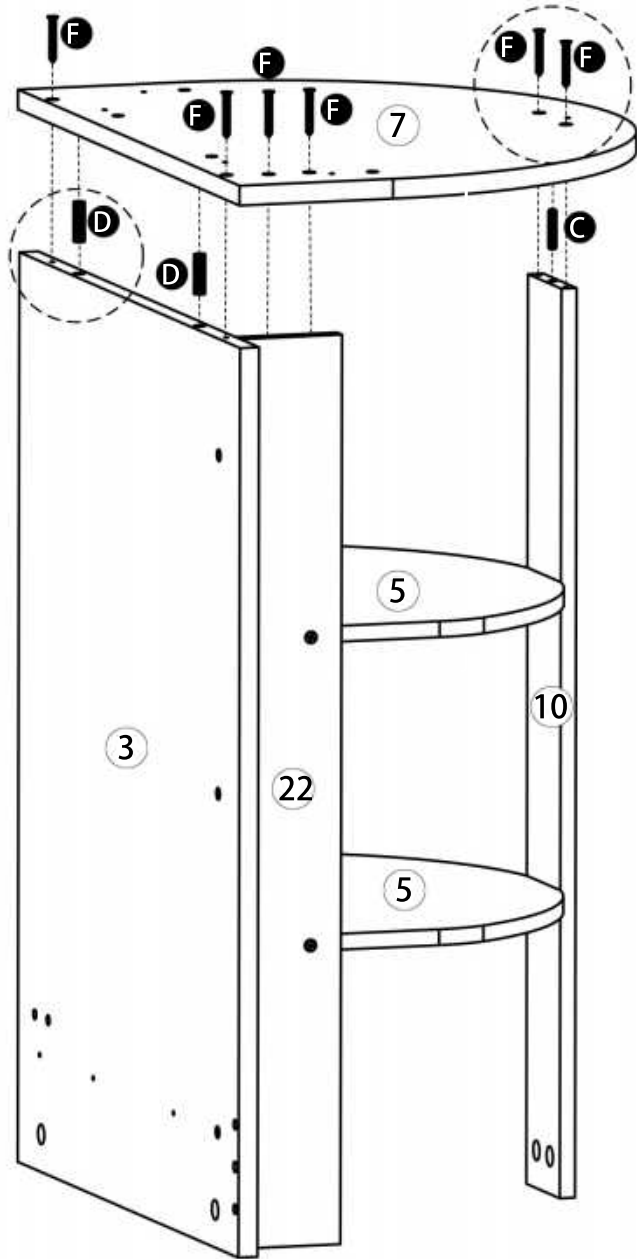
# STEP 11

-  **F** X5
-  **C** X2



# STEP 12

-  **F** X6
-  **C** X1
-  **D** X2



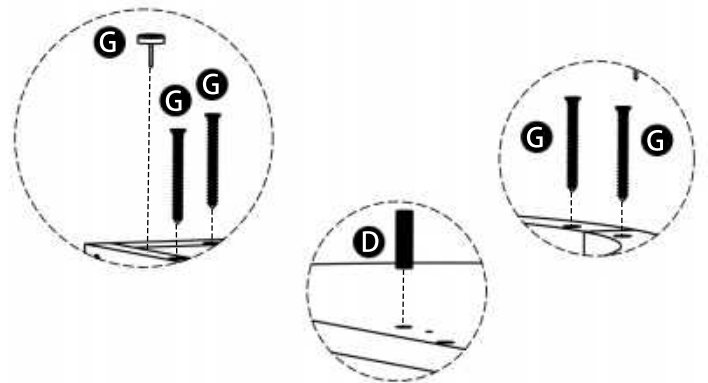
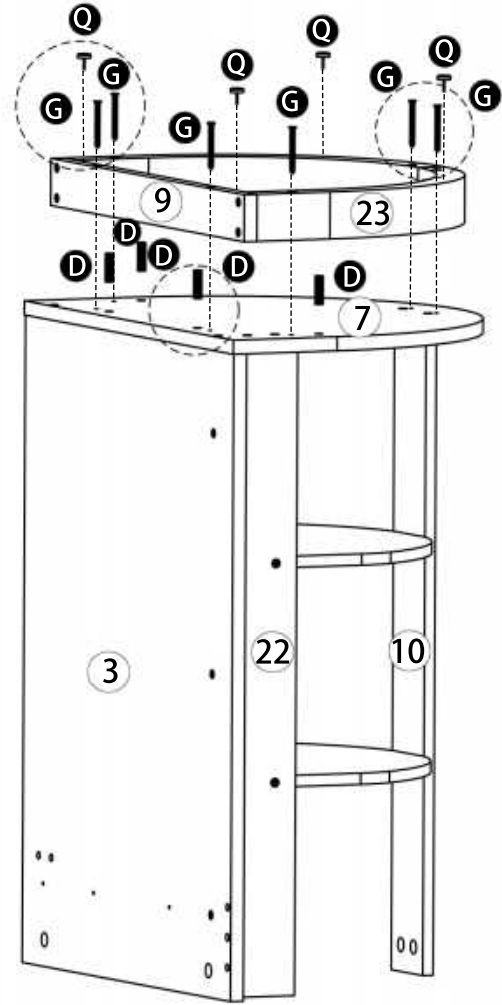
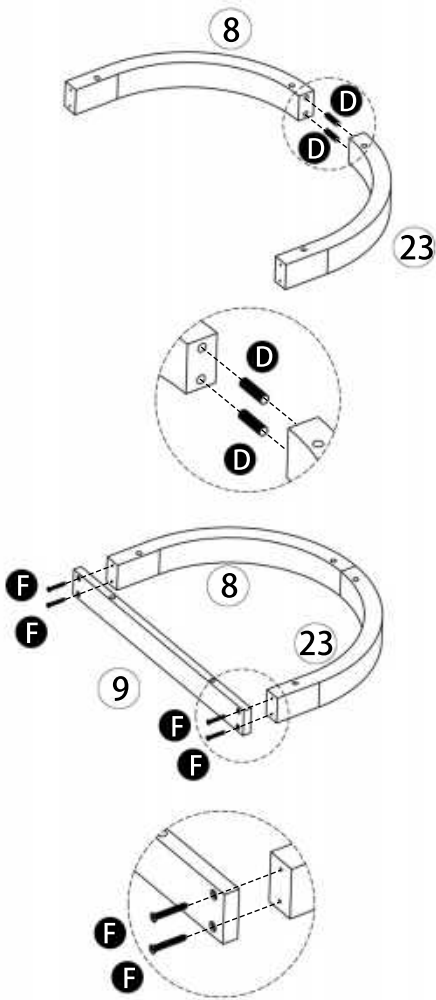
# STEP 13

 **D** X6



 **F** X4

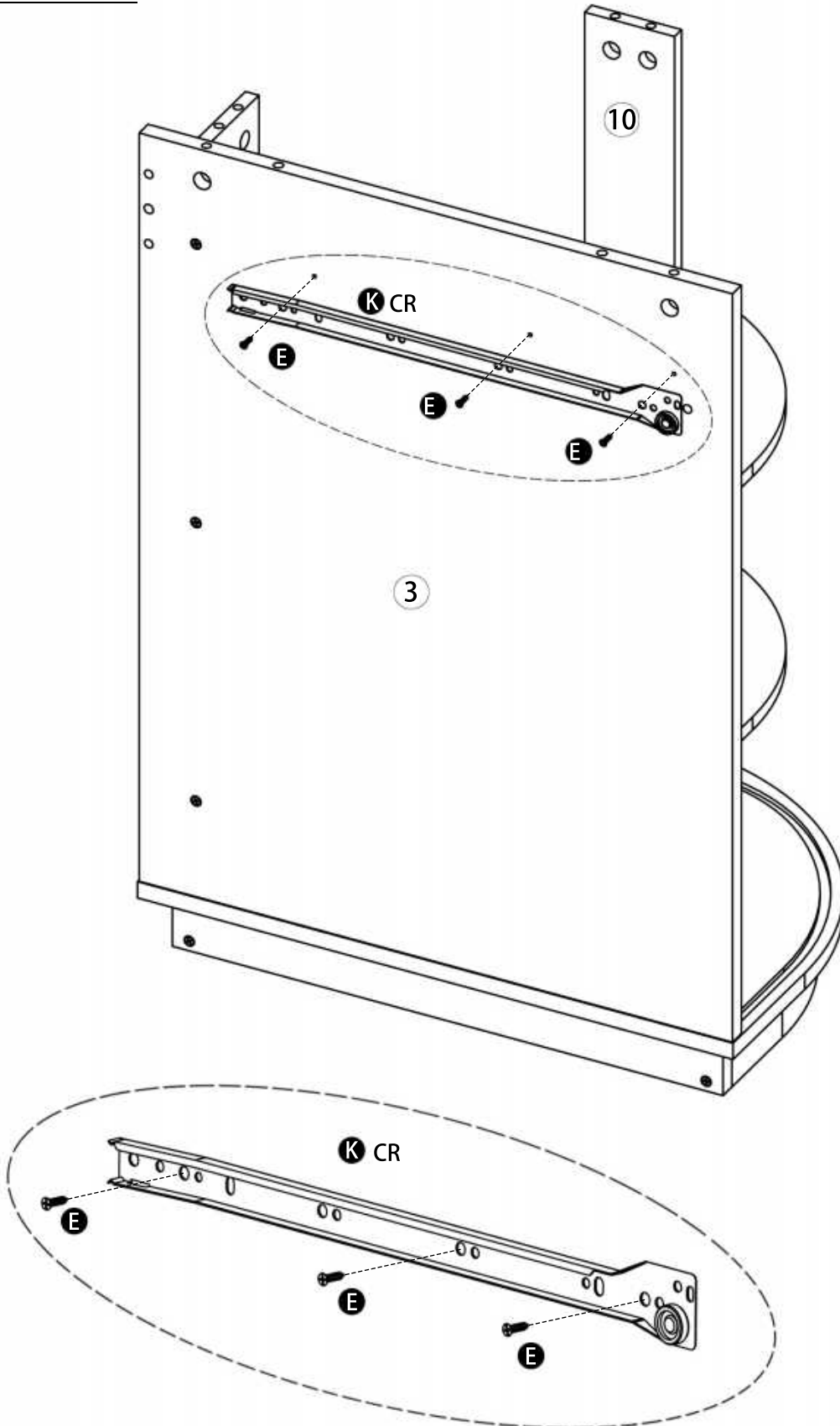
 **G** X6

 **Q** X4



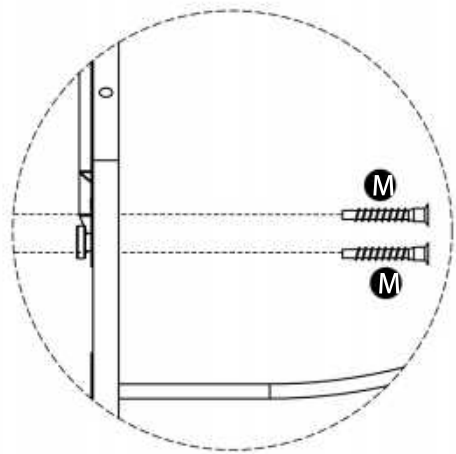
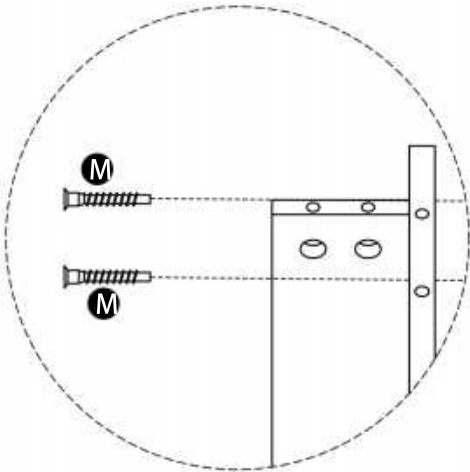
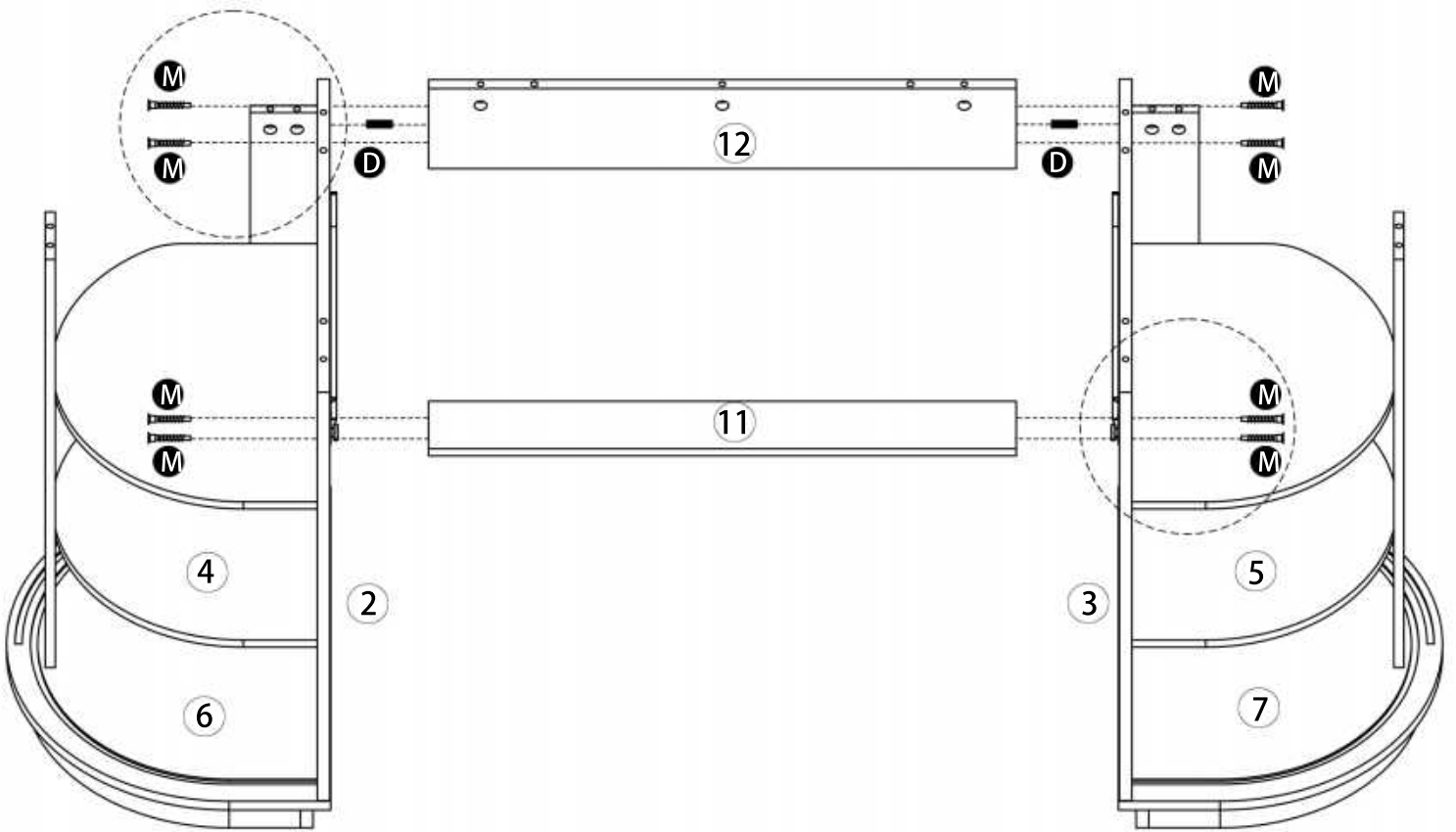
# STEP 14

-  **E** X3
-  **K CR** X1



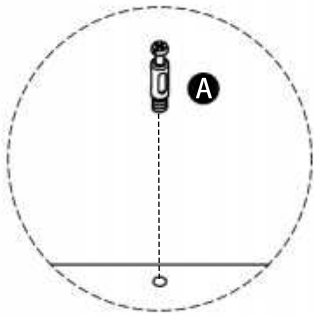
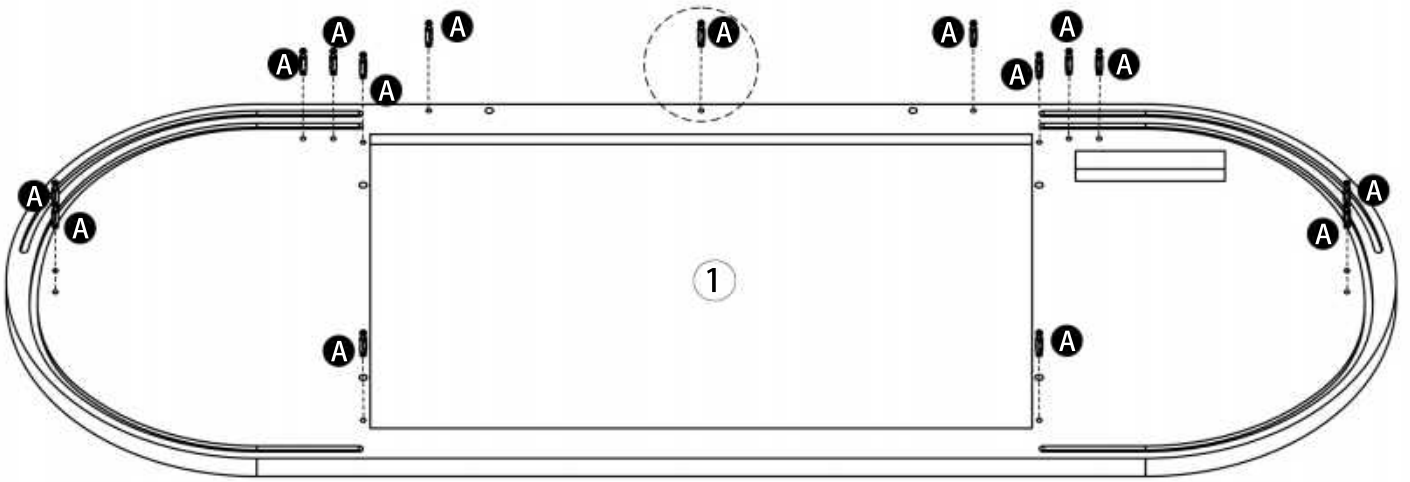
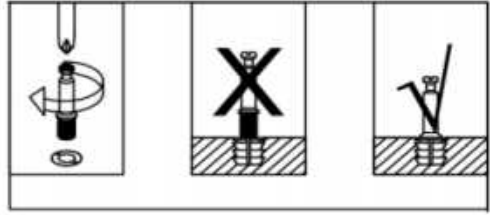
# STEP 15

-  **D** X2
-  **M** X8

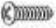



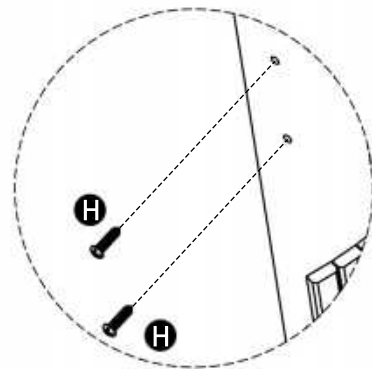
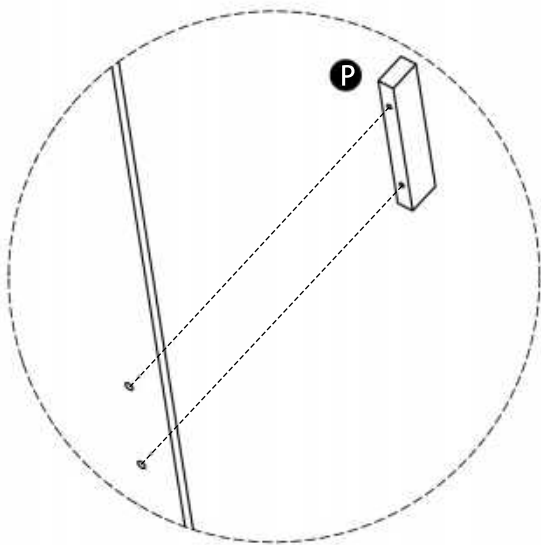
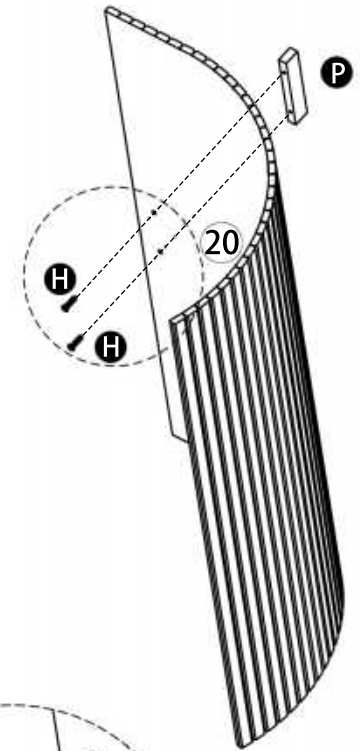
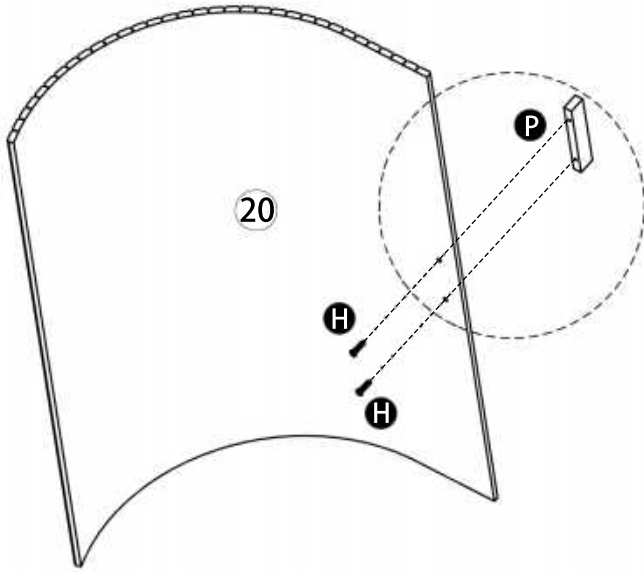
# STEP 16

 **A** X15

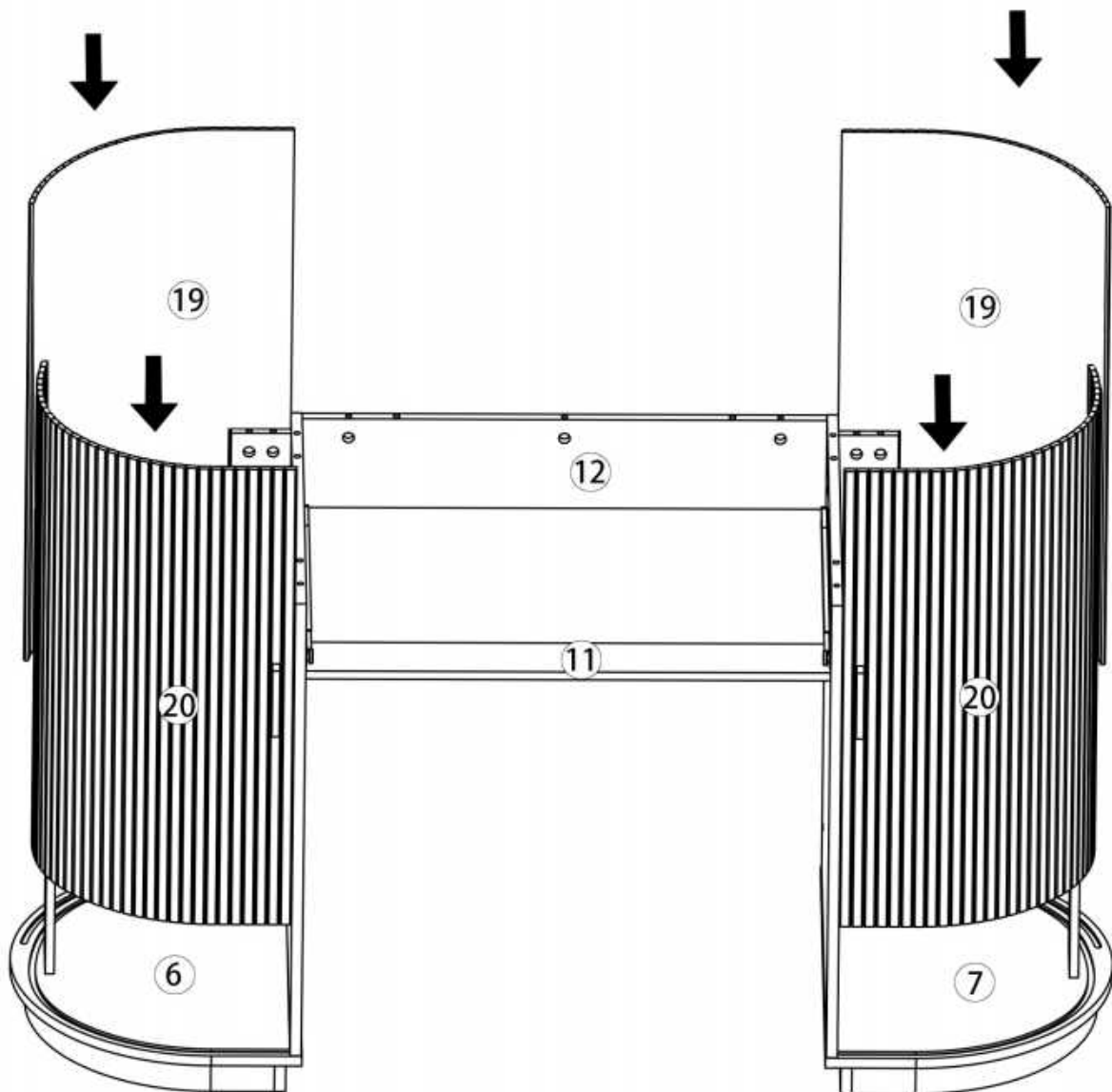


# STEP 17

-  **H** X4
-  **P** X2



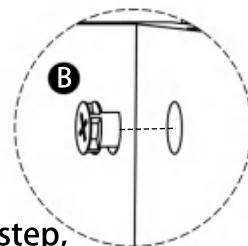
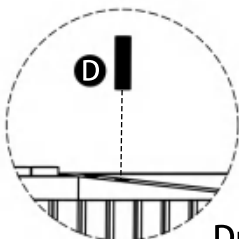
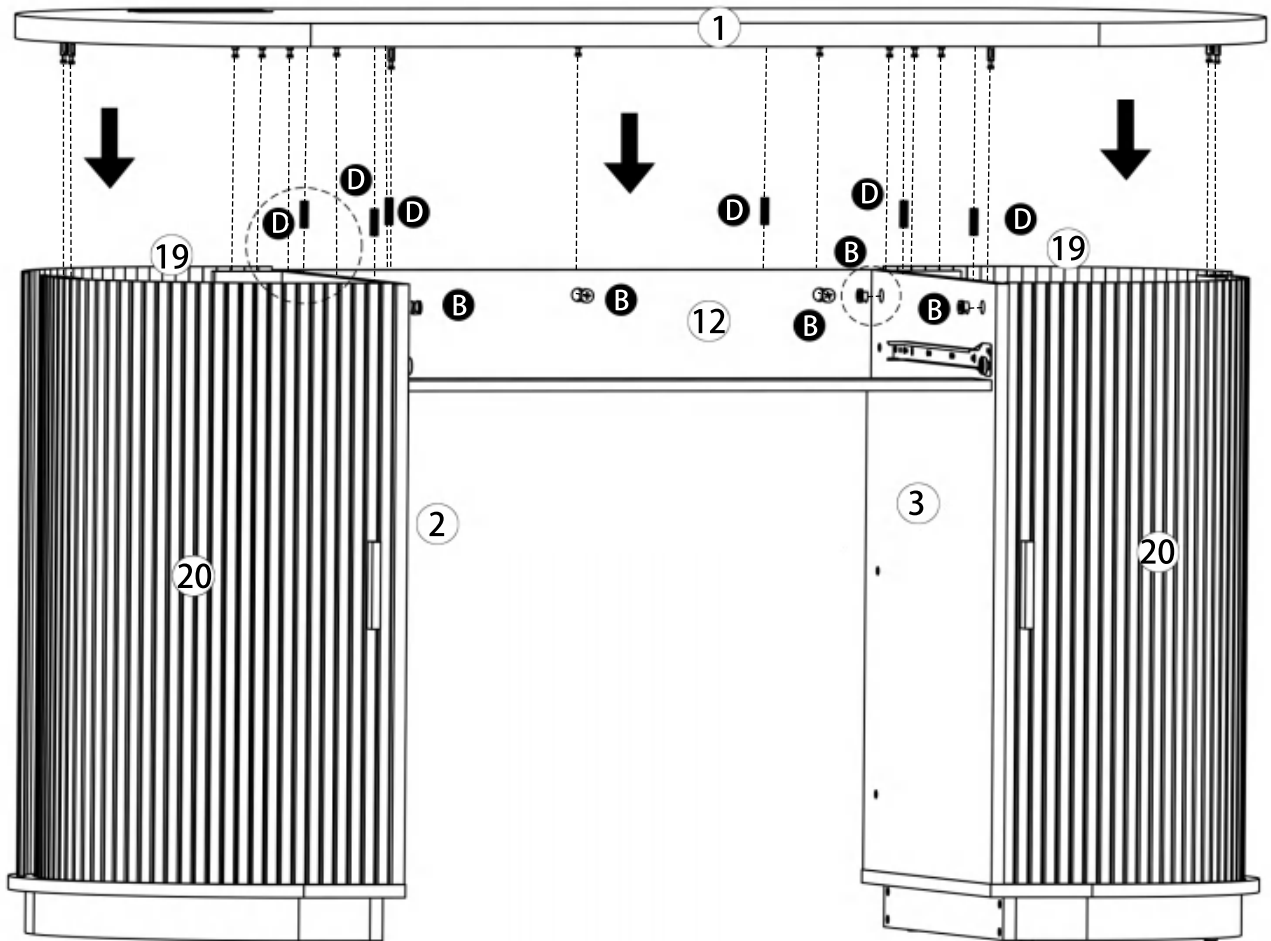
STEP 18



## STEP 19



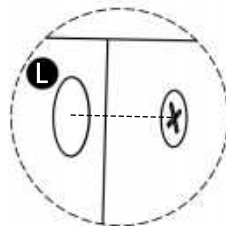
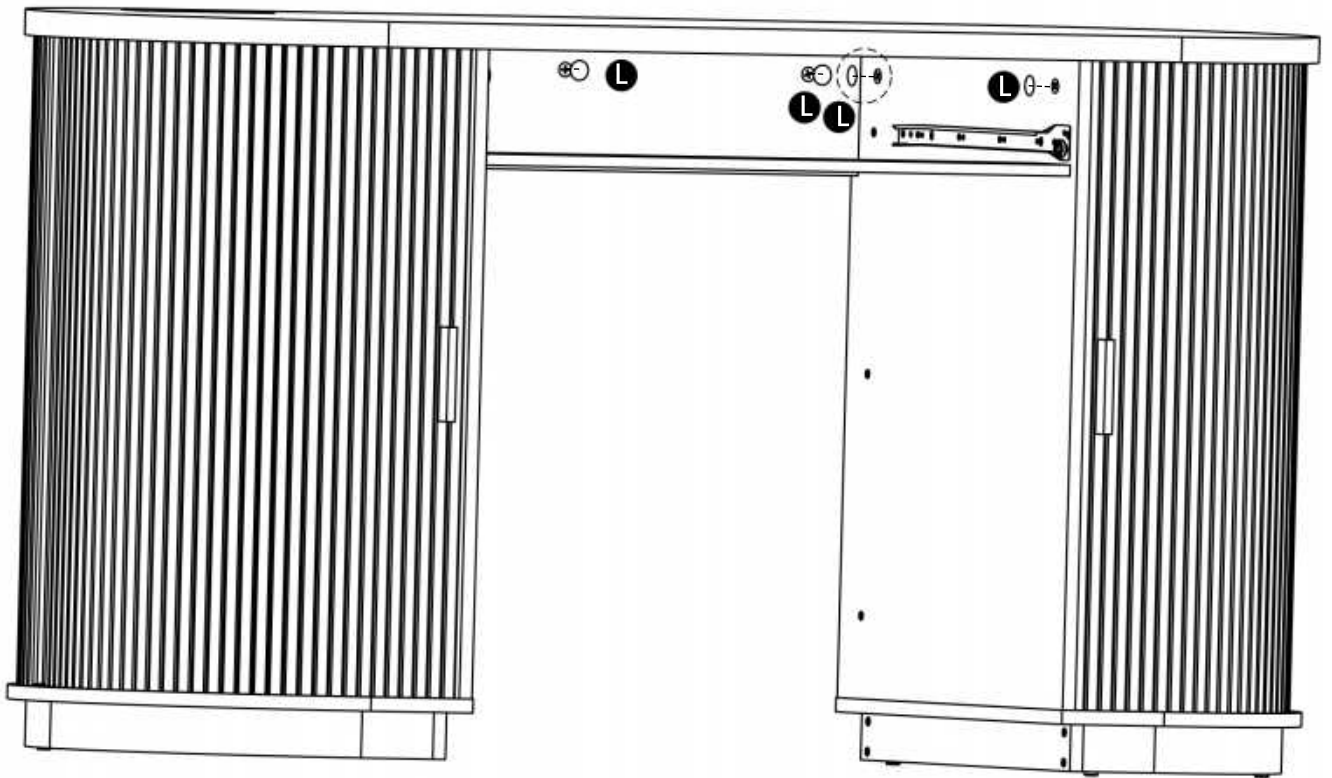
For this step, you need one helper.








During the installation of this step, plate 19 and plate 20 need to be aligned into the plate 1 slot.

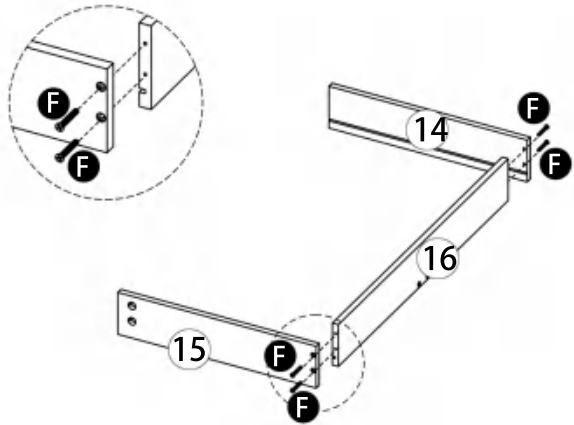
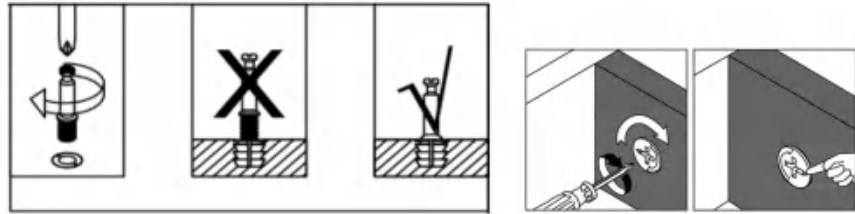
# STEP 20

0 **L** X27

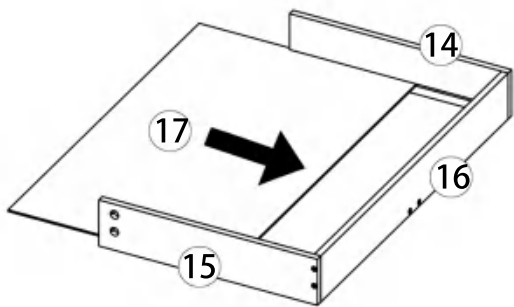


# STEP 21

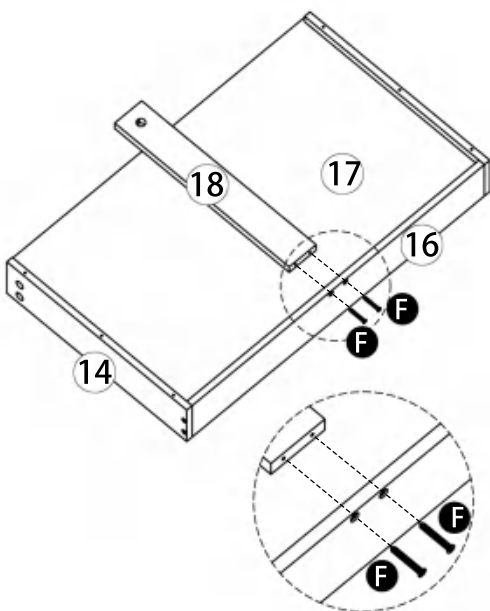
-  **B** X5
-  **F** X6
-  **A** X5
-  **L** X2
-  **P** X1



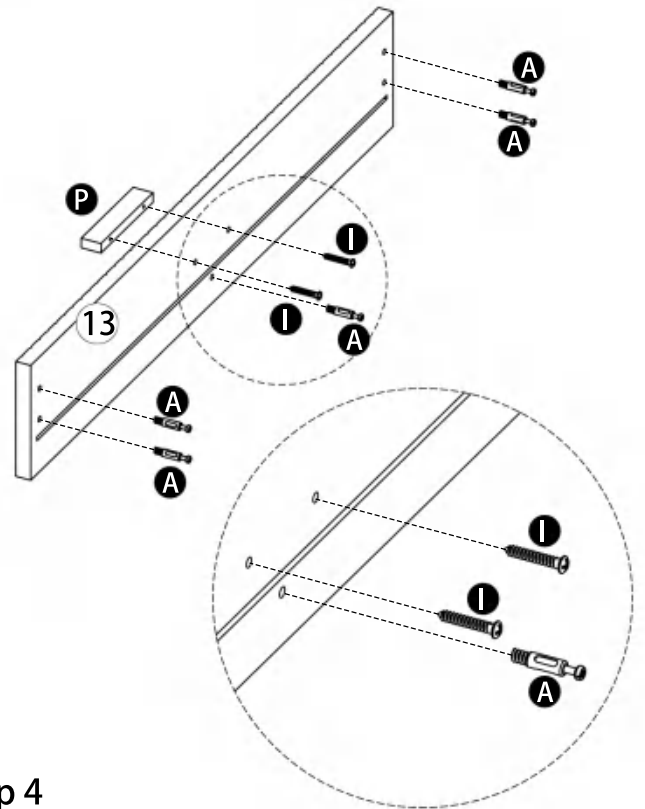
Step 1



Step 2

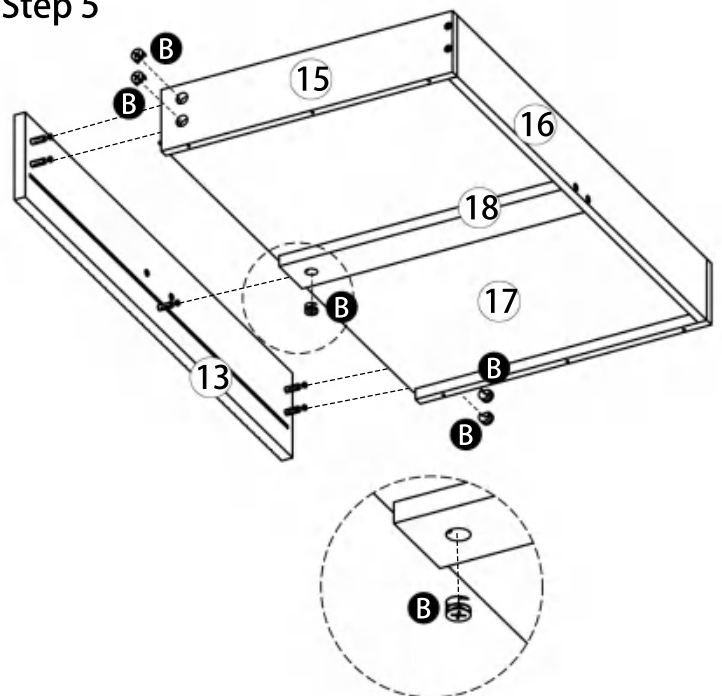


Step 3






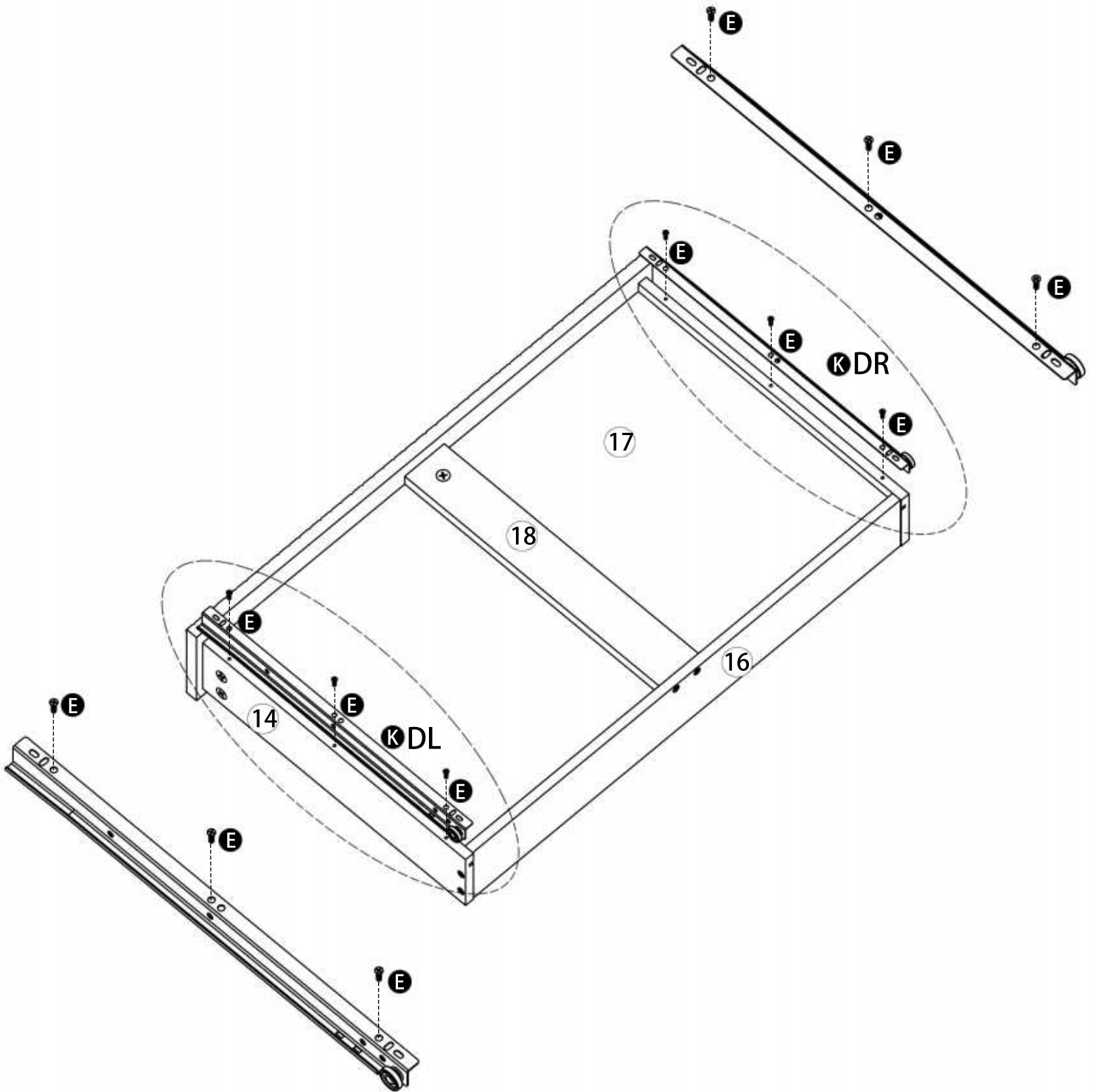
Step 4

Step 5

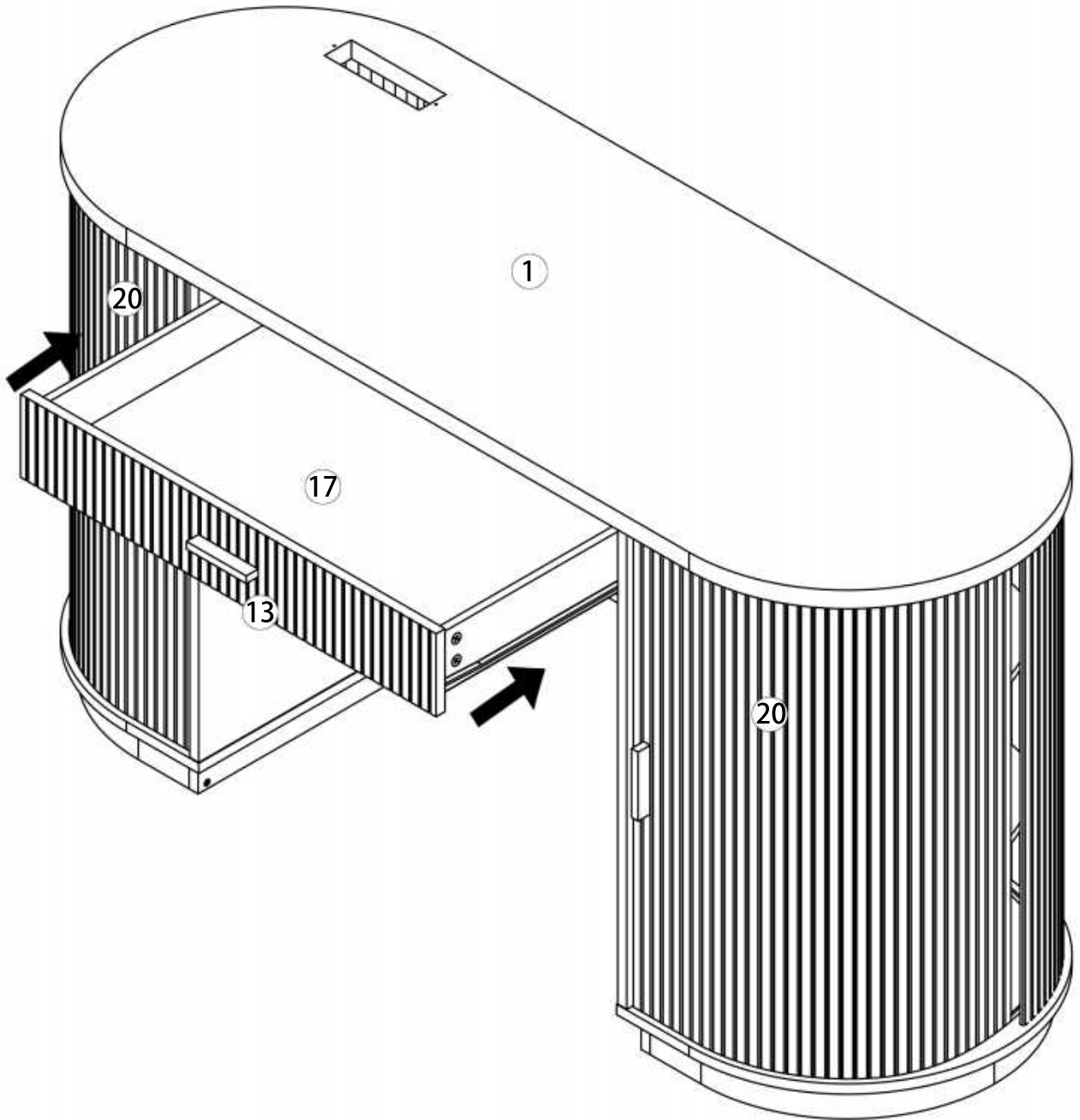


# STEP 22



-  **E** X6
-  **KDL** X1
-  **KDR** X1

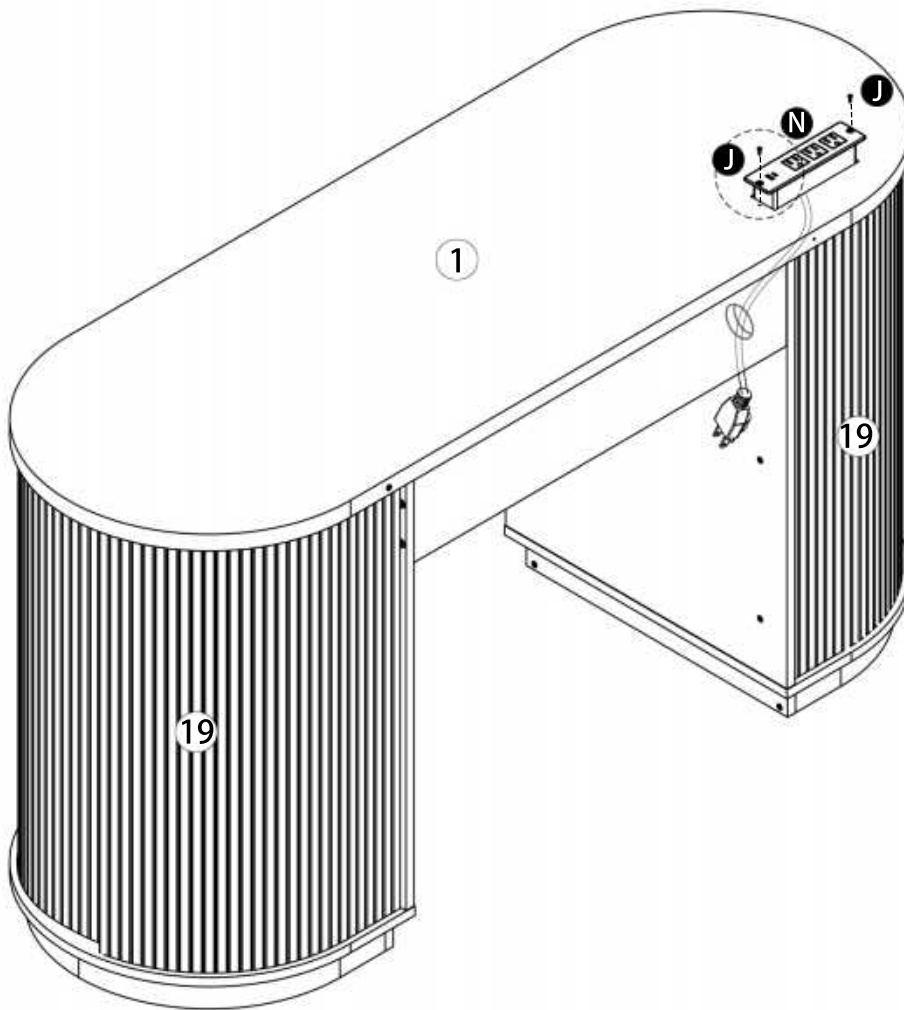
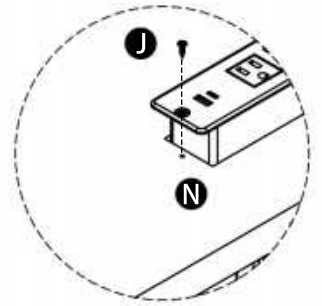


STEP 23

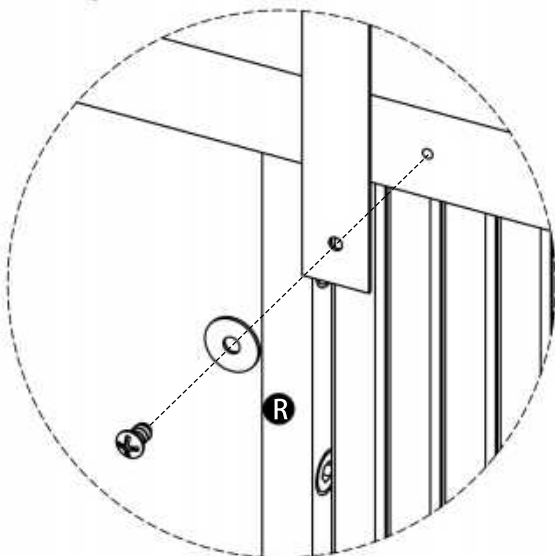
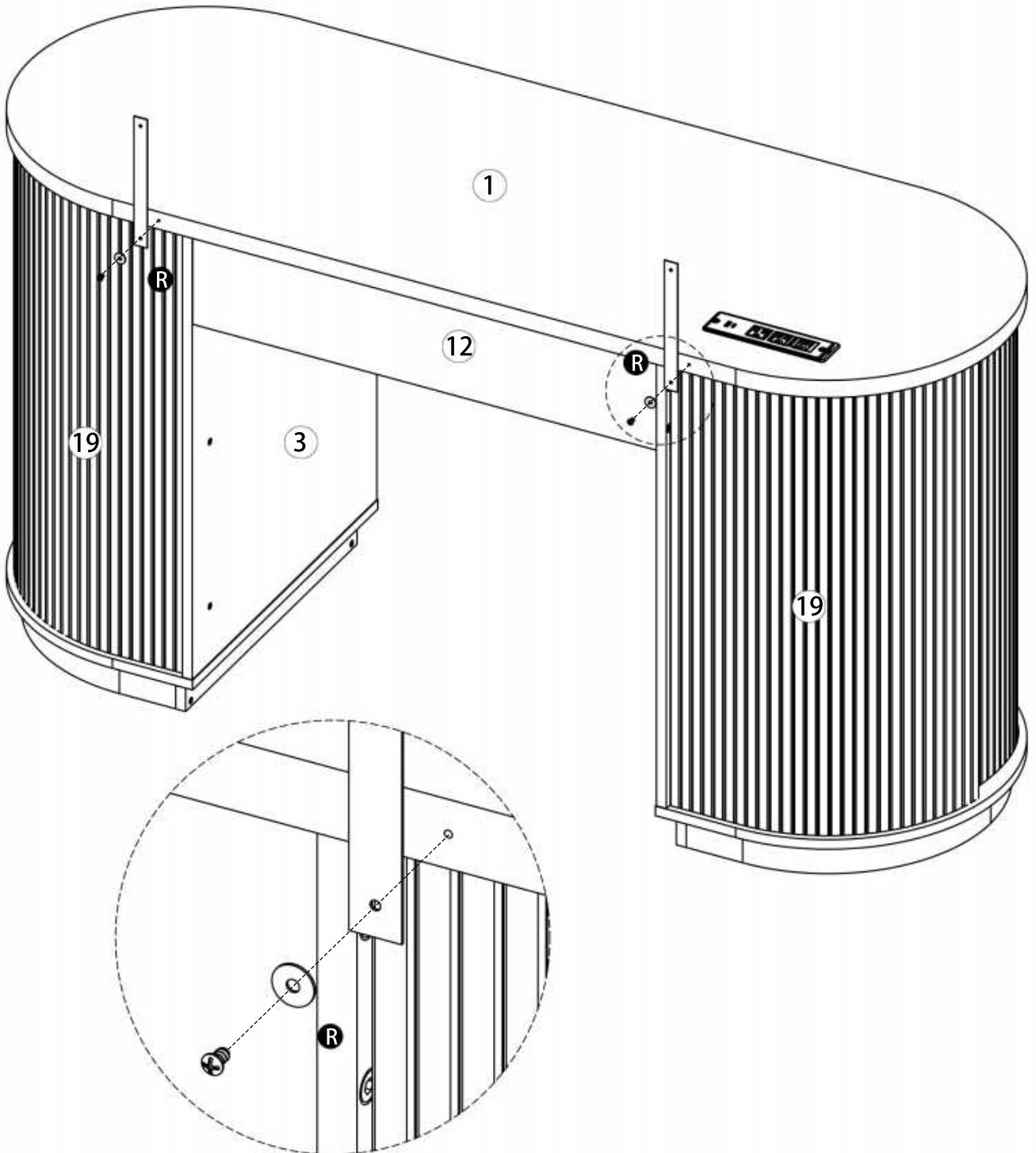


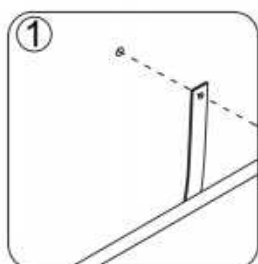
# STEP 24

-  **J** X2
-  **N** X1

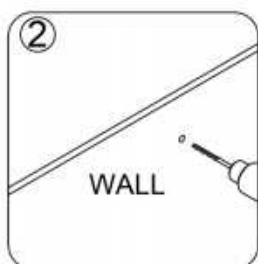


# STEP 25

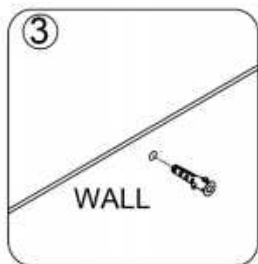


**STEP 26****Install the tipping restraint hardware**

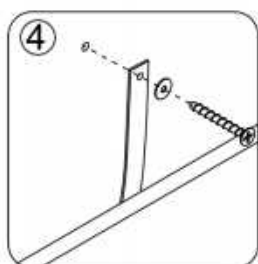
1. make mark on the wall



2. drill two  $\varnothing 6$  holes on the wall



3. put two anchors in the holes



4. fix the device on the wall by the long screws

