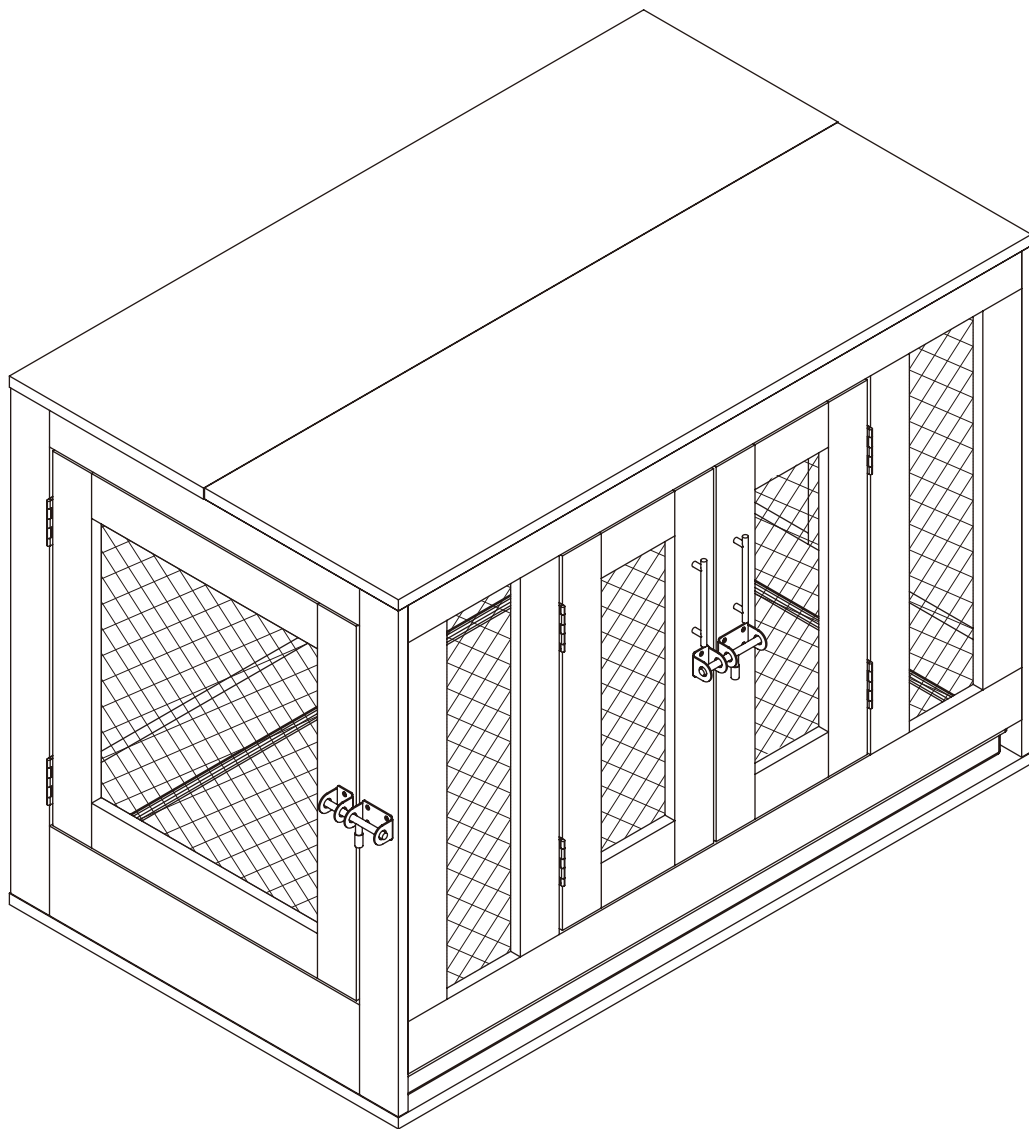


PRODUCT INSTRUCTION



WARNING

Serious or fatal crushing injuries can occur from furniture tip-over. To help prevent tip-over.

- Place heaviest items in the lowest drawers.
- Do not set TVs or other heavy objects on the top of this product.
- Never allow children to climb or hang on drawer, door, or shelves.
- Never open more than one drawer at a time.
- Use of tip-over restraints, only will reduce but does not eliminate the risk of tip-over.
- Never open more than one drawer at a time.

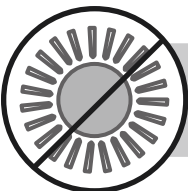
MAINTENANCE TIPS



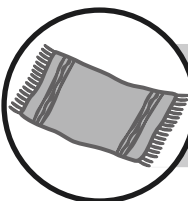
Avoid liquid spraying or infiltrating on the product surface.



Never use chemical cleaning products. They will damage the finish.



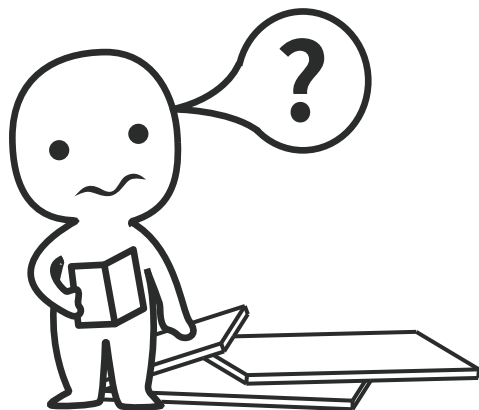
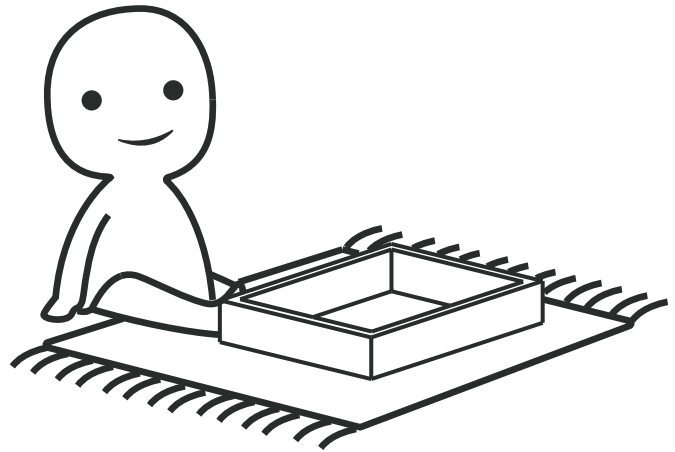
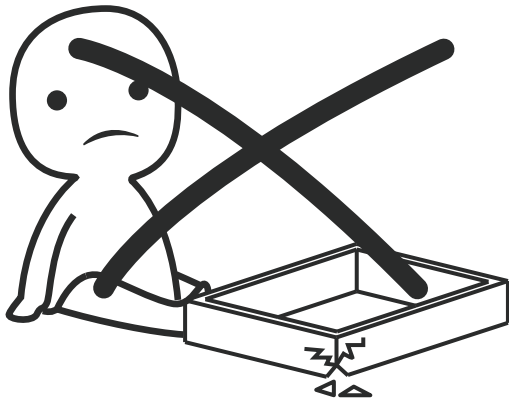
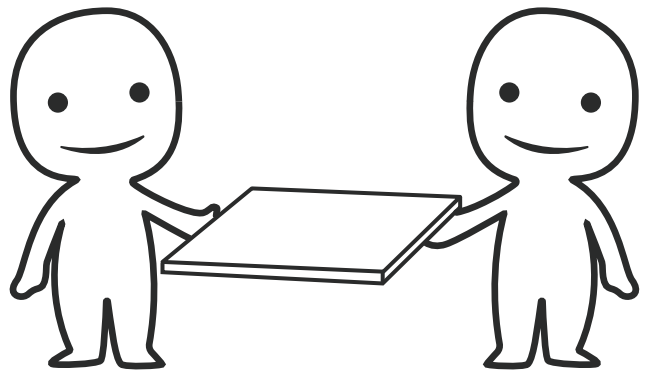
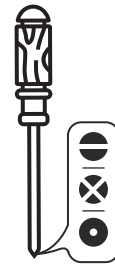
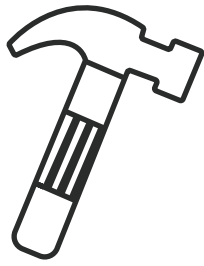
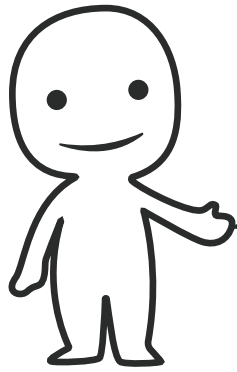
To avoid dulling of finish, do not place furniture in direct sunlight.



Do not put plastic or rubber rings under appliances. Use cloth or felt protectors.



To clean, use a soft or slightly damp cloth, and wipe with a clean and dry cloth.



DE

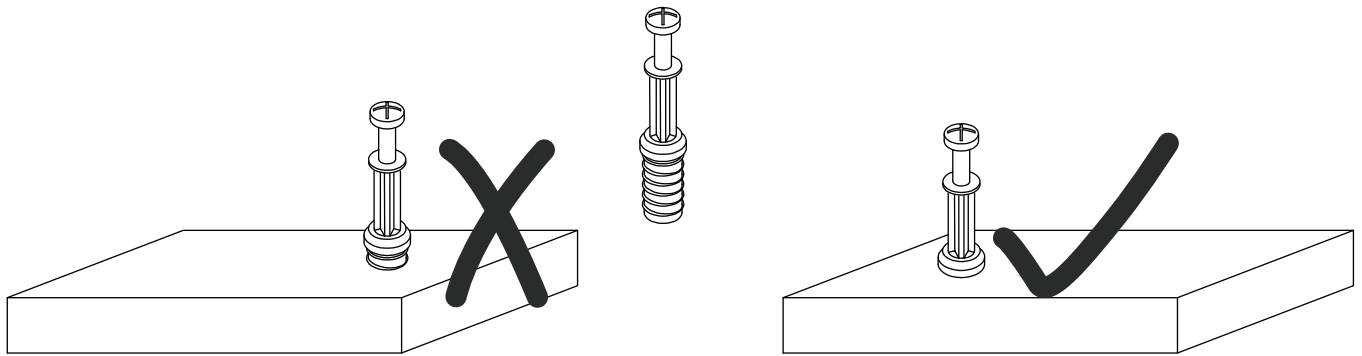
Wichtige Information

- Sorgfältig und aufmerksam lesen
- Diese Information aufbewahren

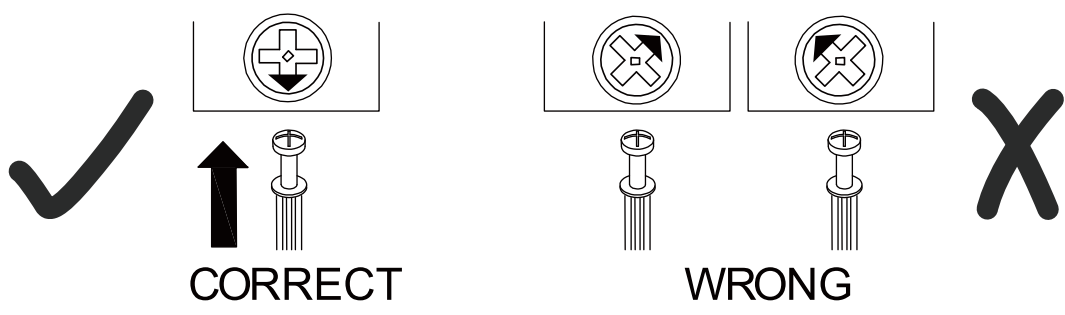
GB

Safety information

- Important information
- Please read closely and carefully
- Save this information



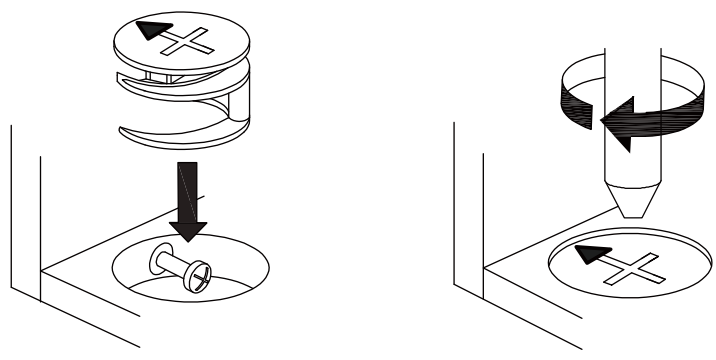
CAM LOCK



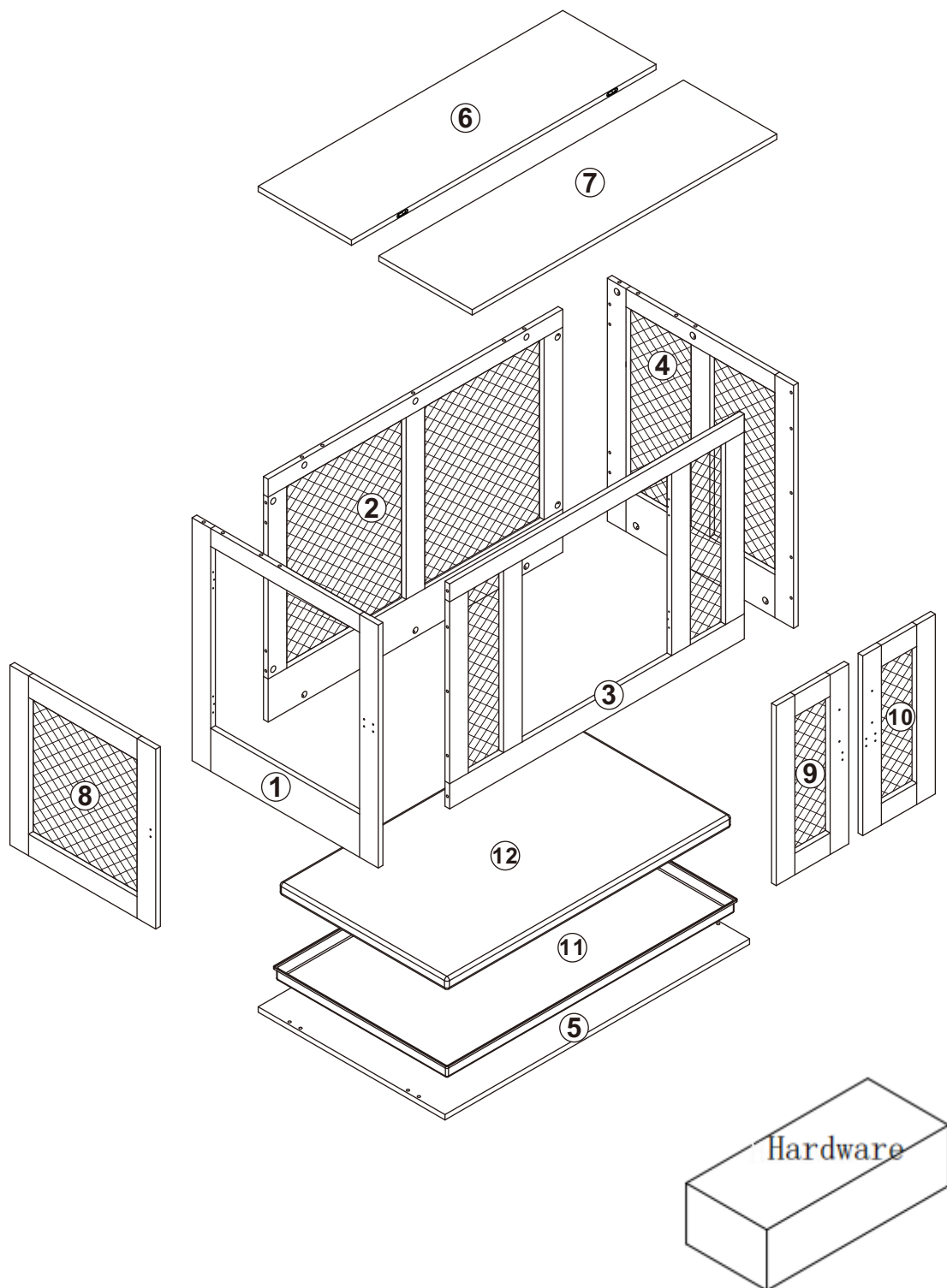
Nut should be in the centre of the cam lock when the two panels are joined. Cam lock should be inserted before nut.

Wenn die beiden Platten verbunden sind, sollte die Mutter in der Mitte des Nockenschlosses sein.

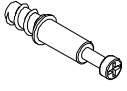

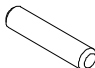
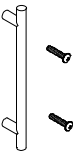
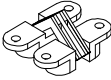

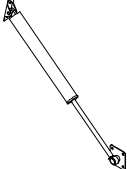
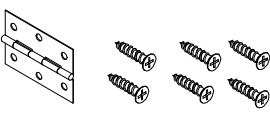
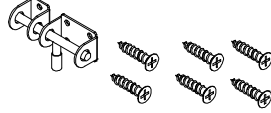

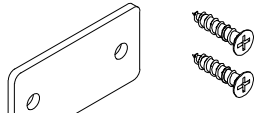
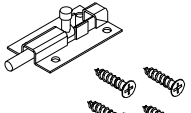
Die Nockenverriegelung sollte vor der Mutter eingeführt werden.

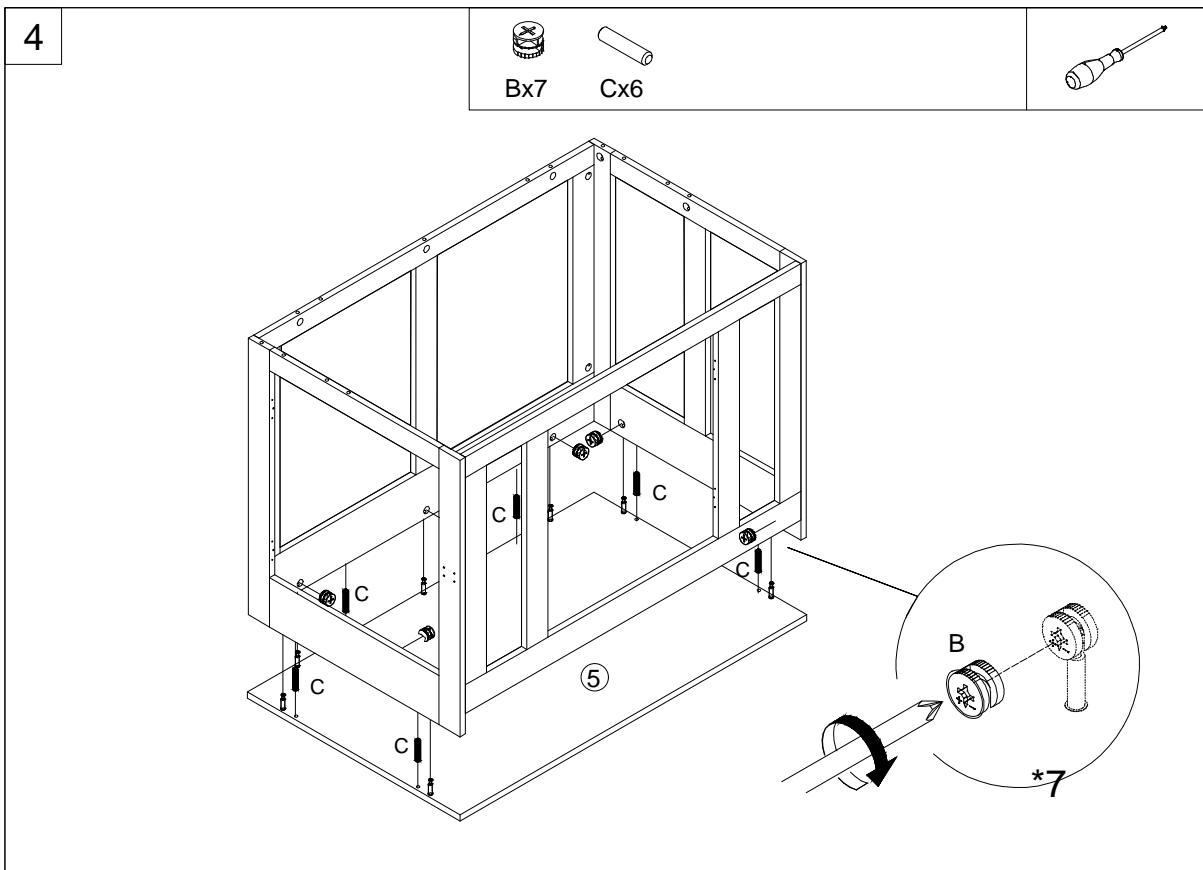
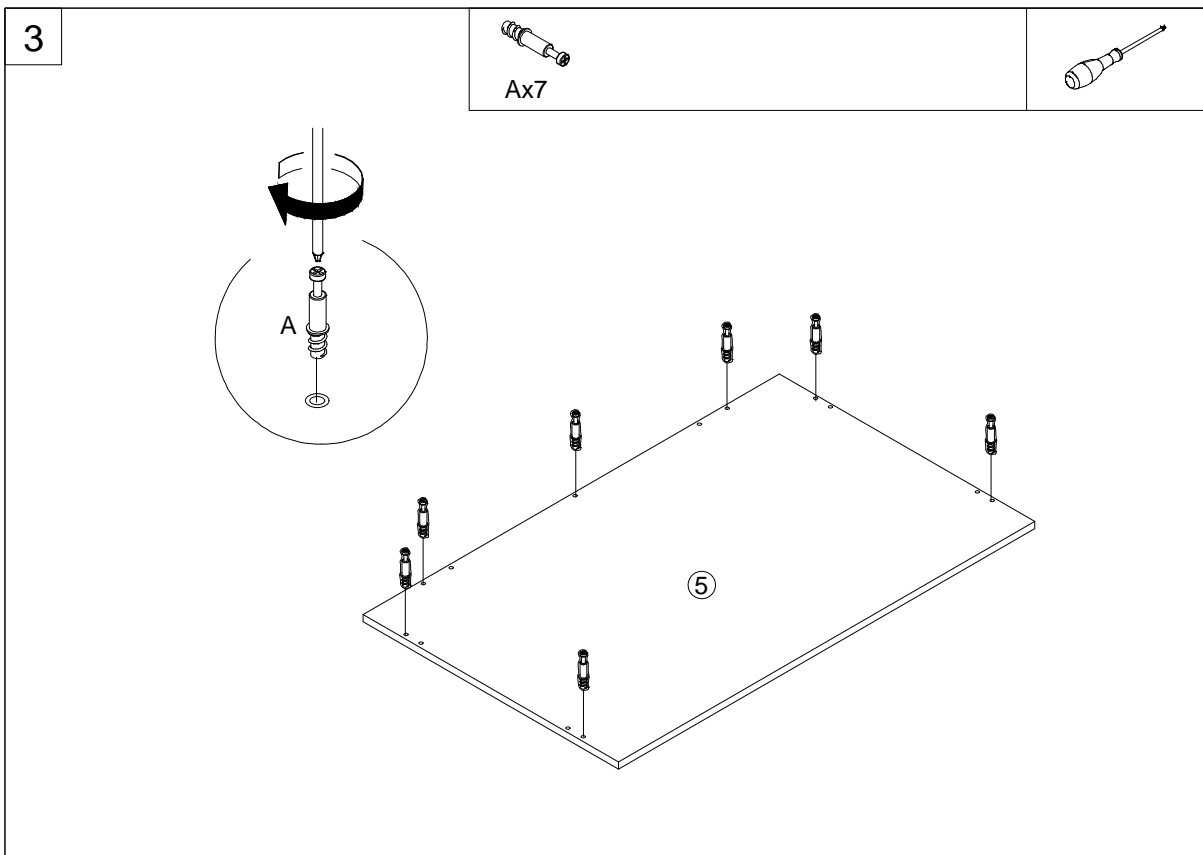


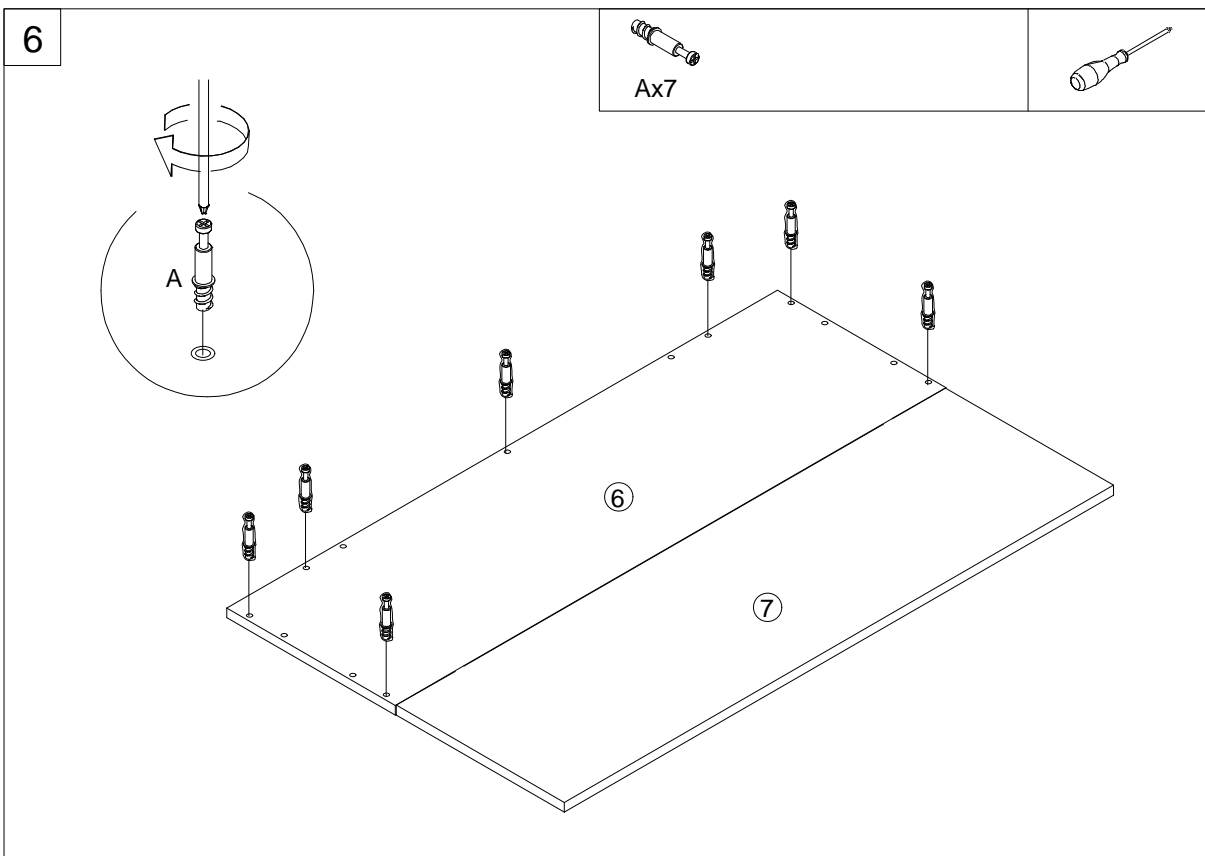
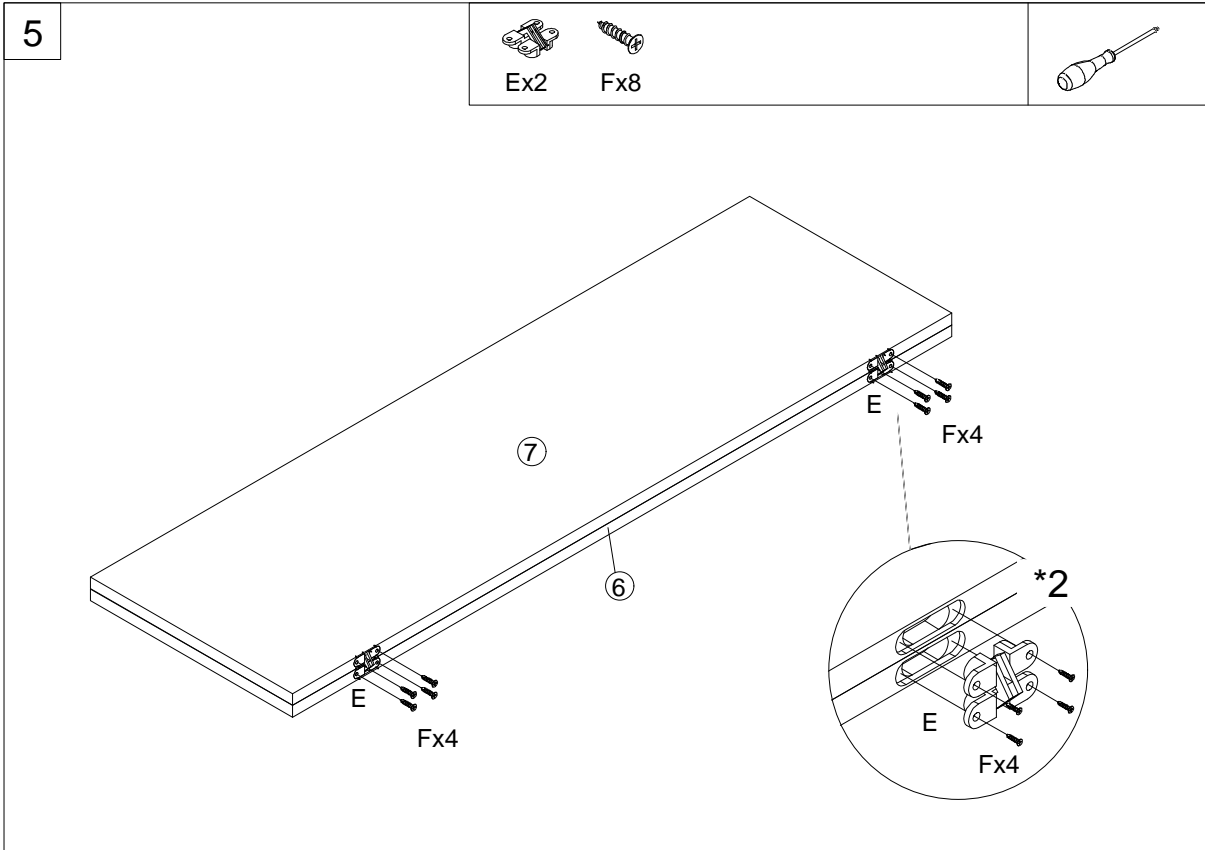
Parts List / Teileliste



Hardware List/Hardwareliste

<p>A</p>  <p>$\phi 5 \times 31 \text{mm}$</p> <p>x24</p>	<p>B</p>  <p>$\phi 15 \times 11 \text{mm}$</p> <p>x24</p>	<p>C</p>  <p>$\phi 8 \times 30 \text{mm}$</p> <p>x20</p>
<p>D</p>  <p>M4x18</p> <p>x3</p>	<p>E</p>  <p>x2</p>	<p>F</p>  <p>M3.5x14</p> <p>x8</p>
<p>G</p>  <p>x1</p>	<p>H</p>  <p>x6</p>	<p>I</p>  <p>x2</p>
<p>J</p>  <p>x24</p>	<p>K</p>  <p>M3.5x14mm</p> <p>x2</p>	<p>L</p>  <p>M3x14mm</p> <p>x2</p>





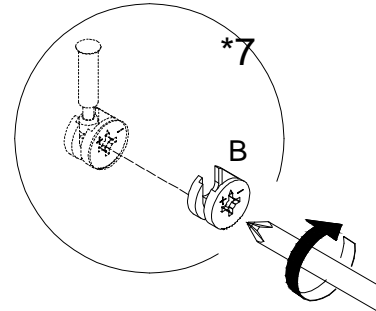
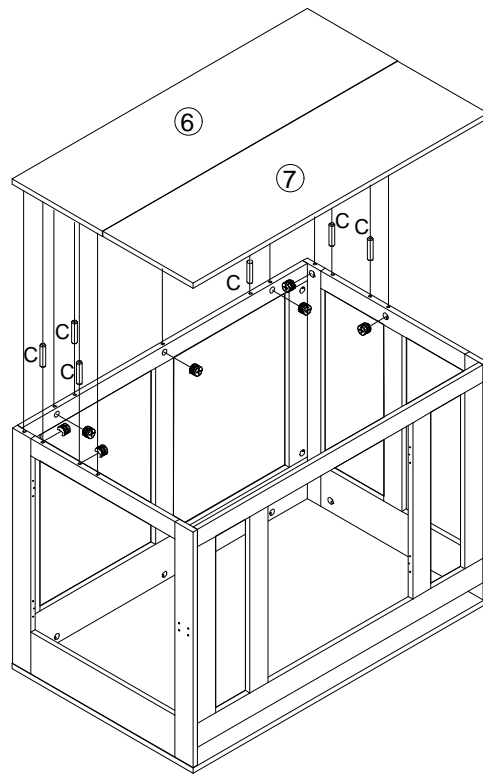
7



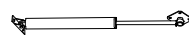
Bx7



Cx6



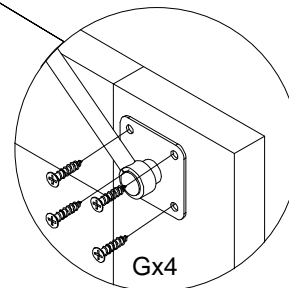
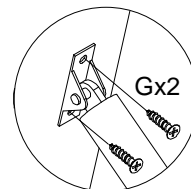
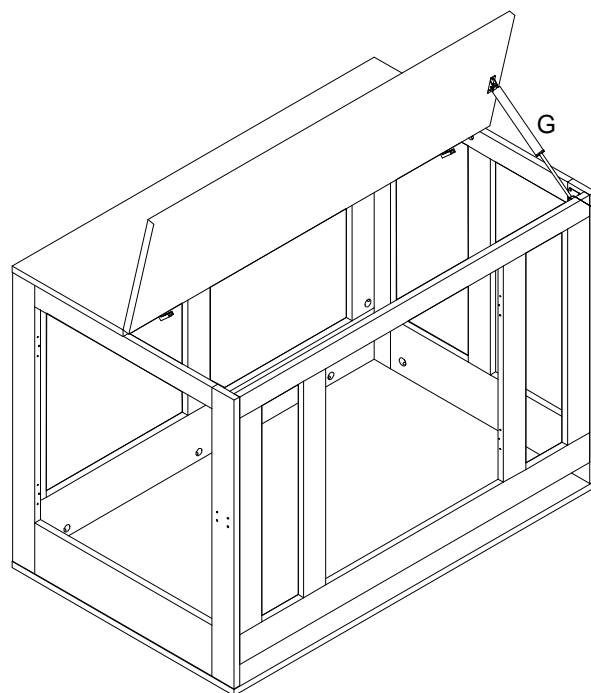
8

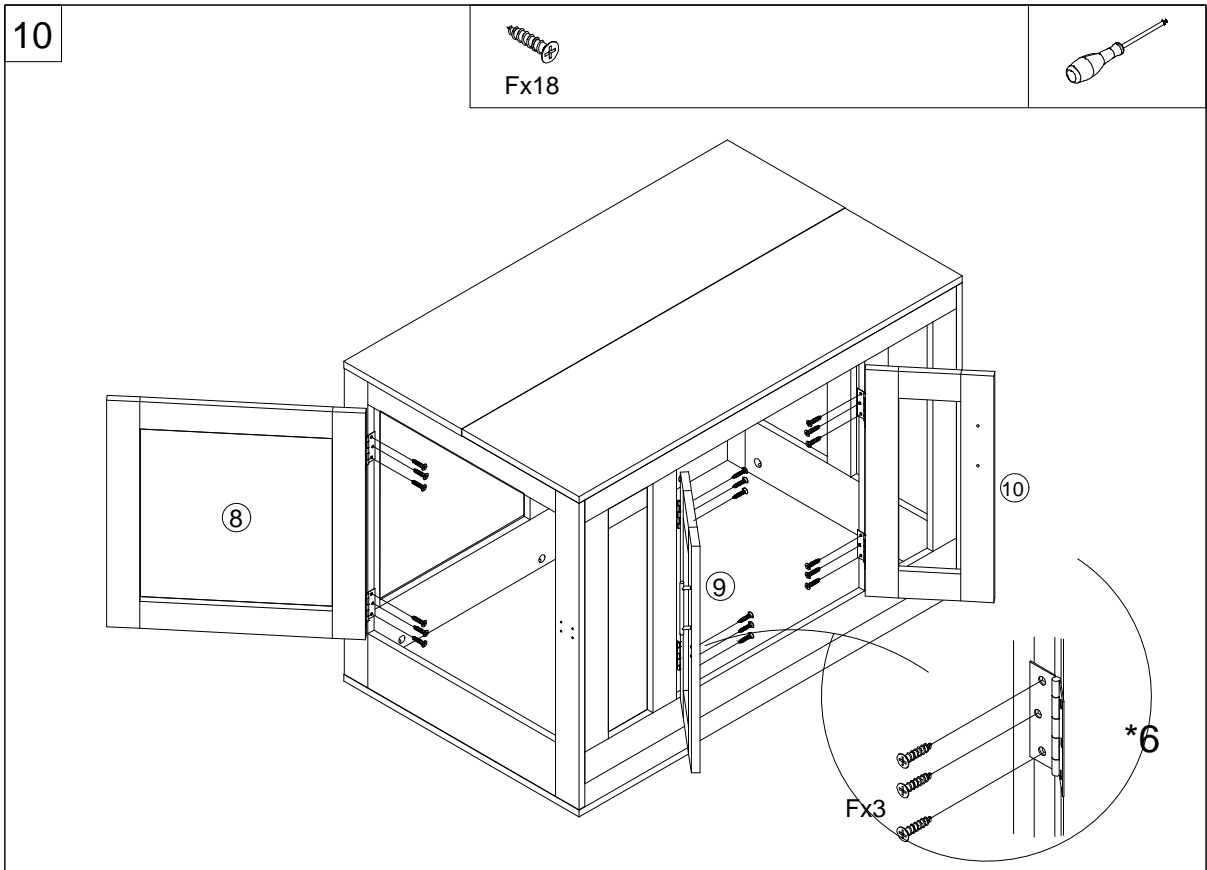
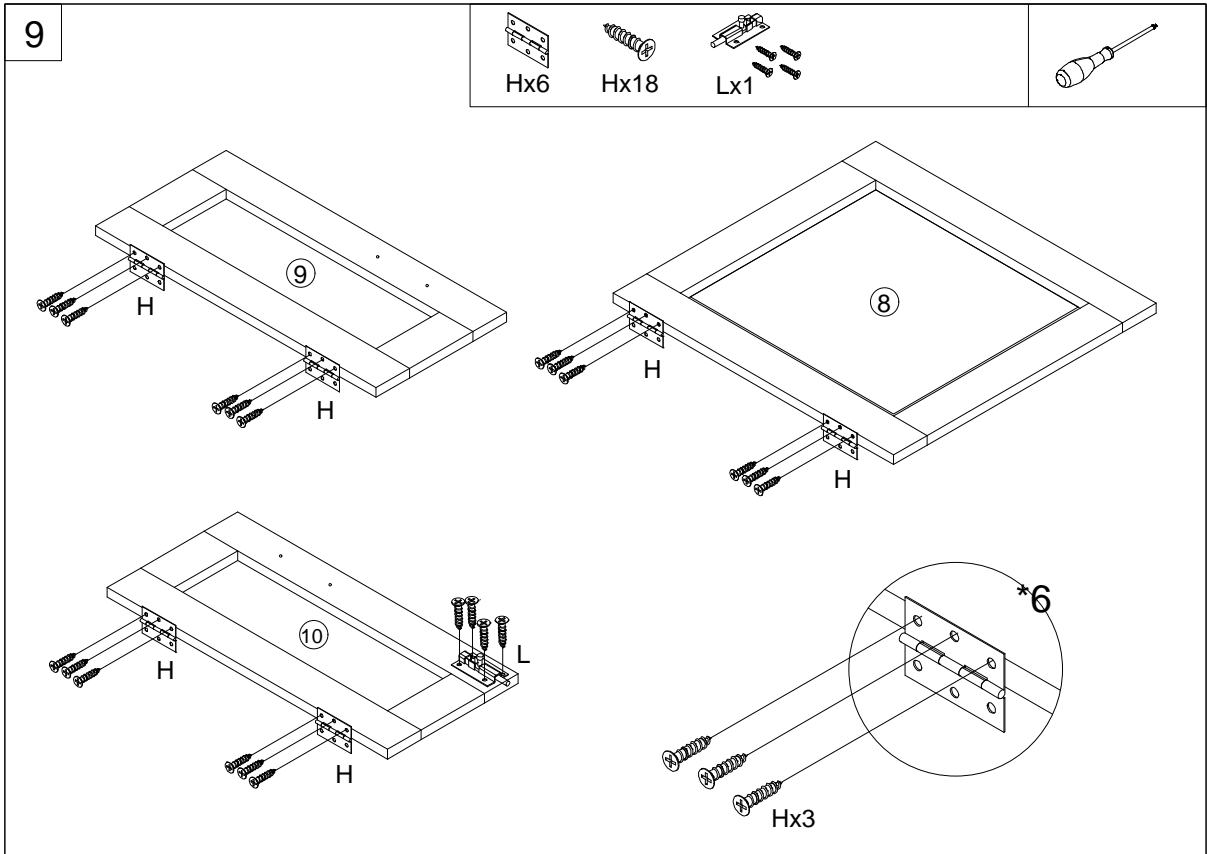


Gx1

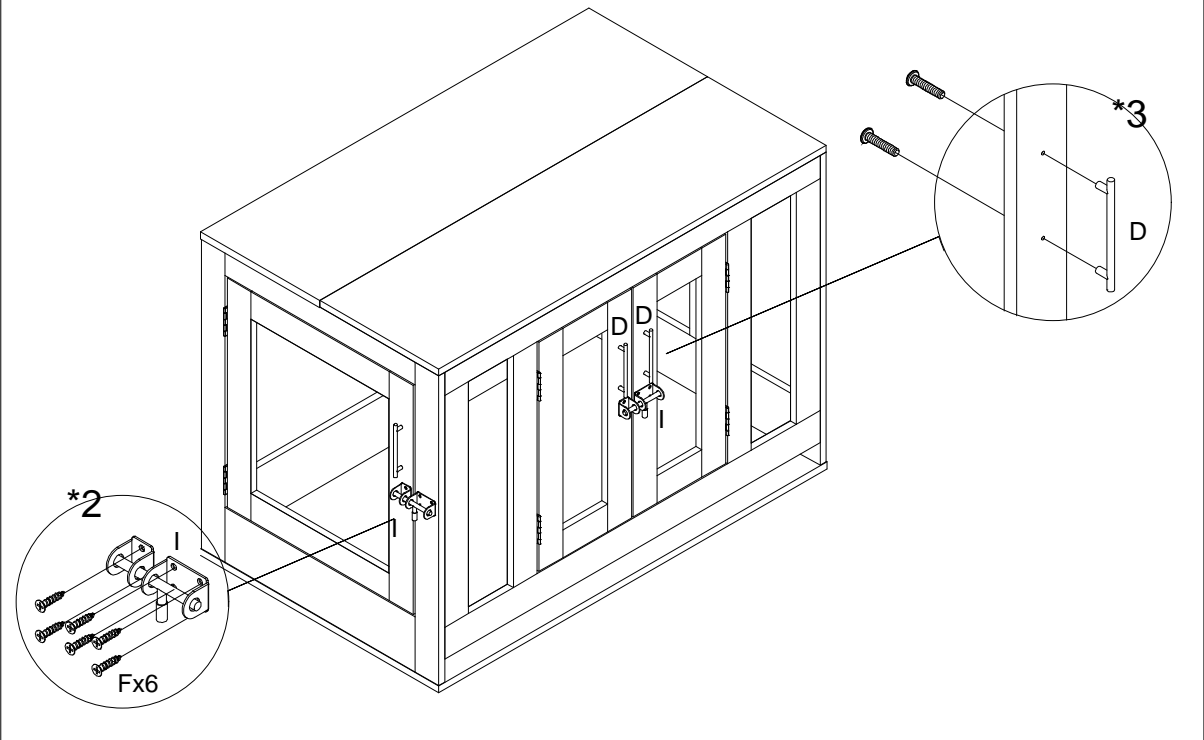
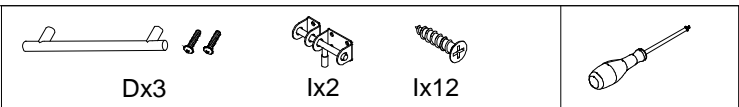


Gx6

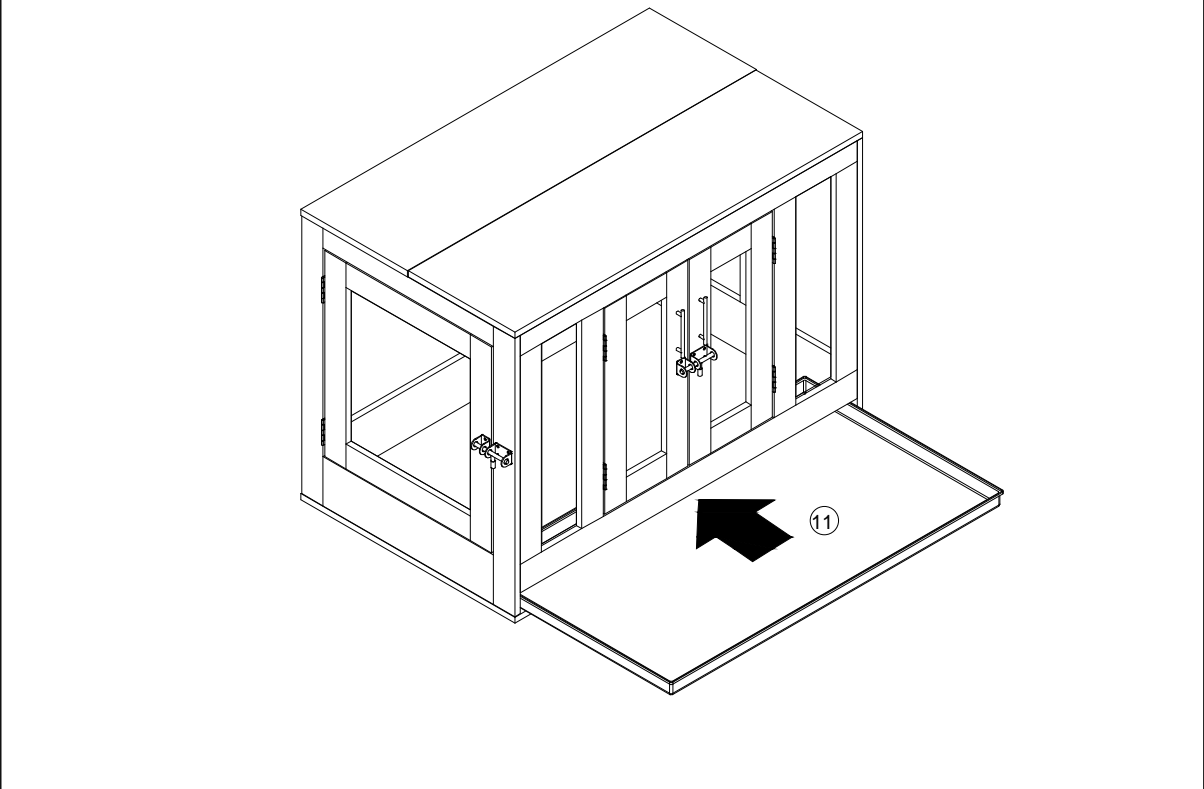




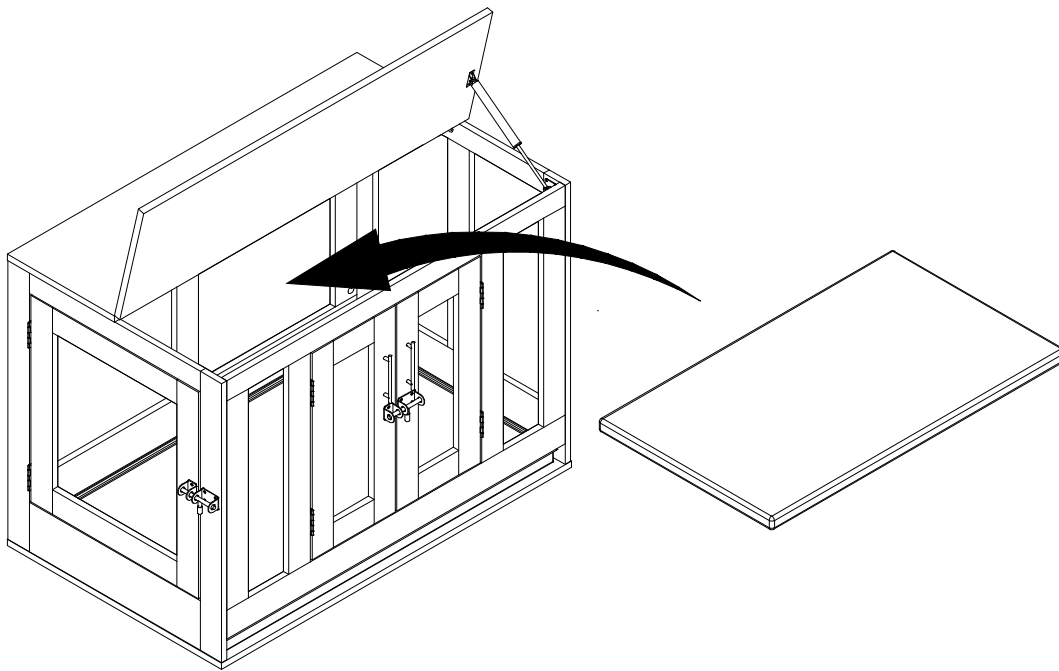
11



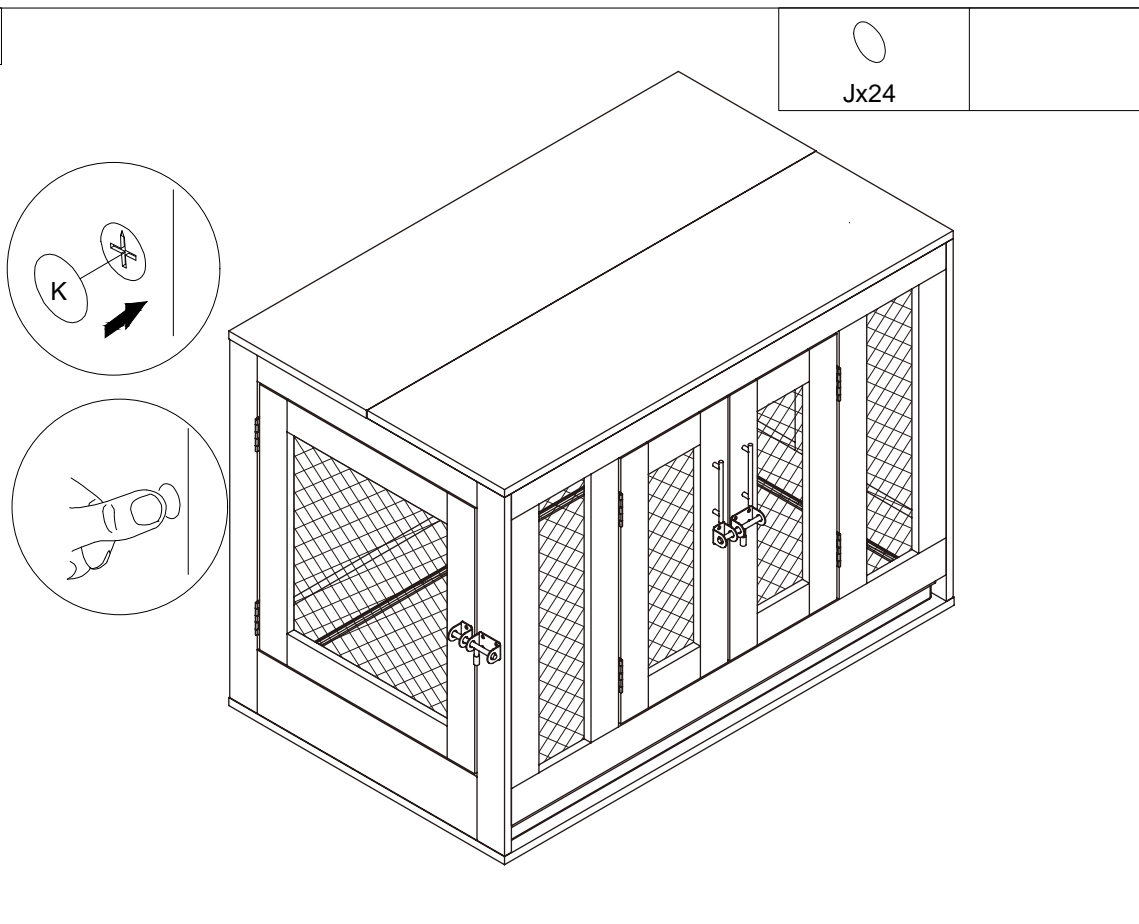
12

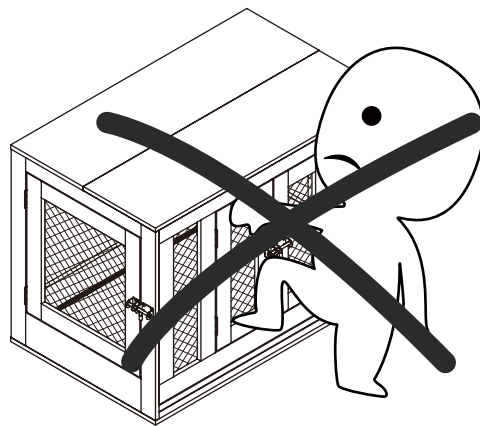
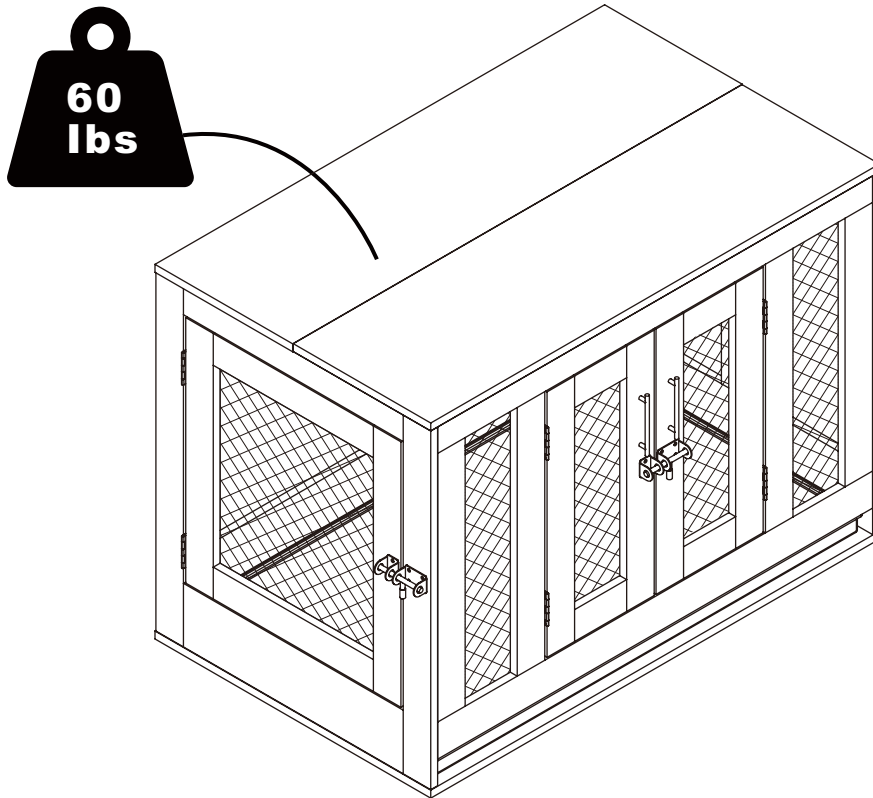


13



14





Serious or fatal crushing injuries can occur from furniture tip-over. To further reduce the risk of serious injury and death from tip-overs:

Schwere oder tödliche Quetschverletzungen können durch Umkippen von Möbeln auftreten.
 Um das Risiko schwerer Verletzungen und Todesfälle durch Umkippungen weiter zu reduzieren.

GB Safety information

- Important information
 - Please read closely and carefully
- Save this information



IMPORTANT. It is imperative that the furniture be installed according to instructions by someone properly qualified to complete the task. Installation of electrical or plumbing fixtures should only be performed by trained professionals.

The furniture must be anchored to the wall to prevent it from tipping over. Improper installation or failure to use wall fasteners can prevent the item from functioning properly and may cause damage and/or severe injury.

Wall fasteners are not included because of the large variety of walls and wall materials. Please ask a specialized dealer for wall fasteners appropriate to your specific needs. You are responsible for anchoring the items to the wall and for the materials used for that purpose.

Please observe the maximum load capacity as specified in the assembly instructions. Keep the bag containing the fittings, the fittings themselves and other packaging material out of reach of babies and children. The small parts can be swallowed and therefore pose a choking hazard.

Failure to follow handling, operation or assembly instructions, exchanging components, making changes to the product or using materials which differ from the original parts will result in voiding all liability claims and warranties.
 accepts no liability for personal or material damage due to improper installation or failure to properly anchor the item to the wall. We assume no liability as manufacturer for excessive loads placed on a unit by individuals, playing children or other causes.

- We will only use the information provided on this card to contact you when there is a safety alert or recall for this product.

- We will not sell, rent, or share your personal information.

- If you encounter any problems during the use/installation process, please fill out the following information and send it to Your issue will be resolved within 12 hours.

1. SKU provided on the first page of the manual:

2. Order number:

3. Name:

4. Address:

5. City:

6. Postal code: