



>>assembly instructions

Congratulations on your latest purchase.

Now what? Don't start sweating over this box of parts. This will be easy. We did the hard work for you. All you need to do is follow our simple instructions and you'll be on your way to transforming your room in no time. Good luck --though we're confident you won't need it.

before you begin

1. Check for damaged or missing parts. Customers can email or call us to order missing supplies.
2. Use the carton as a working surface to prevent product damage during assembly.
3. Gather all tools prior to assembly.

table of contents

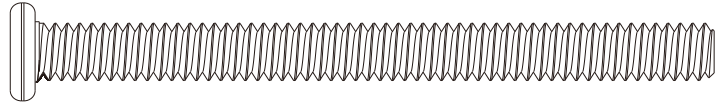
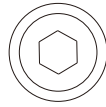


introduction	2
hardware	4
parts list	5
assembly	6 - 10

hardware

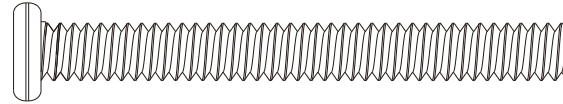
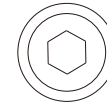
(A) x 4

5/16" x 90mm
round hex screw



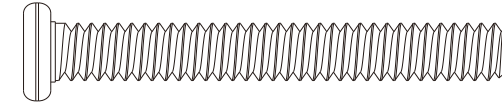
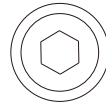
(B) x 2

5/16" x 70mm
round hex screw



(C) x 4

5/16" x 60mm
round hex screw



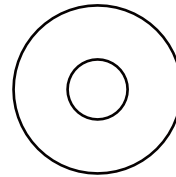
(D) x 10

Φ 8mm lock washer



(E) x 10

Φ 22mm flat washer



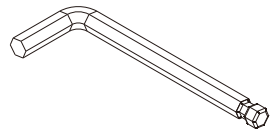
(F) x 1

dowel 10x40mm



(G) x 1

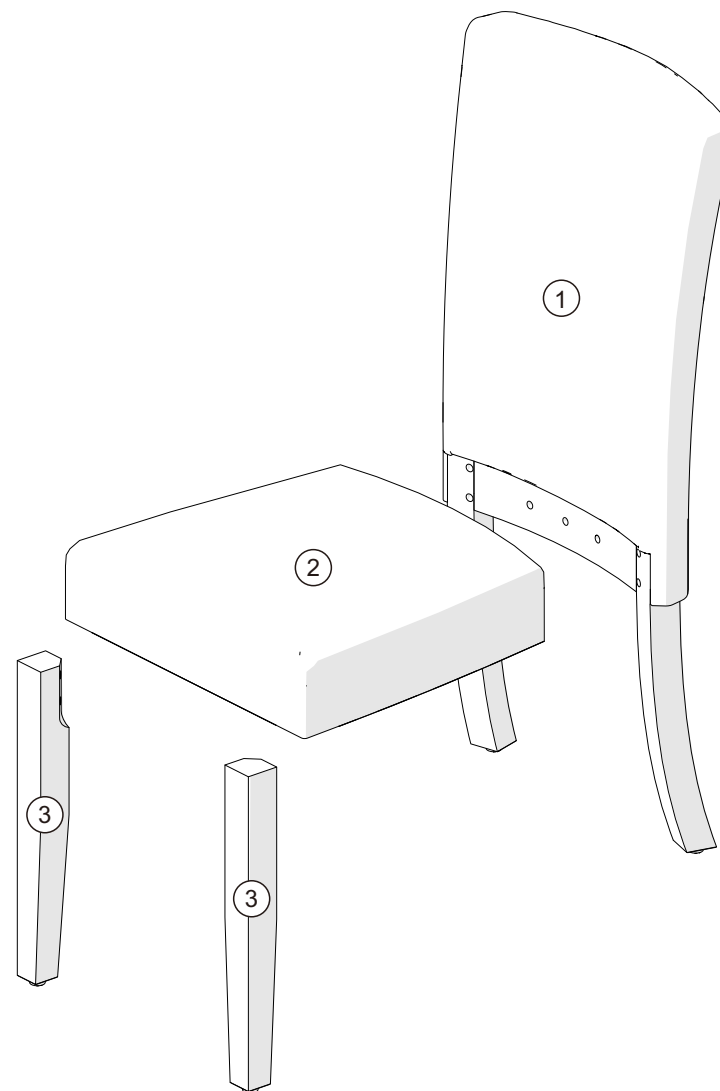
5mm Ball end
Hex wrench



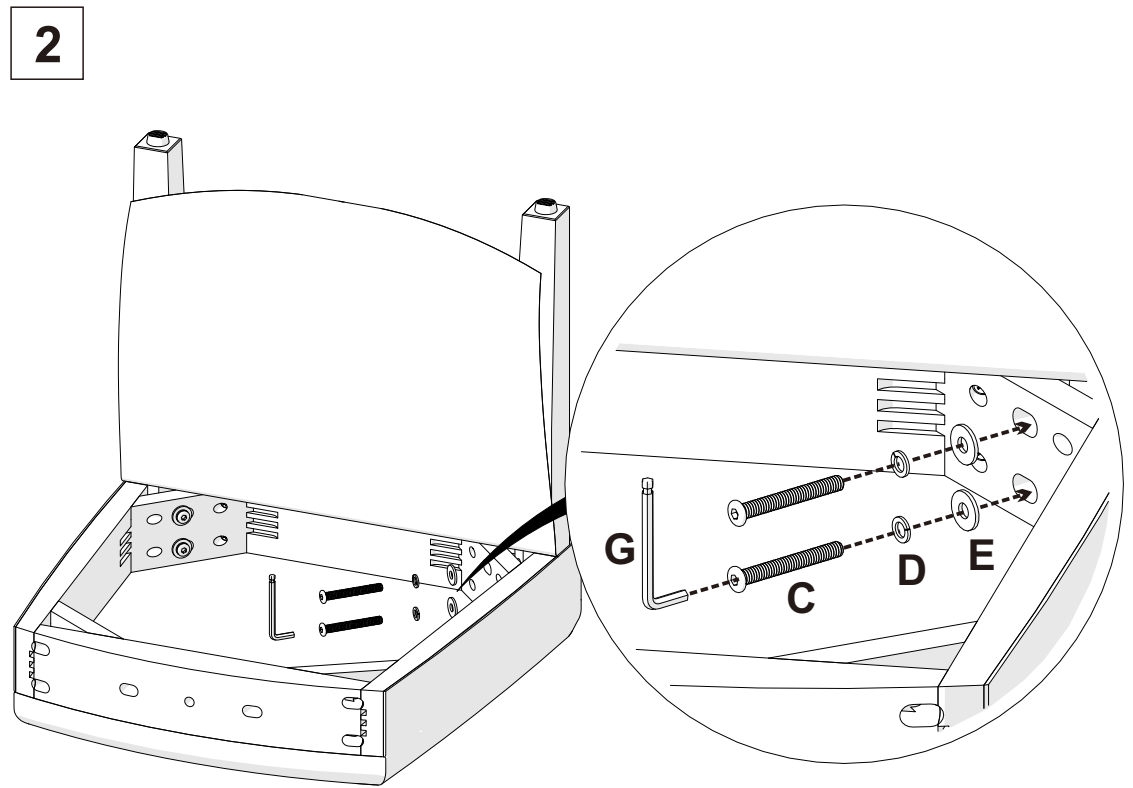
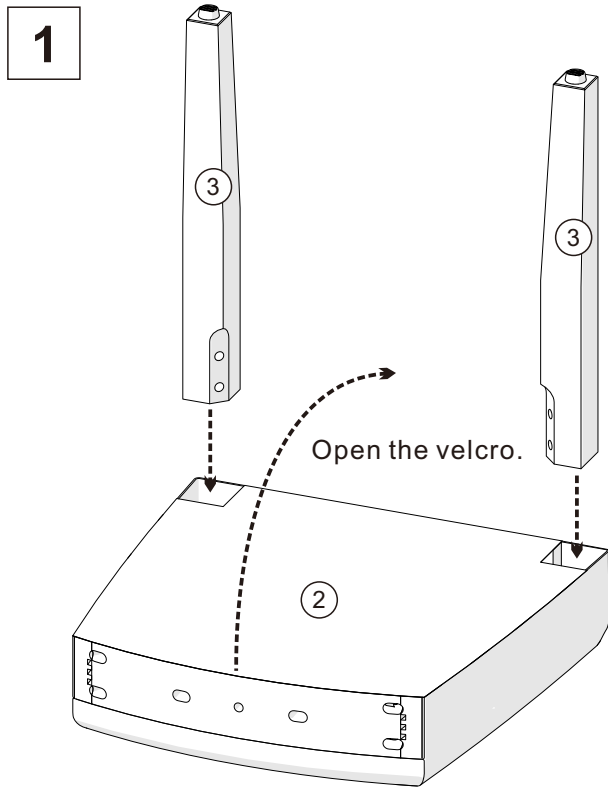
ITEM DESCRIPTION QUANTITY



①	chair back	1
②	seat cushion	1
③	leg	2

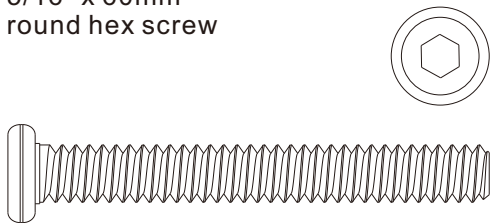


step 1.



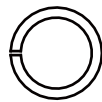
(C) x 4

5/16" x 60mm
round hex screw



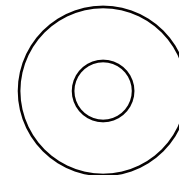
(D) x 4

Φ 8mm lock washer



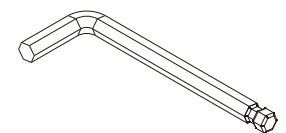
(E) x 4

Φ 22mm flat washer



(G) x 1

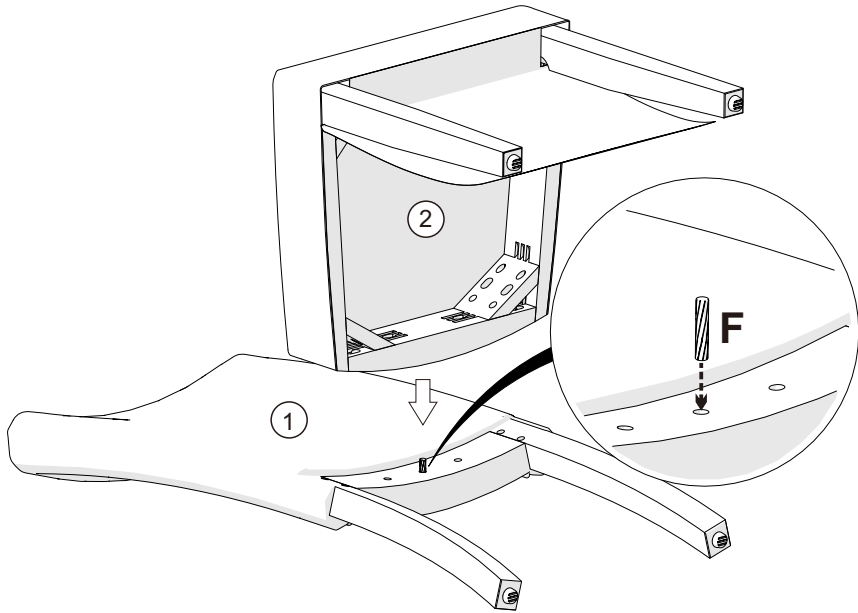
5mm Ball end
Hex wrench



Please do not assemble with power tools

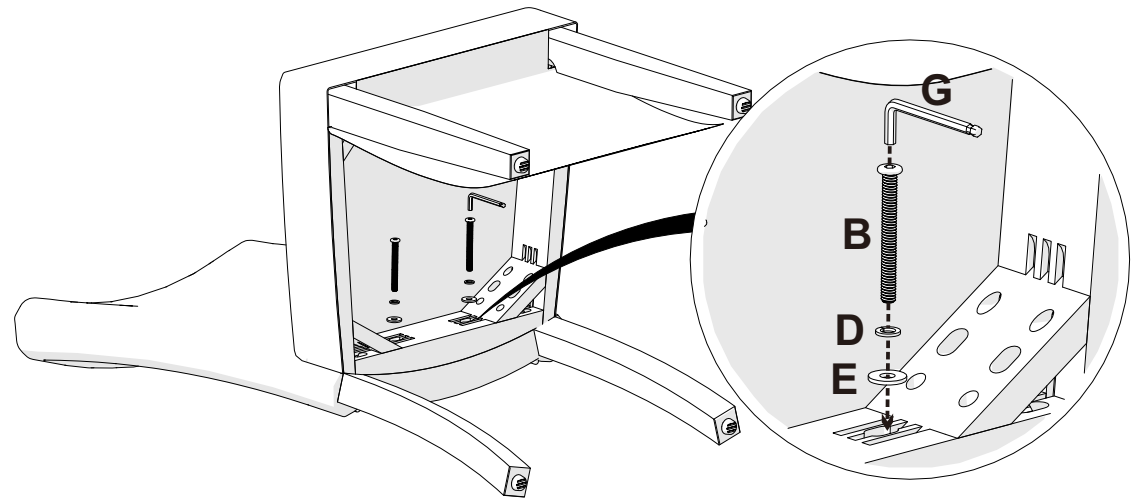
step 2.

1



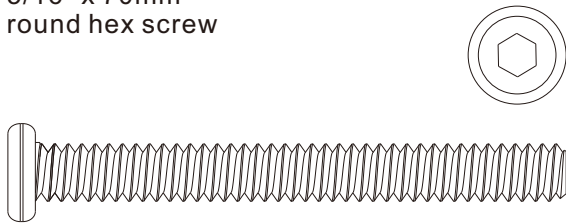
2

Do not tighten these two bolts until the next step.



(B) x 2

5/16" x 70mm
round hex screw



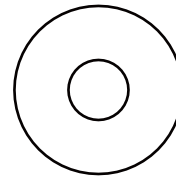
(D) x 2

Φ 8mm lock washer



(E) x 2

Φ 22mm flat washer



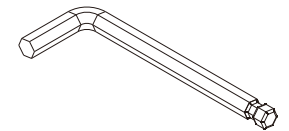
(F) x 1

dowel 10x40mm



(G) x 1

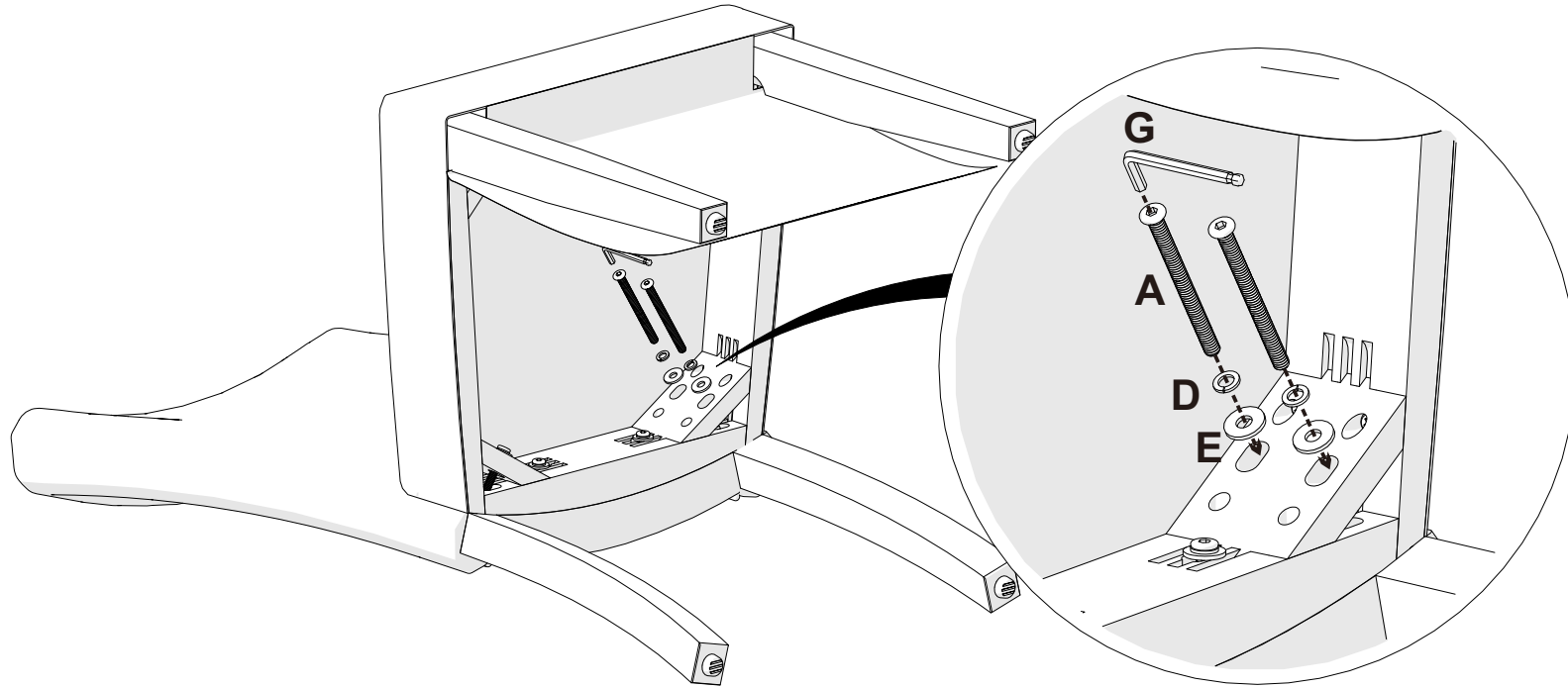
5mm Ball end
Hex wrench



Please do not assemble with power tools

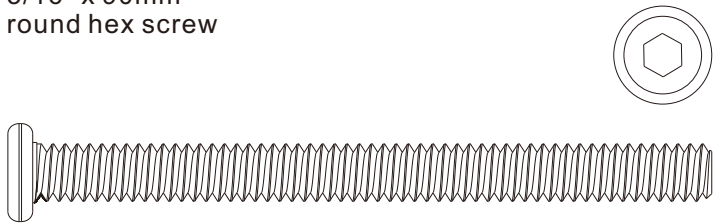
step 3.

1 Now you may tighten all 6 bolts.



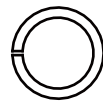
(A) x 4

5/16" x 90mm
round hex screw



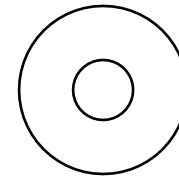
(D) x 4

Φ 8mm lock washer



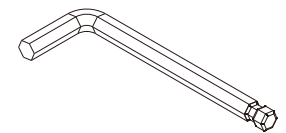
(E) x 4

Φ 22mm flat washer



(G) x 1

5mm Ball end
Hex wrench

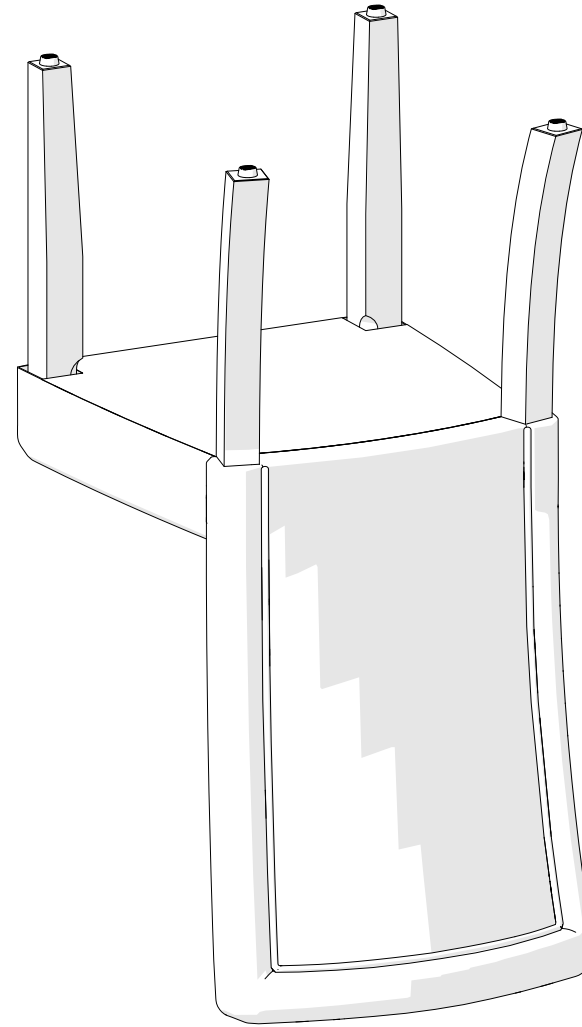
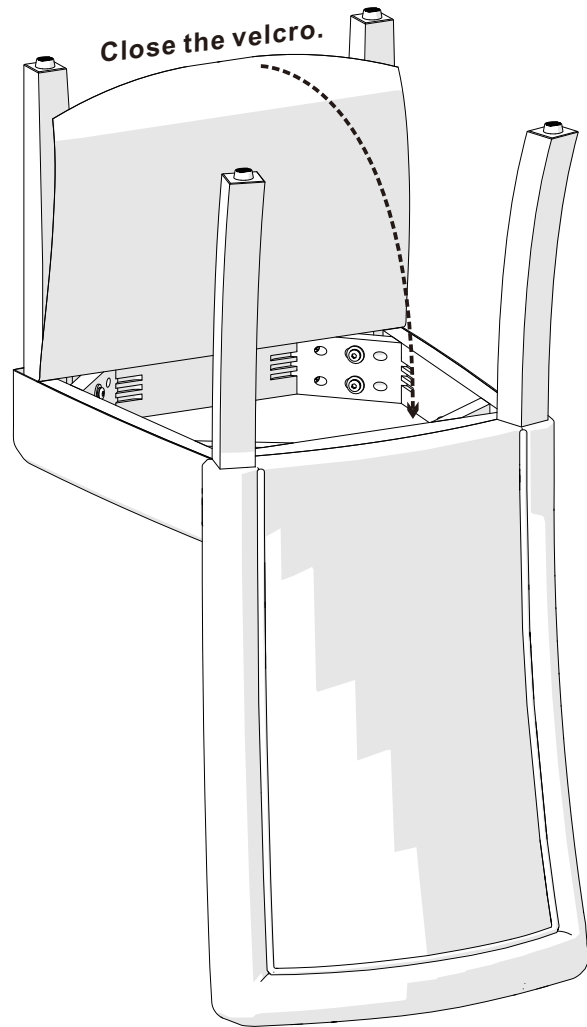


Please do not assemble with power tools

step 4.

.....

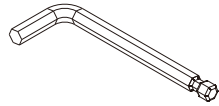
1



step 5.

A friendly reminder from us:

Please keep the Allen wrench.



After a period of time, there may be a chance the KD furniture may become loose, please use an Allen wrench to tighten the loose bolts.



Level the furniture, use leveling feet if needed.