

## WARNING

- \* Switch off the main electrical supply from the main fuse box / circuit breaker before installation.
- \* Inspect item carefully before attempting to install.
- \* If there is any damages or obvious defects, do not install.
- \* Item may not be returned once it has been installed.







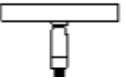





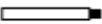


## CARE AND MAINTENANCE

- \* To clean the outside of the fixture, use a dry or slightly dampened clean cloth (use clean water, never a solvent) to wipe the surface of the fixture.
- \* To clean the inside of the fixture, first disconnect power to the fixture by turning off the circuit breaker or by removing the fuse at the fuse box. Next, use a dry or slightly dampened clean cloth (use clean water, never a solvent) to wipe the interior surface of the fixture.
- \* Do not use any cleaners with chemical, solvents or harsh abrasives. Use only a dry soft cloth to dust or wipe carefully.

## NOTICE& IMPORTANT SAFETY INSTRUCTIONS

- \* Please make sure that you have all parts indicated before you begin assembly of this item
- \* This item should be assembled on a soft surface to prevent scratching the finish during assembly
- \* To reduce the risk of fire, electrical shock or injury to persons or property, please follow the guideline below for safe use and installation
- \*The external flexible cable or cord of this lamp cannot be replaced  
If the cord is damaged, the lamp shall be destroyed

### Part List and Hardware List

PIECE	DESCRIPTION	PICTURE	QUANTITY	PIECE	DESCRIPTION	PICTURE	QUANTITY
A	Mounting Plate		1X	I	Closable linkwith cap		4X
B	Wire Nut		3X	J	Hanging Rod 1		2X
C	Mounting Screw		2X	K	Hanging Rod 2		2X
D	Canopy with Swivel		1X	L	Lamp Body		1X
E	Canopy Nut		2X	M	Socket Sleeve		5X
F	Long Tube		2X	N	Bulb		5X
G	Short Tube		2X	O	Shade		5X
H	Connector		1X				

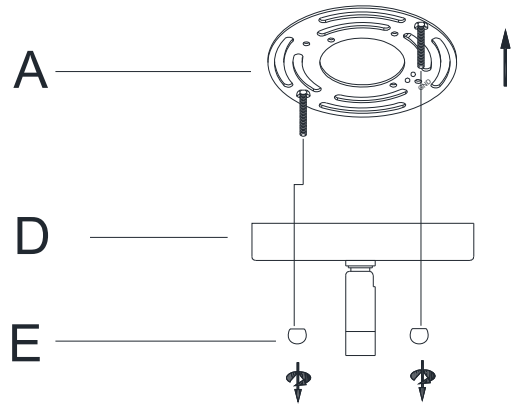
Product Dimensions: 37.5"L\*6"W\*32.5"H



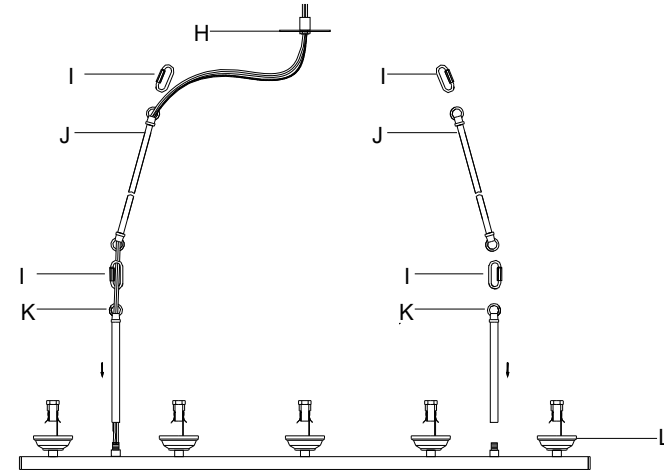
## PREPARATION

- \* Before beginning assembly of product, make sure all parts are present. Compare parts with package contents list and hardware contents list.
- \* If any part is missing or damaged, do not attempt to assemble the product.
- \* Estimated Assembly Time: 20 minutes.
- \* Tools Required for Assembly (not included): Screwdriver, Junction box
- \* If you are having difficulty, our friendly Customer Care team is always here to help.

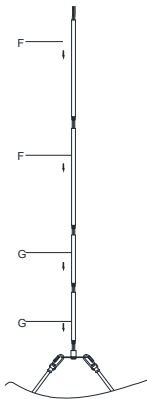
**NOTE: PLEASE USE TYPE "B" BULB MAX 25-WATT OR LED MAX 5-WATT. THERE ARE 5\*4W LED BULBS IN THE BOX.**



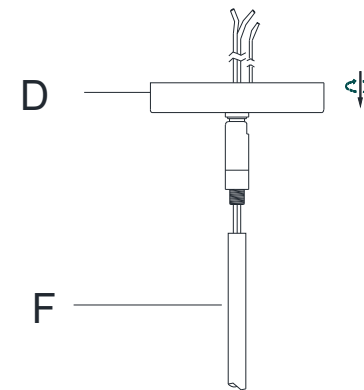
**Step 1:** Unpack all parts from cartons carefully. Separate the Mounting Plate (A) from the Canopy with Swivel (D) by removing the Canopy Nut (E) anti-clockwise till loosening.



**Step 2:** Screw the Hanging Rod 2 (K) onto the Lamp Body (L) clockwise till tight. Connect the Hanging Rod 2 (K) and the Hanging Rod 1 (J) together with Closable Link with Cap (I). Connect the Hanging Rod 1 (J) and the Connector (H) together with Closable Link with Cap (I). Insert the power cords through the Connector (H)



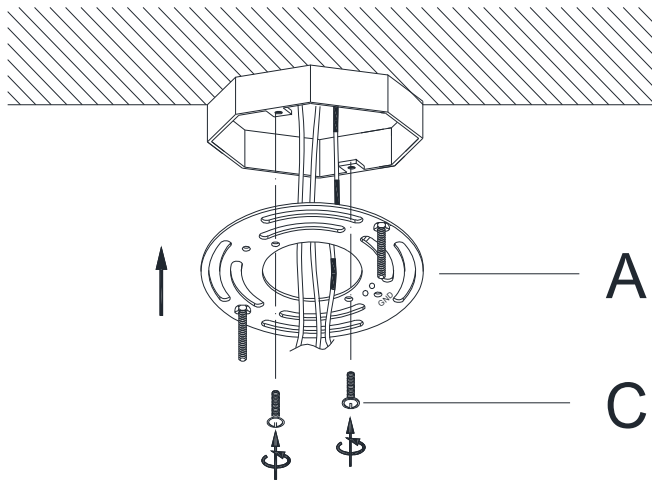
**Step 3:** Insert the power cords through the Short Tube (G) and Long Tube (F) as desired length, **making sure the threaded nipple of each tube is downward**. Rotate each tube clockwise till tight to the Connector (H)



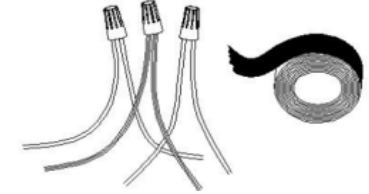
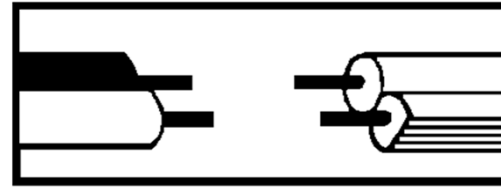
**Step 4:** Insert the power cords through the Canopy with Swivel (D), engage the thread nipple of the Canopy Swivel (D) into the top side of Long Tube (F), then cut off the extra cord so that 6" wires at least long within the outlet junction box.

## PREPARATION

- \* Before beginning assembly of product, make sure all parts are present. Compare parts with package contents list and hardware contents list.
- \* If any part is missing or damaged, do not attempt to assemble the product.
- \* Estimated Assembly Time: 20 minutes.
- \* Tools Required for Assembly (not included): Screwdriver, Junction box
- \* If you are having difficulty, our friendly Customer Care team is always here to help.



**Step 5:** Attach the Mounting Plate (A) onto the ceiling junction box and secure it by tightening 2 Mounting Screws (C) with a screwdriver until secure.



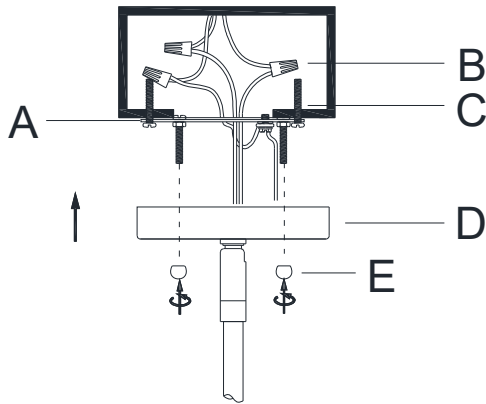
### Step 6: Wire connection

Connect fixture neutral wire (ribbed) to the outlet box neutral wire (usually white) using a wire nut.  
Connect fixture hot wire (smooth with markings) to the outlet box hot wire (usually black) using a wire nut.

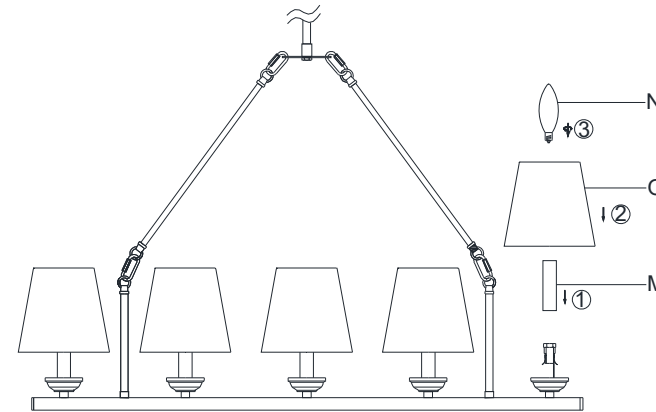
**CAUTION:** Do not reverse the hot and neutral connections

### Grounding Instructions:

Wrap ground wire from outlet box around green ground screw on mounting bracket, no less than 2" from wire end. Tighten ground screw. If fixture is supplied with a ground wire, connect to outlet ground wire with a wire nut.



**Step 7:** Raise the Canopy with Swivel (D) over the Mounting Plate (A), making sure 2 threaded rods extend downwards through 2 holes on the Canopy with Swivel (D). Fix the Canopy with Swivel (D) in place by turning the Canopy Nuts (E) clockwise until tight.



**Step 8:** Attach the Socket Sleeves (M) on to the sockets, place the spider of the Shade (O) onto the Socket Sleeves (M), then insert the bulbs (N) into the sockets until secure. **DO NOT EXCEED THE SPECIFIED WATTAGE.**