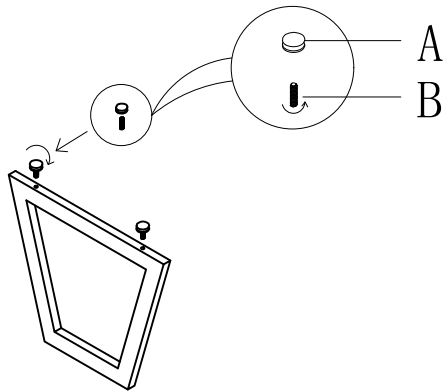
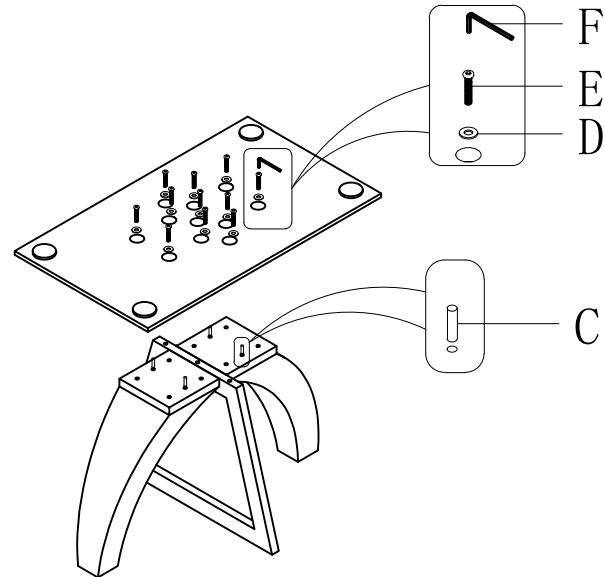


# ASSEMBLY INSTRUCTION

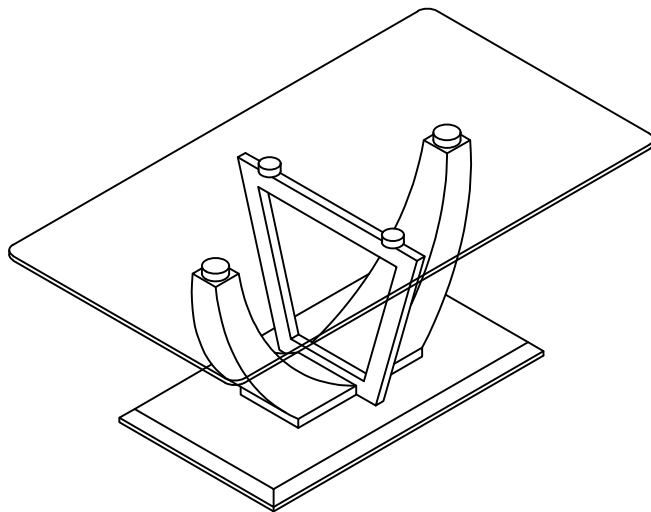
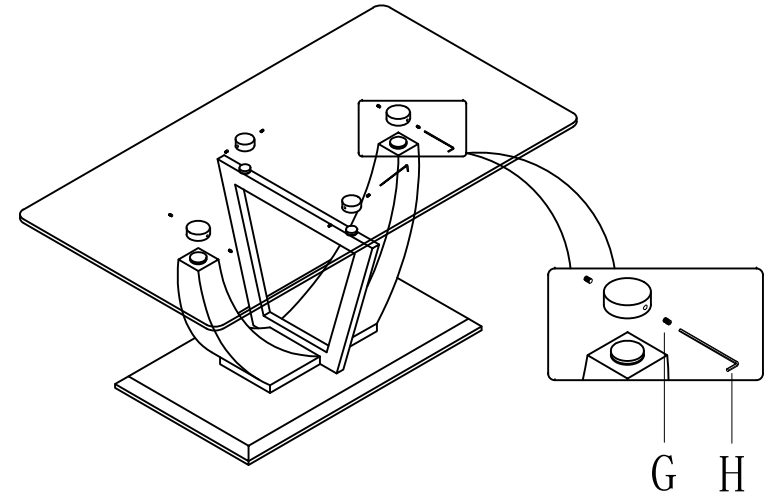
STEP1



STEP2











STEP3



DON'T FULLY TIGHTEN "E" BOLTS UNTIL AFTER GLASS TABLE TOP IS ASSEMBLED

DI-118

A		2pcs
B		2pcs
C		4pcs
D		11pcs
E		11pcs
F		1pc
G		8pcs
H		1pc