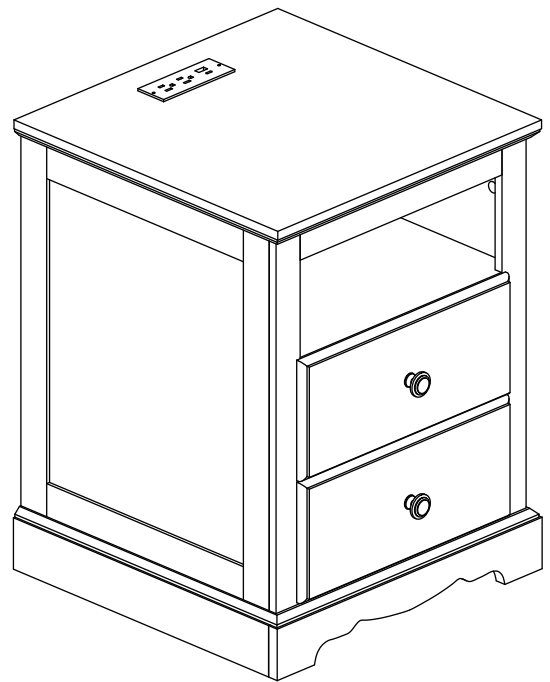
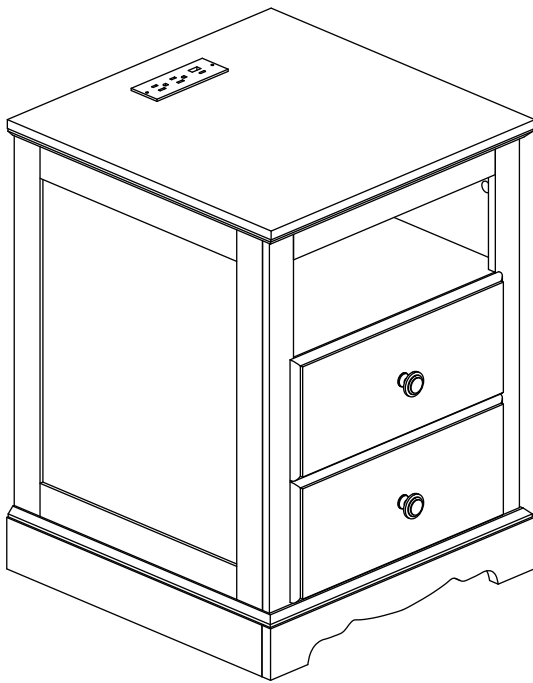


2 Drawer Cabinet

Assembly Instruction - Please keep properly for future reference.

If you find any missing boxes, damaged parts, or accessory shortages, please contact the customer service team of your purchasing channel immediately. We will resolve the issue as quickly as possible.



Dimensions

Width-18.1 inch
Depth-18.1 inch
Height-24.2 inch

EN

THE FOLLOWING INFORMATION:

- Order number
- Purchase platform
- Purchase date
- Detailed description of the issue along with photos (if applicable)

Important – Please read these instructions carefully before starting the installation.



Safety and Care Advice

Important – Please read these instructions fully before starting assembly

- Check you have all the components and tools listed on the following pages.
- Remove all fittings from the plastic bags and separate them into their groups.
- Keep children and animals away from the work area, small parts could choke if swallowed.
- Make sure you have enough space to layout the parts before starting.
- During assembly do not stand or put weight on the product, this could cause damage.
- Assemble the item as close to its final position (in the same room) as possible.
- Assemble on a soft level surface to avoid damaging the unit or your floor.
- Parts of the assembly will be easier with 2 people.



• To reduce the likelihood of damaging your product please ensure that your power drill is set on a low torque setting.

Care and maintenance

- Only clean using a damp cloth and mild detergent, do not use bleach or abrasive cleaners.
- From time to time check that there are no loose screws on this unit.
- This product should not be discarded with household waste. Take to your local authority waste disposal centre.

Handy Hints

- Assemble all parts and bolts loosely during assembly, only once the product is complete should you fully tighten the bolts
- Regularly check and ensure that all bolts and fittings are tightened properly .

WARNING In order to help prevent overturning – please follow these instructions

To help prevent product toppling over please follow the below steps:-

Use the anti tip strap or wall fixing method provided (if applicable)
Do not allow children to climb or hang on the furniture
Do not open more than one drawer at a time
Do not place heavy items in the top drawers
Do not place heavy items on top of the furniture, unless the furniture has been designed for this purpose

Please note that only the anti tip strap is provided.
You will need to provide wall plugs and screws applicable for your wall type

CUSTOMER SERVICE GUIDE

Thank you for choosing our product! We are committed to providing you with excellent service. If you find any missing parts, damaged packaging, or product damage after receiving all packages, please follow the steps below to quickly contact our customer service team. We will do our best to resolve your issue.

1. Missing Parts

Verify Parts:

1. Refer to the “Parts List” in the manual to verify the name, specifications, and quantity of the missing parts.
2. Take a clear photo of the parts list and mark the missing parts with detailed information, e.g., “Missing 5 pieces of M6x30mm screws.”

Contact Us:

- A description of the missing parts and a photo of the parts list.
- Order details (order number, purchase platform, purchase date).

2. Product or Packaging Damage

If it affects normal use:

Steps:

Take clear photos or videos showing the damaged parts and the extent of the damage (multi-angle shots are recommended).

Resolution:

After verification, we will arrange for a replacement part, product exchange, or refund as quickly as possible.

If it does not affect normal use:

Steps:

1. Contact our customer service team
2. Provide a description of the damage and include relevant photos or videos.

Resolution:

We will provide repair guidance or an appropriate compensation plan based on the specific situation.

Helpful Tips

To process your issue efficiently, please prepare the following information:

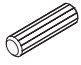
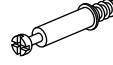

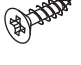
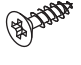
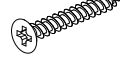


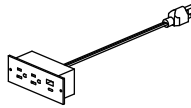

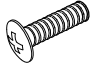
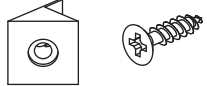
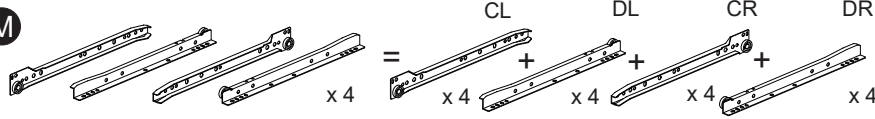
- Order details (order number, purchase platform, purchase date).
- Clear photos or videos.
- We are committed to providing quick and professional solutions, no matter the size of the issue, to ensure your satisfaction.

Thank you for your trust and support! We hope you enjoy using our product!


Componets - Fittings

Please check you have all the fittings listed below

Note: The quantities below are the correct amount to complete the assembly. In some cases more fittings may be supplied are required.

A  6*30mm Wooden Dowel x 60	B  6*35mm Cam Bolt x 68	C  Cam Lock x 68
D  4*12mm Screw x 4	E  3*12mm Screw x 48	F  4*30mm Screw x 16
G  4*35mm Screw x 16	H  4*40mm Screw x 12	I  x 2
J  x 4	K  4*18mm bolt x 4	L  x 16
M 		

Tools required

 Phillips screwdriver
(medium & large)

Ruler - Use this ruler to help correctly identify the screws

mm

0 5 10 15 20 25 30 35 40 45 50 55 60 65 70 75 80 85 90 95 100 105 110 115 120 125 130 135 140 145 150 155 160 165 170



The screws length is measured from the head to the point (30mm screw shown).

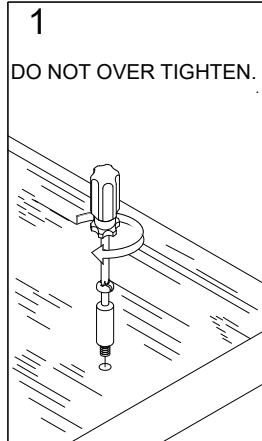
0 1 2 3

inch

Using Camlocks

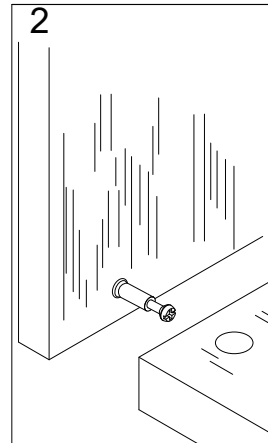
Step 1

Connect the male camlock as directed in the assembly instructions using a screwdriver.



Step 2

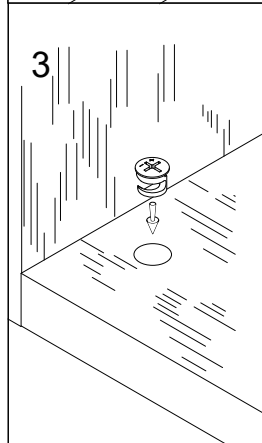
Push the male camlock into the entry hole.



Step 3

Insert the female camlock as shown in the instructions.

Note: ensure that the arrow on the top of the camlock points towards the entry hole for the male camlock.

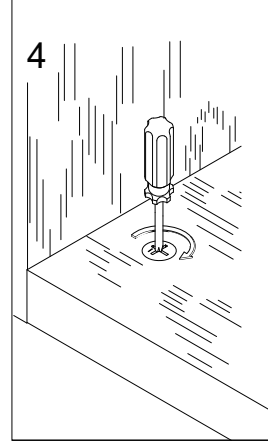


Step 4

Turn the female camlock clockwise with a screwdriver.

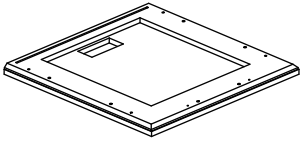
You should feel a click when the camlock is locked in place.

The joint is now secure.

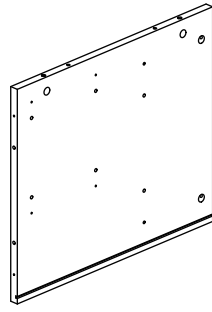


Componets - Panels

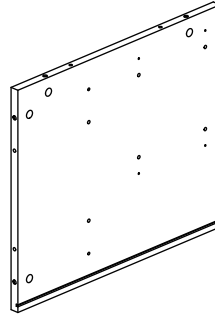
Please check you have all the panels listed below



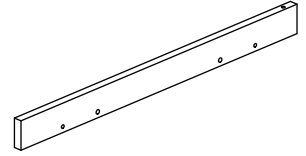
1 (460*460*24mm x2)



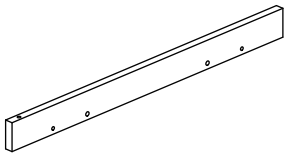
2 (505*433*17mm x2)



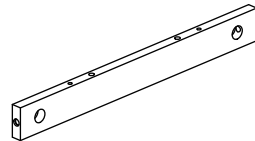
3 (505*433*17mm x2)



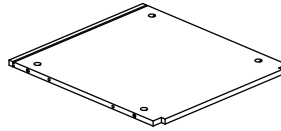
4 (505*42*12mm x2)



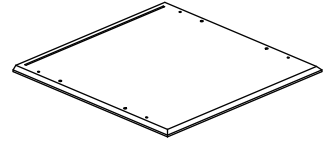
5 (505*42*12mm x2)



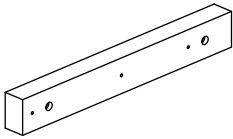
6 (351*38*12mm x2)



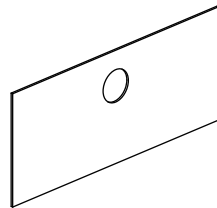
7 (402*444*12mm x2)



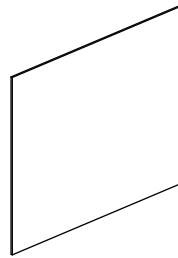
8 (457*457*12m x2)



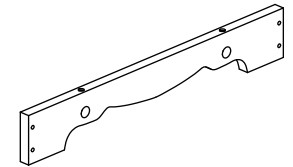
9 (300*40*25mm x8)



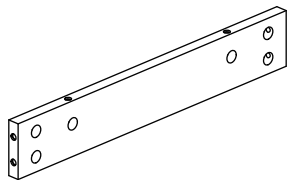
10 (408*178*3mm x2)



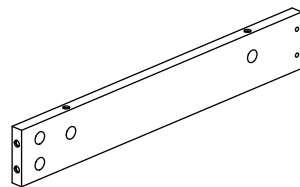
11 (408*330*3mm x2)



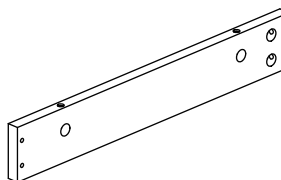
12 (462*70*15mm x2)



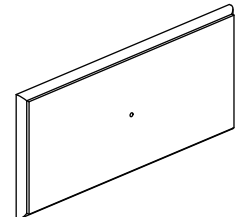
13 (432*70*15mm x2)



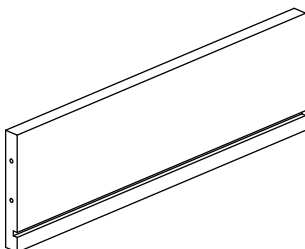
14 (445*70*15mm x2)



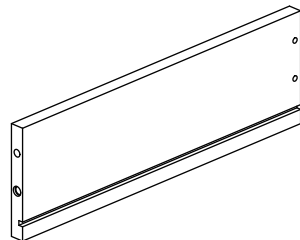
15 (445*70*15mm x2)



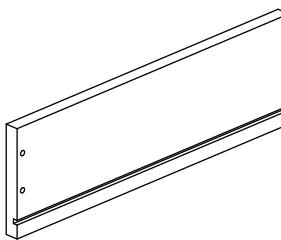
16 (364*164*15mm x4)



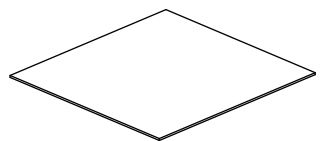
17 (300*95*12mm x4)



18 (300*95*12mm x4)

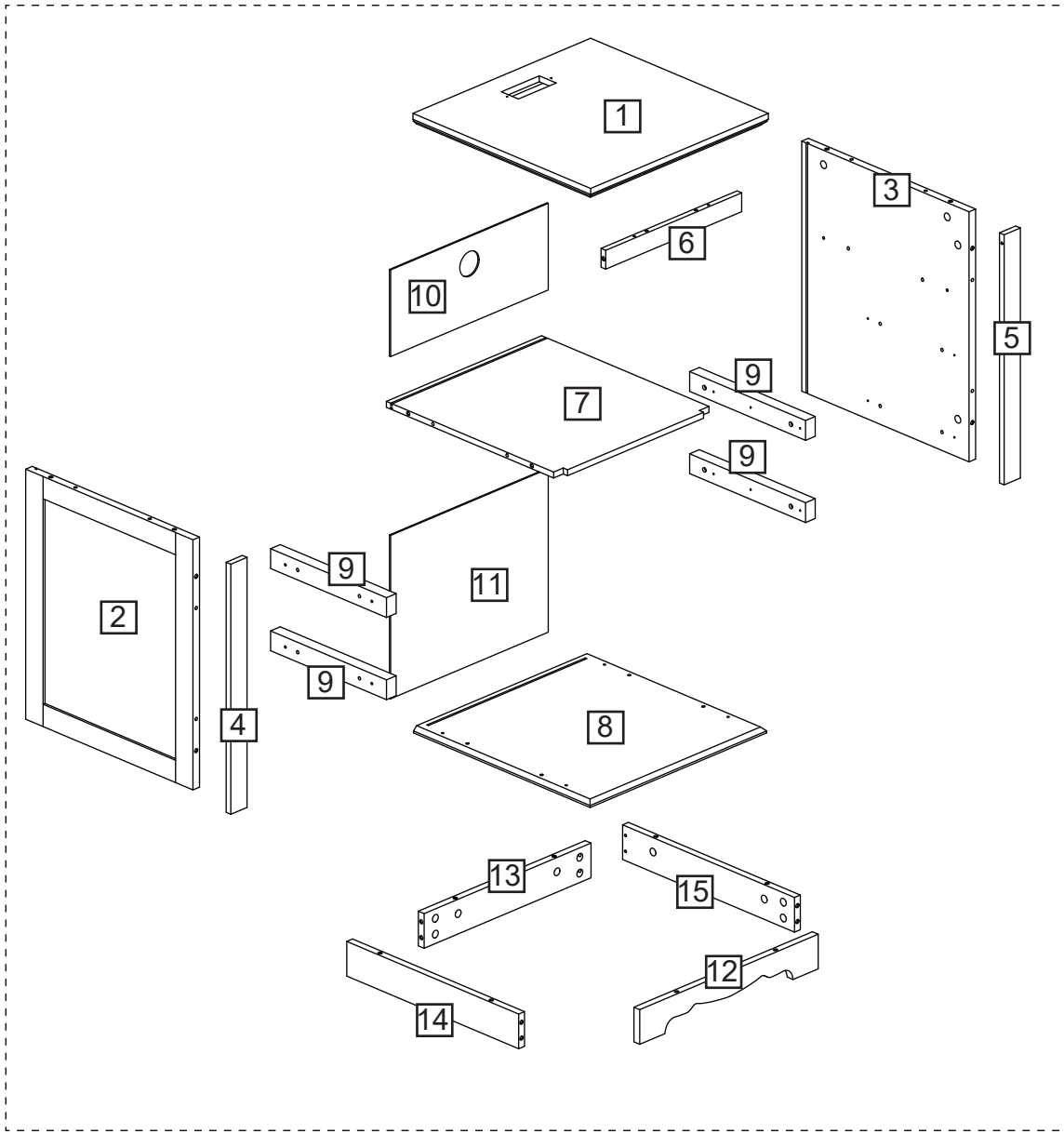


19 (300*95*12mm x4)

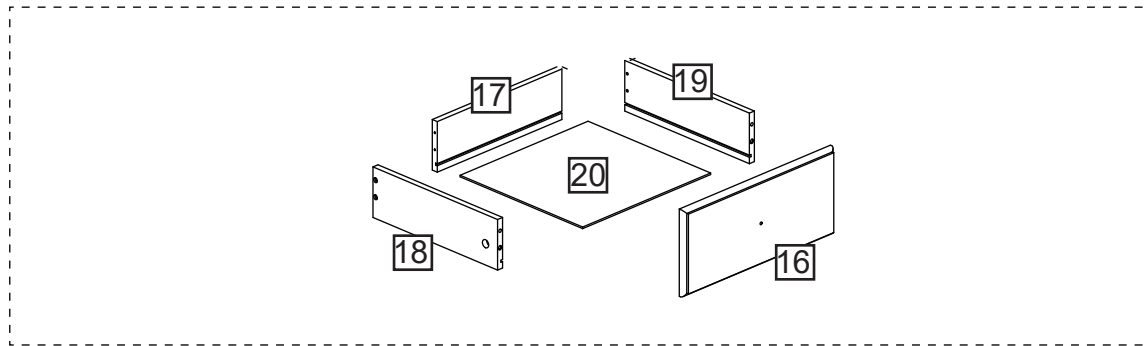


20 (308*295*3mm x4)

Assembly Instructions



x2



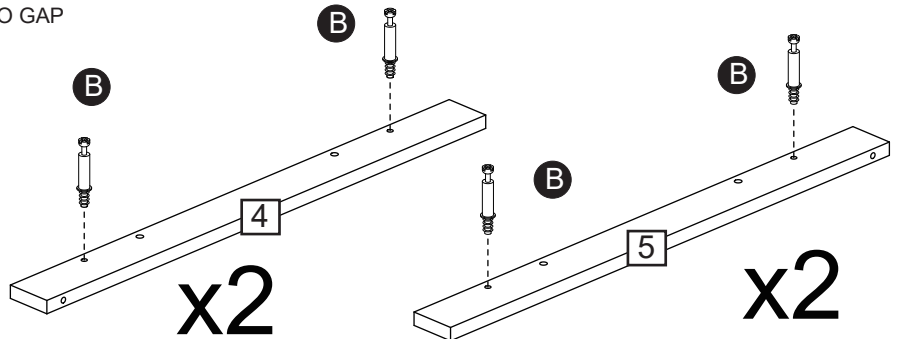
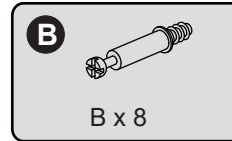
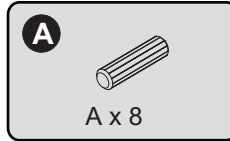
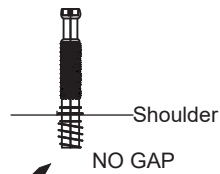
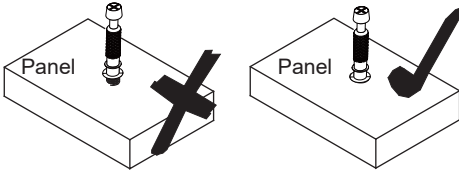
x4

Assembly Instructions

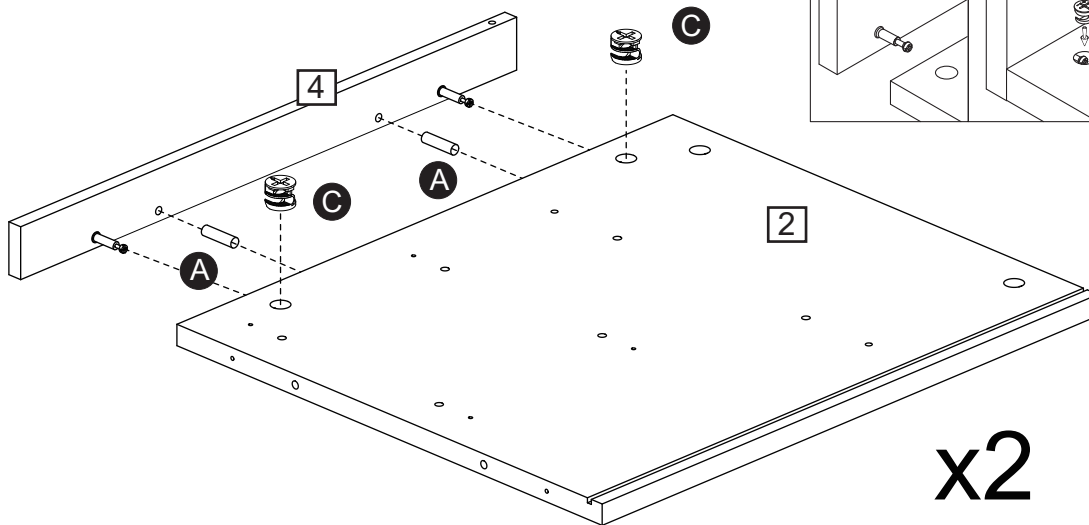
Step 1

CAM-LOCK

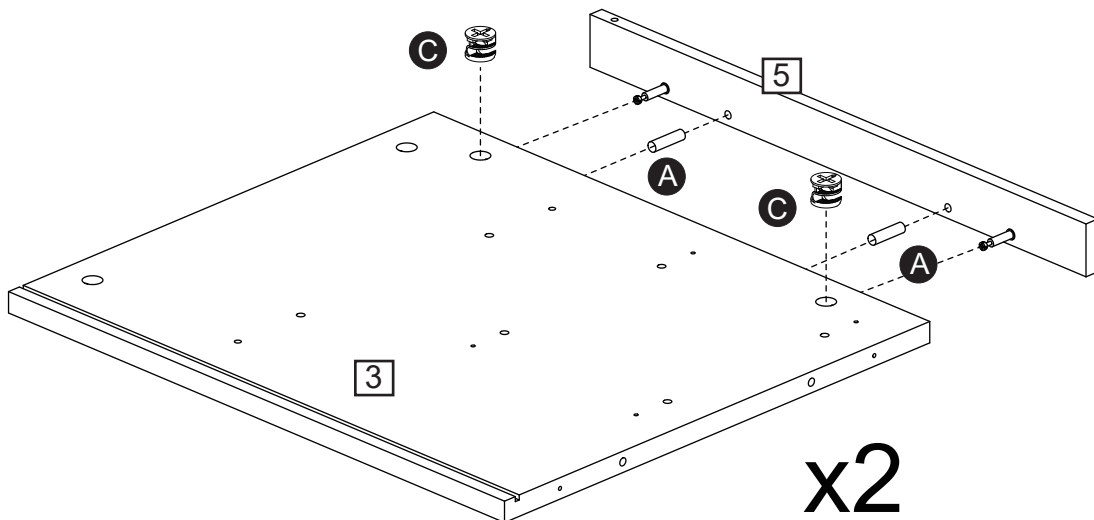
Tighten until shoulder is flush with panel. Do not overtighten or undertighten (see example below)



Secure Cam Bolt (B) to panels (4) and (5).



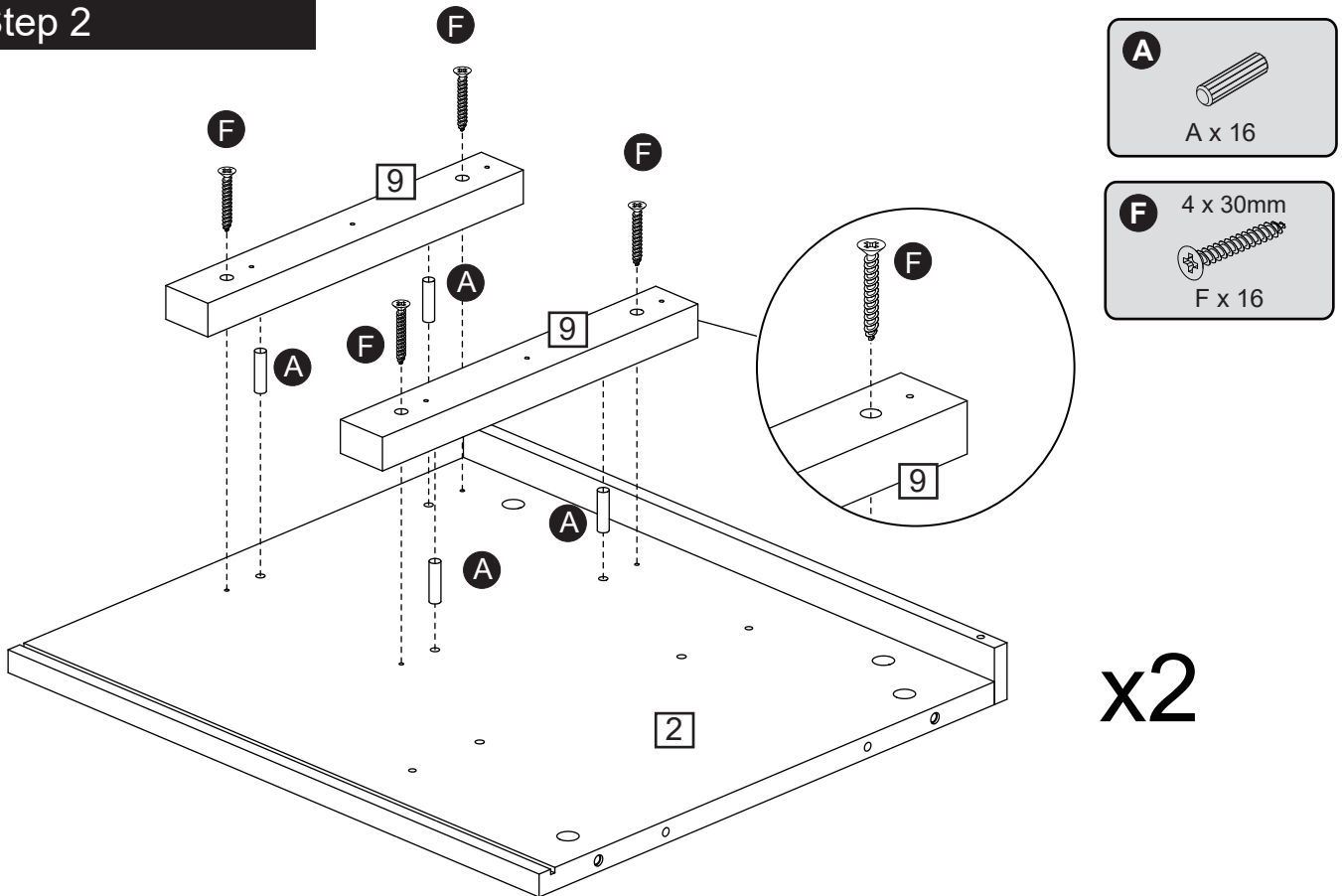
Insert Wooden Dowels (A) into panel (2), attach panel (4) to panel (2), insert cam nuts (C) and tighten.



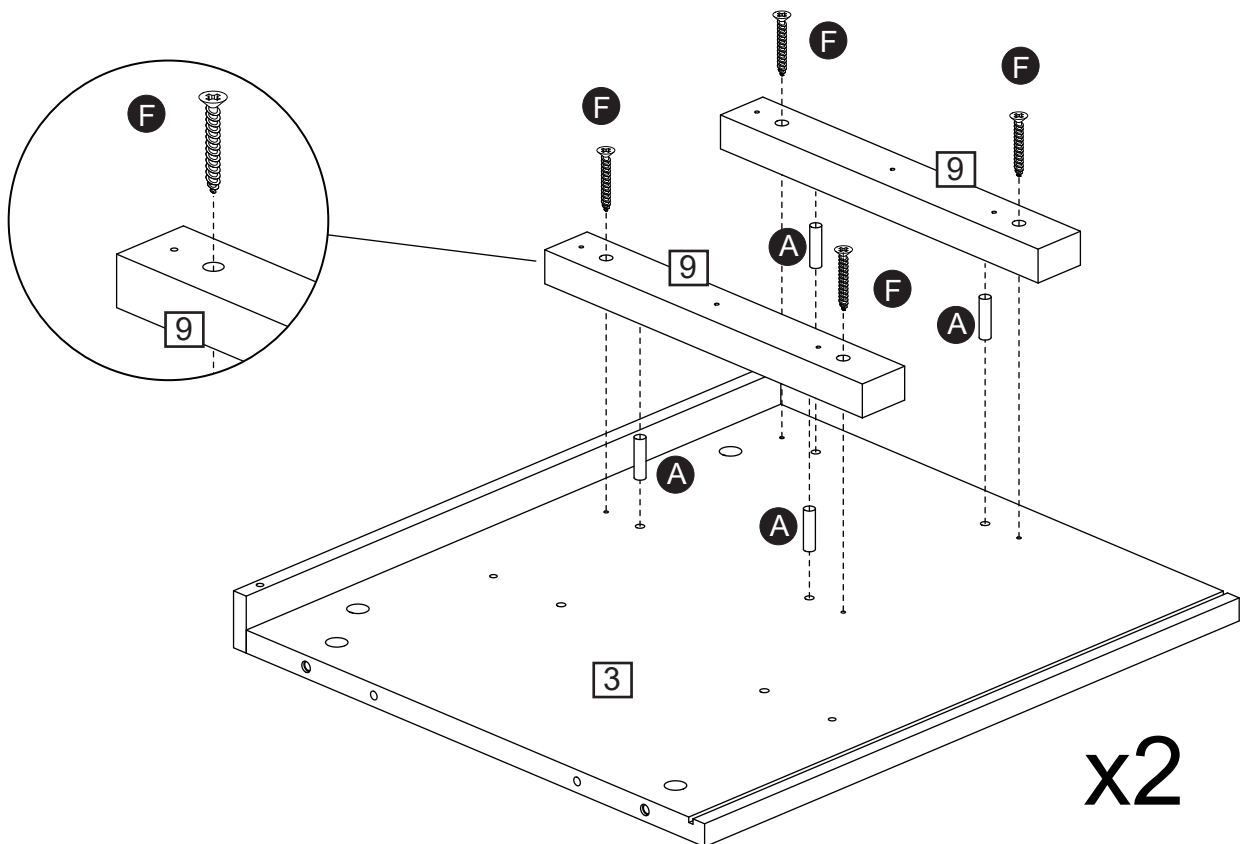
Insert Wooden Dowels (A) into panel (3), attach panel (5) to panel (3), insert cam nuts (C) and tighten.

Assembly Instructions

Step 2



Insert Wooden Dowels (A), then use Screws (F) to attach panel (9) to panel (2).

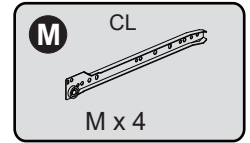
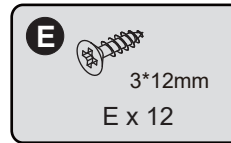
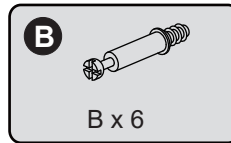
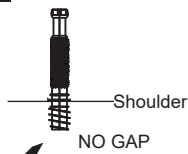
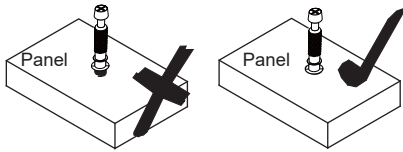


Insert Wooden Dowels (A), then use Screws (F) to attach panel (9) to panel (3).

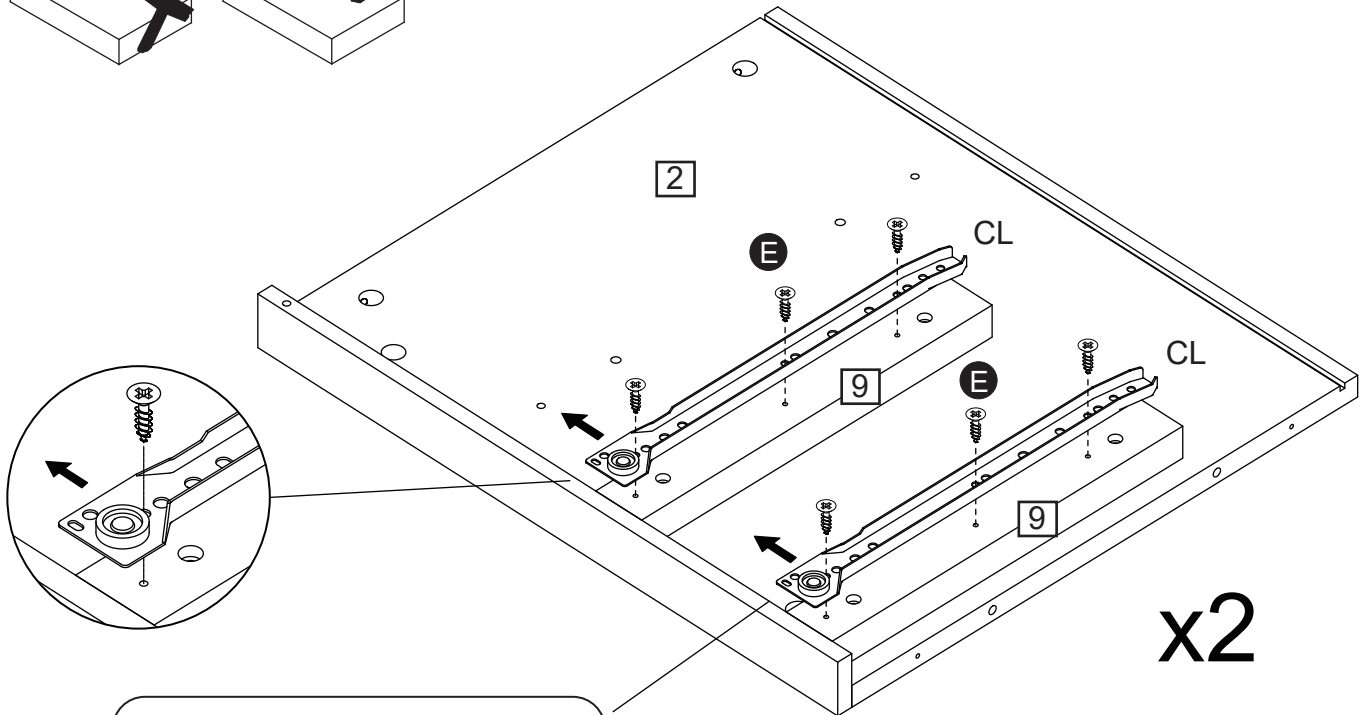
Assembly Instructions

Step 3

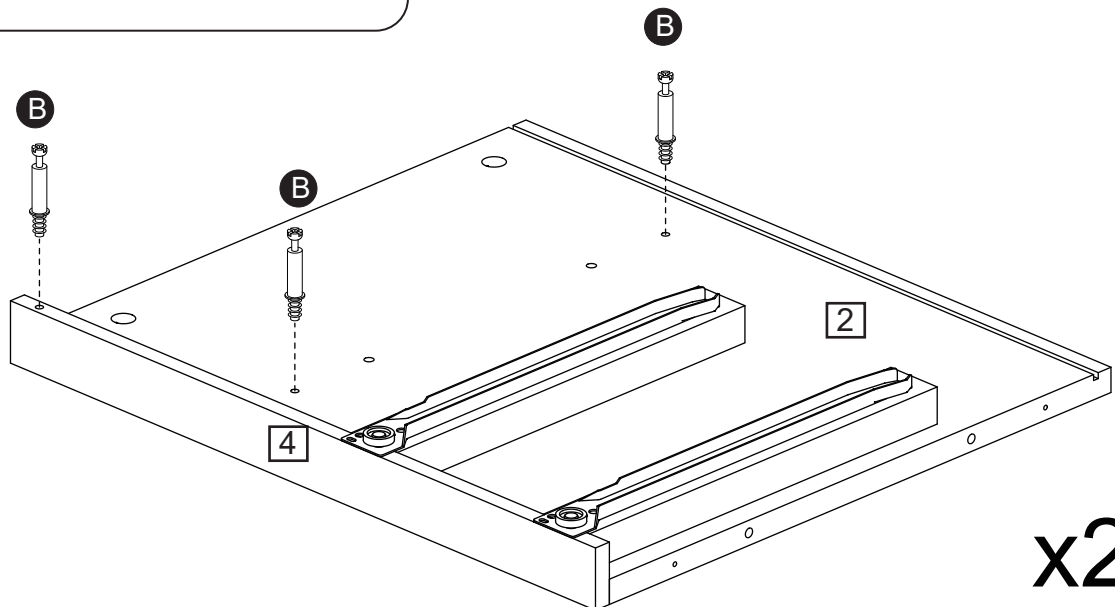
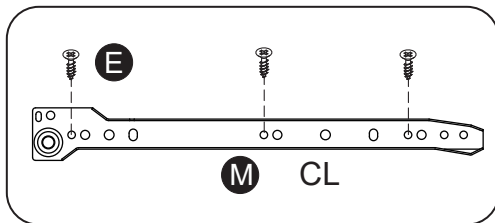
CAM-LOCK
Tighten until shoulder is flush with panel. Do not overtighten or undertighten (see example below)



Use Screws (E) to attach the left slide rail (CL) to panel (9).



x2



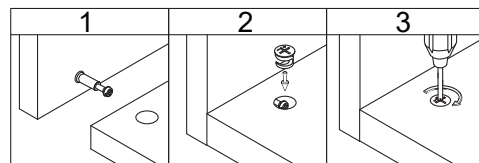
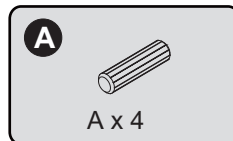
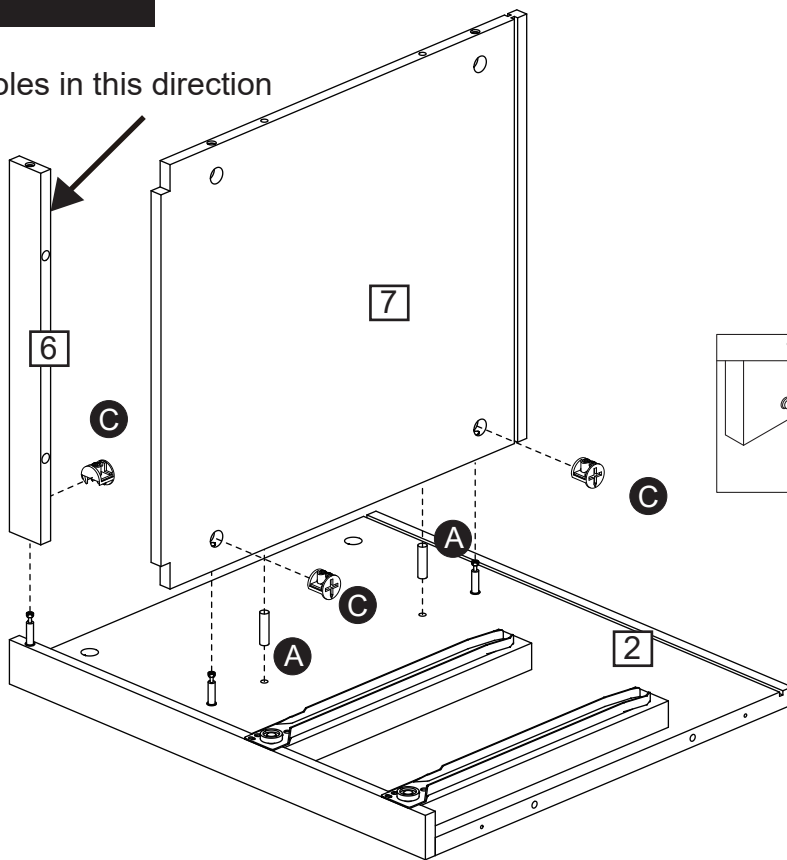
x2

Secure Cam Bolts (B) to panels (2) and (4).

Assembly Instructions

Step 5

Two holes in this direction

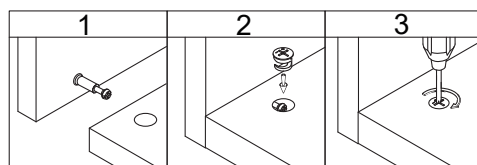
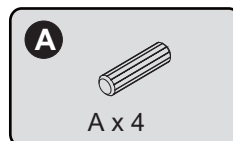
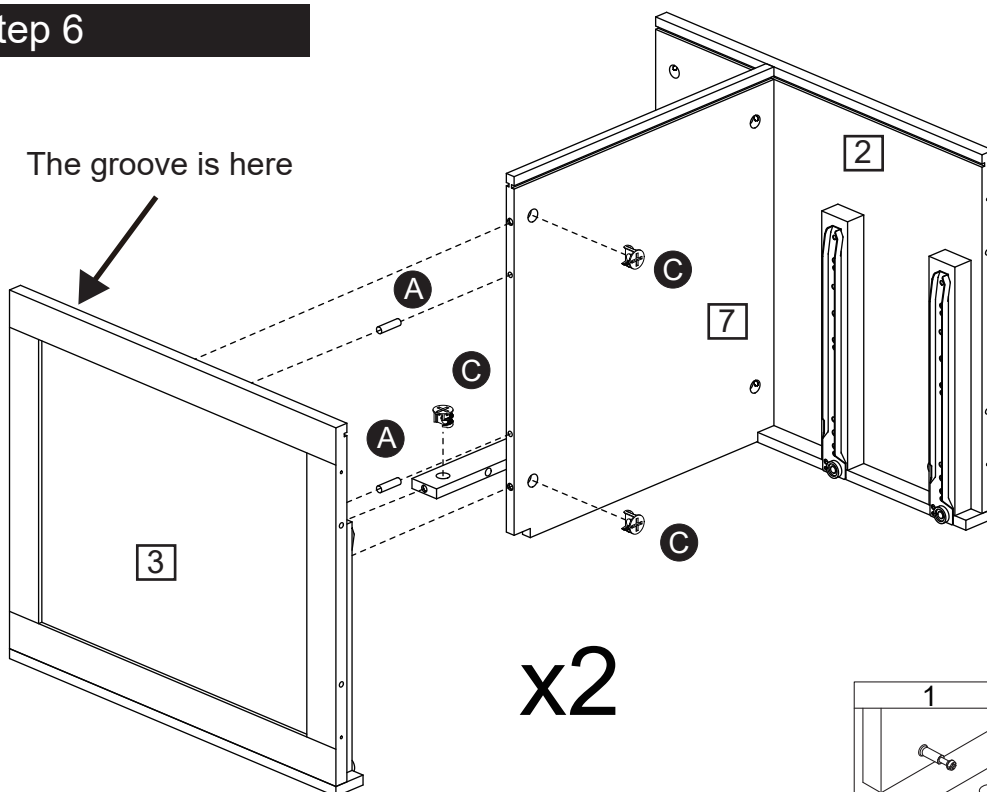


x2

Insert Wooden Dowels (A), then attach panels (6) and (7) to panel (2). Insert cam nuts (C) and tighten.

Step 6

The groove is here

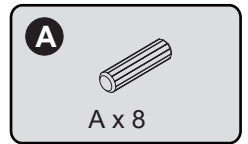
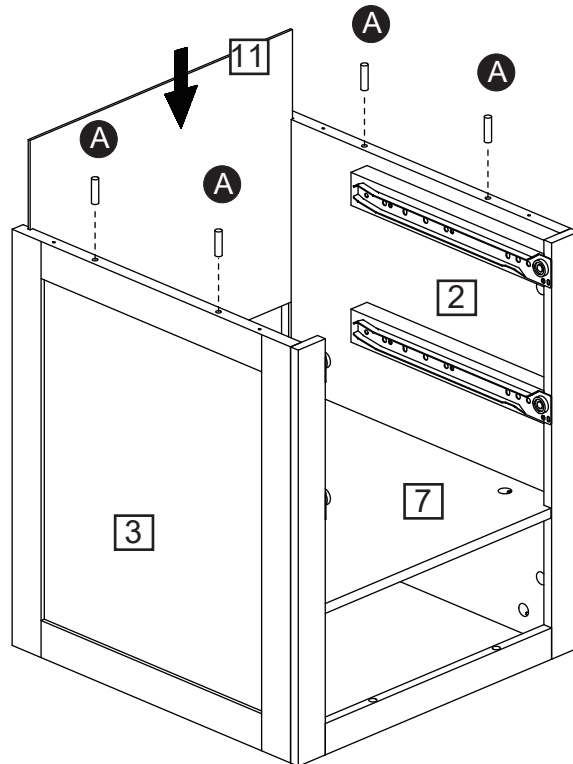


x2

Insert Wooden Dowels (A), then attach panels (3) and (5) to panels (6) and (7). Insert cam nuts (C) and tighten.

Assembly Instructions

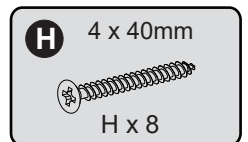
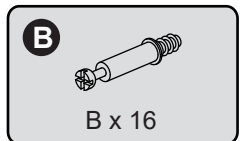
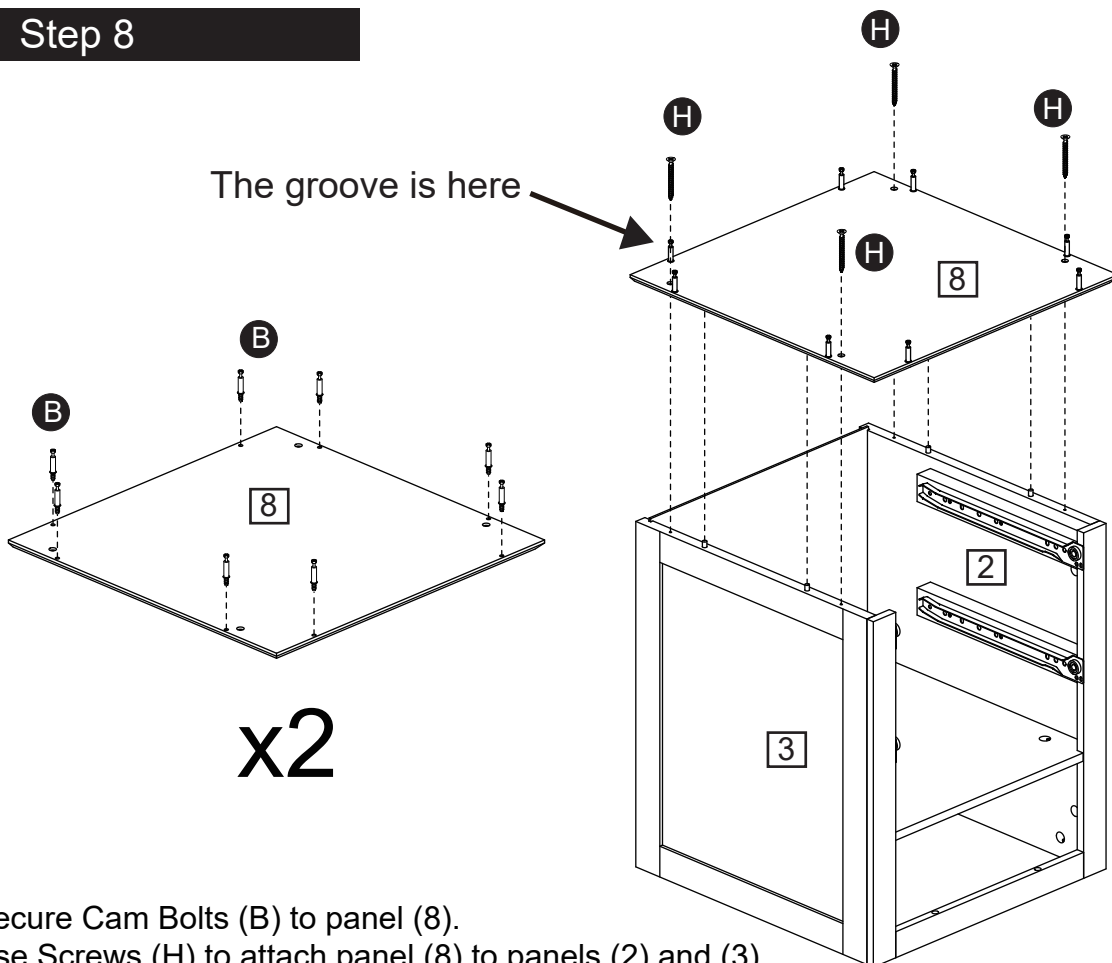
Step 7



x2

Insert Wooden Dowels (A) into panels (2) and (3), then insert panel (11) into the slots of panels (2) and (3).

Step 8



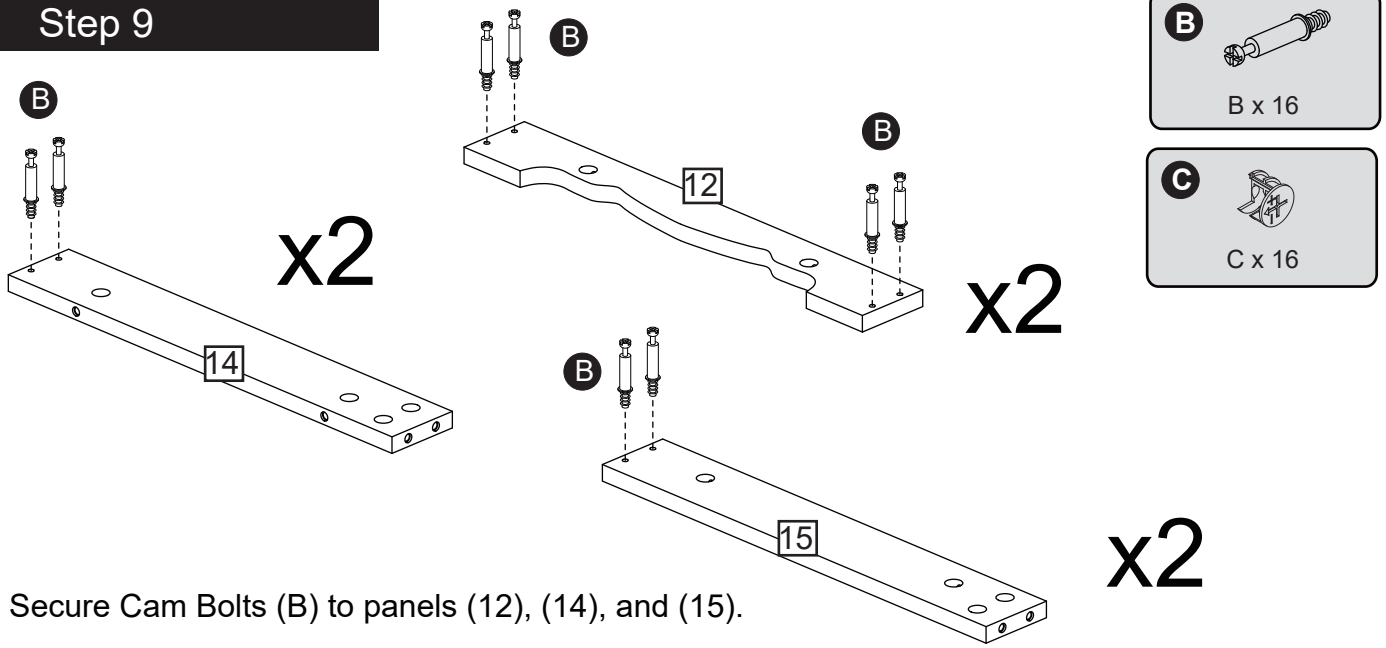
x2

x2

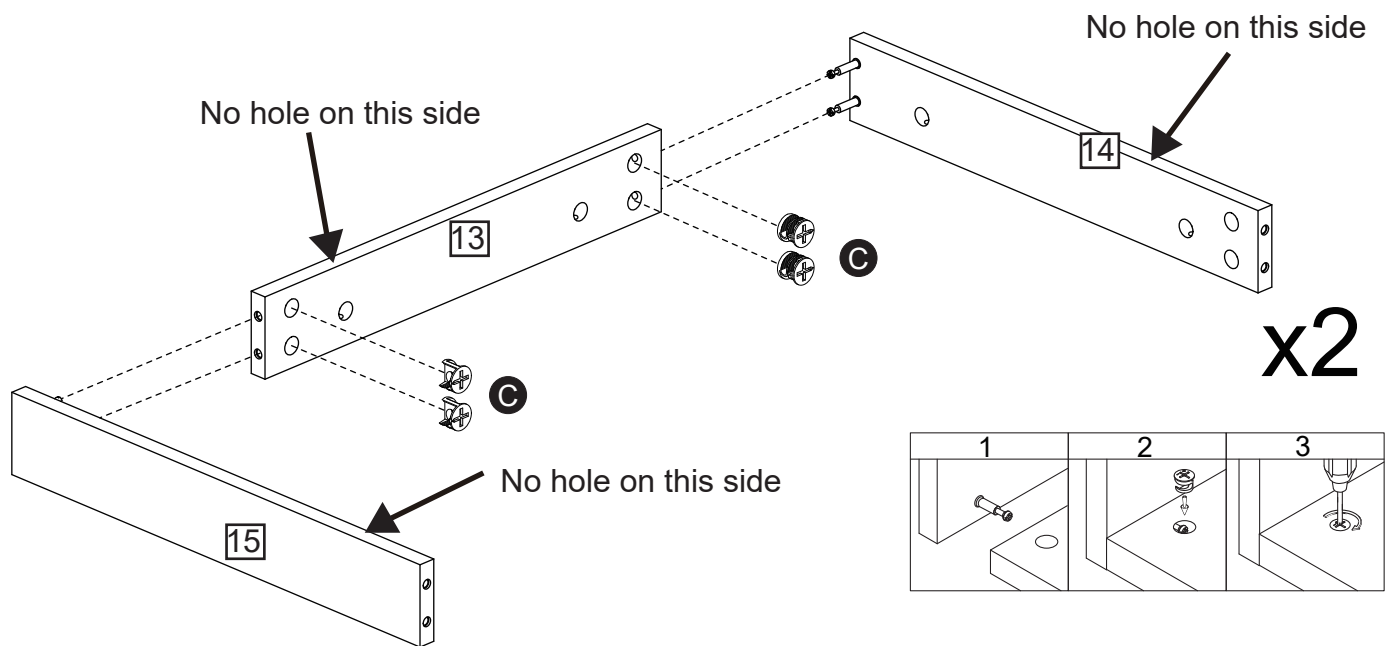
Secure Cam Bolts (B) to panel (8).
Use Screws (H) to attach panel (8) to panels (2) and (3).

Assembly Instructions

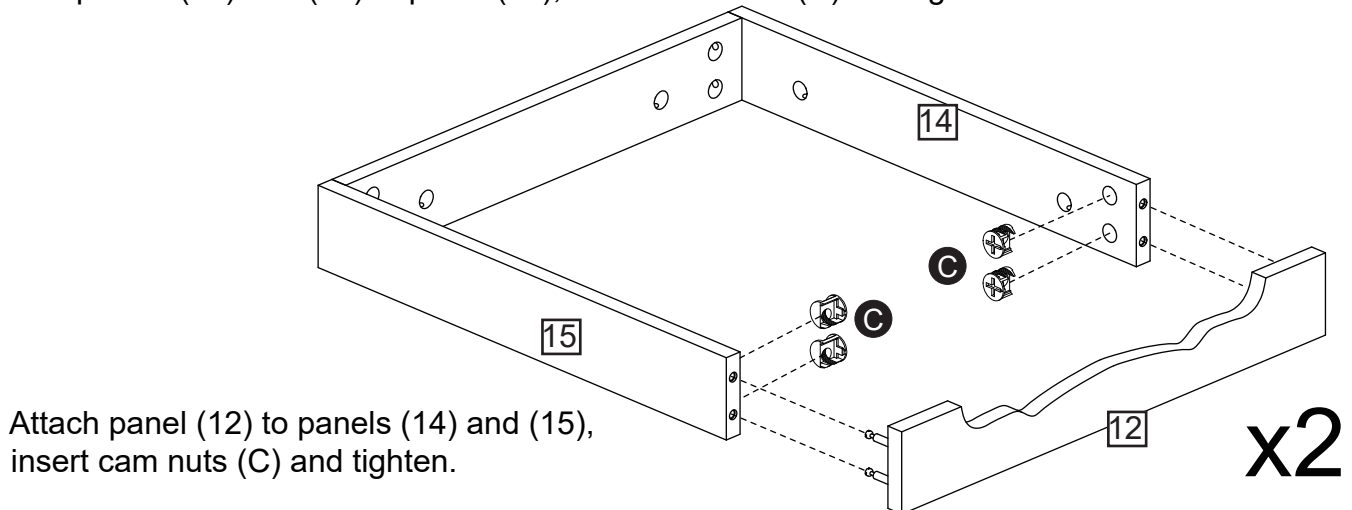
Step 9



Secure Cam Bolts (B) to panels (12), (14), and (15).



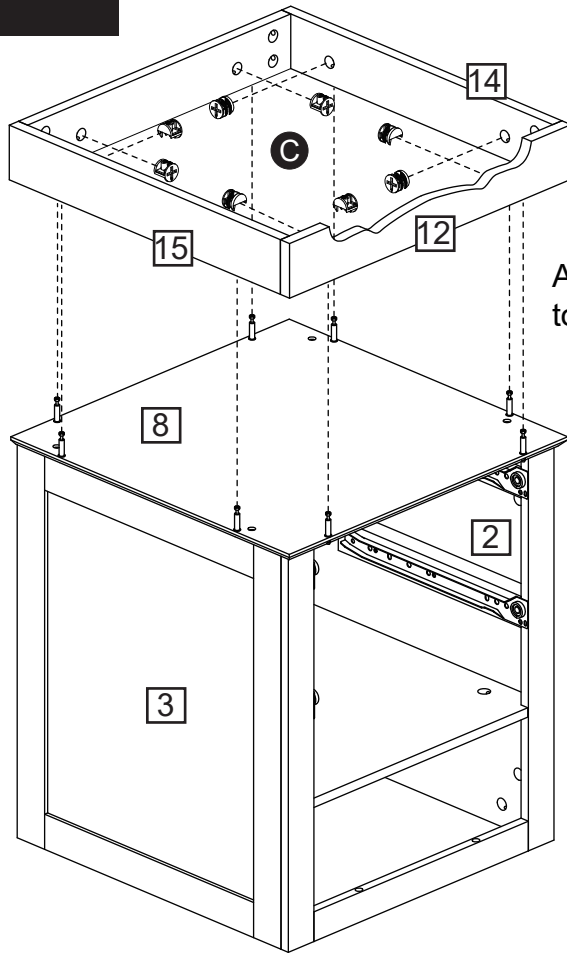
Attach panels (14) and (15) to panel (13), insert cam nuts (C) and tighten.



Attach panel (12) to panels (14) and (15), insert cam nuts (C) and tighten.

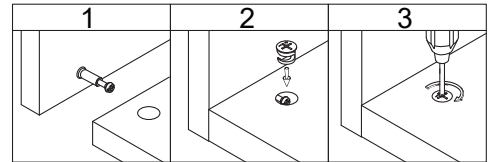
Assembly Instructions

Step 10

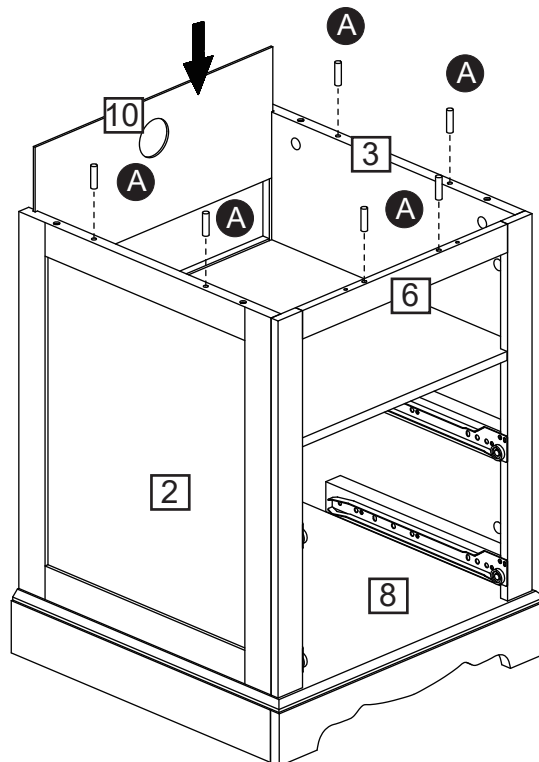


Attach panels (12), (13), (14), and (15) to panel (8). Insert cam nuts (C) and tighten.

x2



Step 11



x2

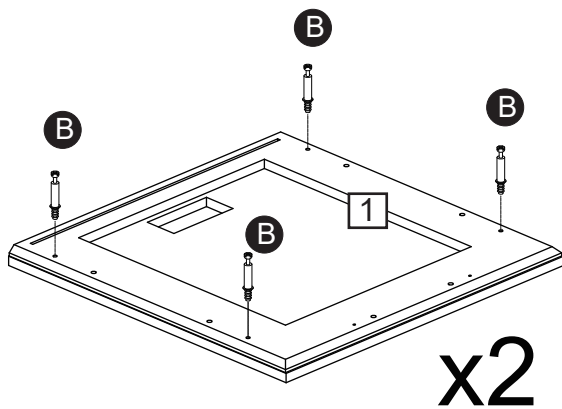
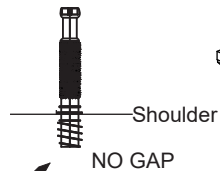
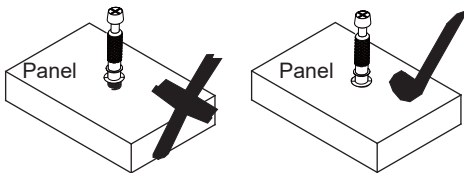
Turn the unit over. Insert Wooden Dowels (A) into panels (2), (3), and (6). Insert panel (10) into the slots of panels (2) and (3).

Assembly Instructions

Step 12

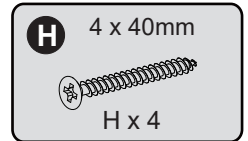
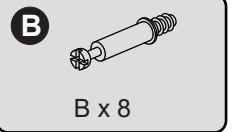
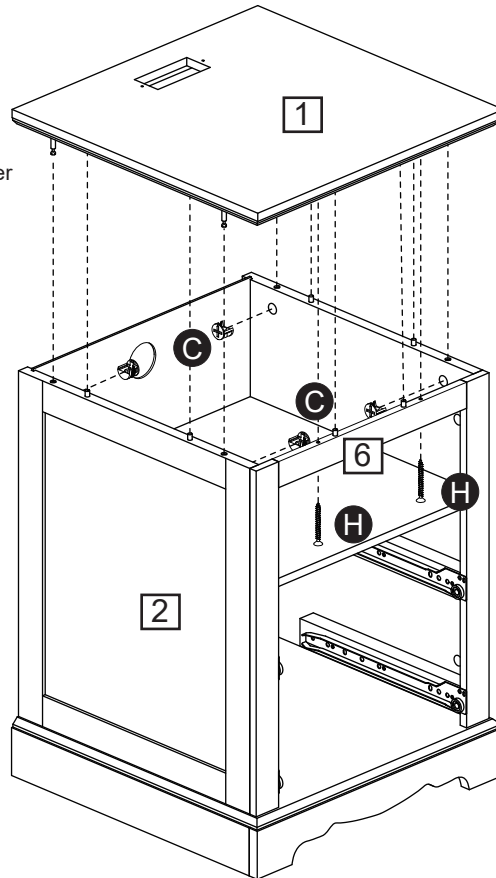
CAM-LOCK

Tighten until shoulder is flush with panel. Do not overtighten or undertighten (see example below)



x2

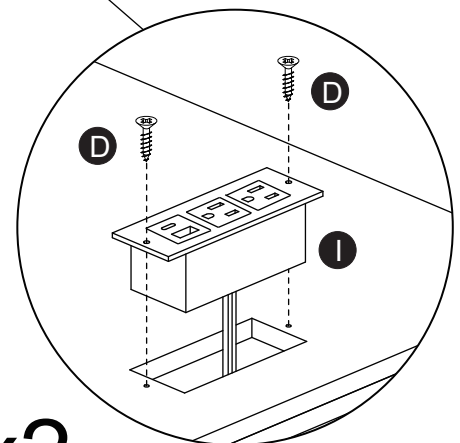
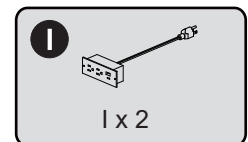
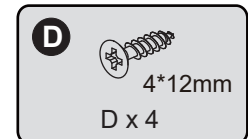
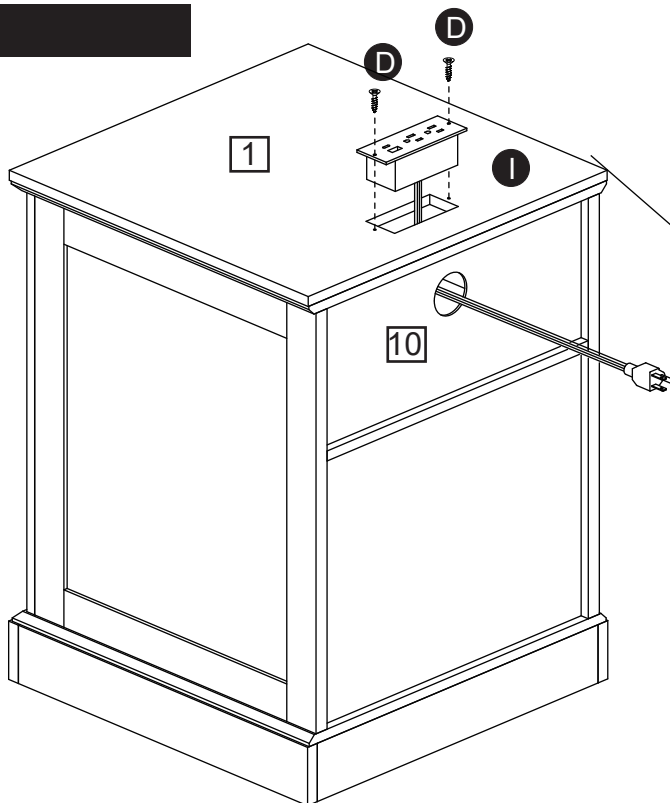
Secure Cam Bolts (B) to panel (1).



x2

Attach panel (1) to panels (2) and (3), insert cam nuts (C) and tighten. Use Screws (H) to attach panel (6) to panel (1).

Step 13

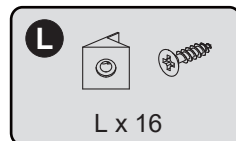
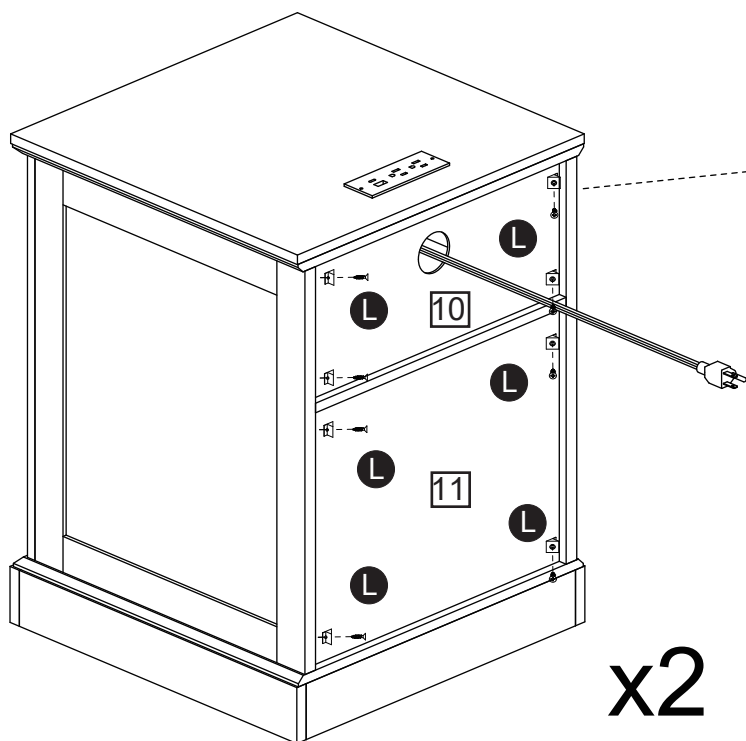


x2

Use Screws (D) to attach the power strip (I) to panel (1).

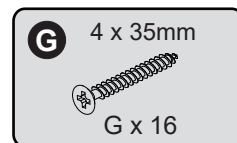
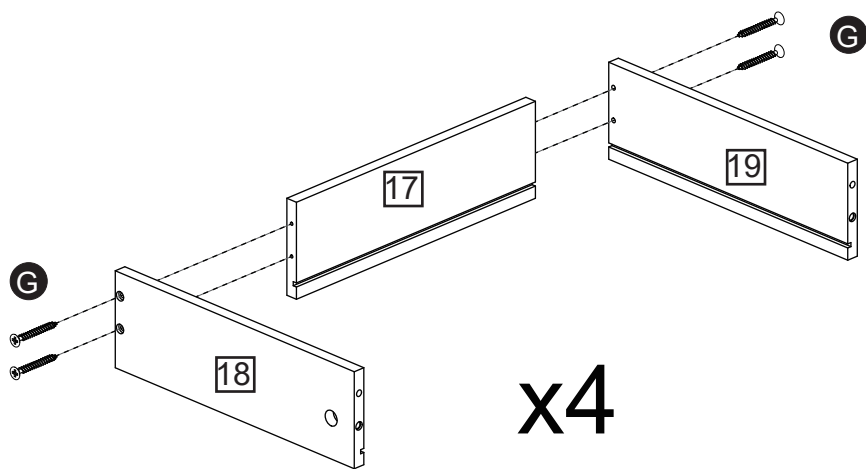
Assembly Instructions

Step 14

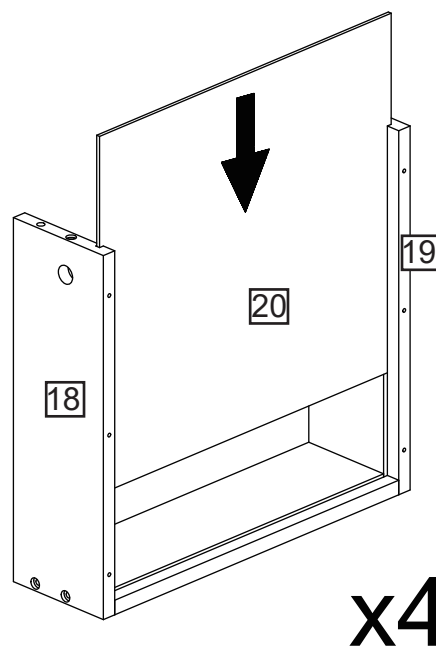


Attach the back panel clips (L) to panels (10) and (11).

Step 15



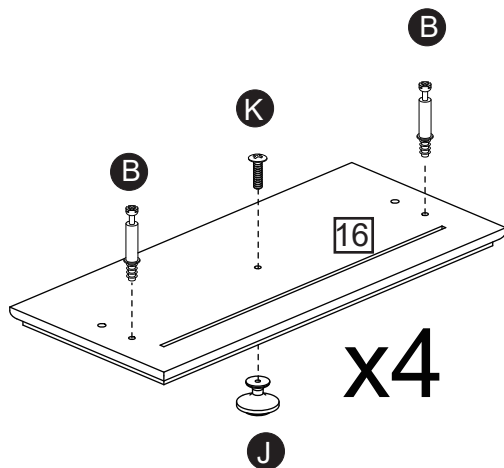
Use Screws (G) to attach panels (18) and (19) to panel (17).



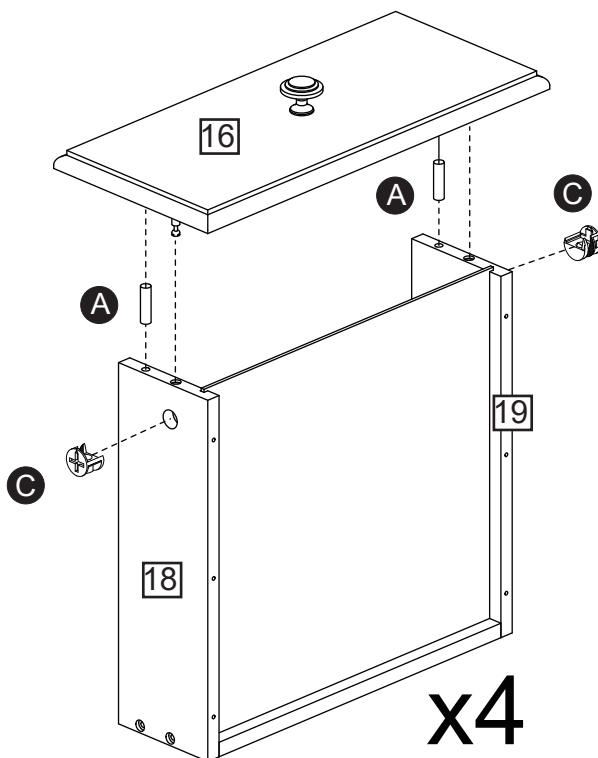
Insert panel (20) into the slots of panels (18) and (19).

Assembly Instructions

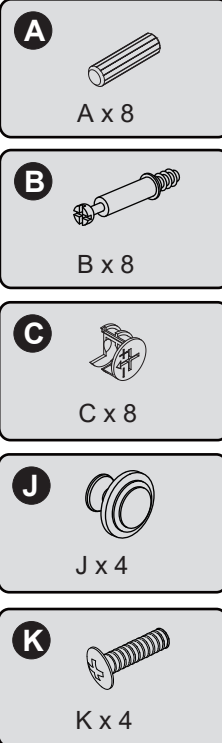
Step 16



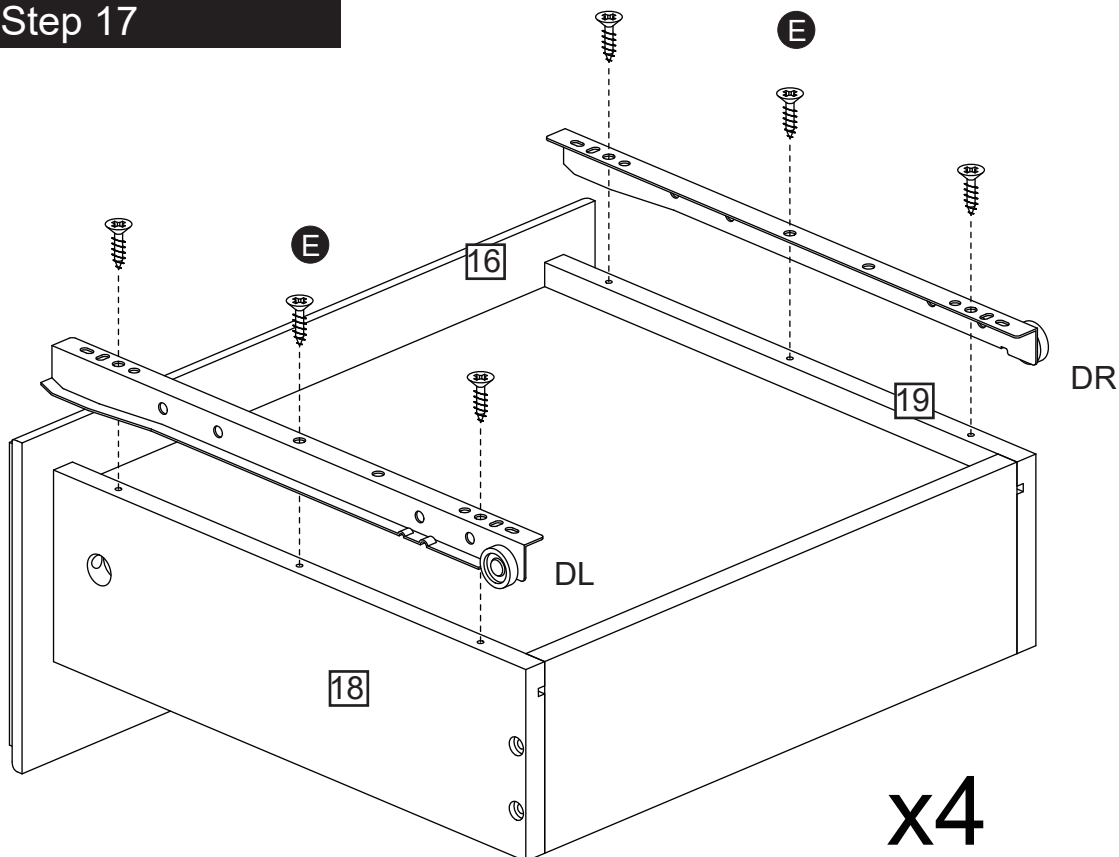
Secure Cam Bolts (B) to panel (16).



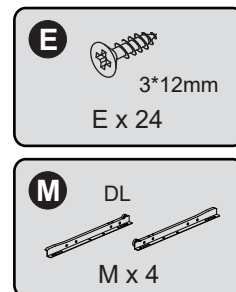
Insert Wooden Dowels (A) into panels (18) and (19), attach panel (16), insert cam nuts (C) and tighten.



Step 17



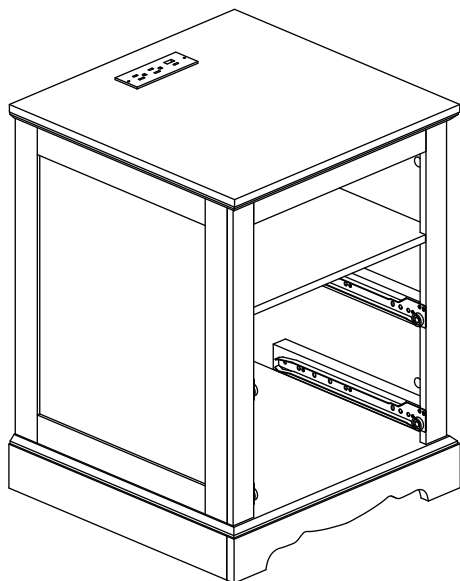
Use Screws (E) to attach the left drawer slide (DL) to panel (18) and the right drawer slide (DR) to panel (19).



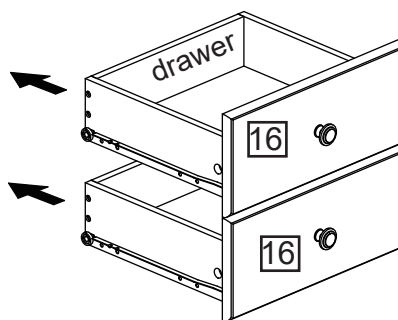
Assembly Instructions

Step 18

Congratulation! You've made to the last step! But don't be too thrilled yet, put on the drawer can be frustrating if you do it wrong. So, take your time and follow the steps below.

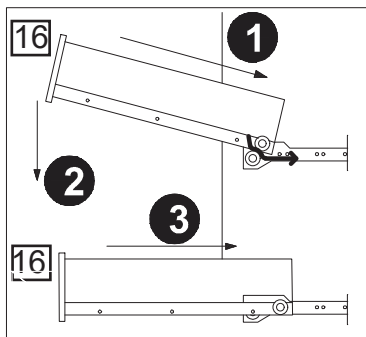


Insert the drawers into the cabinet to complete assembly.

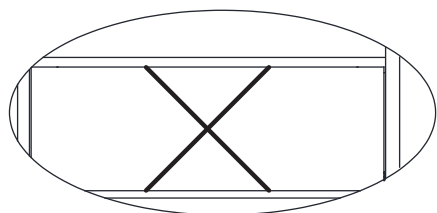


x2

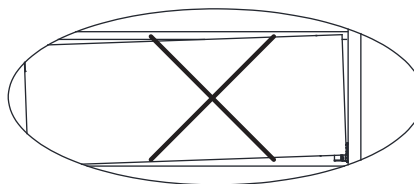
1. Please ensure that you have matched the wheels on BOTH sides of the drawer with the wheels on rails installed BEFORE push in the drawer.



2. If the following occurs, redo the first **two** step.



(both wheel are off the rails)



(one wheel is off the rail)