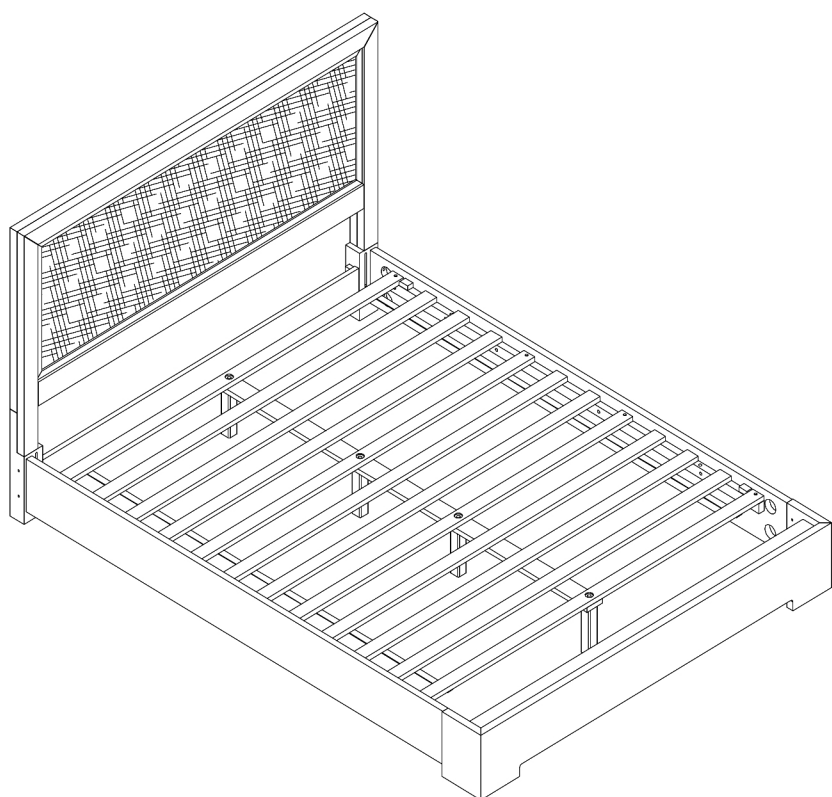
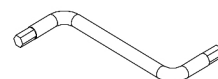


ASSEMBLY INSTRUCTIONS

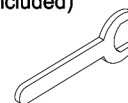


TOOLS REQUIRED



Allen Wrench

(Included)



Wrench

(Included)



Phillips Screwdriver

(Not Included)



**3 - People
Recommended**

ASSEMBLY RATING



EASY —————> DIFFICULT

The Assembly Rating is a 5-point system showing the level of effort needed to assemble a specific product.



CHECK BEFORE STARTING



Are you missing anything?

Double-check all parts, hardware and accessories listed are all accounted for.



Check out our Quick Tips!

We recommend reviewing the pre-assembly handouts. Even experts need a refresher now and then!



Should we send any replacements?

Are there any irregularities or flaws in the parts? We can send replacements!

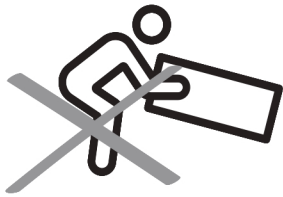


Prep Time!

Please review the assembly instructions and all diagrams prior to assembling.

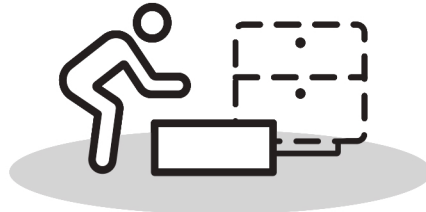
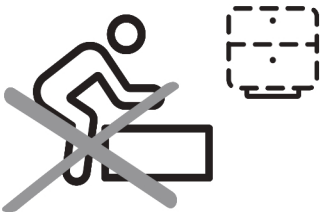
PRE ASSEMBLY INTRODUCTION

We understand building ready-to-assemble furniture can be a challenging experience for some. To help avoid confusion, we have provided some helpful tips that may speed up the process.



Teamwork

ALWAYS have at least two people to help with transporting and assembling the product to avoid potential injury and/or damage.



Suitable Location

Assembling near the area of the intended location is highly recommended.



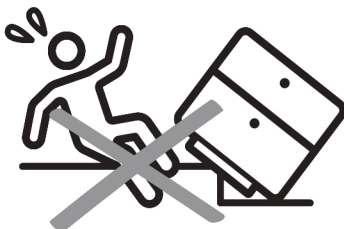
Sufficient Space

Make sure you have enough space to move around during the assembly.



Avoid Scratches

Use cardboard, blankets or a carpeted area while assembling furniture to prevent to prevent scratches and damages.



Flat Surface

Make sure the furniture rests on a flat and level surface with each leg evenly touching the floor.

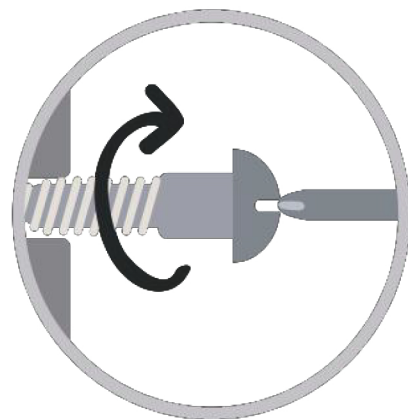
ASSEMBLY AND CARE ADVICE



FAILURE TO FOLLOW THE GUIDELINES BELOW MAY RESULT IN INJURY AND/OR PROPERTY DAMAGE.



Position each part correctly and insert screws or bolts into their respective holes.



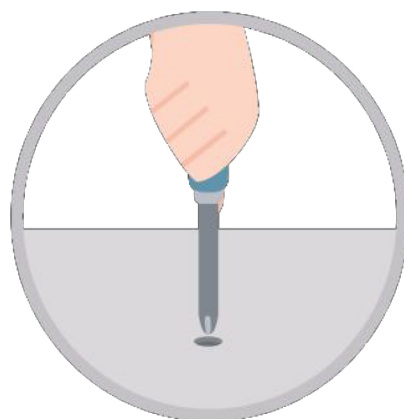
Turn clockwise to tighten and only tighten when step is completed or when instructed to do so.



Use the appropriate hand tools or power tools for assembly. Select steps, such as tightening screws and/or bolts, may require hand tools to avoid causing damage during assembly.



Save the instructions and store any supplied tools for later maintenance.



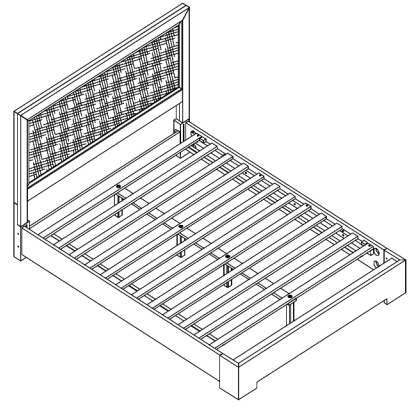
After two weeks, check and tighten any loose hardware and repeat again every six months thereafter.

IT IS THE USER'S RESPONSIBILITY TO MAINTAIN THE FURNITURE. THE HARDWARE MAY LOOSEN OVER TIME AND MAY CAUSE THE FURNITURE TO BE WOBBLY AND UNABLE TO SUPPORT ITS INTENDED WEIGHT CAPACITY. THIS MAY LEAD TO COLLAPSE AND MAY CAUSE SERIOUS INJURY.

BED

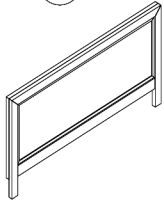


- Please keep instructions for future reference.
- Check the quantity and irregularity of parts and hardware before you start.



PARTS

#1 1pc



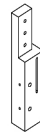
Headboard

#2R 1pc



Right H/Board Leg

#2L 1pc



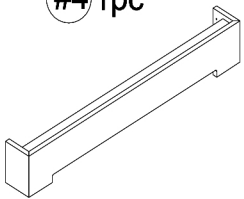
Left H/Board Leg

#3 1pc



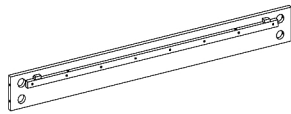
Leg Support

#4 1pc



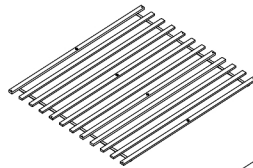
Footboard

#5 2pcs



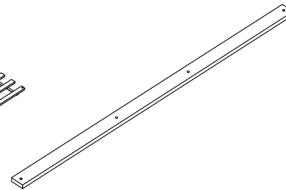
Side Rail

#6 12pcs



Roll Slat

#7 1pc



Center Slat

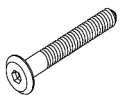
#8 4pcs



Slat Support Leg
40x40x127 mm

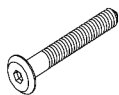
HARDWARE

#A 2pcs



Bolt 1/4" x 1.4"

#B 6pcs



Bolt 1/4" x 1.8"

#C 8pcs



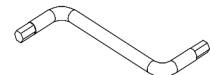
Lock Washer

#D 8pcs



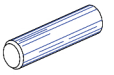
Flat Washer

#E 1pc



Allen Wrench

#F 4pcs



Dowel Ø 7.8

#G 8pcs



Threaded Stud

#H 8pcs



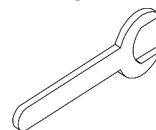
Hex Nut

#I 8pcs



Beveled Washer

#J 1pc



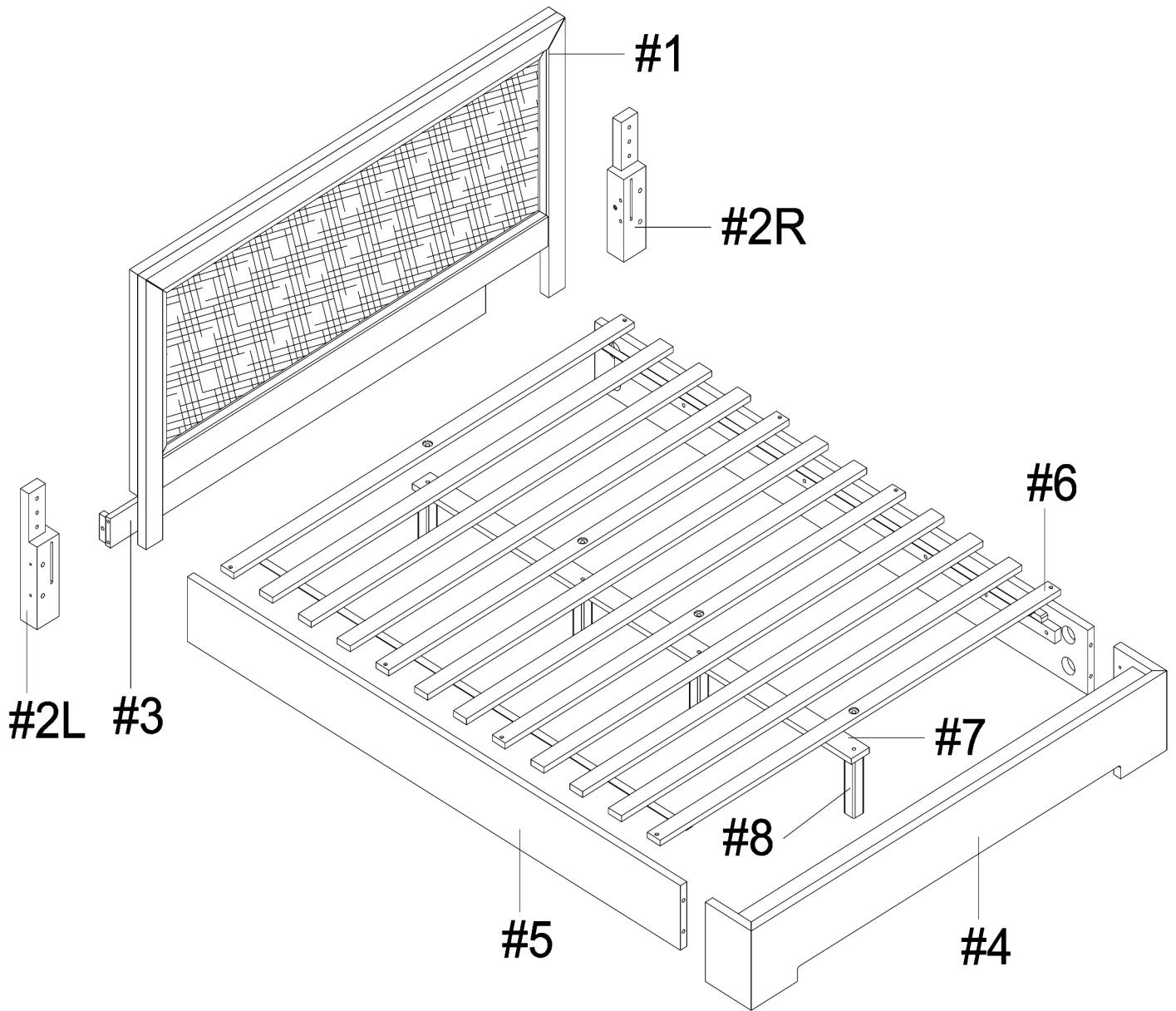
Wrench

#K 8pcs

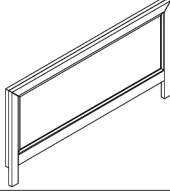
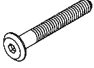
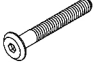
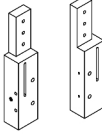


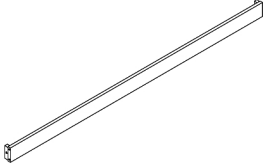
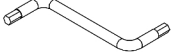
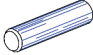
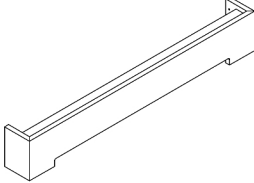
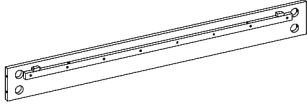


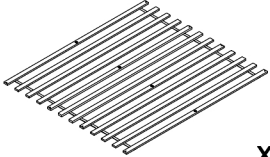


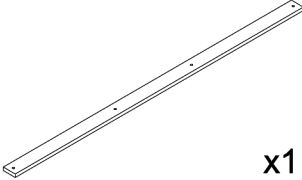




Screw 1-1/4"

Exploded View



packed in 3 caces

Carton	Disignation		Part	Hardware
	Headboard Panel	#1		 #A 2pcs  #B 6pcs
	HB Leg (L&R)	#2		 #C 8pcs  #D 8pcs
	HB Support	#3		 #E 1pc  #F 4pcs
	Footboard	#4		
	Side Rail	#5	 <p style="text-align: right;">x2</p>	 #G 8pcs  #H 8pcs
	Bed Slat (Roll Slat)	#6	 <p style="text-align: right;">x1</p>	 #I 8pcs  #J 1pc
	Center Slat	#7	 <p style="text-align: right;">x1</p>	 #K 8pcs
	Support Leg	#8	 <p style="text-align: right;">x4</p>	

ASSEMBLY INSTRUCTIONS

1

Part #2 x 2pcs

Part #3 x 1pc

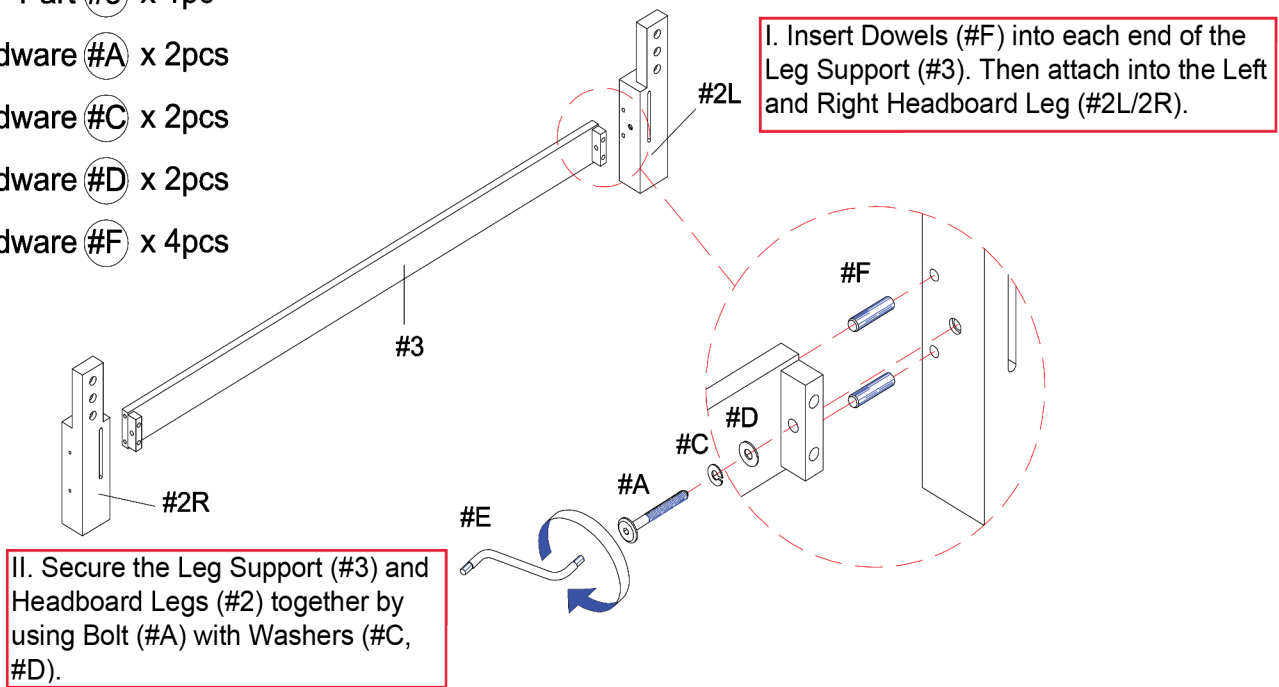
Hardware #A x 2pcs

Hardware #C x 2pcs

Hardware #D x 2pcs

Hardware #F x 4pcs

Note : Left and right is determined by facing the front of the headboard in its upright position.



2

Part #2 x 2pcs

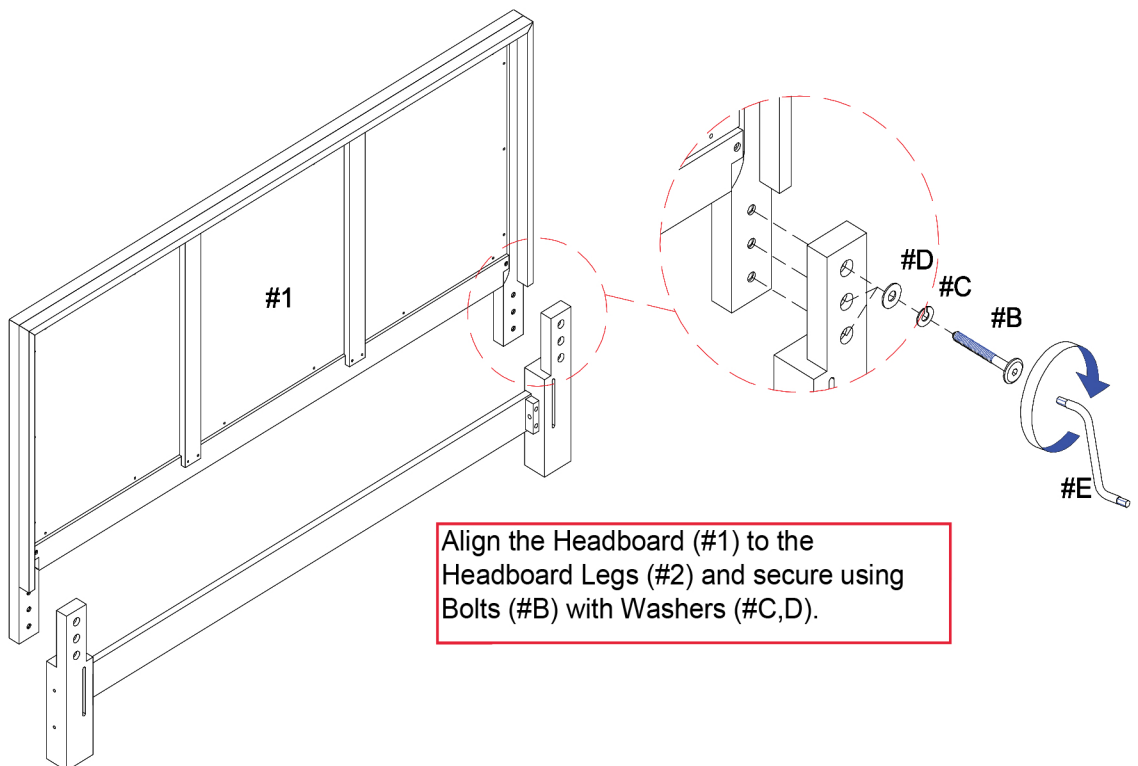
Part #3 x 1pc

Hardware #B x 6pcs

Hardware #C x 6pcs

Hardware #D x 6pcs

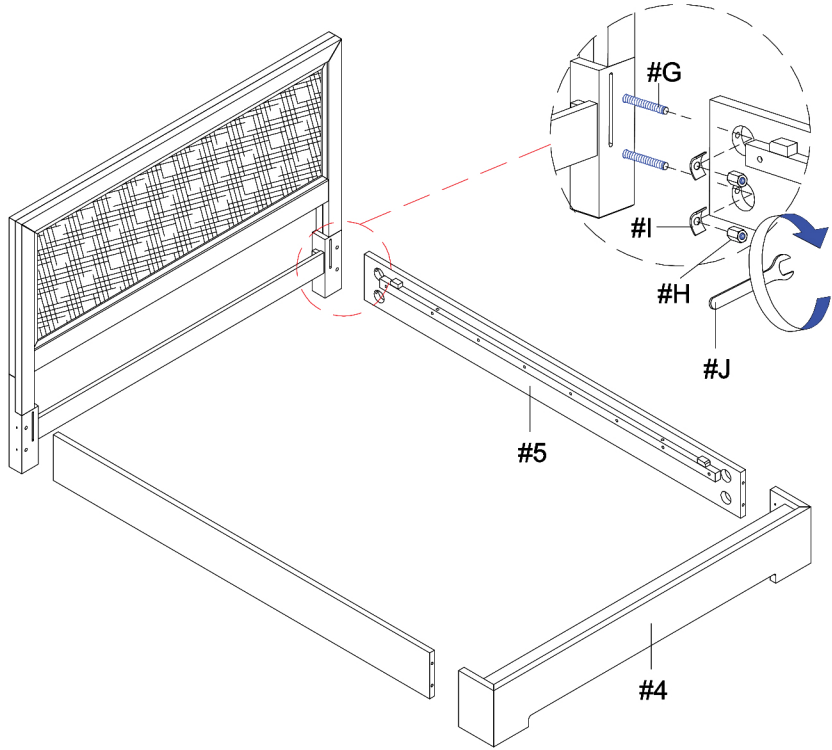
Hardware #E x 1pc



ASSEMBLY INSTRUCTIONS

3

Attach the Threaded studs (#G) into the Headboard Legs (#2). Then place the ends of the Side Rails (#5) on the studs. Apply a Beveled washer (#I) then a Hex nut (#H) onto each stud from within the rails. Secure using the wrench.



Part #4 x 1pc

Part #5 x 2pcs

Hardware #G x 8pcs

Hardware #H x 8pcs

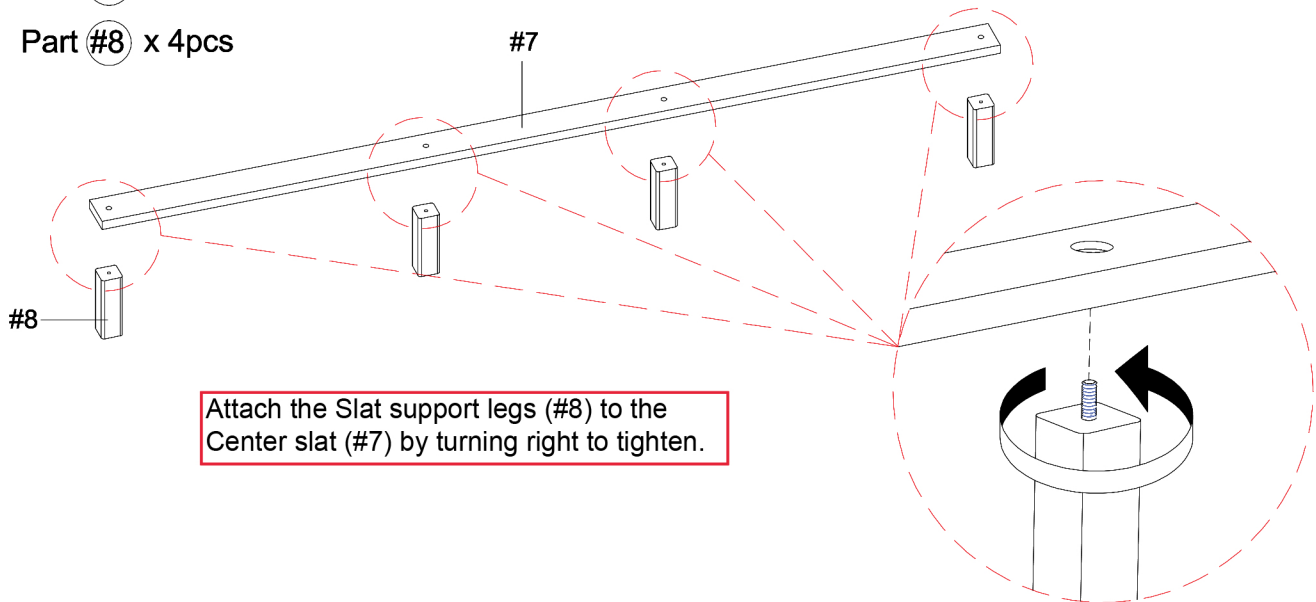
Hardware #I x 8pcs

Hardware #J x 1pc

4

Part #7 x 1pc

Part #8 x 4pcs



Attach the Slat support legs (#8) to the Center slat (#7) by turning right to tighten.

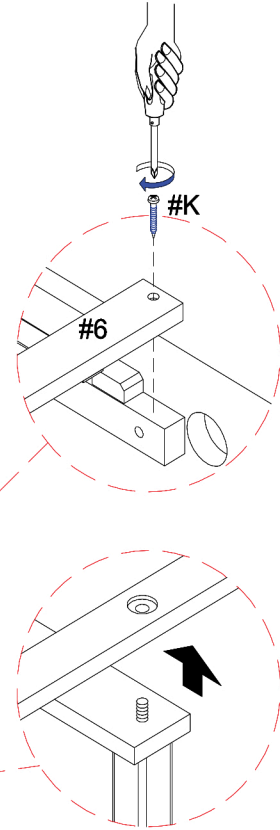
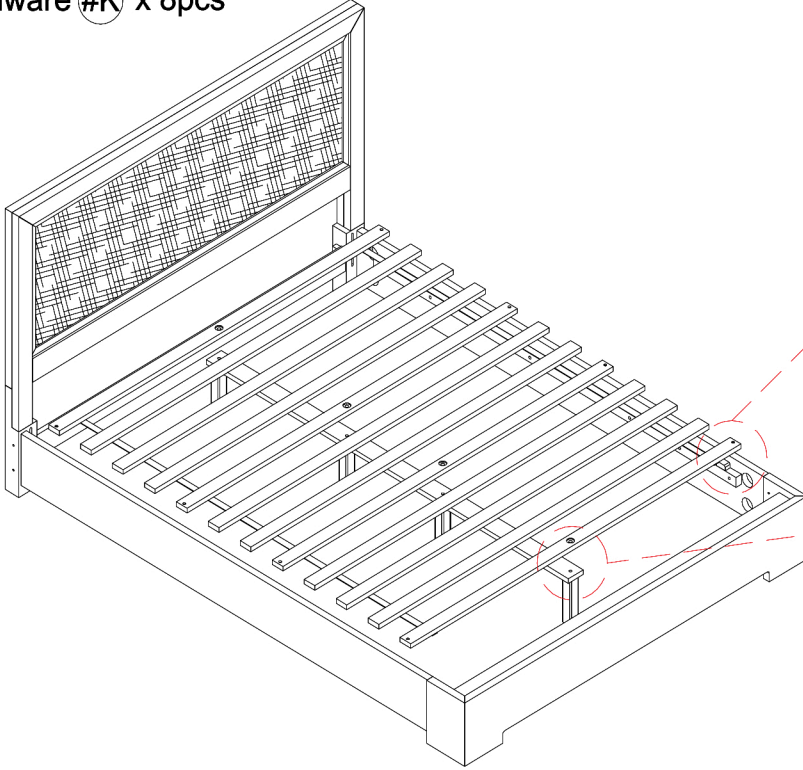
ASSEMBLY INSTRUCTIONS

5

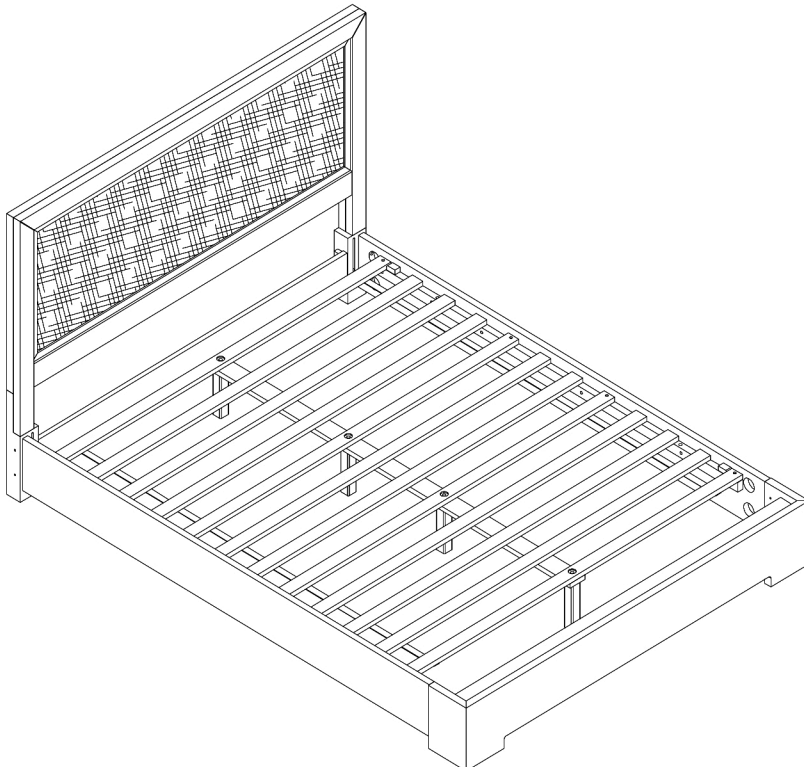
Part #6 x 12pcs

Hardware #K x 8pcs

Place the slats (#6) onto the Side rails (#5) and secure by using Screw (#K).



6



ASSEMBLY COMPLETED



Please ensure the furniture rests on an even and flat surface. If the product wobbles or feels loose, double-check all bolts and/or screws are properly tightened and secured.



Keep this handy!

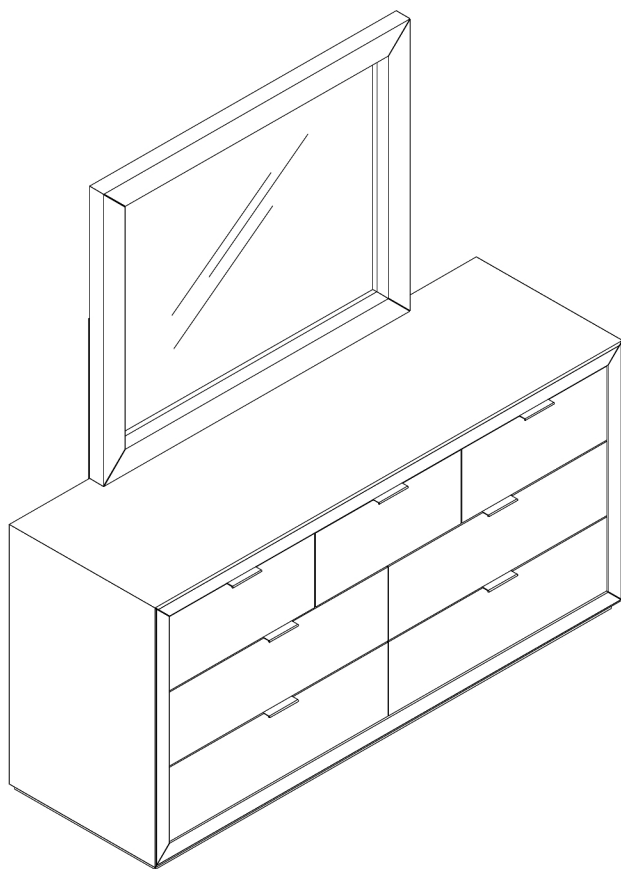
Please retain this instruction manual and any order-related information for future reference.



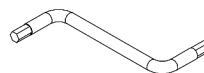
Lift, don't drag!

To avoid damage to product please always LIFT the product when transporting or adjusting the placement.

ASSEMBLY INSTRUCTIONS



TOOLS REQUIRED



Allen Wrench

(Included)



**2 - People
Recommended**

ASSEMBLY RATING



EASY —————> DIFFICULT

The Assembly Rating is a 5-point system showing the level of effort needed to assemble a specific product.



CHECK BEFORE STARTING



Are you missing anything?

Double-check all parts, hardware and accessories listed are all accounted for.



Check out our Quick Tips!

We recommend reviewing the pre-assembly handouts. Even experts need a refresher now and then!



Should we send any replacements?

Are there any irregularities or flaws in the parts? We can send replacements!

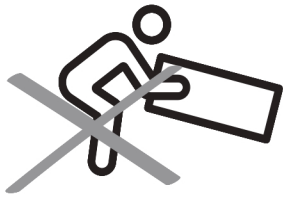


Prep Time!

Please review the assembly instructions and all diagrams prior to assembling.

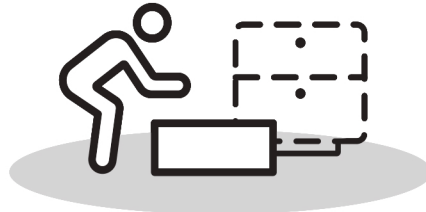
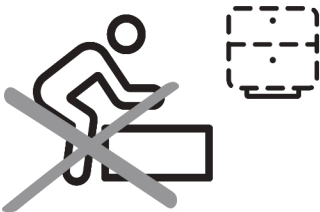
PRE ASSEMBLY INTRODUCTION

We understand building ready-to-assemble furniture can be a challenging experience for some. To help avoid confusion, we have provided some helpful tips that may speed up the process.



Teamwork

ALWAYS have at least two people to help with transporting and assembling the product to avoid potential injury and/or damage.



Suitable Location

Assembling near the area of the intended location is highly recommended.



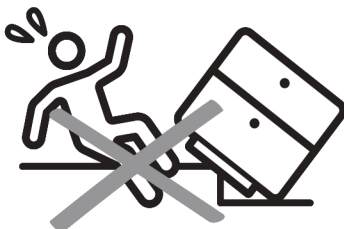
Sufficient Space

Make sure you have enough space to move around during the assembly.



Avoid Scratches

Use cardboard, blankets or a carpeted area while assembling furniture to prevent to prevent scratches and damages.



Flat Surface

Make sure the furniture rests on a flat and level surface with each leg evenly touching the floor.

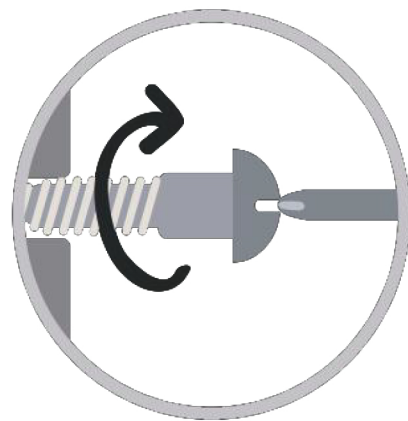
ASSEMBLY AND CARE ADVICE



FAILURE TO FOLLOW THE GUIDELINES BELOW MAY RESULT IN INJURY AND/OR PROPERTY DAMAGE.



Position each part correctly and insert screws or bolts into their respective holes.



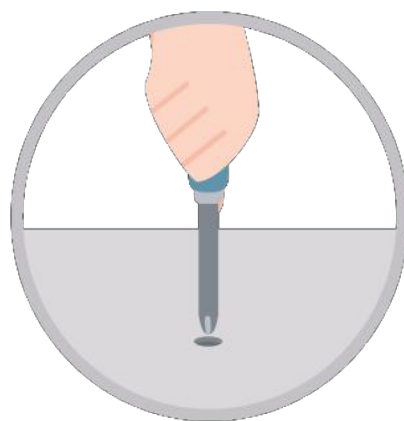
Turn clockwise to tighten and only tighten when step is completed or when instructed to do so.



Use the appropriate hand tools or power tools for assembly. Select steps, such as tightening screws and/or bolts, may require hand tools to avoid causing damage during assembly.



Save the instructions and store any supplied tools for later maintenance.



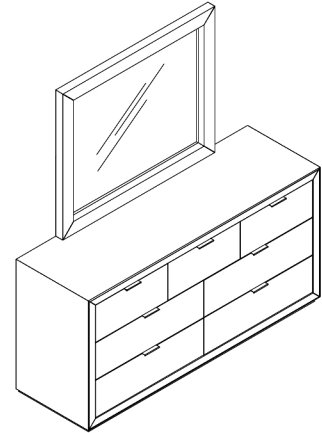
After two weeks, check and tighten any loose hardware and repeat again every six months thereafter.

IT IS THE USER'S RESPONSIBILITY TO MAINTAIN THE FURNITURE. THE HARDWARE MAY LOOSEN OVER TIME AND MAY CAUSE THE FURNITURE TO BE WOBBLY AND UNABLE TO SUPPORT ITS INTENDED WEIGHT CAPACITY. THIS MAY LEAD TO COLLAPSE AND MAY CAUSE SERIOUS INJURY.

DRESSER & MIRROR

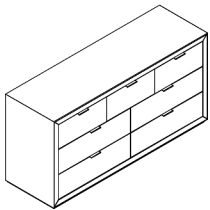


- Please keep instructions for future reference.
- Check the quantity and irregularity of parts and hardware before you start.



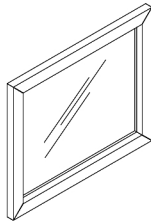
PARTS

#1 1pc



Dresser

#2 1pc



Mirror

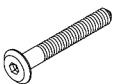
#3 2pcs



Support Rail

HARDWARE

#A 8pcs



Bolt 1/4" x 1.8"

#B 8pcs



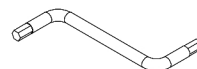
Lock Washer

#C 8pcs



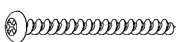
Flat Washer

#D 1pc



Allen Wrench

#E 2pcs



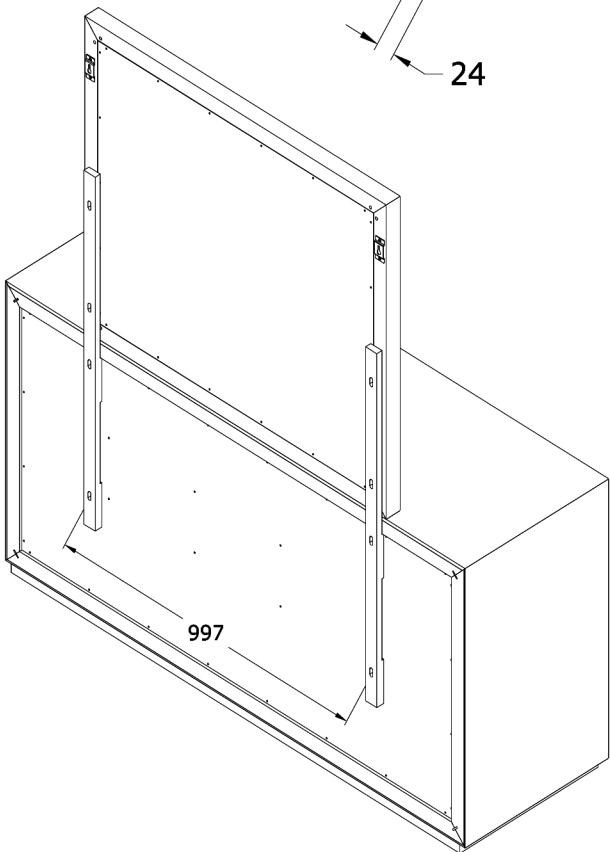
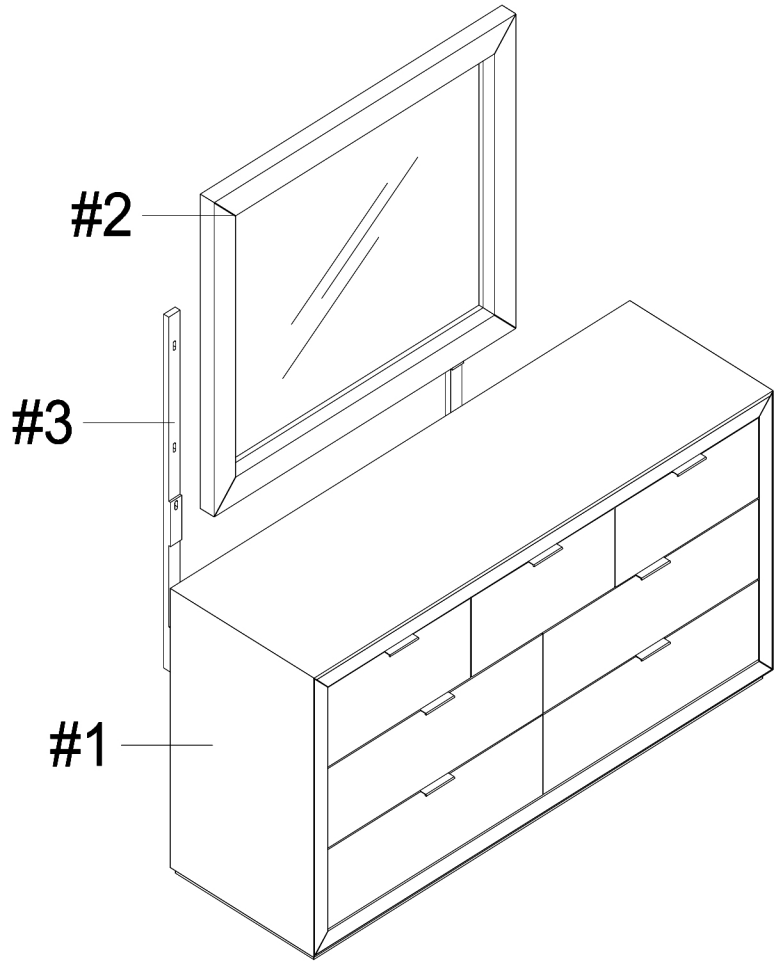
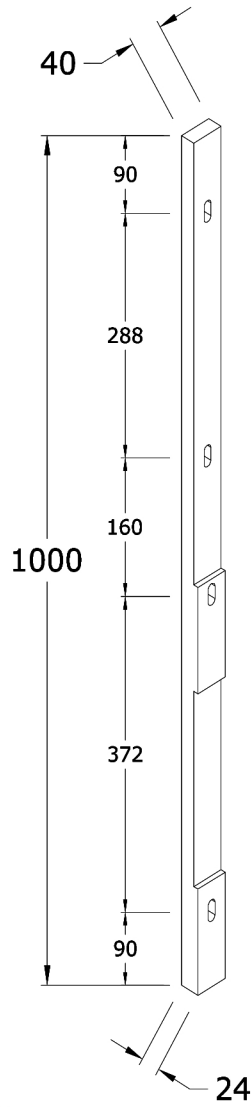
Screw Ø8 x 2"

#F 2pcs

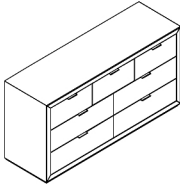
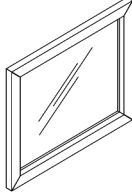
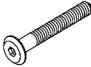



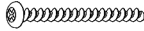




Fischer

Exploded View



packed in 2 cases

Carton	Disignation		Part	Hardware
	Dresser	#1		
	Mirror	#2		 #A 8pcs  #B 8pcs  #C 8pcs  #D 1pc  #E 2pcs  #F 2pcs
	Mirror Support	#3		

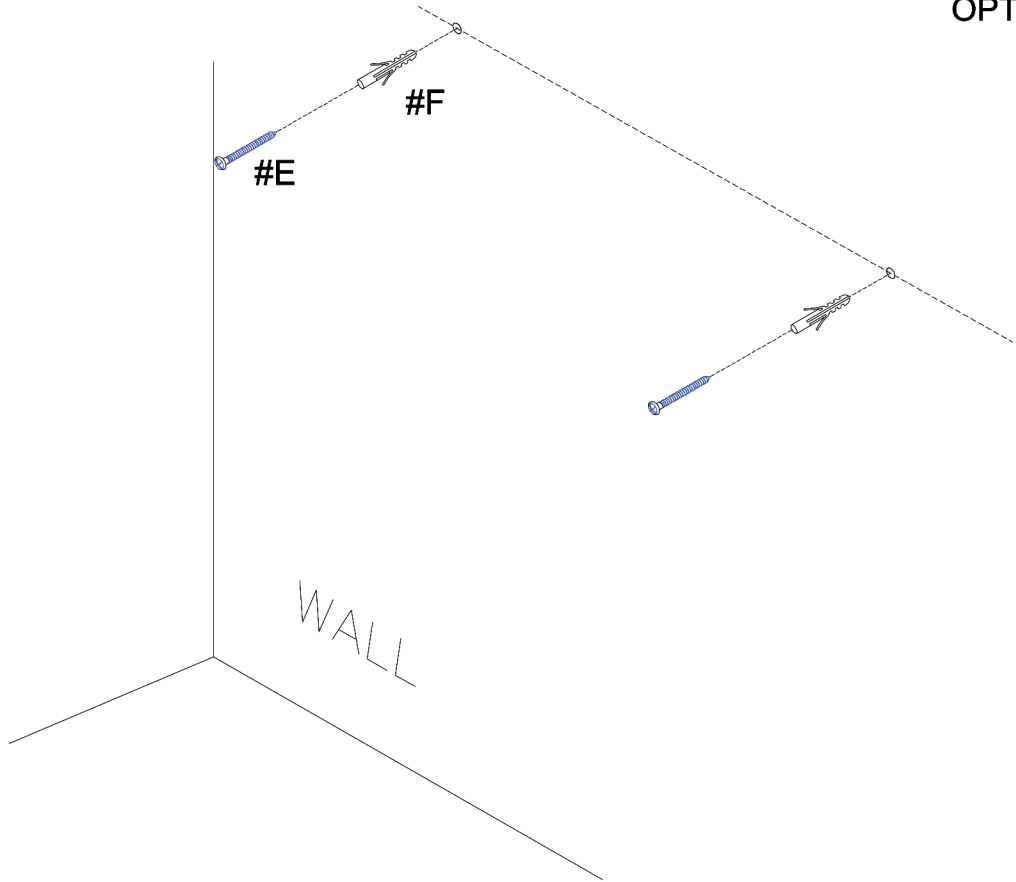
ASSEMBLY INSTRUCTIONS

1

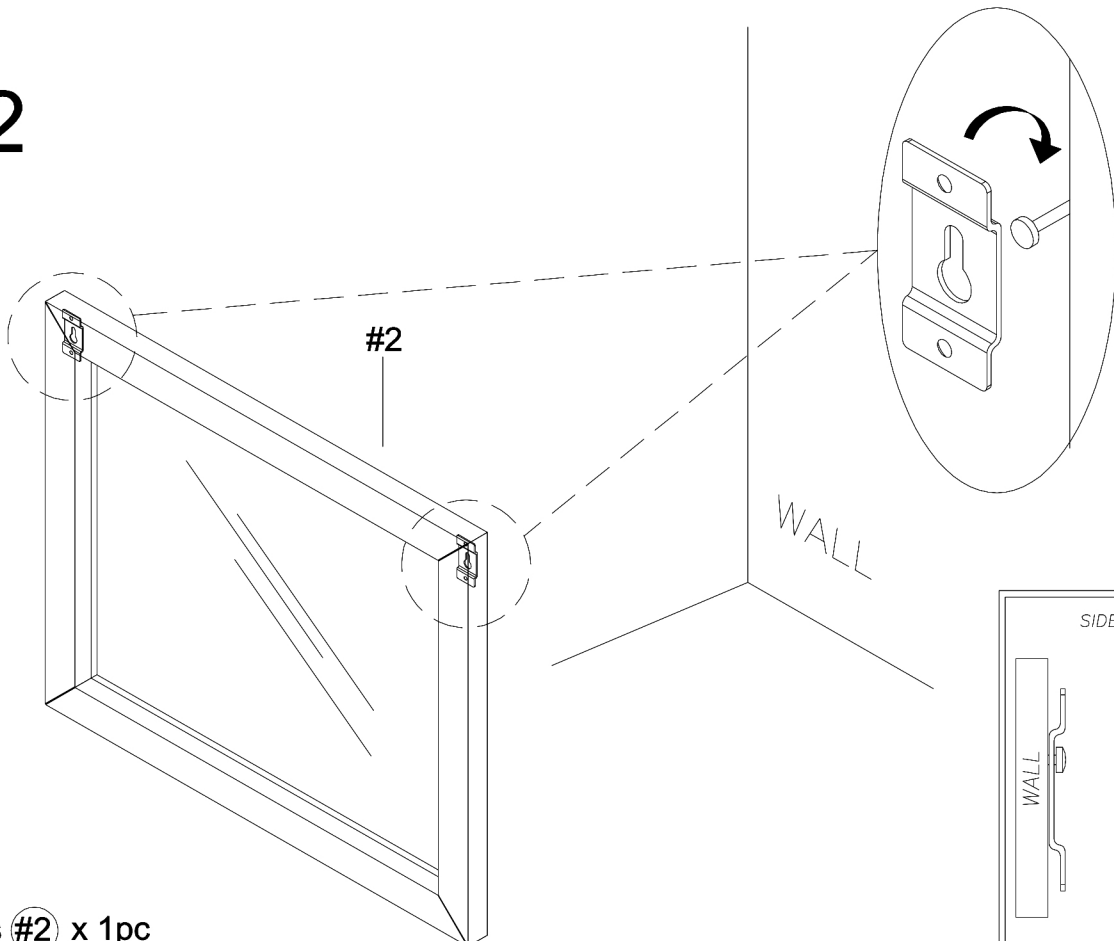
OPTION-1

Hardware #E x 2pcs

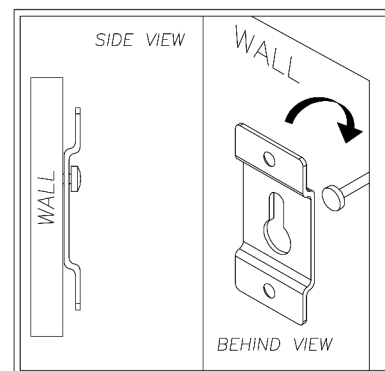
Hardware #F x 2pcs



2



Parts #2 x 1pc



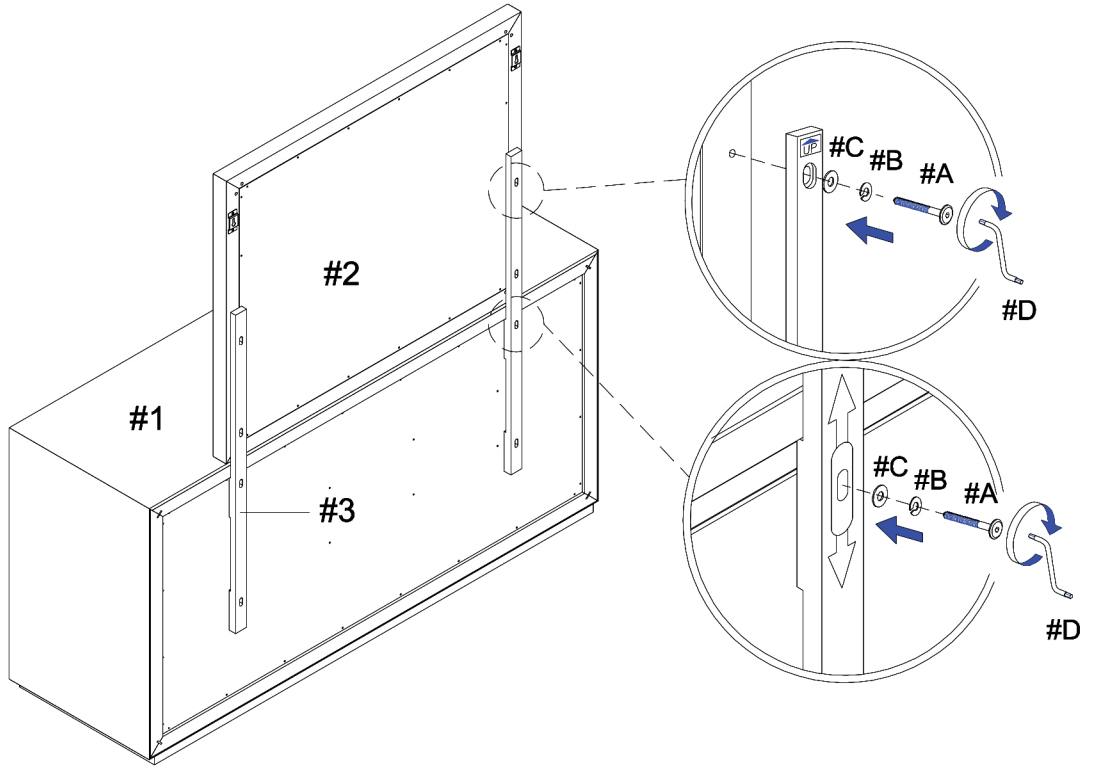
ASSEMBLY INSTRUCTIONS

Align the Support rails (#3) to the Mirror (#2) and dresser (#1). Then secure by using Bolts (#A) with Washers (#B, #C).

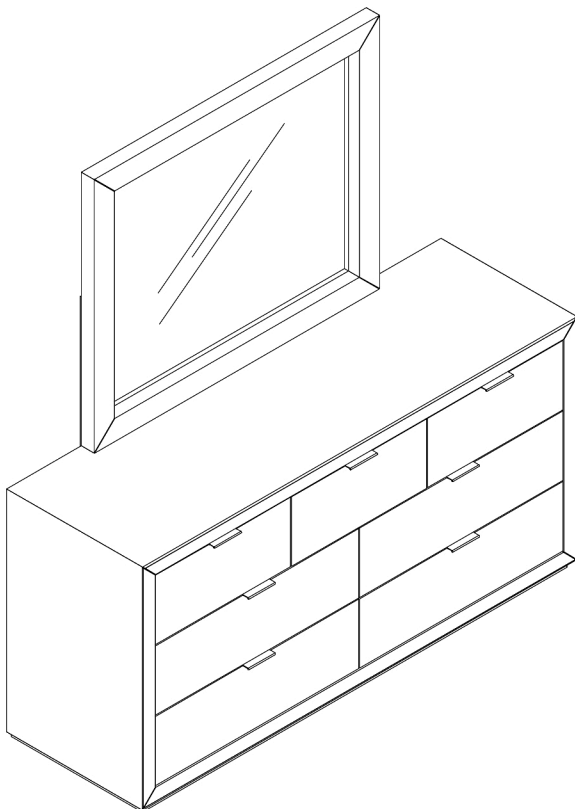
OPTION-2

1

- Part #1 x 1pc
- Part #2 x 1pc
- Part #3 x 2pcs
- Hardware #A x 8pcs
- Hardware #B x 8pcs
- Hardware #C x 8pcs



2



ASSEMBLY COMPLETED



Please ensure the furniture rests on an even and flat surface. If the product wobbles or feels loose, double-check all bolts and/or screws are properly tightened and secured.



Keep this handy!

Please retain this instruction manual and any order-related information for future reference.



Lift, don't drag!

To avoid damage to product please always LIFT the product when transporting or adjusting the placement.