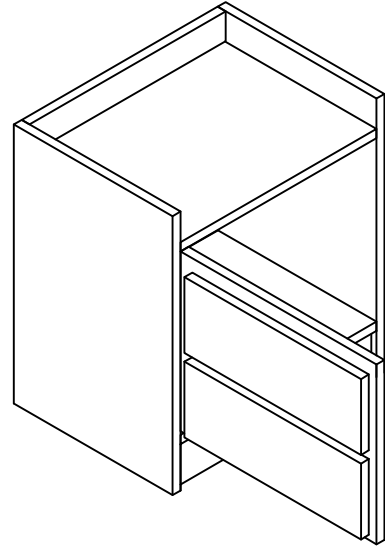





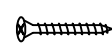
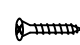





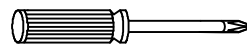

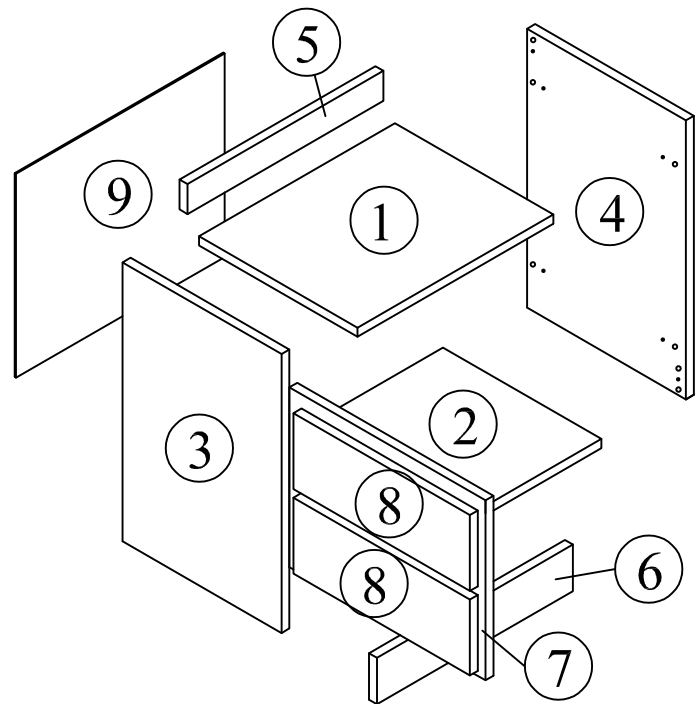


Assembly Instructions

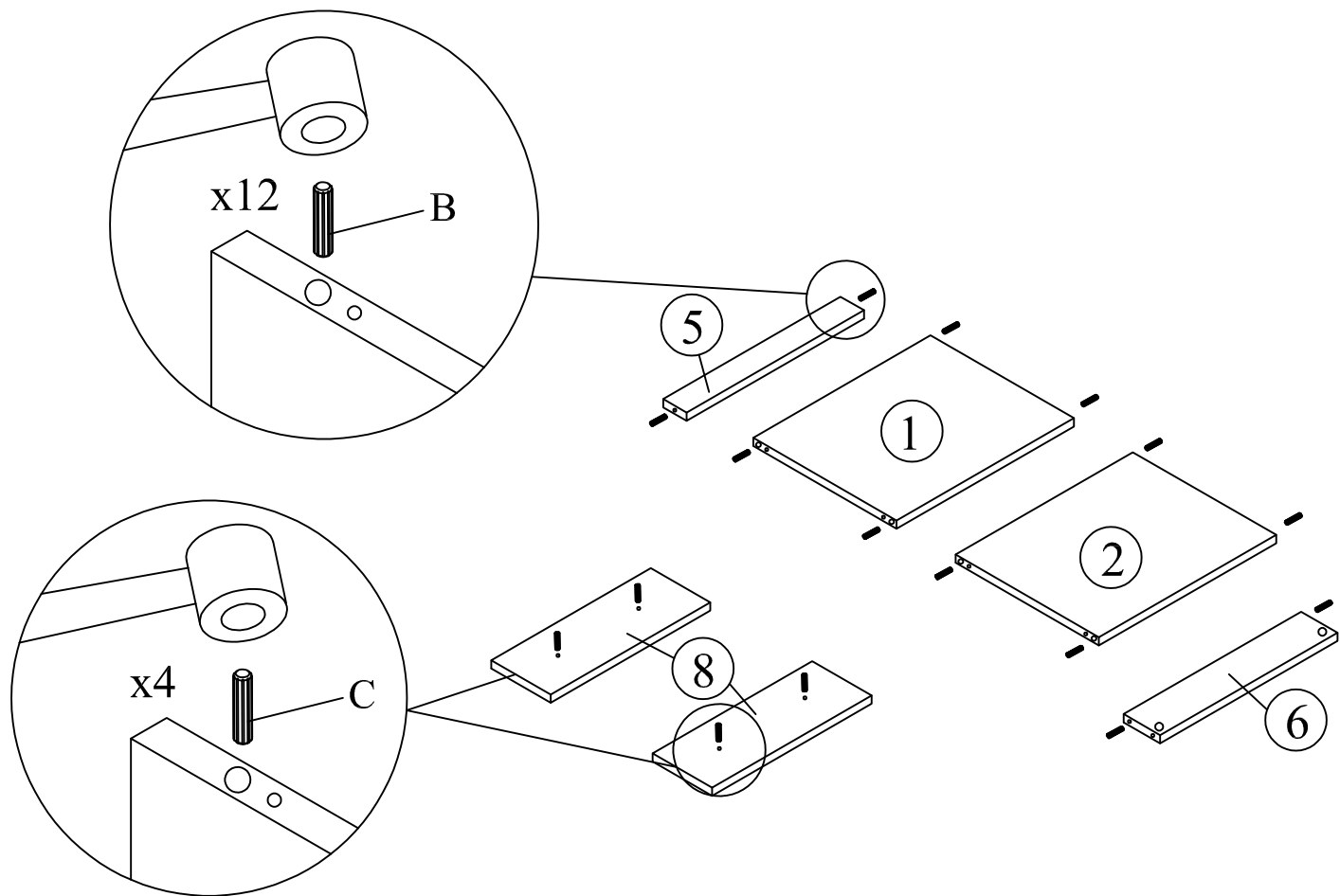
Part List		QTY
1	Top Panel	1
2	Bottom Panel	1
3	Left Side Panel	1
4	Right Side Panel	1
5	Top Panel Support	1
6	Bottom Panel Support	1
7	Door Panel	1
8	Door Support Panel	2
9	Back Panel	1



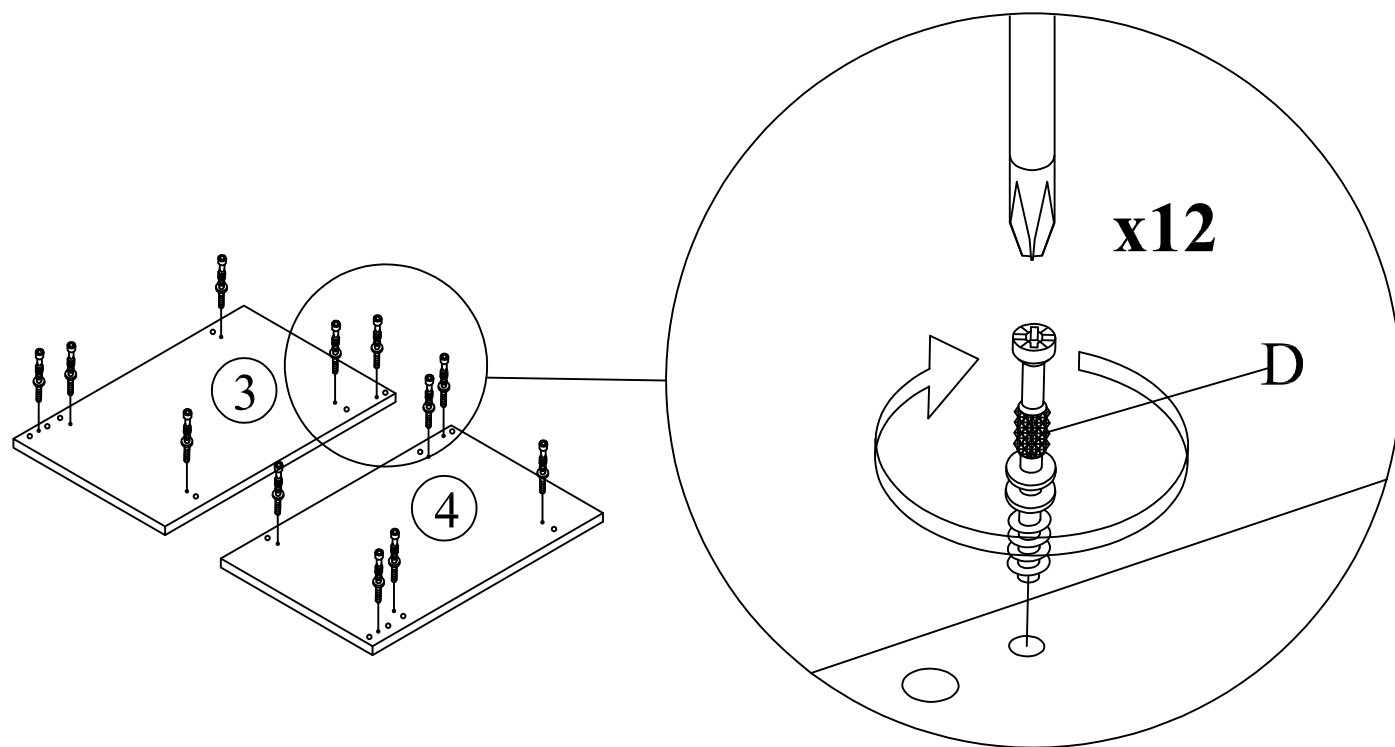
Hardware		QTY
A	Allen Key M4 	1
B	Wood Dowel 	12
C	Wood Dowel 8 x 20 	4
D	Mini Fix Bolt 	12
E	Mini Fix Housing 	12
F	Mini Fix Cap 	12
G	CSK Screw M4x30mm 	8
H	CSK Screw M3.5x16mm 	4
I	Door Spring 	1
J	Magnet Spring 	1
K	Door Support 	2
L	White Nail Leg 	4
M	Power Nail 5/8 	16
N	Philips Screwdriver (Not Provided) 	1
O	Hammer 	1



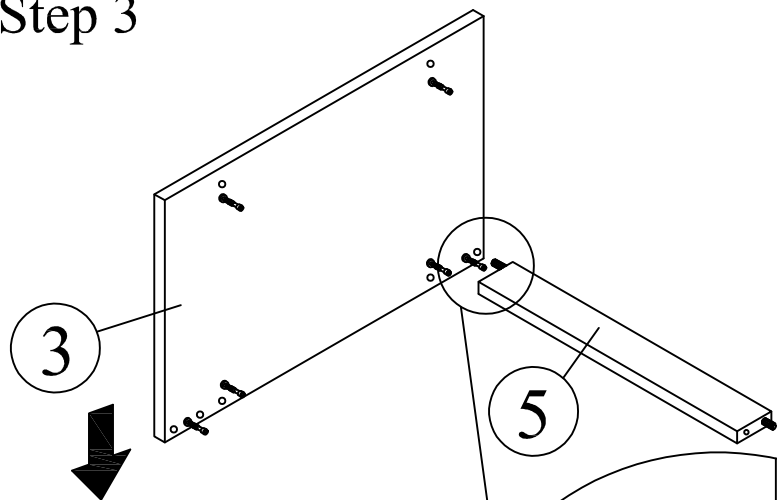
Step 1



Step 2

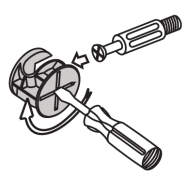


Step 3

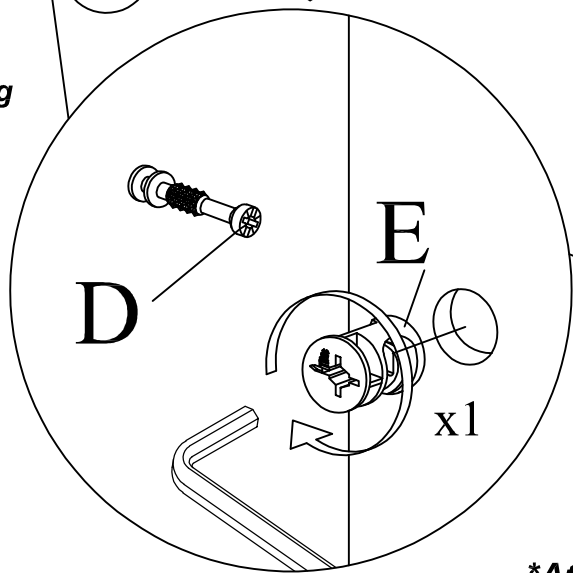


***Without edging/veneer facing downward**

This is how a mini fix works...

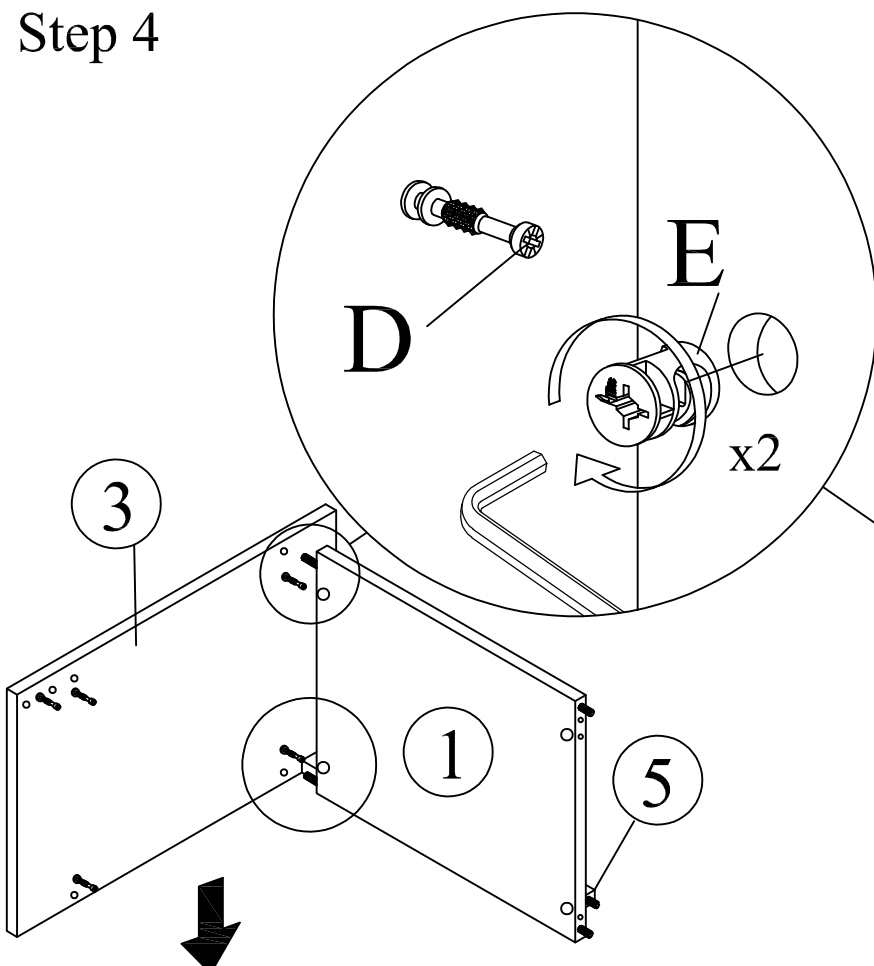


The head of the mini fix housing goes into the open mouth of the mini fix bolt. You then turn the mini fix housing so it tightens over the mini fix bolt.



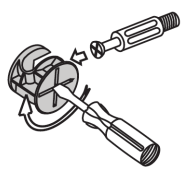
***Attach Minifix Cap as shown.**

Step 4

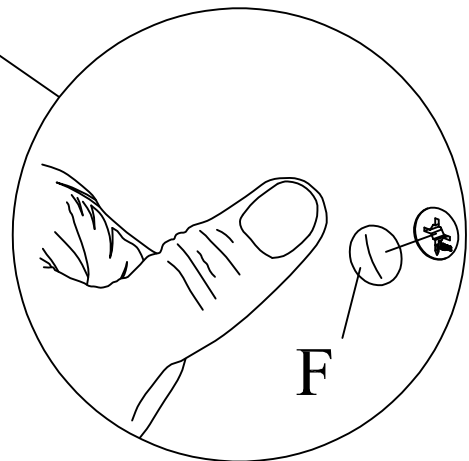


***Without edging/veneer facing downward**

This is how a mini fix works...

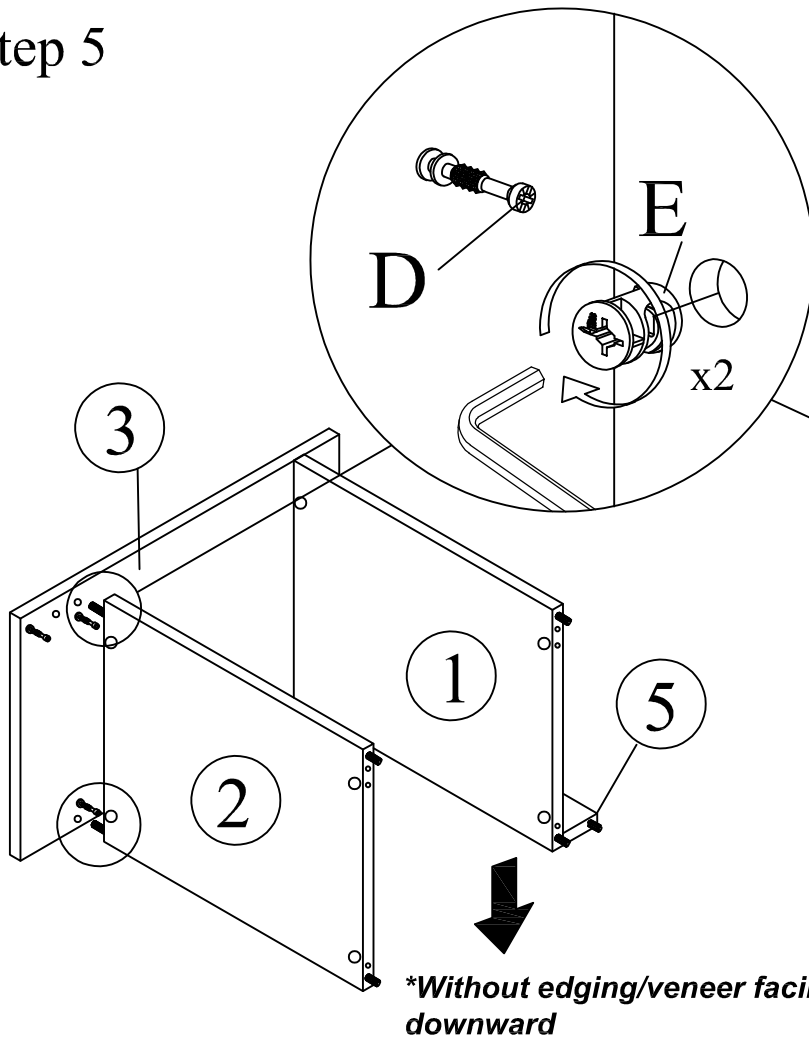


The head of the mini fix housing goes into the open mouth of the mini fix bolt. You then turn the mini fix housing so it tightens over the mini fix bolt.

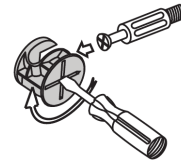


***Attach Minifix Cap as shown.**

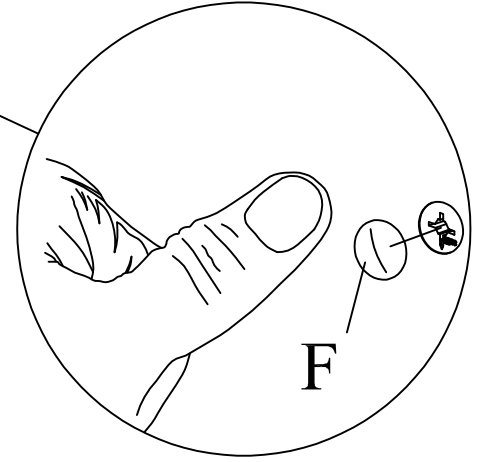
Step 5



This is how a mini fix works...

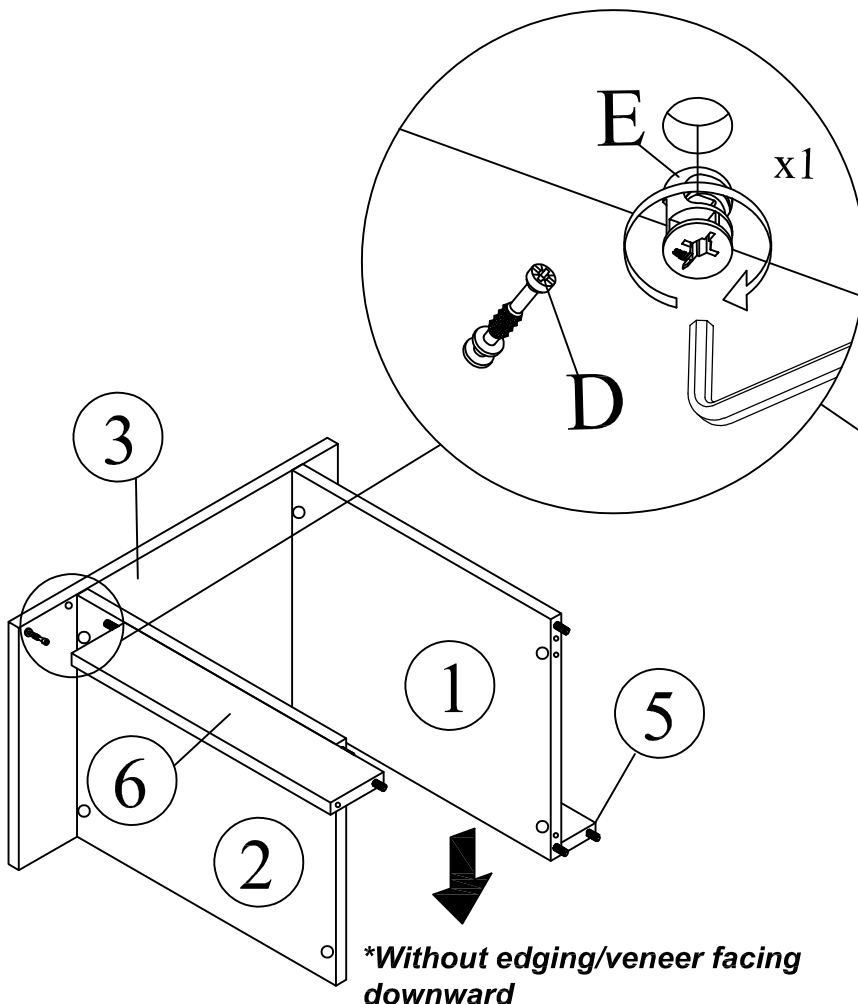


The head of the mini fix housing goes into the open mouth of the mini fix bolt. You then turn the mini fix housing so it tightens over the mini fix bolt.

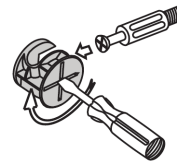


***Attach Minifix Cap as shown.**

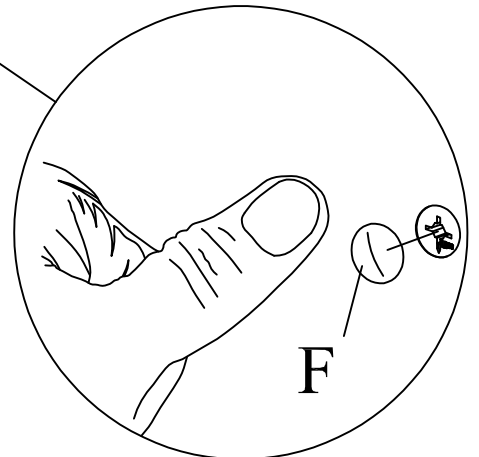
Step 6



This is how a mini fix works...

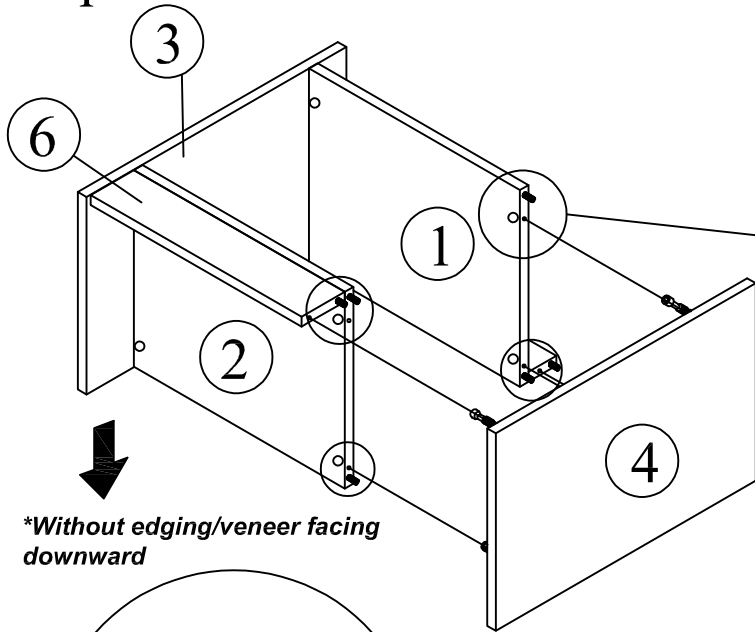


The head of the mini fix housing goes into the open mouth of the mini fix bolt. You then turn the mini fix housing so it tightens over the mini fix bolt.

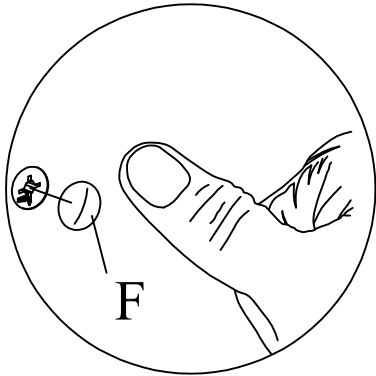


***Attach Minifix Cap as shown.**

Step 7

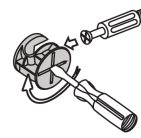


**Without edging/veneer facing downward*

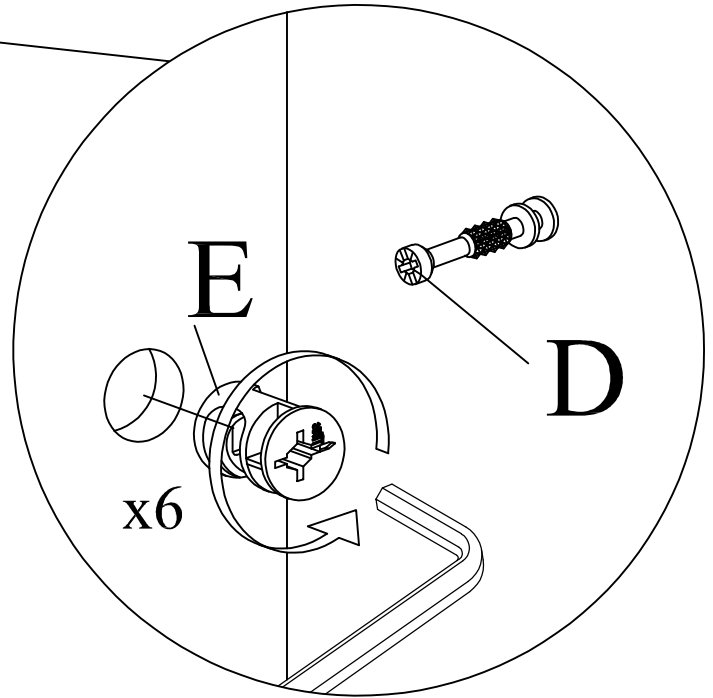


**Attach Minifix Cap as shown.*

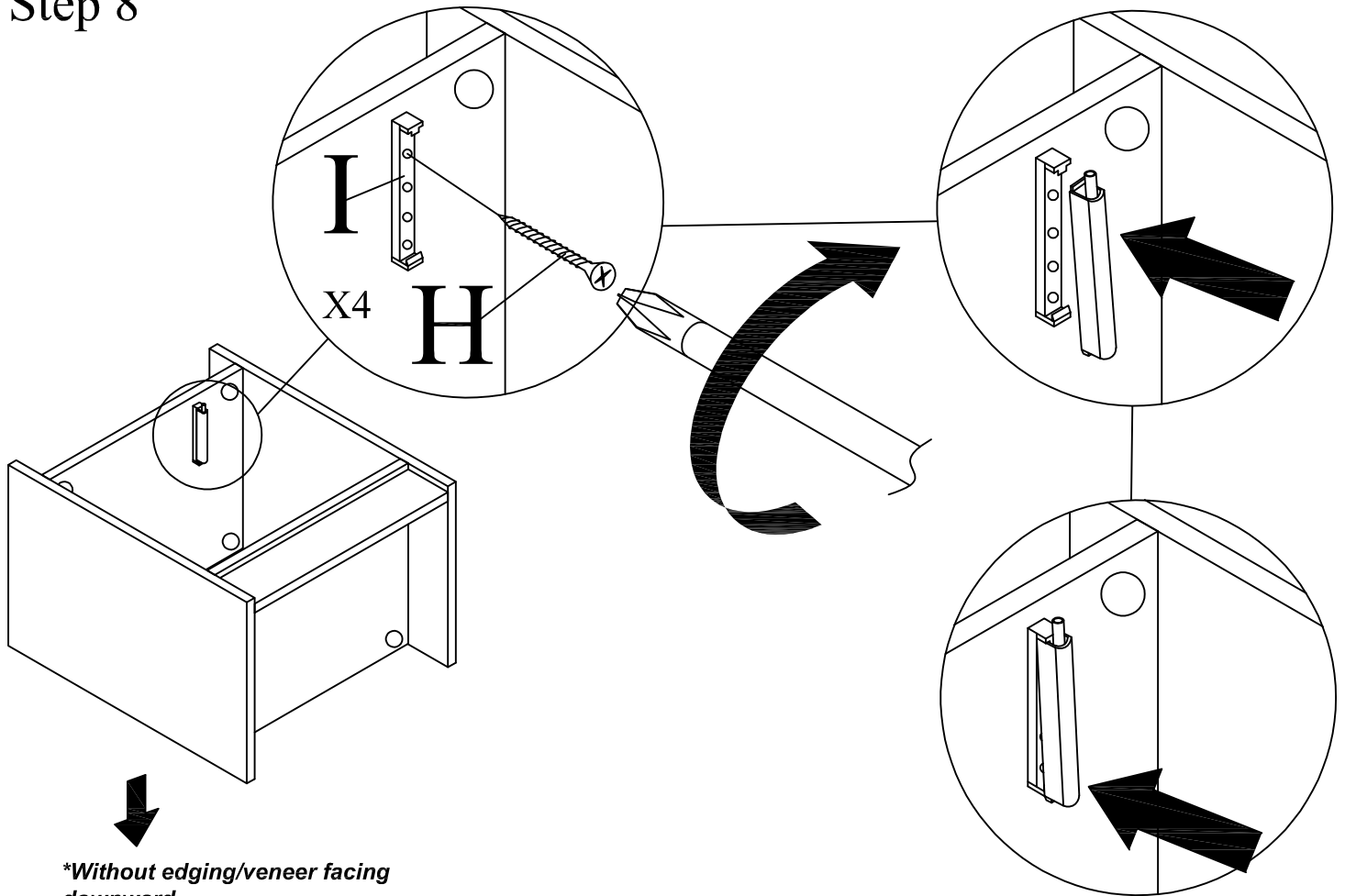
This is how a mini fix works...



The head of the mini fix housing goes into the open mouth of the mini fix bolt. You then turn the mini fix housing so it tightens over the mini fix bolt.

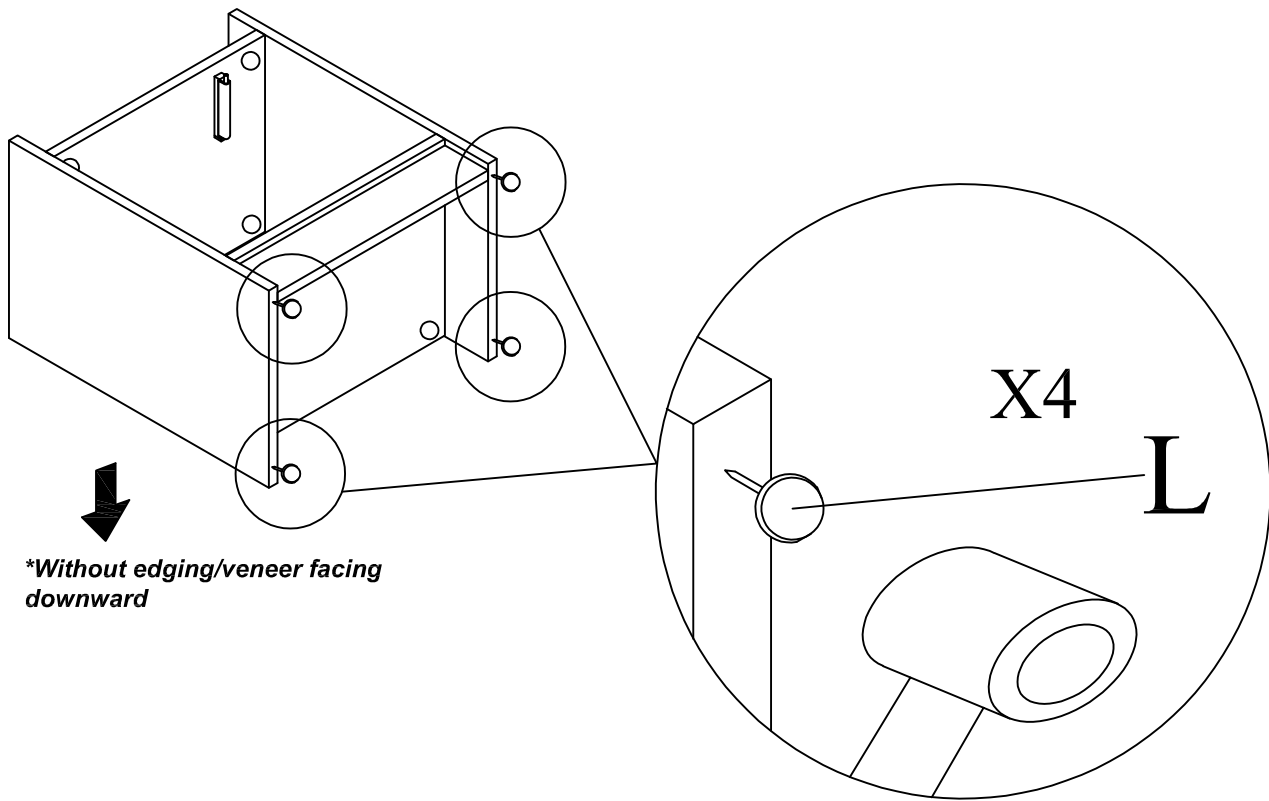


Step 8

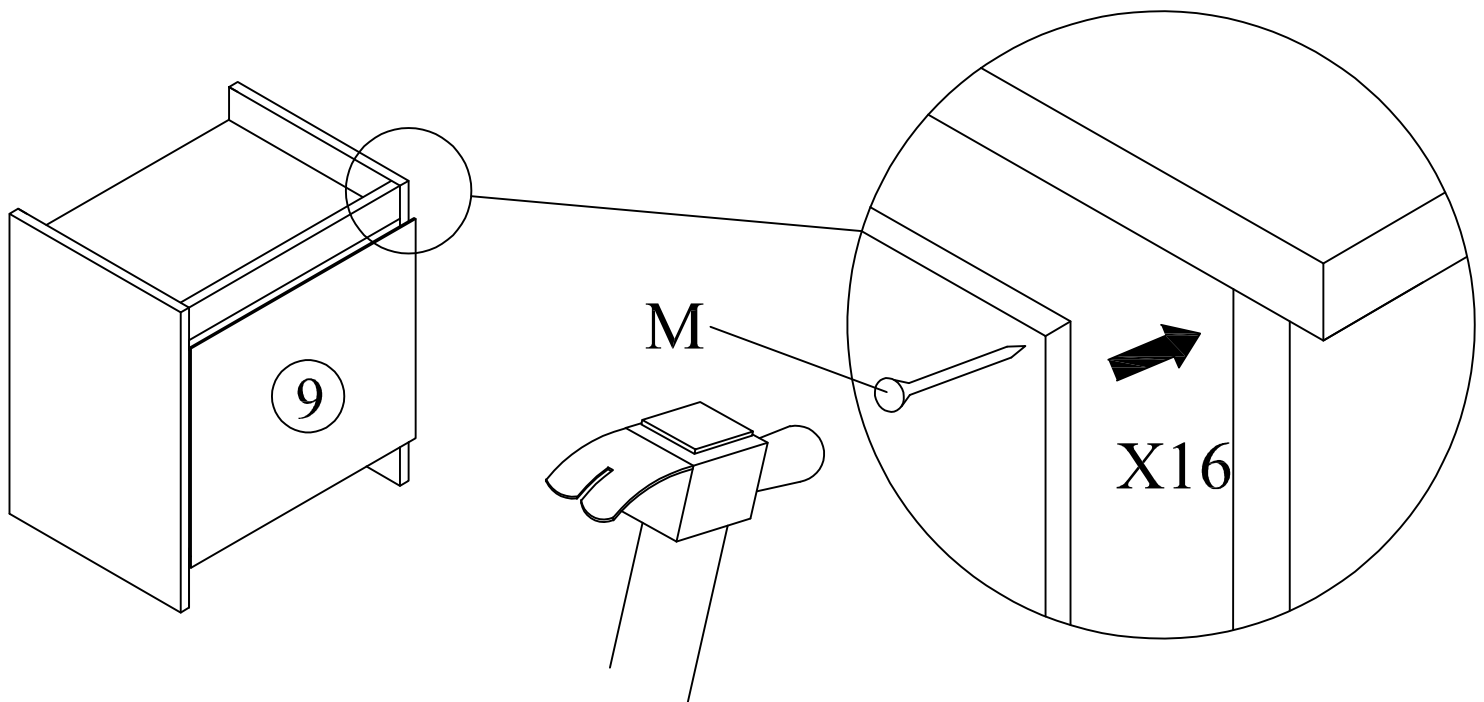


**Without edging/veneer facing downward*

Step 9

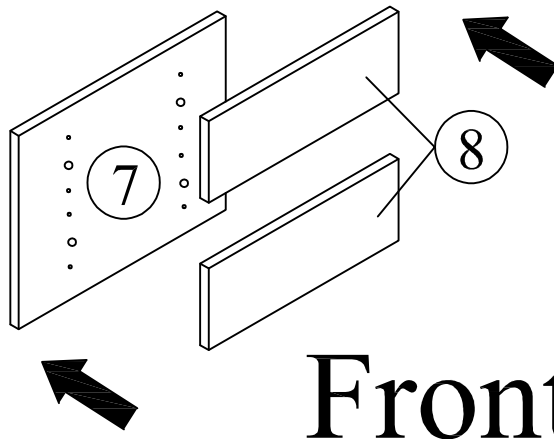


Step 10

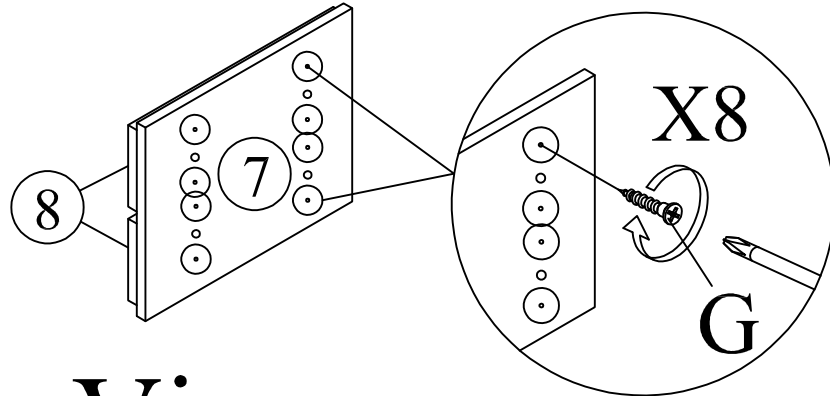


Back View

Step 11

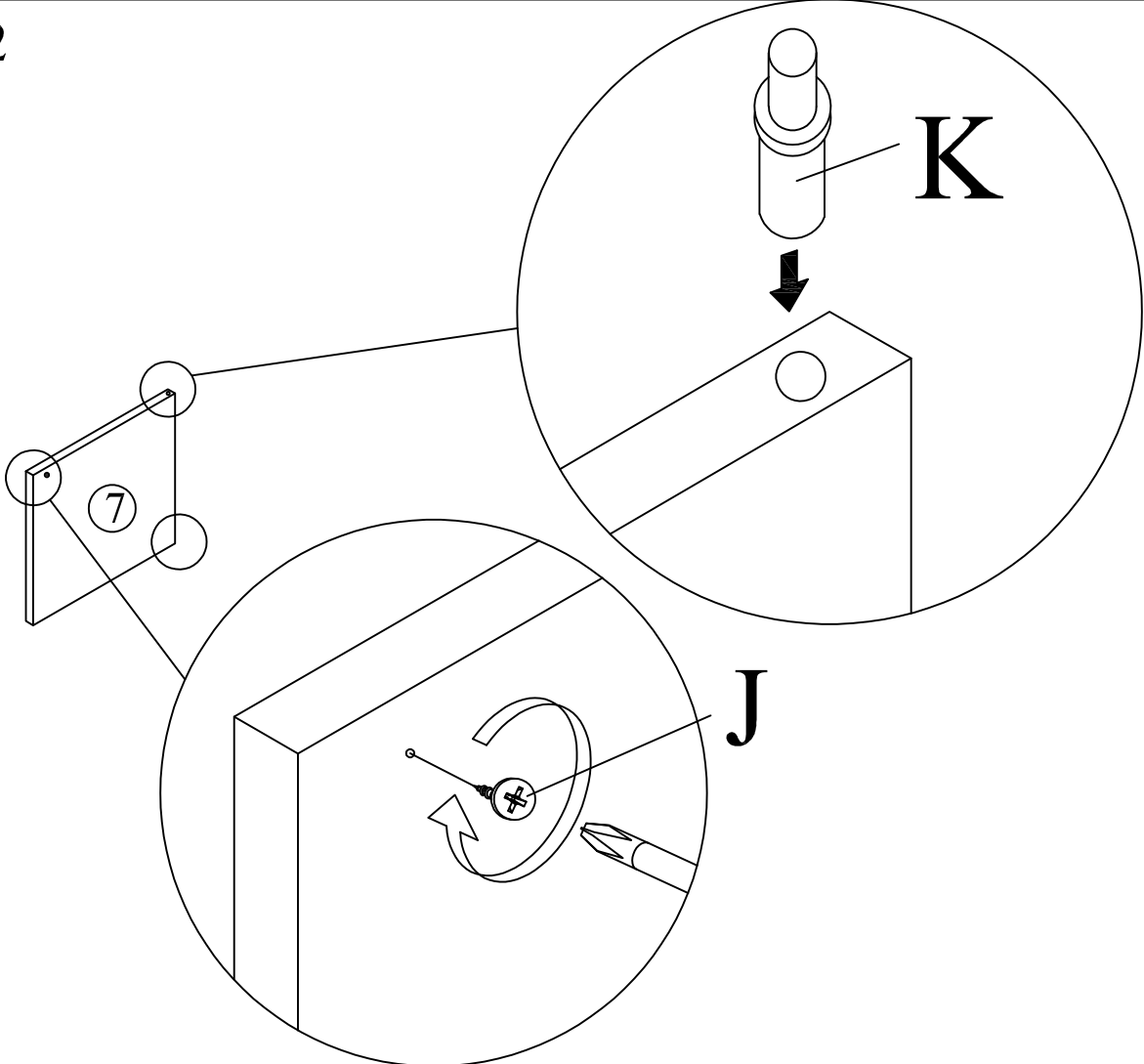


Front View



Back View

Step 12



Step 13

