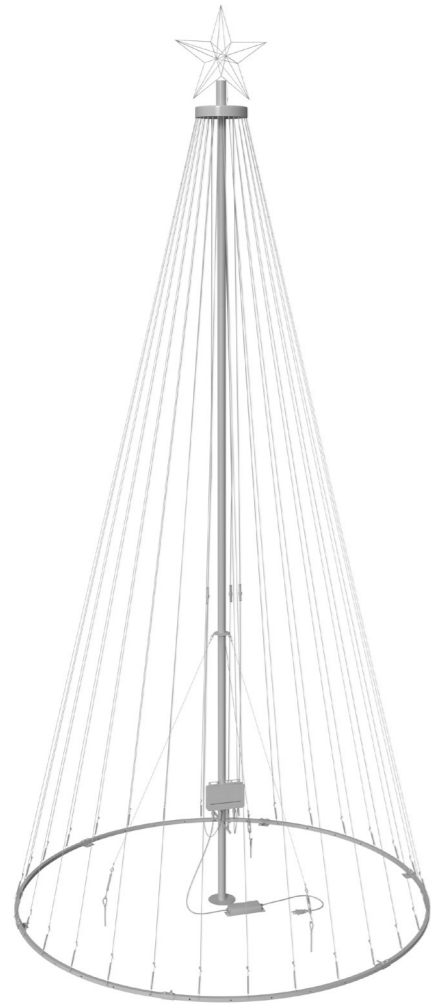


CHRISTMAS TREE



SIZE: 16FT

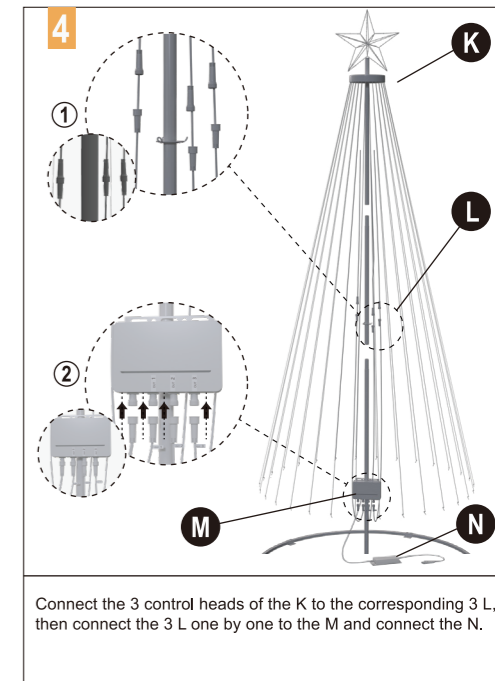
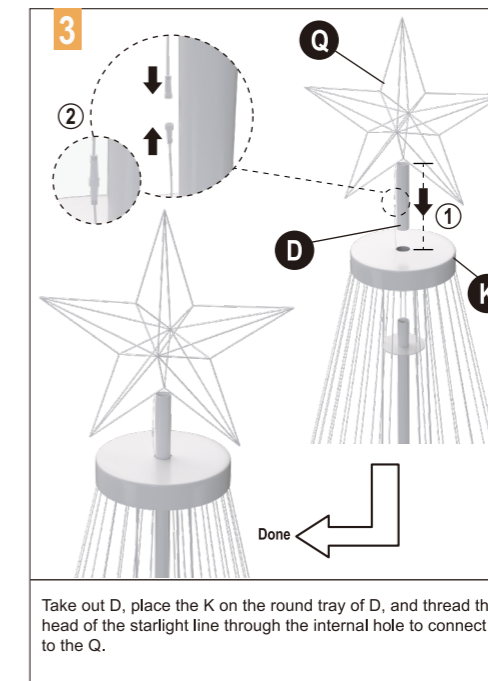
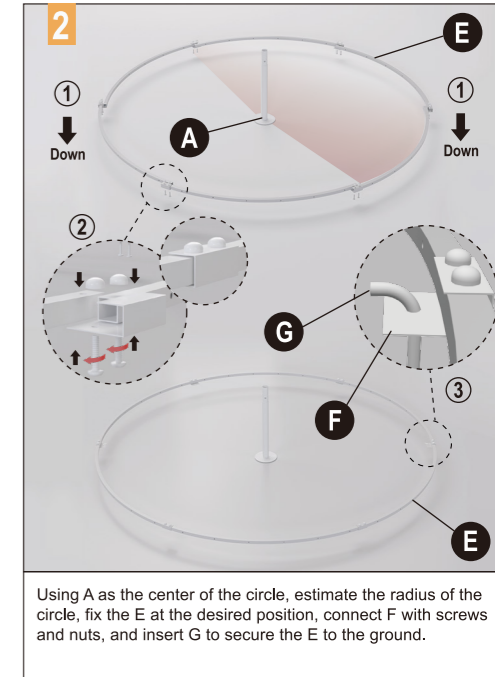
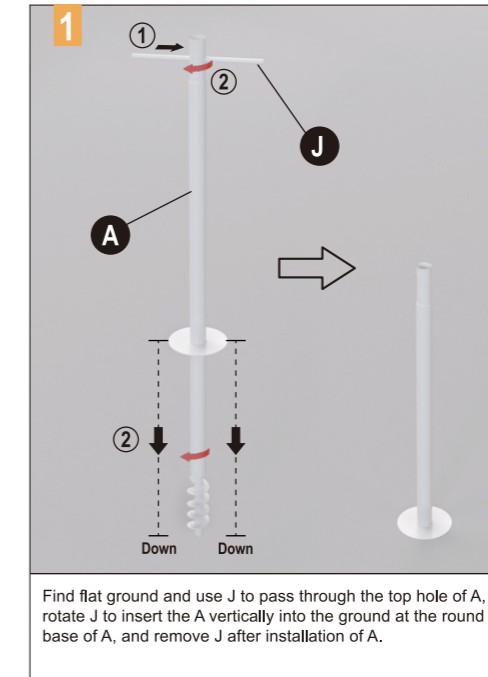
User Manual

PARIS LIST

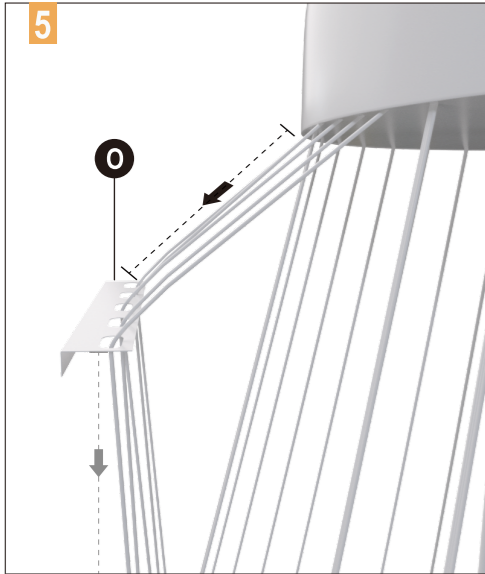
Parts		DESCRIPTION	QTY
A		Spiral Bottom Pole	1
B		Regular Pole	2
C		Reinforced Functional Pole	1
D		Top Pole	1
E		Bottom Circular Base	6

Parts		QTY	Parts		QTY	Parts		QTY
F		6	J		1	N		1
G		6	K		1	O		6
H		3	L		3	P		36
I		3	M		1	Q		1

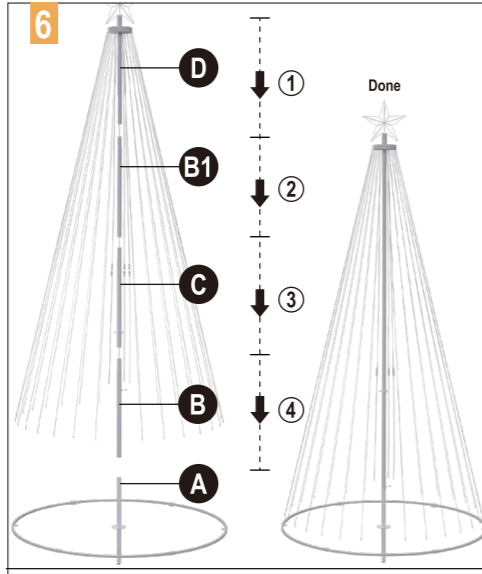
ASSEMBLY



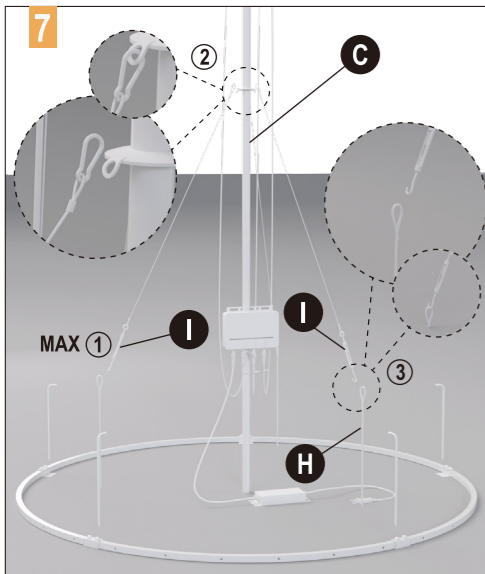
ASSEMBLY



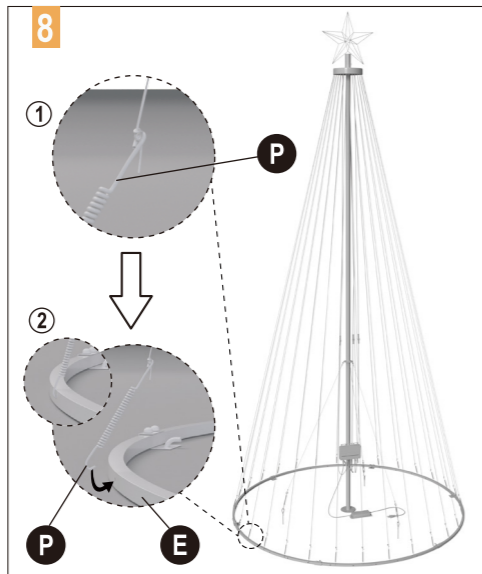
Unwind the ropes of the line lights, use the O to straighten it to the end of the line lights, but be careful not to remove the O, and let it stay at the end for installation in step 8.



Connect all poles, first connect the D to B1. Person A holds the B1, while person B connects C to B1, and then person A raise the top part while stabilizing C. Continue to connect the B+A, ensuring firm connections before proceeding to the next part. (D-B1-C-B-A)



Loosen the adjusting screw of the I to the maximum, connect one end of I to the reinforcement part of C, and secure the other end of I to the ground with a H. Then adjust the screw to ensure the I is taut.



Take one set of line lights, remove the O, thread the end of the line lights through the P and tie a knot, then hook P into the holes of the E. Repeat this step for the remaining sets of line lights in sequence, to avoid misplacement.

PLEASE NOTE:

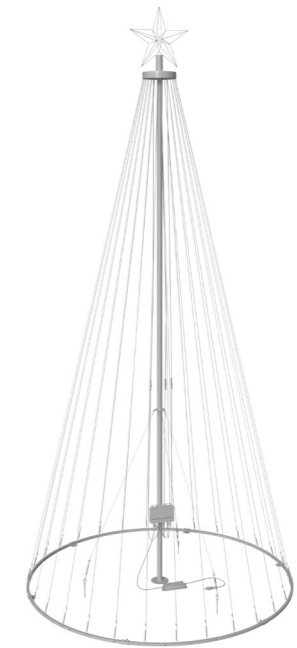
- 1 Ensure that the end of the line lights is securely connected to the spring hook and be cautious of the sharp tips of the spring hook to prevent the risk of scratches.
- 2 When installing the poles, verify that each pole component is securely connected to avoid the risk of falling and causing injury due to loose connections.
- 3 Please use the product in clear weather. In the event of sudden rain or snow, immediately cut off the power to prevent the risk of electric shock.

WARNING

- 1 Carefully read the installation steps and require at least 2 adults to perform the installation.
- 2 Contains small parts, be mindful of children accidentally ingesting them.

THANK YOU

FOR YOUR PURCHASE ON US
YOUR SUPPORT MEANS A LOT TO US



If you have any product installation problems or other questions, you can contact our customer service team via customer@christmas-tree.com, we will answer you as soon as possible!

CHRISTMAS TREE