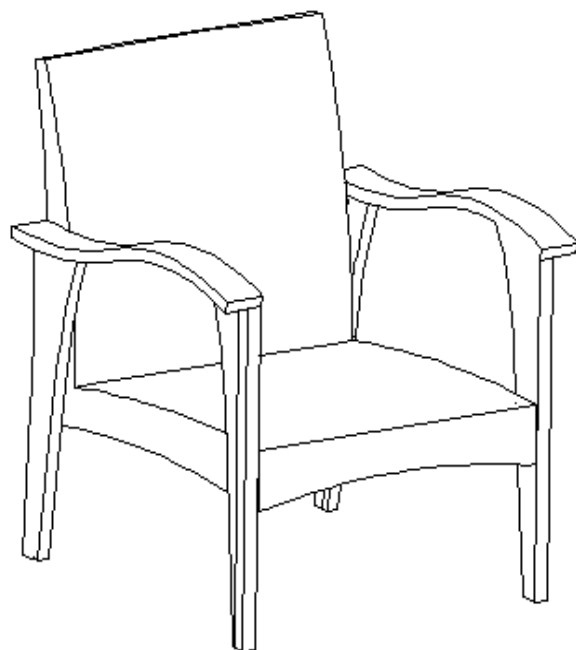


# Assembly Instructions

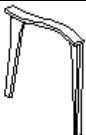
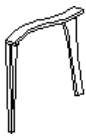

**CAUTION : You must read this before you proceed**

## Single Chair








**CAUTION : This Chair is NOT a TOY.  
Keep your child / children at bay during the assembly process.**

## Parts List

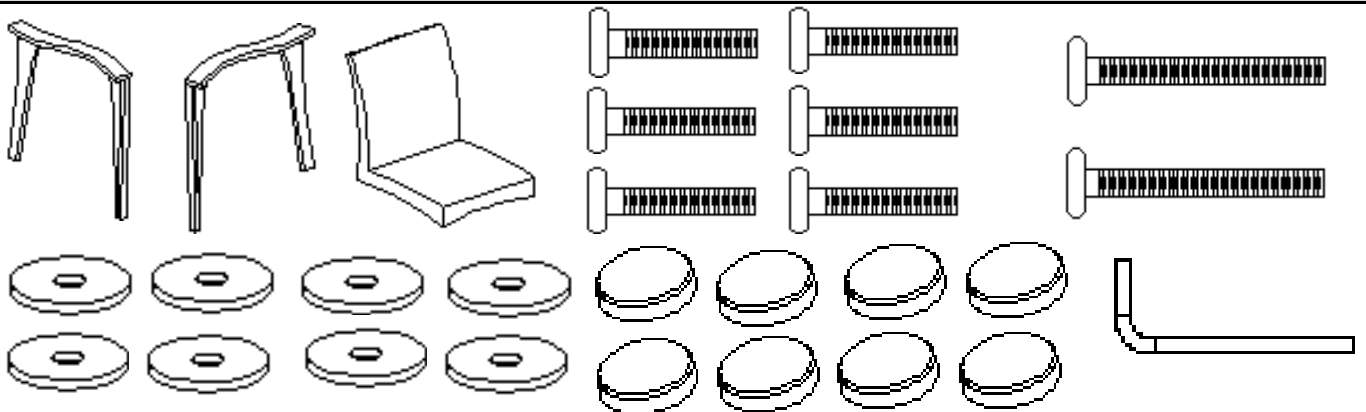
Label	Picture	Description	QTY
A		Left Armrest	1
B		Right Armrest	1
C		Seat	1

# Hardware

Label	Picture	Description	QTY
D		Bolt M6*35mm	6
E		Bolt M6*50mm	2
F		M6 Washer Rings	8
G		Bolt Cover	8
H		Allen Key	1

## Assembly Preparation

Before Beginning Assembly:



- Read instructions, cover to cover-



- Have 2 adults on hand for assembly-



- Do not assemble on flooring or carpet-



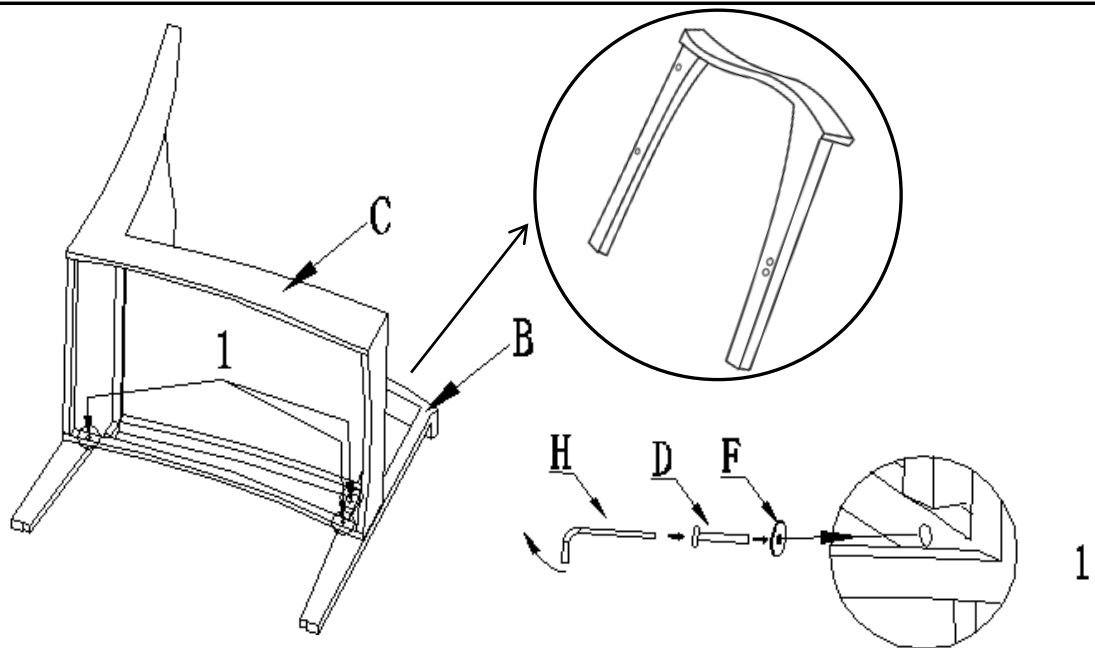
- Assemble on a clean non-marring surface (packing foam)-



- Save all packaging until finished-

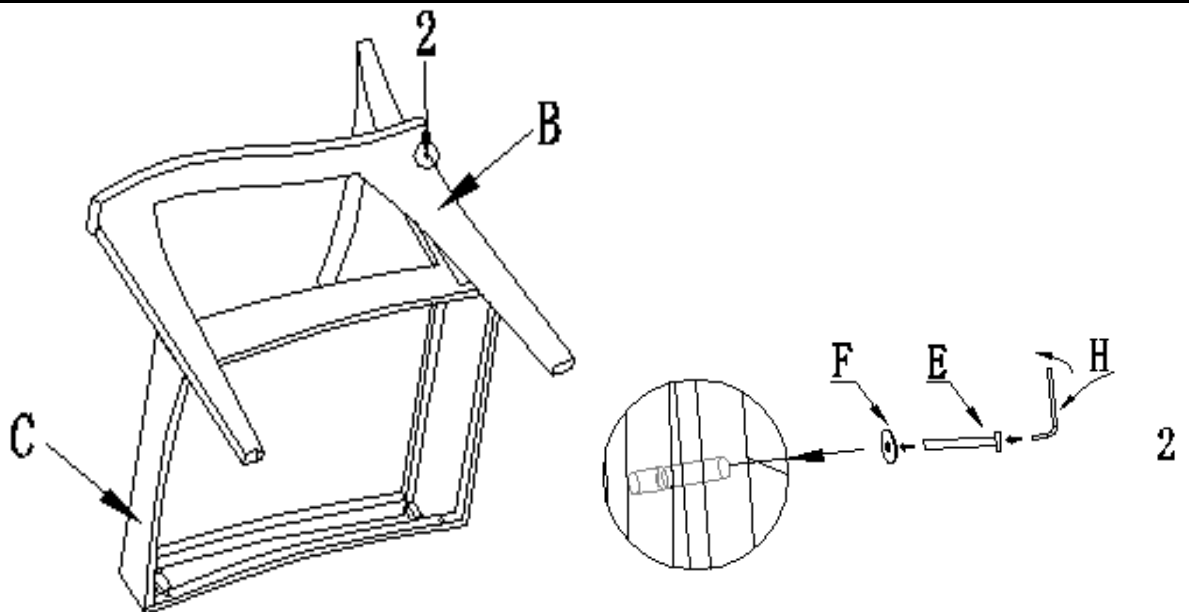
# Assembly Steps

## Step 1



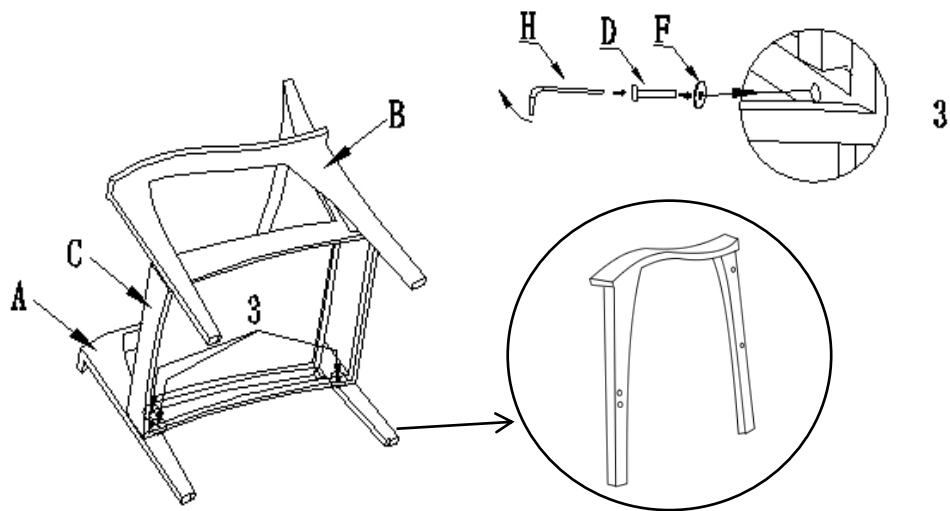
Open the carton and place all the parts onto a clean, non-marring surface.  
Put the Seat(C) against the Right Armrest(B) and line up the three mounting positions of both.  
Attach the Seat(C) to the Right Armrest(B) using Bolts(D) and Washers(F) with Allen Key(H).  
**LOOSELY TIGHTEN.**

## Step 2



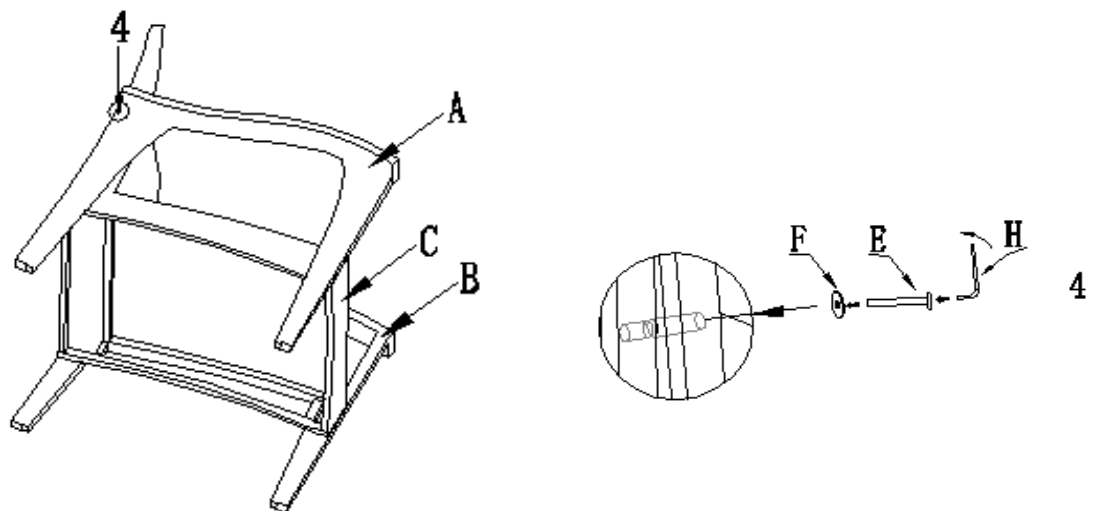
Turn the chair over, and attach Bolt(E) and Washer(F) using Allen Key(H) as pictured above.  
**LOOSELY TIGHTEN.**

### Step 3



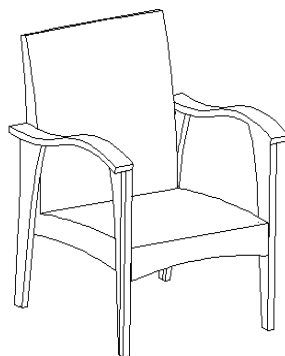
Put the Seat(C) against the Left Armrest(A) and line up the three mounting positions of both. Attach the Seat(C) to the Left Armrest(A) using Bolts(D) and Washers(F) with Allen Key(H). **LOOSELY TIGHTEN.**

### Step 4























Turn the Chair over, and attach Bolt(E) and Washer(F) using Allen Key(H) as pictured above. **Now tighten all Bolts at all joints.** Put the Bolt Covers(G) over all the Bolts.

### Step 5



Your Chair is ready for use.

## Care & Maintenance

-   ● Do not put hot items directly on furniture surface
  -   ● Do not clean furniture with harsh cleansers or polish.
  -   ● To obtain the longest lifespan of your outdoor products, minimizing exposure to direct sunlight is recommended.
  -   ● Children should not climb or jump on the furniture.
  -   ● Do not write on furniture without a padded barrier to protect the surface.
  -   ● To obtain the longest lifespan of your outdoor products, avoid extended and lengthy exposure to rain, snow, and direct sunshine. Whenever possible cover the product and /or place under patio or awnings.
  -   ● Not for commercial use. For residential use only .
  -   ● Stains may be removed with mild soap solution and damp cloth.
  -   ● Keep away from sources of ignition.
- 
-   ● Dust and pick-up spills using a clean, non-colored, lint-free cloth .

### What is Proposition 65?

Proposition 65 is a California law that requires warning labels on products that may contain one of more than 800-plus chemicals or ingredients that the California Office of Environmental Health Hazard Assessment (OEHHA) has deemed to cause cancer or other reproductive toxicity. Chemicals and elements on this list include wood dust, brass, and other everyday substances, which can be found in very common household items, such as: lamps, tableware, jewelry, crystal glasses, electric cords, beauty products, automobiles, and furniture.

### Why Did I Find a Proposition 65 Warning on My Home Goods Product?

We include Proposition 65 warnings on all of our products because there is always a chance that one of the 800-plus common chemicals and ingredients listed under this law could potentially be on our furniture or packing materials. We risk large fines under this law, if we don't include this warning.

### Should I worry?

We realize you may be worried finding this warning on our products, but we want to reassure you that the hazardous exposure limits for any of these chemicals have never been found on furniture products that we've shipped to our customers. Additionally, this warning label is very common and can be found on almost every piece of furniture sold in the state of California.

### Just How Common Are Proposition 65 Warnings?

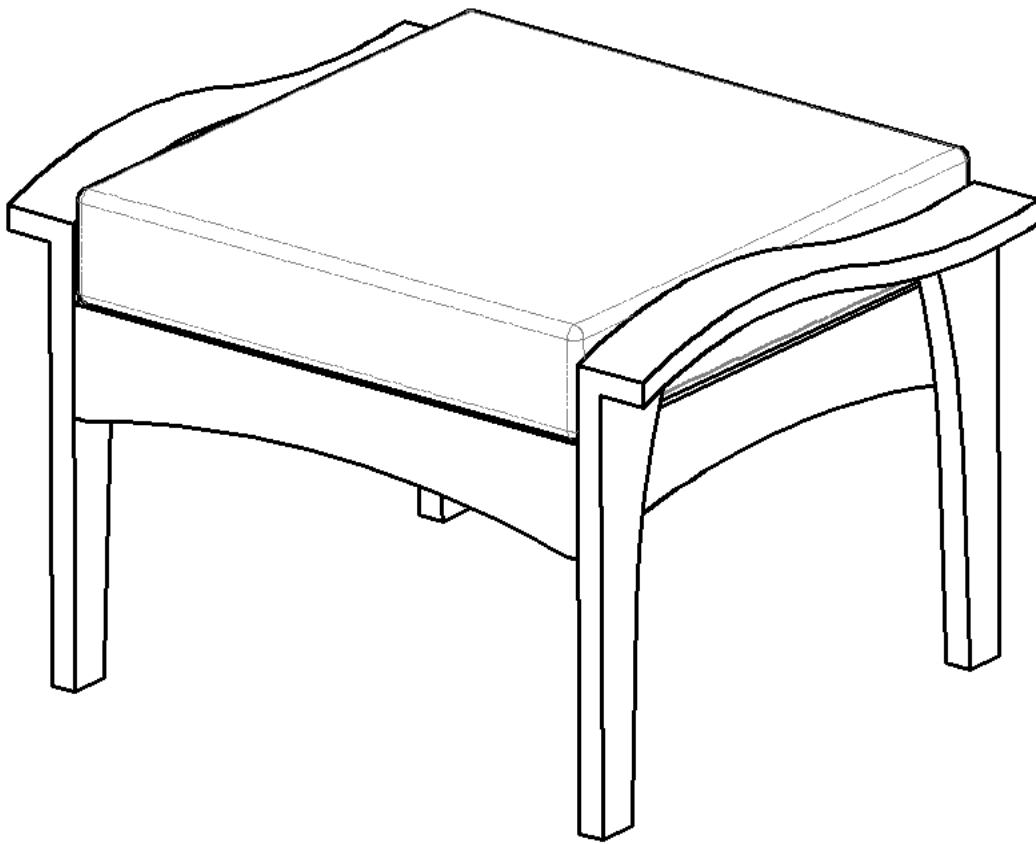
Proposition 65 warnings have become so common in California that it is hard to take a trip to a local bank, grocery store, or restaurant without finding at least one warning. In fact, even the Disney Land Resort has a Proposition 65 warning:



# Assembly Instructions

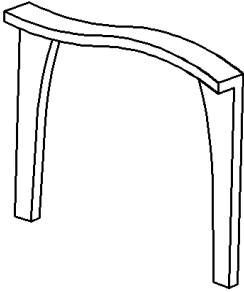
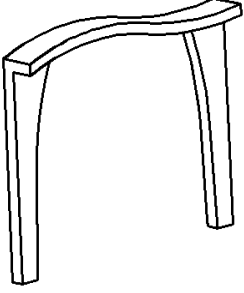
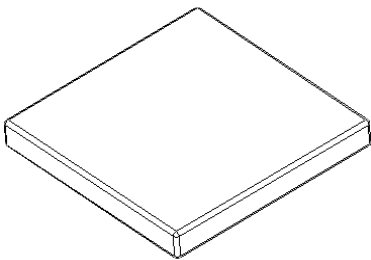
Caution: You must read this before you proceed

## Ottoman


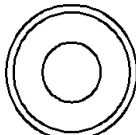
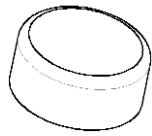



## Parts List

Label	Picture	Description	QTY
A	A line drawing of a square seat board, which is a component of the ottoman. It has rounded corners and small circular holes at each of the four corners, likely for screws or fasteners. The drawing is a simple black and white line art.	Seat Board	1

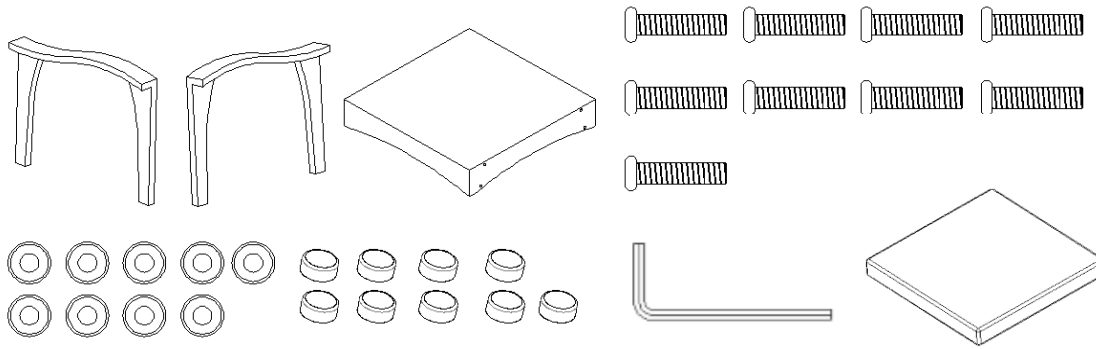
B		Right Armrest	1
C		Left Armrest	1
D		Cushion	1

## Hardware

Label	Picture	Description	QTY
①		Bolt (M6*35)	9
②		Washer	9
③		Bolt cover	9
④		Allen Key	1

## Assembly Preparation

## Before Beginning Assembly:



- Read instructions, cover to cover-



- Have 2 adults on hand for assembly-



- Do not assemble on flooring or carpet-

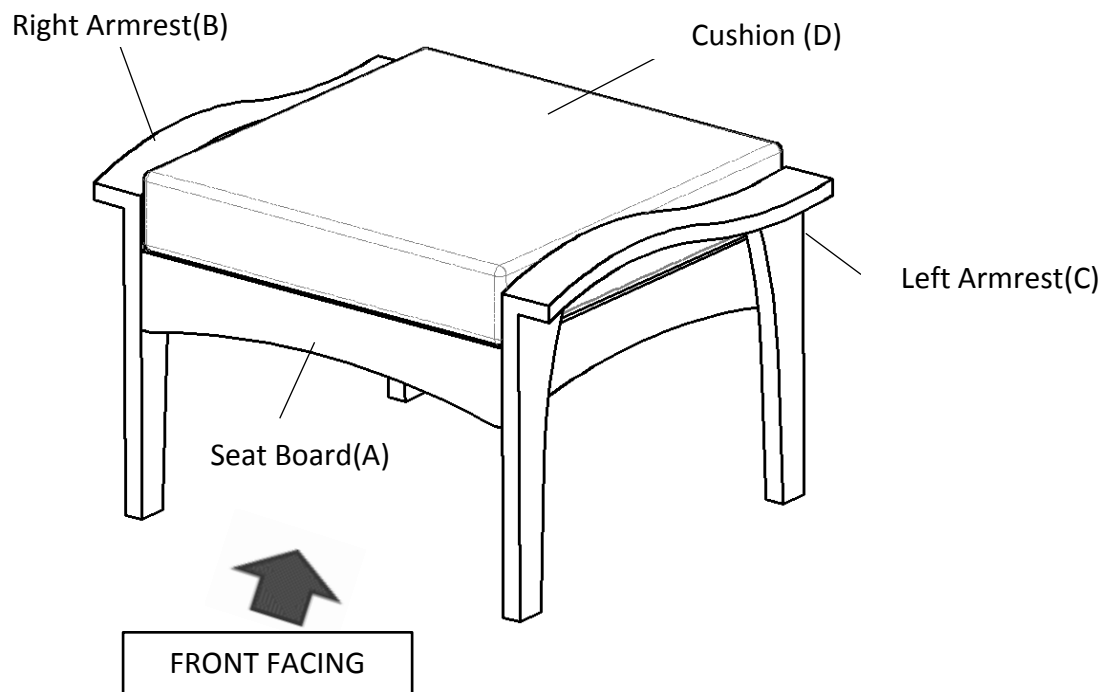


- Assemble on a clean non-marring surface (packing foam)-



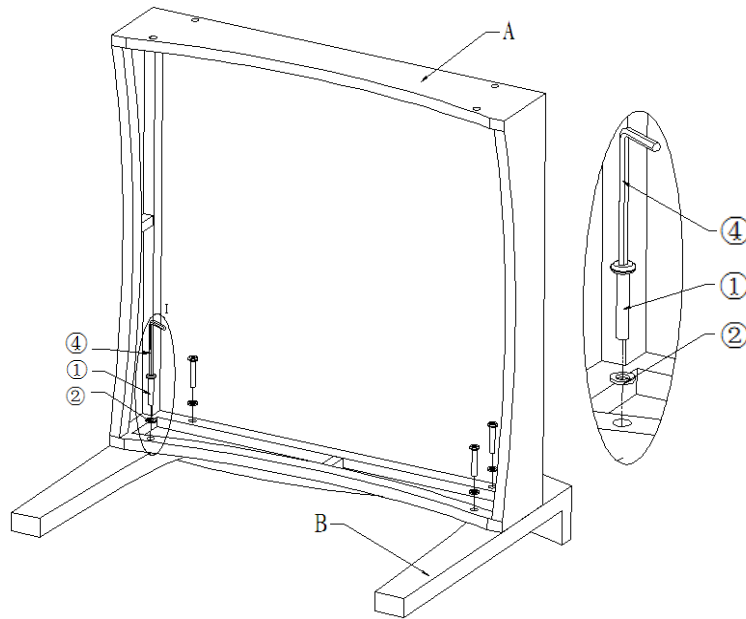
- Save all packaging until finished-

## Assembly Steps



This Ottoman has multiple parts and may require up to 30 minutes to assemble. To give you an overview of the Ottoman parts, the above picture is to help you put the various parts into perspective. Please read through the instructions below to familiarise yourself with the parts and steps before assembly.

## Step 1



Open the carton and place all the parts onto a clean, non-marring surface.

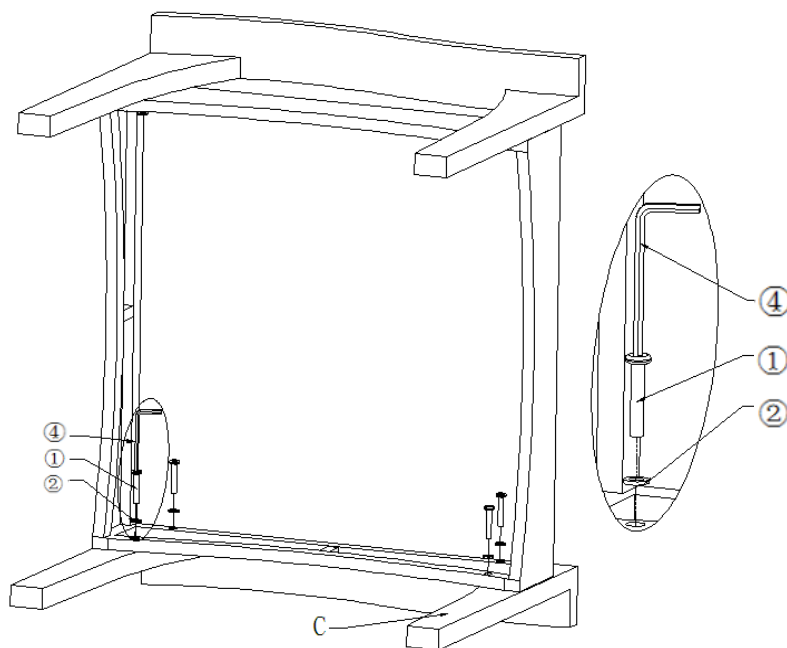
Place the Right Armrest(B) with its inside facing up.

Attach Seat Board(A) to Right Armrest(B) using Bolt(①) and Washer(②) with Allen Key(④) as shown above.

**Only loosely tighten the Bolts.**

**ATTENTION:** There may be some PE wicker that may have covered the Bolt points. To ease assembly, guide and slide the PE wicker away from the mounting positions. **DO NOT CUT AWAY** any PE WICKER as this would cause the wicker to unravel!

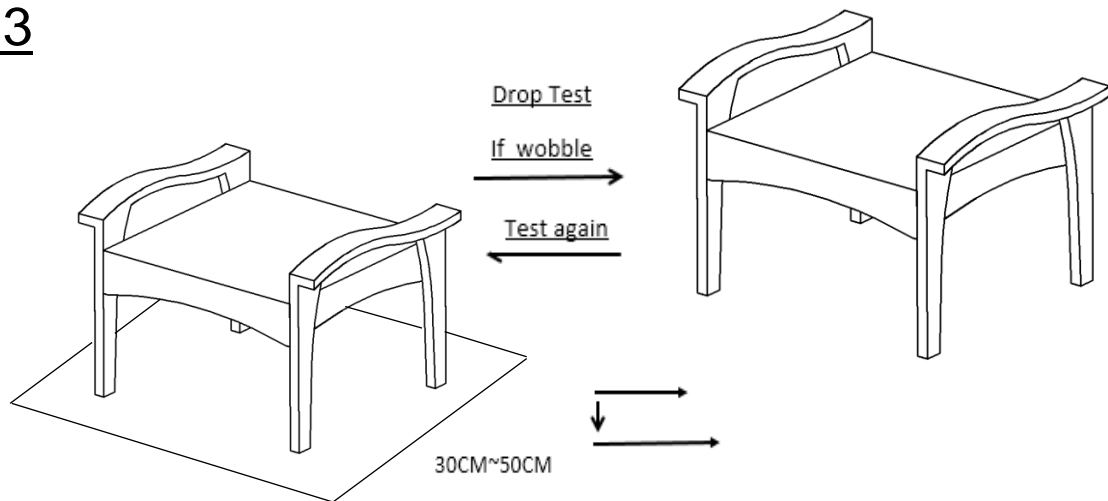
## Step 2



Attach Left Armrest(C) to the Seat Board(A) using Bolt(①) and Washer(②) with Allen Key(④) as shown above.

**Only loosely tighten Bolts.**

## Step 3



Stand the Ottoman right way up. Place the Ottoman on a **LEVEL SURFACE** to check for wobbles.

If it wobbles, lift the Ottoman to some 20cm to 30cm high from the ground.

Keep your feet and toes well away from the drop zone.

Drop the Ottoman freely and vertically with all four legs, hitting the ground, at the same time. This Drop Test will help to ensure that all the Bolts and gaps reach full alignment status.

Test again for evenness on a **LEVEL SURFACE**.

If no wobbles are found, slowly and steadily, turn the Ottoman facedown.

Then, proceed to tighten all Bolts in a sequential manner.

**When tightening the Bolts, tighten sequentially.**

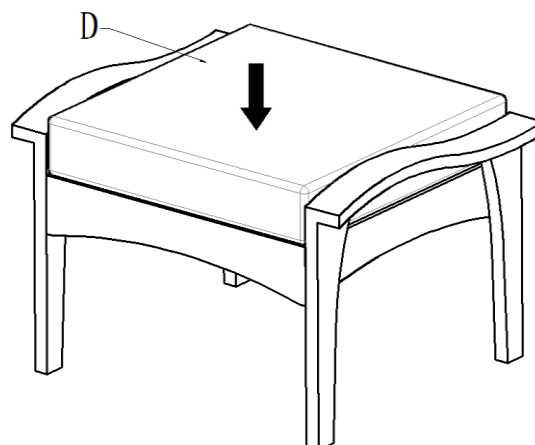
**DO NOT** tighten any Bolt fully and then towards the next one.

**This could cause the frame to warp. If there are still wobbles, loosen the Bolts and execute the same drop test.**

**If the Table is not stable, it could lead to damage to the product.**

**Place Bolt covers(③) over all of the Bolts.**

## Step 4























Place the Cushion(D) onto the Ottoman as shown.

Your Ottoman is ready for use.

Caution: This Ottoman can only be used on a flat, level surface.

## Care & Maintenance

-   ● Do not put hot items directly on furniture surface
  -   ● Do not clean furniture with harsh cleansers or polish.
  -   ● To obtain the longest lifespan of your outdoor products, minimizing exposure to direct sunlight is recommended.
  -   ● Children should not climb or jump on the furniture.
  -   ● Do not write on furniture without a padded barrier to protect the surface.
  -   ● To obtain the longest lifespan of your outdoor products, avoid extended and lengthy exposure to rain, snow, and direct sunshine. Whenever possible cover the product and /or place under patio or awnings.
  -   ● Not for commercial use. For residential use only .
  -   ● Stains may be removed with mild soap solution and damp cloth.
  -   ● Keep away from sources of ignition.
- 
-   ● Dust and pick-up spills using a clean, non-colored, lint-free cloth .

### What is Proposition 65?

Proposition 65 is a California law that requires warning labels on products that may contain one of more than 800-plus chemicals or ingredients that the California Office of Environmental Health Hazard Assessment (OEHHA) has deemed to cause cancer or other reproductive toxicity. Chemicals and elements on this list include wood dust, brass, and other everyday substances, which can be found in very common household items, such as: lamps, tableware, jewelry, crystal glasses, electric cords, beauty products, automobiles, and furniture.

### Why Did I Find a Proposition 65 Warning on My Home Goods Product?

We include Proposition 65 warnings on all of our products because there is always a chance that one of the 800-plus common chemicals and ingredients listed under this law could potentially be on our furniture or packing materials. We risk large fines under this law, if we don't include this warning.

### Should I worry?

We realize you may be worried finding this warning on our products, but we want to reassure you that the hazardous exposure limits for any of these chemicals have never been found on furniture products that we've shipped to our customers. Additionally, this warning label is very common and can be found on almost every piece of furniture sold in the state of California.

### Just How Common Are Proposition 65 Warnings?

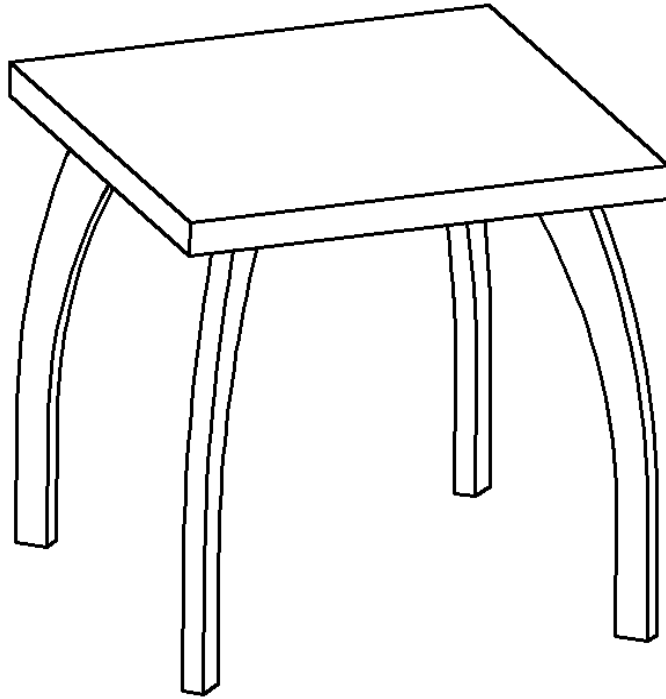
Proposition 65 warnings have become so common in California that it is hard to take a trip to a local bank, grocery store, or restaurant without finding at least one warning. In fact, even the Disney Land Resort has a Proposition 65 warning:



# Assembly Instructions

Caution: You must read this before you proceed


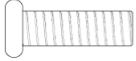


## Table



## Parts List

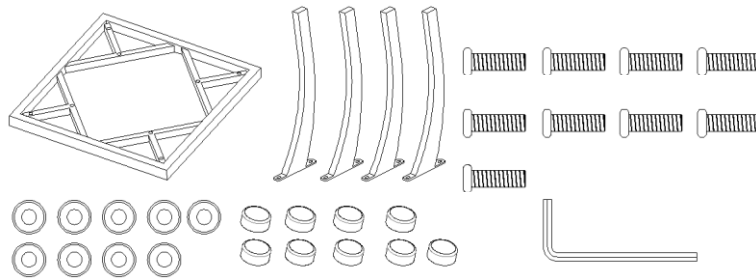
Label	Picture	Description	QTY
A	A line drawing of a square table top frame, showing a square shape with internal cross-bracing.	Table Top	1
B	A line drawing of a single curved leg, showing a simple curved shape.	Leg	4

# Hardware

Label	Picture	Description	QTY
①		Bolt Cover	9
②		Bolt M6*20mm	9
③		Washer	9
④		Allen Key	1

# Assembly Preparation

Before Beginning Assembly:



- Read instructions, cover to cover-



- Have 2 adults on hand for assembly-



- Do not assemble on flooring or carpet-



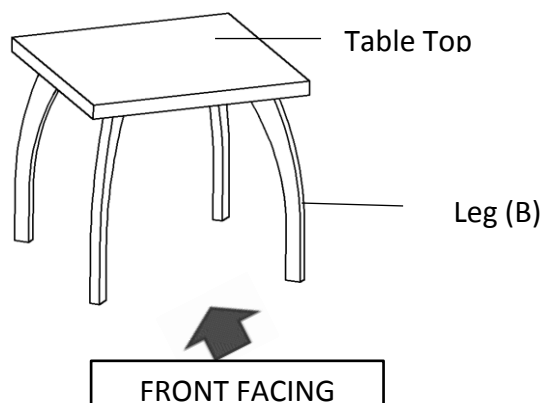
- Assemble on a clean non-marring surface (packing foam)-



- Save all packaging until finished-

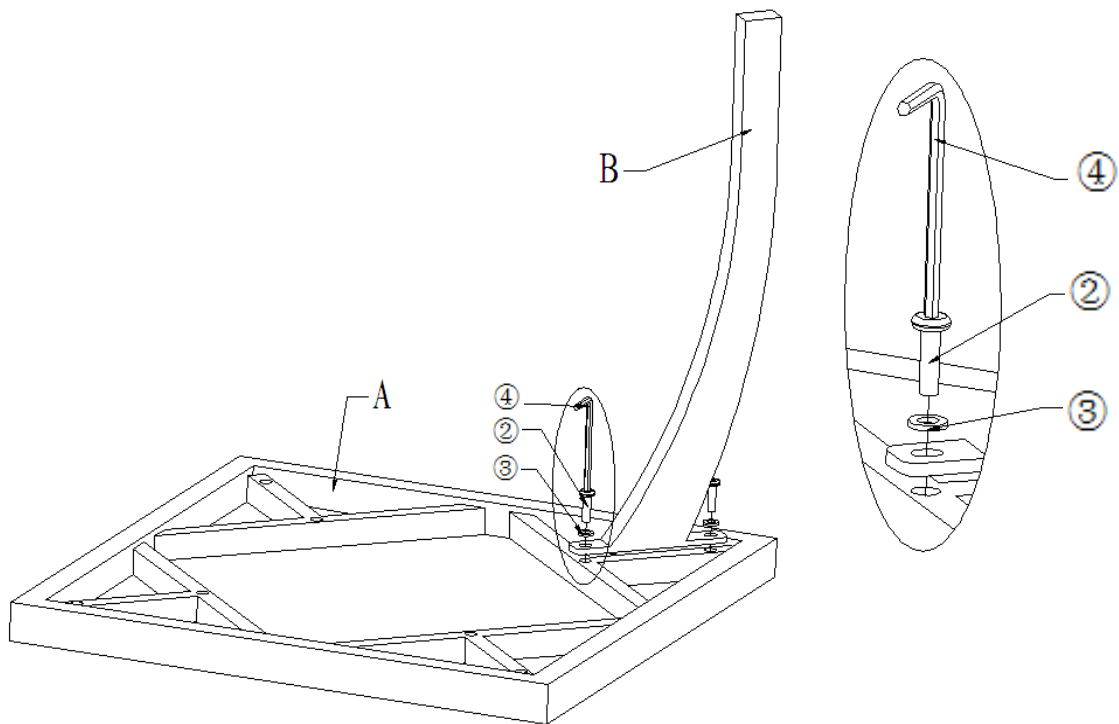
# Assembly Steps

## Overview



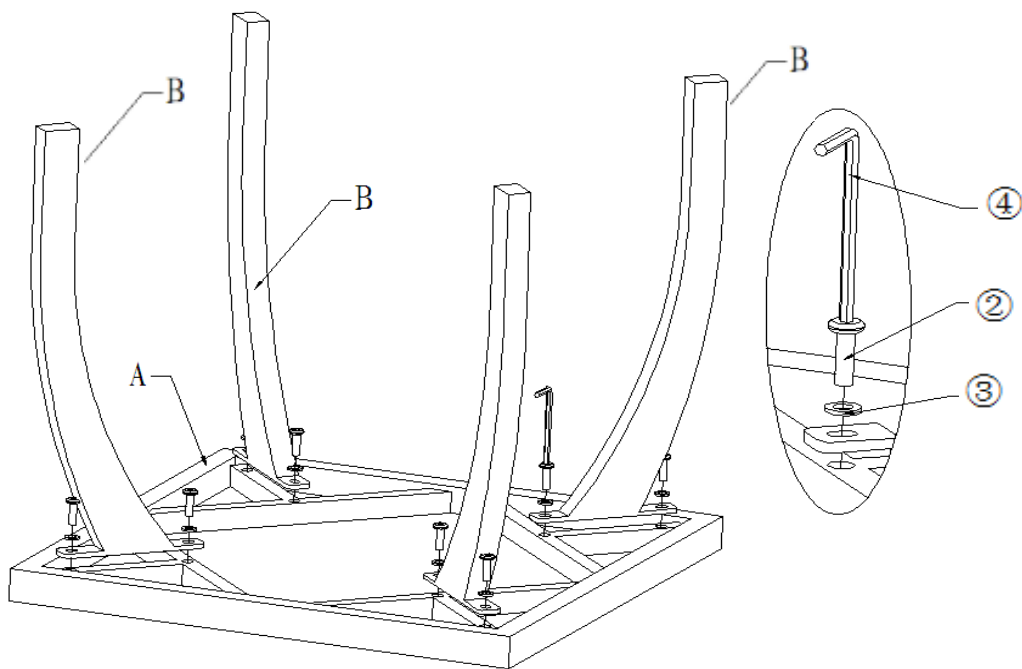
This Table has multiple parts and may require up to 30 minutes to assemble. To give you an overview of the Table parts, the above picture is to help you put the various parts into perspective. Please read through the instructions below to familiarise yourself with the parts and steps before assembly.

## Step 1



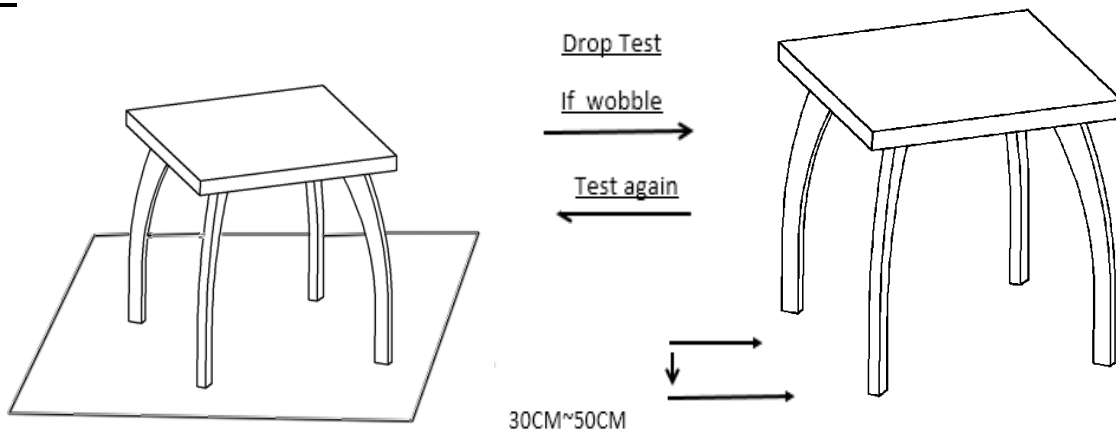
Open the carton and place all the parts onto a clean, non-marring surface.  
Attach Leg(B) onto the Table Top(A) using Bolt(②) and Washer(③) with Allen Key(④).  
**Only loosely tighten Bolts.**

## Step 2



Repeat Step 1 with the remaining three Legs(B).  
**Only loosely tighten Bolts.**

### Step 3



Stand the Table right way up. Place the Table on a LEVEL SURFACE to check for wobbles. If it wobbles, lift the table some 20cm to 30cm high from the ground. Keep your feet and toes well away from the drop zone. Drop the table freely and vertically with all four legs, hitting the ground, at the same time. This Drop Test will help to ensure that all Bolts and gaps reach full alignment status. Test again for evenness on a LEVEL SURFACE. If no wobbles are found, slowly and carefully, turn the Table facedown. Then, proceed to tighten all Bolts in a sequential manner.

**When tightening the Bolts, tighten sequentially.**

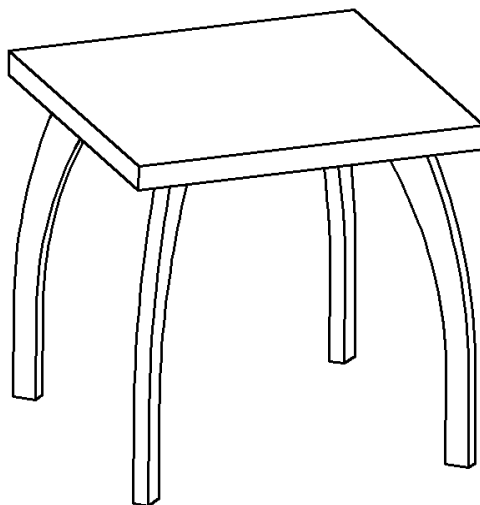
**DO NOT tighten any Bolt fully and then towards the next one.**

**This could cause the frame to warp. If there are still wobbles, loosen the Bolts and execute the same drop test.**

**If the Table is not stable, it could lead to damage to the product.**





















Put the Bolt Covers(①) over all of the Bolts(②).

### Step 4



Your Table is ready for use.  
This Table can only be used on a flat, level surface.

## Care & Maintenance

-   ● Do not put hot items directly on furniture surface
  -   ● Do not clean furniture with harsh cleansers or polish.
  -   ● To obtain the longest lifespan of your outdoor products, minimizing exposure to direct sunlight is recommended.
  -   ● Children should not climb or jump on the furniture.
  -   ● Do not write on furniture without a padded barrier to protect the surface.
  -   ● To obtain the longest lifespan of your outdoor products, avoid extended and lengthy exposure to rain, snow, and direct sunshine. Whenever possible cover the product and /or place under patio or awnings.
  -   ● Not for commercial use. For residential use only .
  -   ● Stains may be removed with mild soap solution and damp cloth.
  -   ● Keep away from sources of ignition.
- 
-   ● Dust and pick-up spills using a clean, non-colored, lint-free cloth .

### What is Proposition 65?

Proposition 65 is a California law that requires warning labels on products that may contain one of more than 800-plus chemicals or ingredients that the California Office of Environmental Health Hazard Assessment (OEHHA) has deemed to cause cancer or other reproductive toxicity. Chemicals and elements on this list include wood dust, brass, and other everyday substances, which can be found in very common household items, such as: lamps, tableware, jewelry, crystal glasses, electric cords, beauty products, automobiles, and furniture.

### Why Did I Find a Proposition 65 Warning on My Home Goods Product?

We include Proposition 65 warnings on all of our products because there is always a chance that one of the 800-plus common chemicals and ingredients listed under this law could potentially be on our furniture or packing materials. We risk large fines under this law, if we don't include this warning.

### Should I worry?

We realize you may be worried finding this warning on our products, but we want to reassure you that the hazardous exposure limits for any of these chemicals have never been found on furniture products that we've shipped to our customers. Additionally, this warning label is very common and can be found on almost every piece of furniture sold in the state of California.

### Just How Common Are Proposition 65 Warnings?

Proposition 65 warnings have become so common in California that it is hard to take a trip to a local bank, grocery store, or restaurant without finding at least one warning. In fact, even the Disney Land Resort has a Proposition 65 warning:

