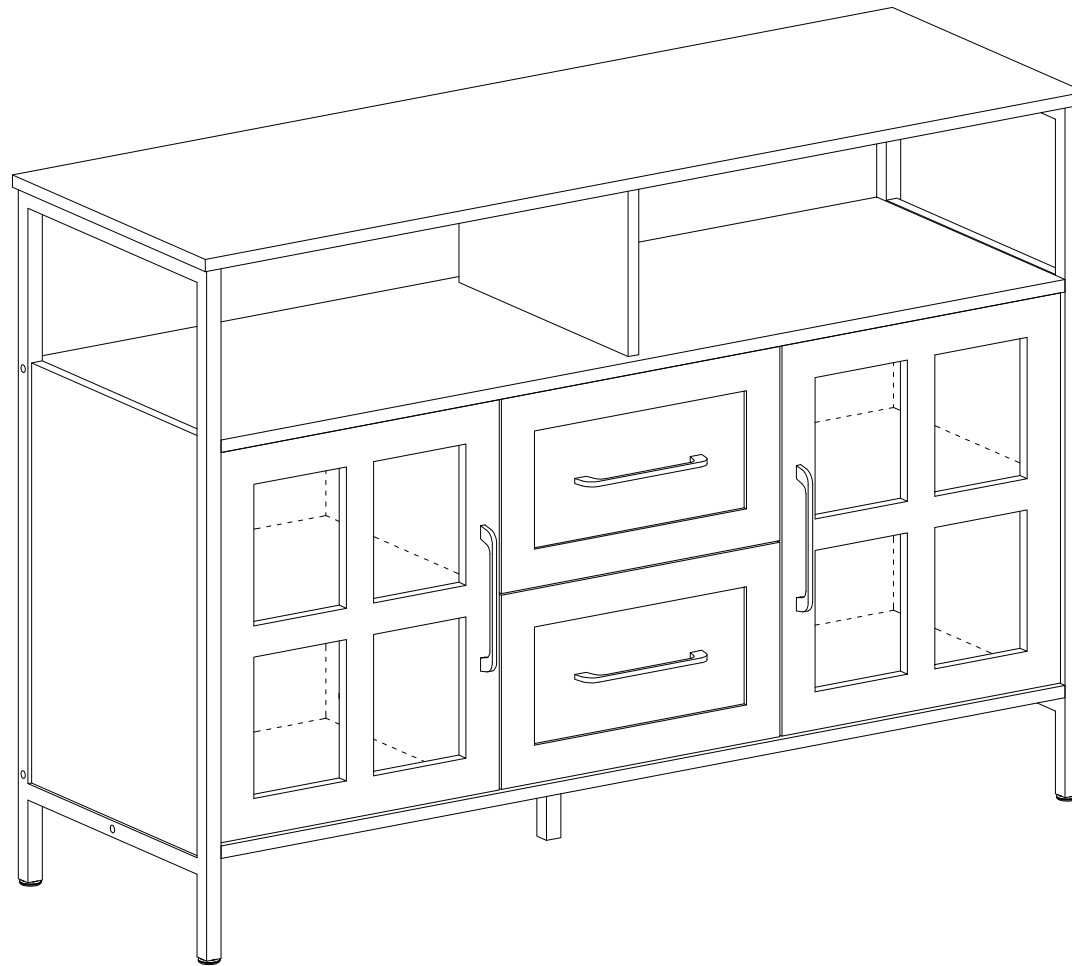
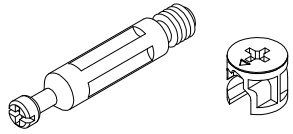


Installation & Assembly



Hardware

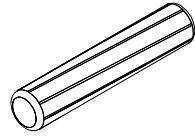
A x 28sets



A1

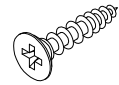
A2

B x 20pcs



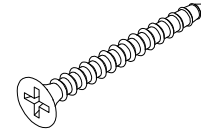
Φ8x40

C x 36pcs



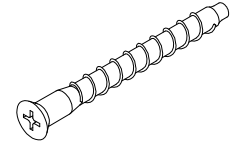
Φ3.5x14

D x 8pcs



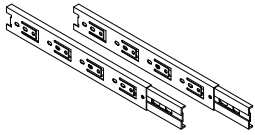
Φ3.5x35

E x 8pcs

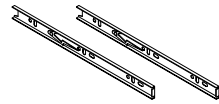


M7x50

F x 2sets

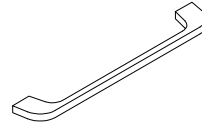


F1



F2

G x 4pcs



160MM

H x 4pcs



M4x20

J x 4pcs



M4x15

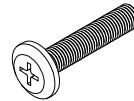
K x 8pcs



L x 12pcs

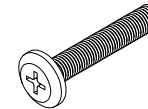


M x 8pcs



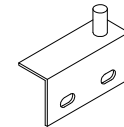
M6x30

N x 2pcs

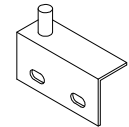


M6x35

Q x 2sets

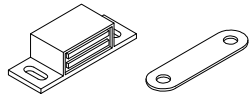


Q1



Q2

R x 2sets



R1

R2

S x 4pcs



Φ3x14

T x 4pcs



Φ3x16

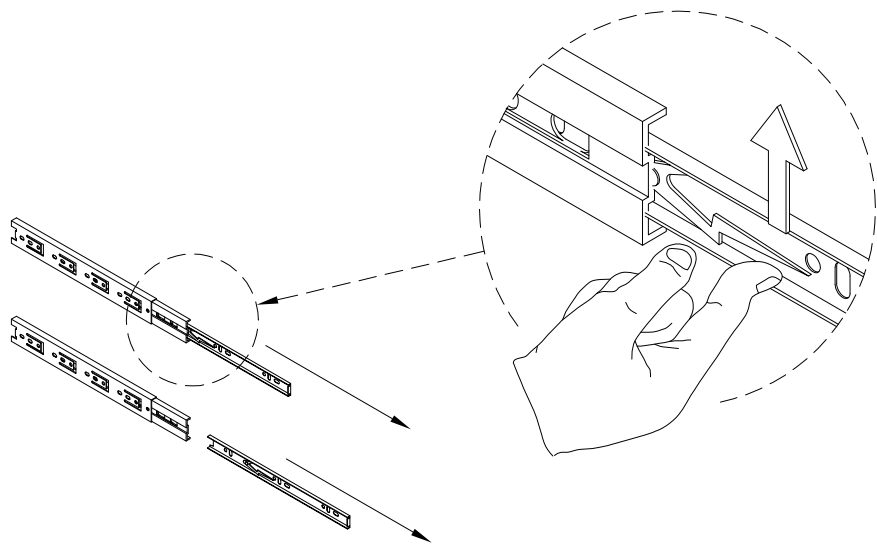
W x 18pcs



M6x15

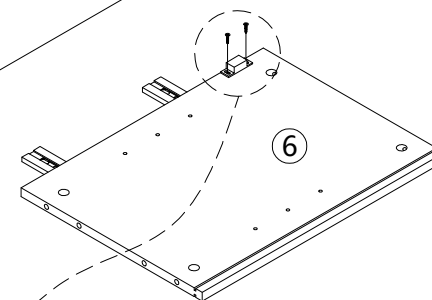
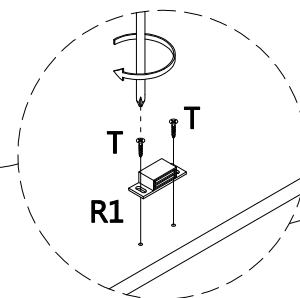
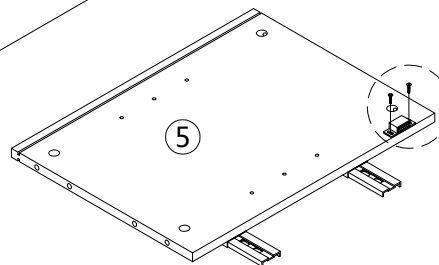
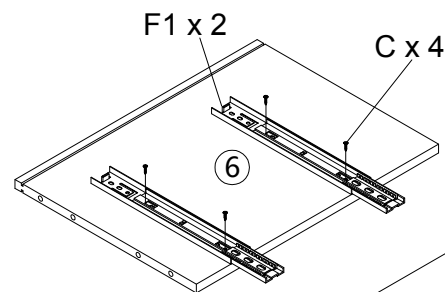
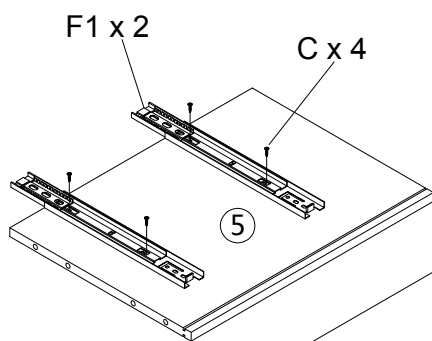
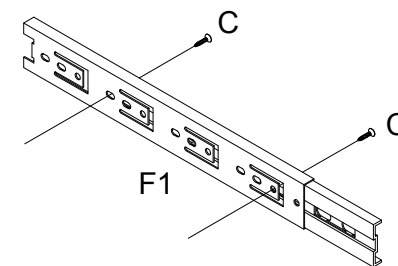
Step 1

C x 8 F1 x 4 R1 x 2 T x 4



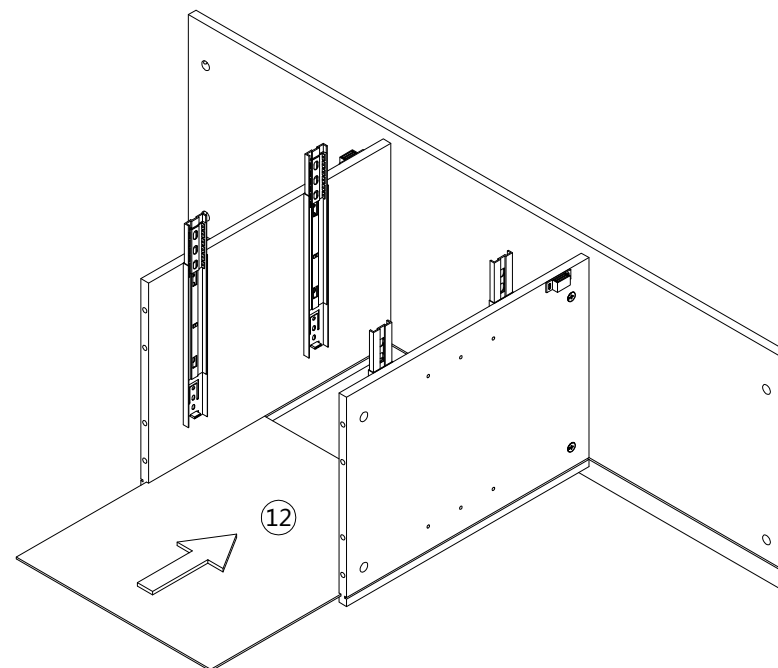
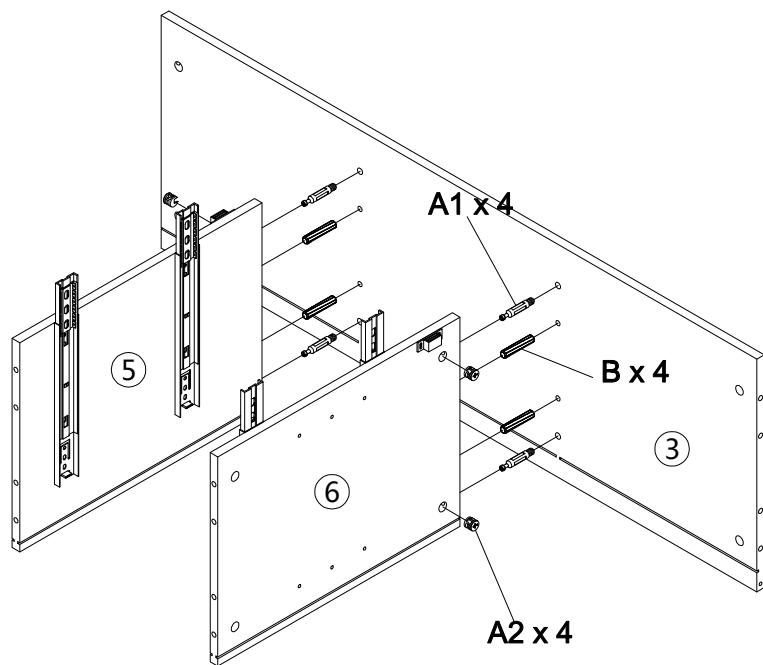
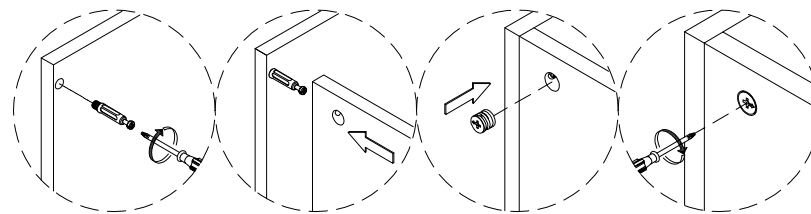
REMARK:

When installing, please make sure the screws are flattened, Not crooked; Otherwise the drawers will not be installed perfectly.



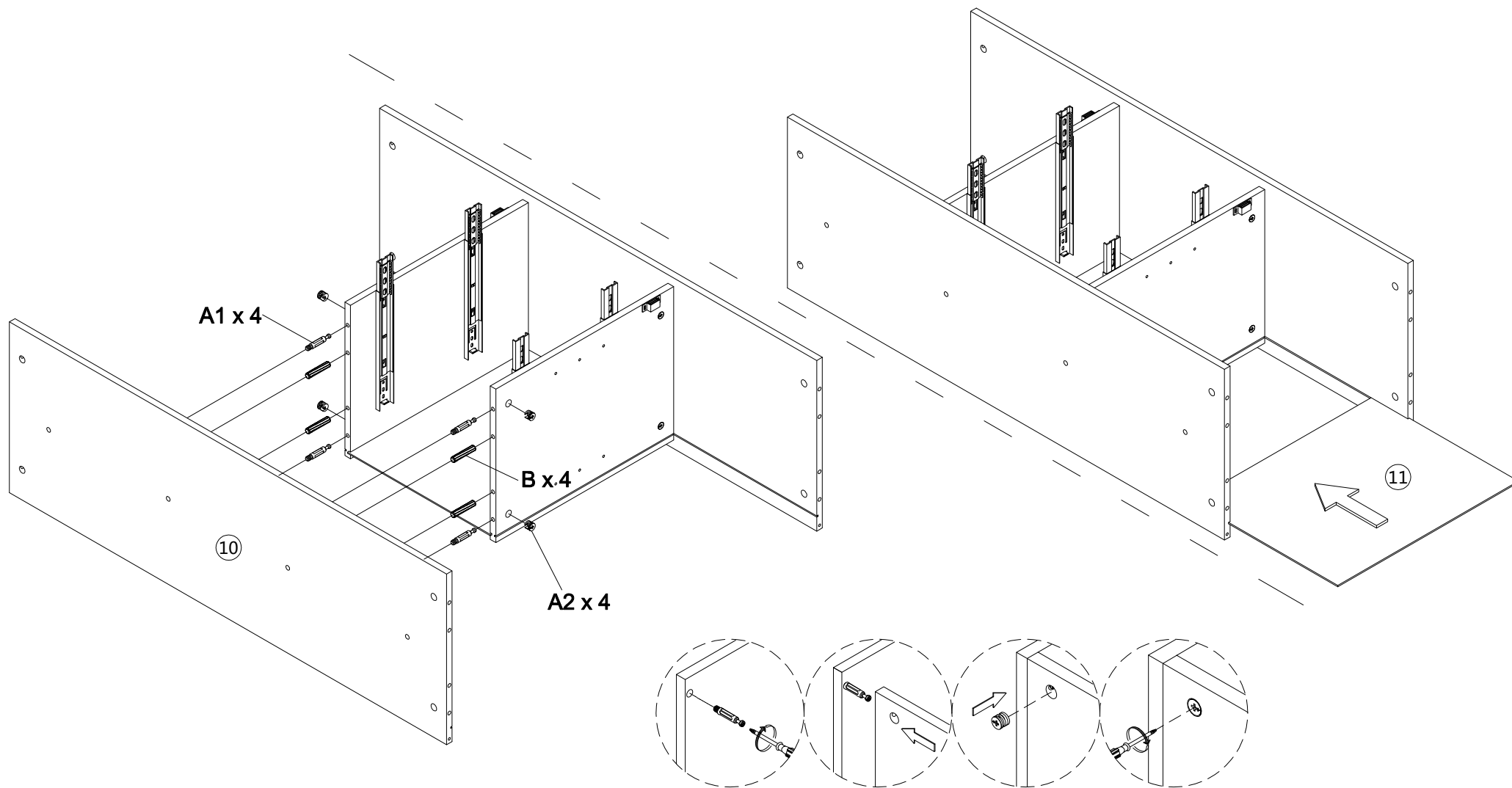
Step 2

A x 4 B x 4



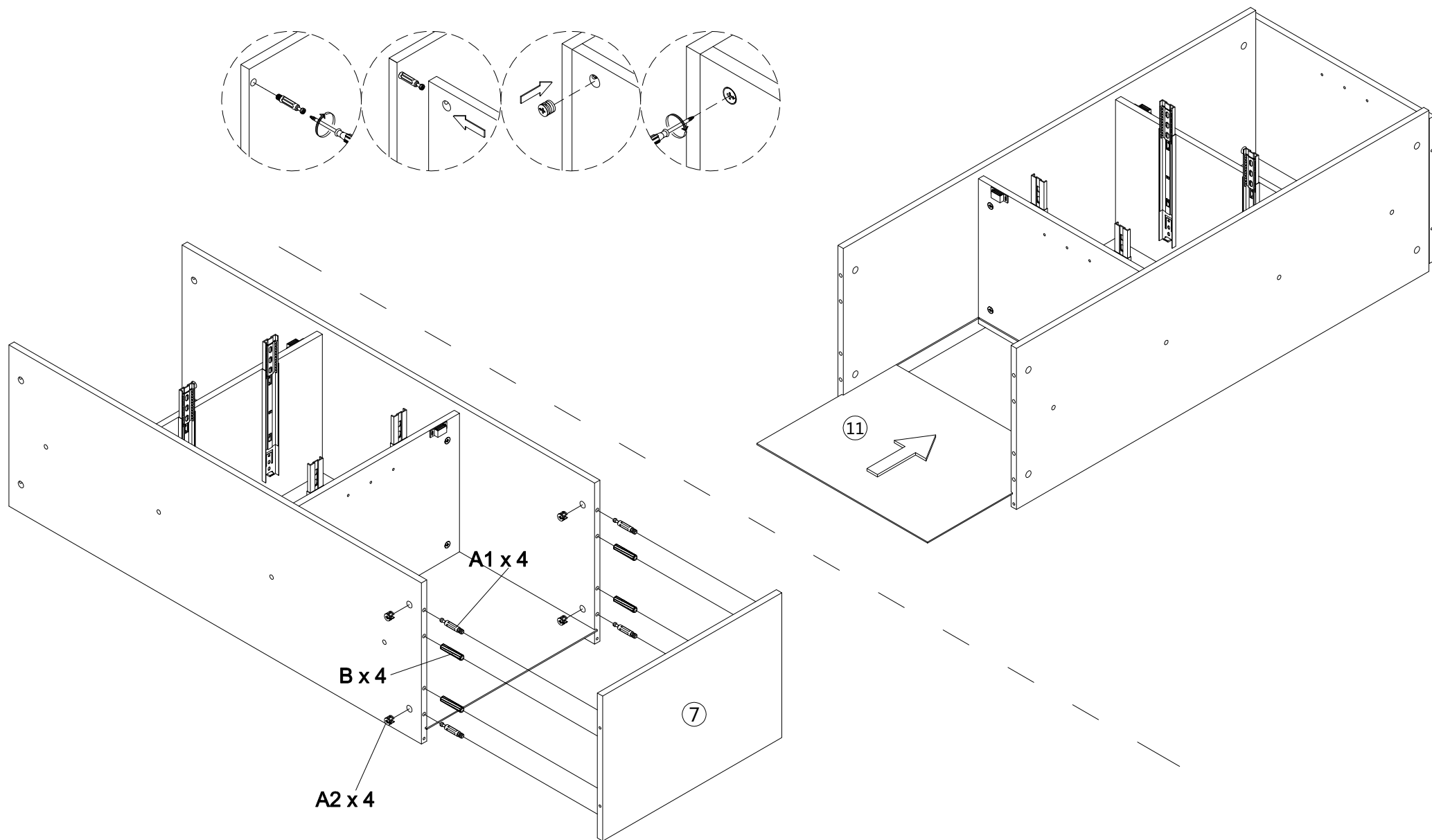
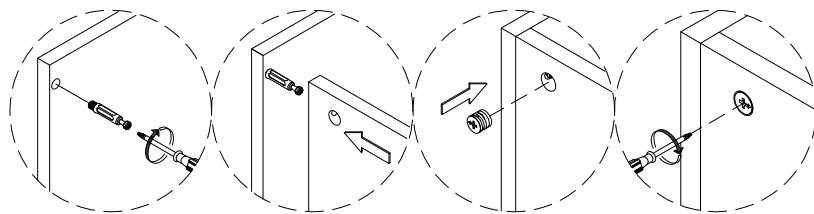
Step 3

A x 4 B x 4



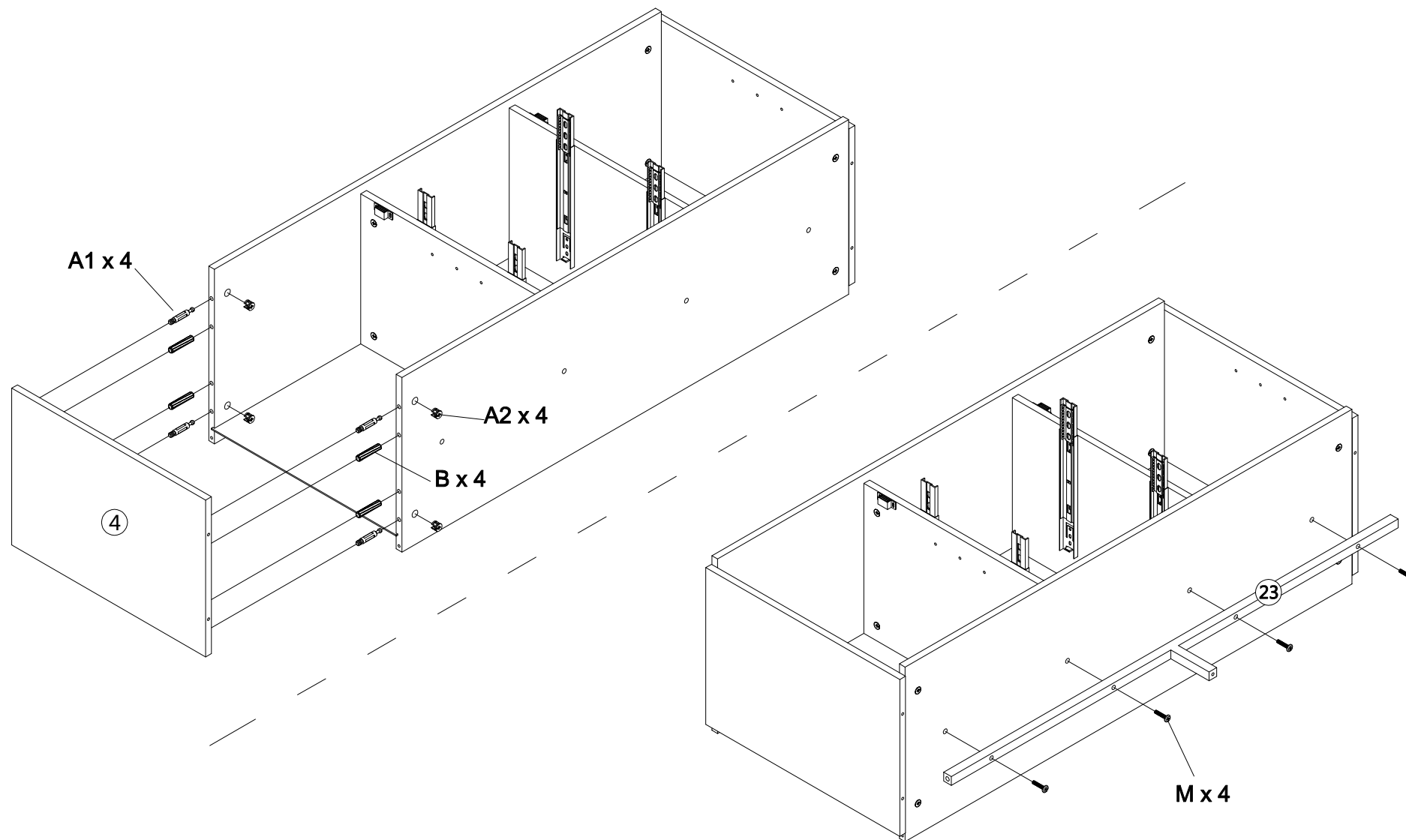
Step 4

A x 4 B x 4



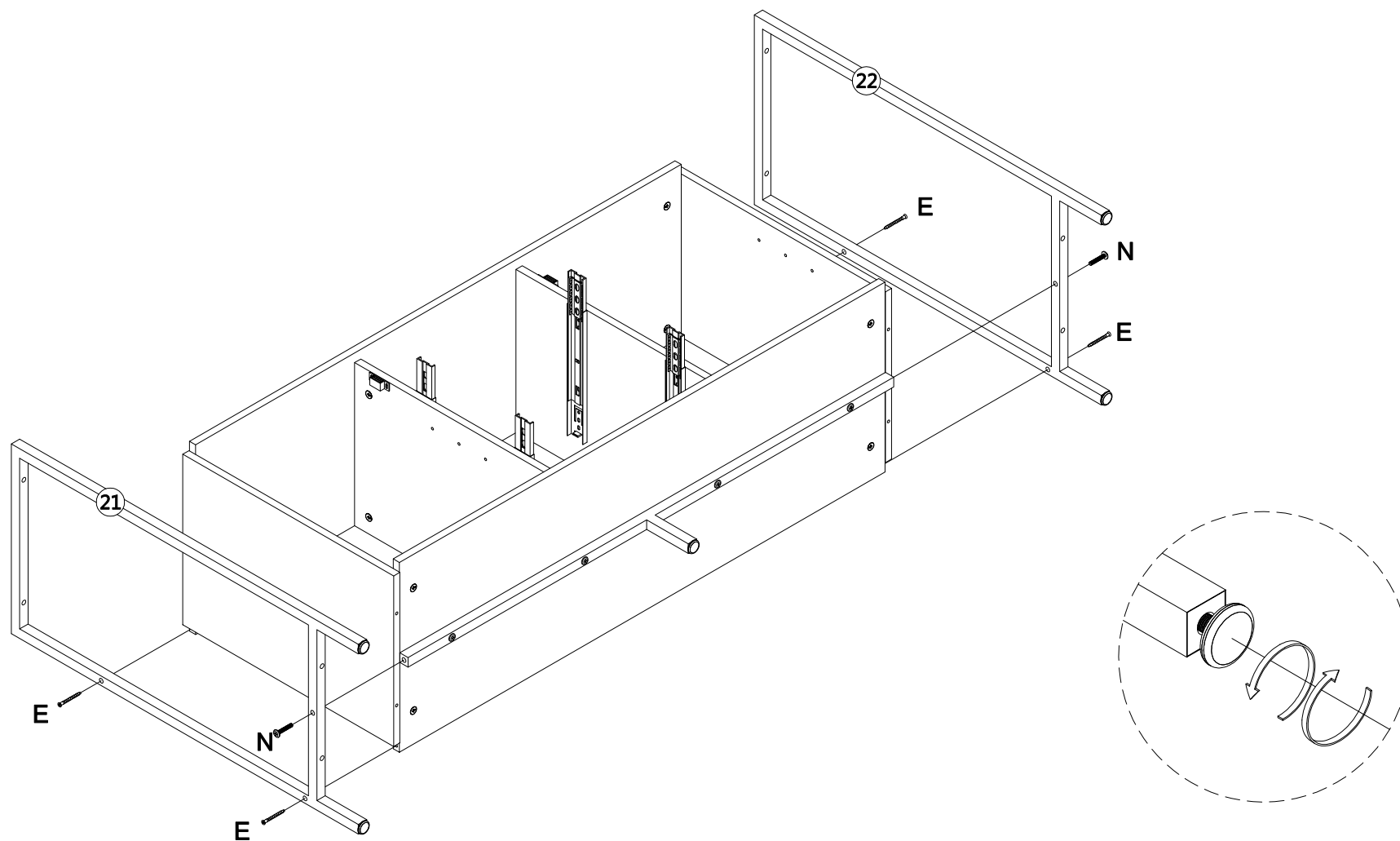
Step 5

A x 4 B x 4 M x 4



Step 6

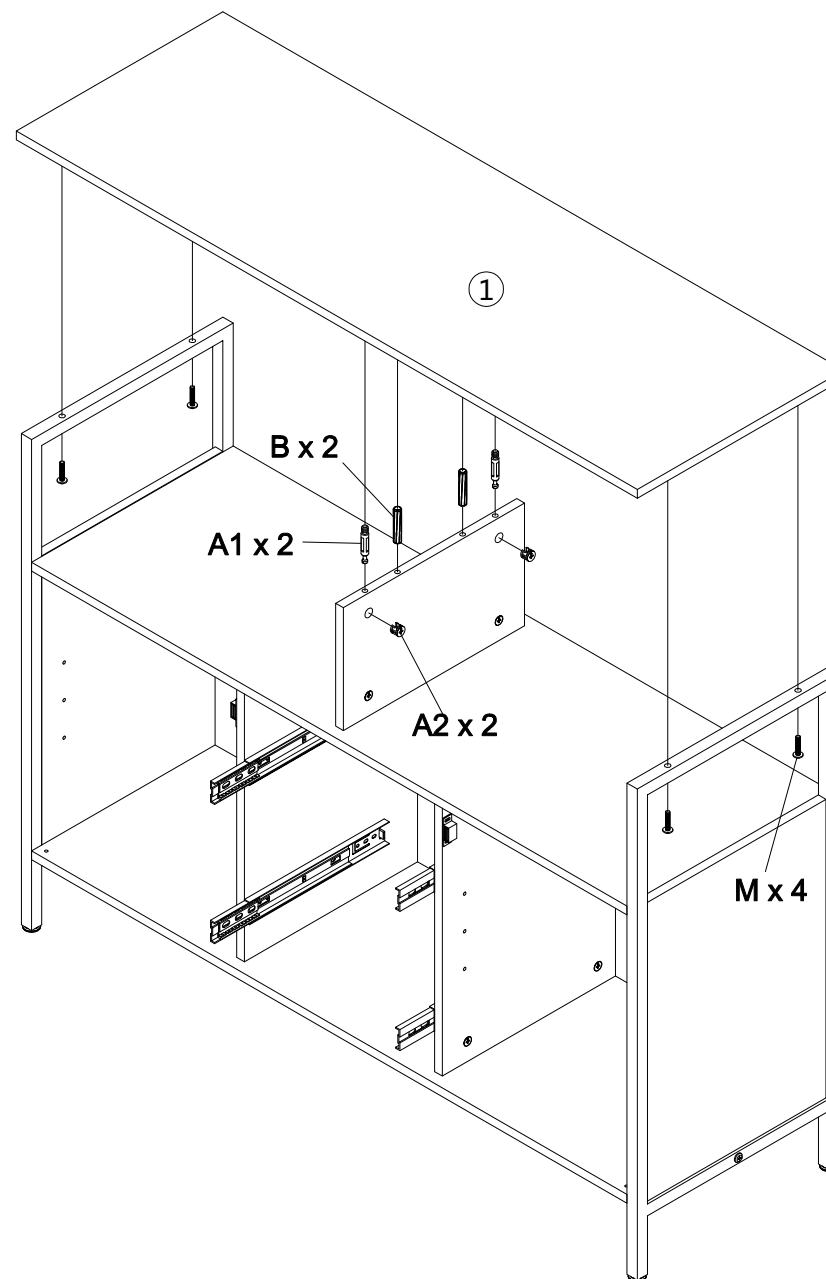
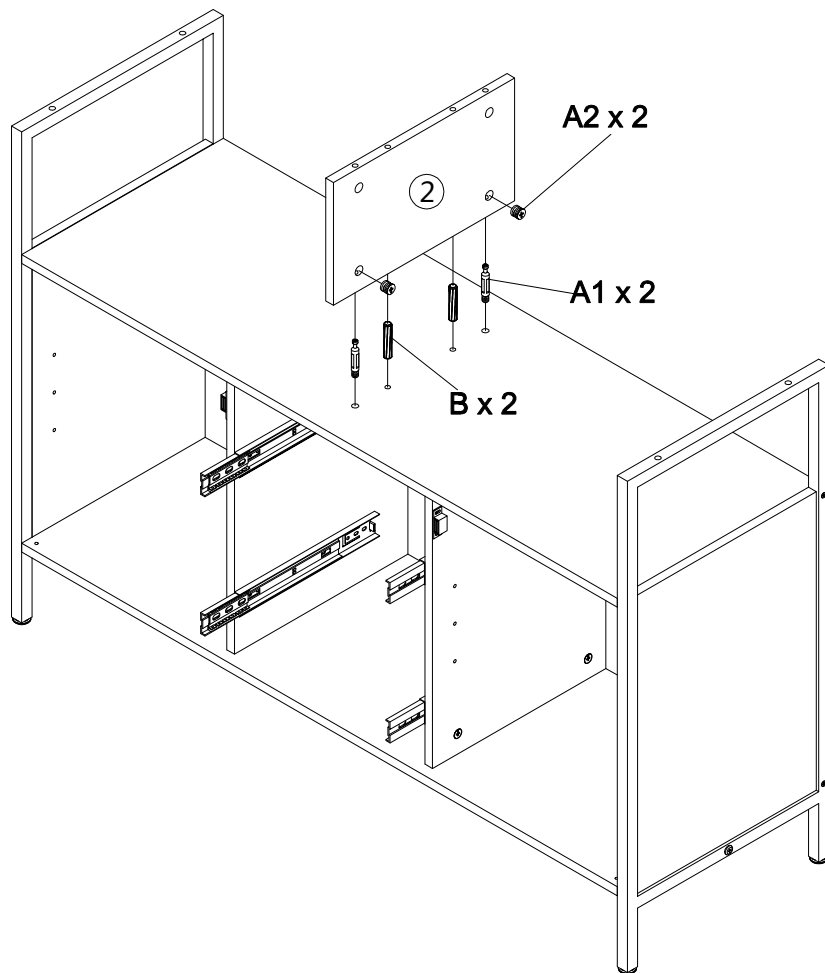
E x 8 N x 2



After installation, adjust here to make the cabinet more stable.

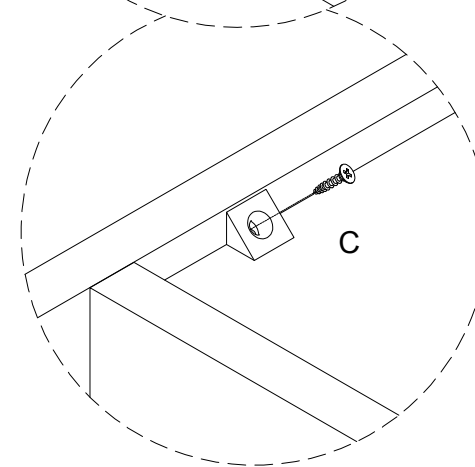
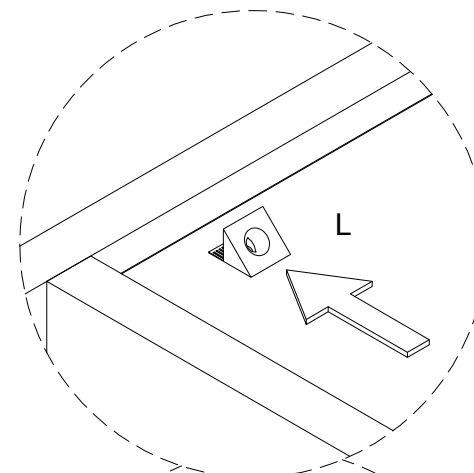
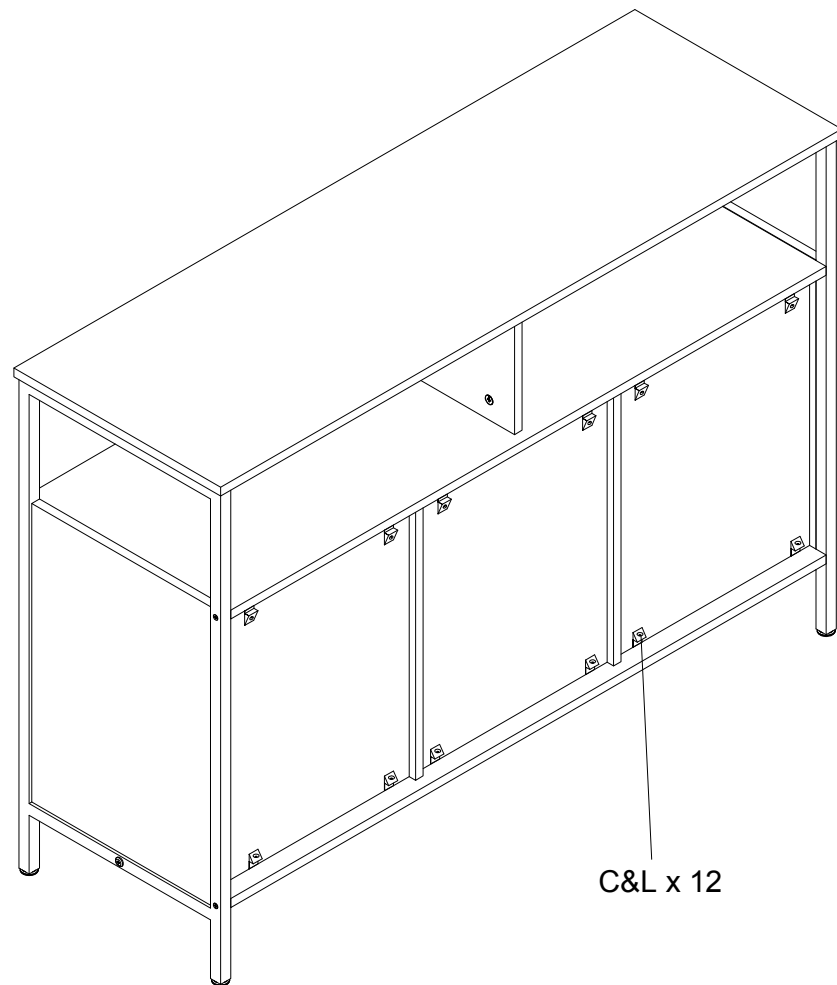
Step 7

A x 4 B x 4 M x 4



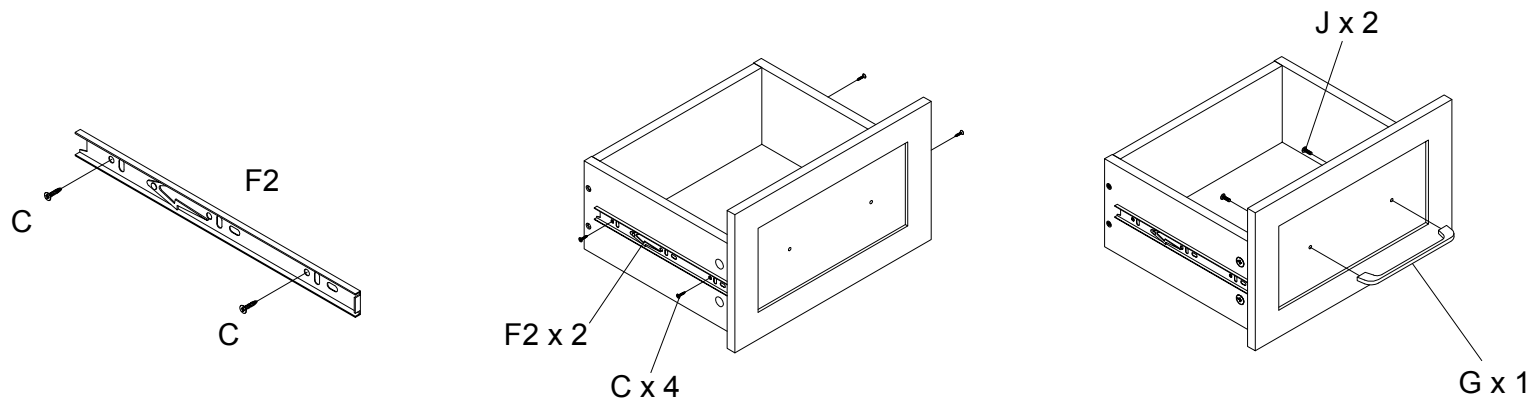
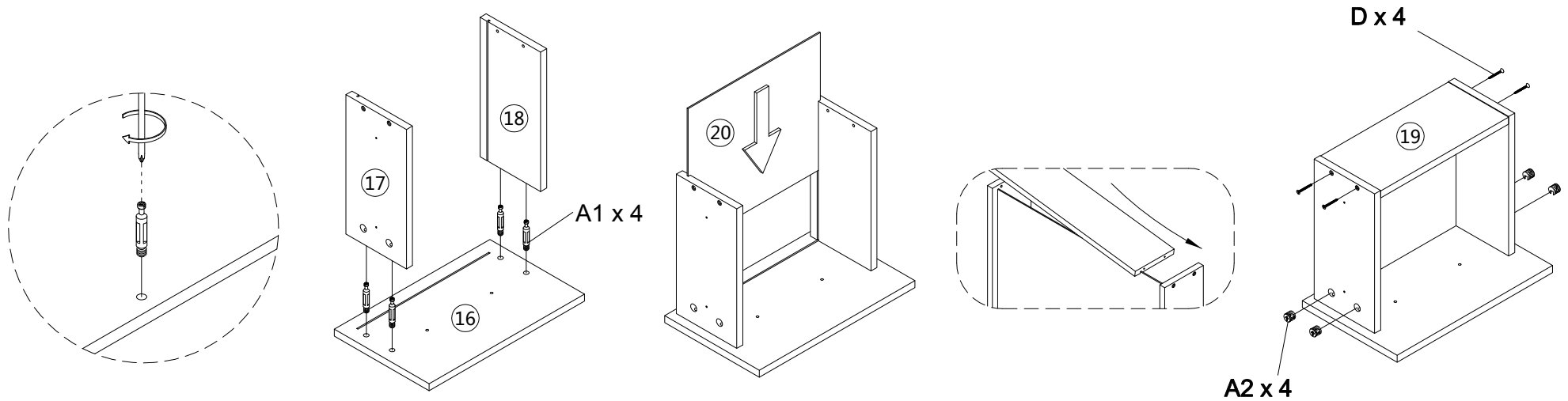
Step 8

C x 12 L x 12



Step 9

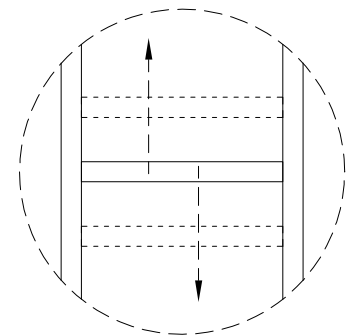
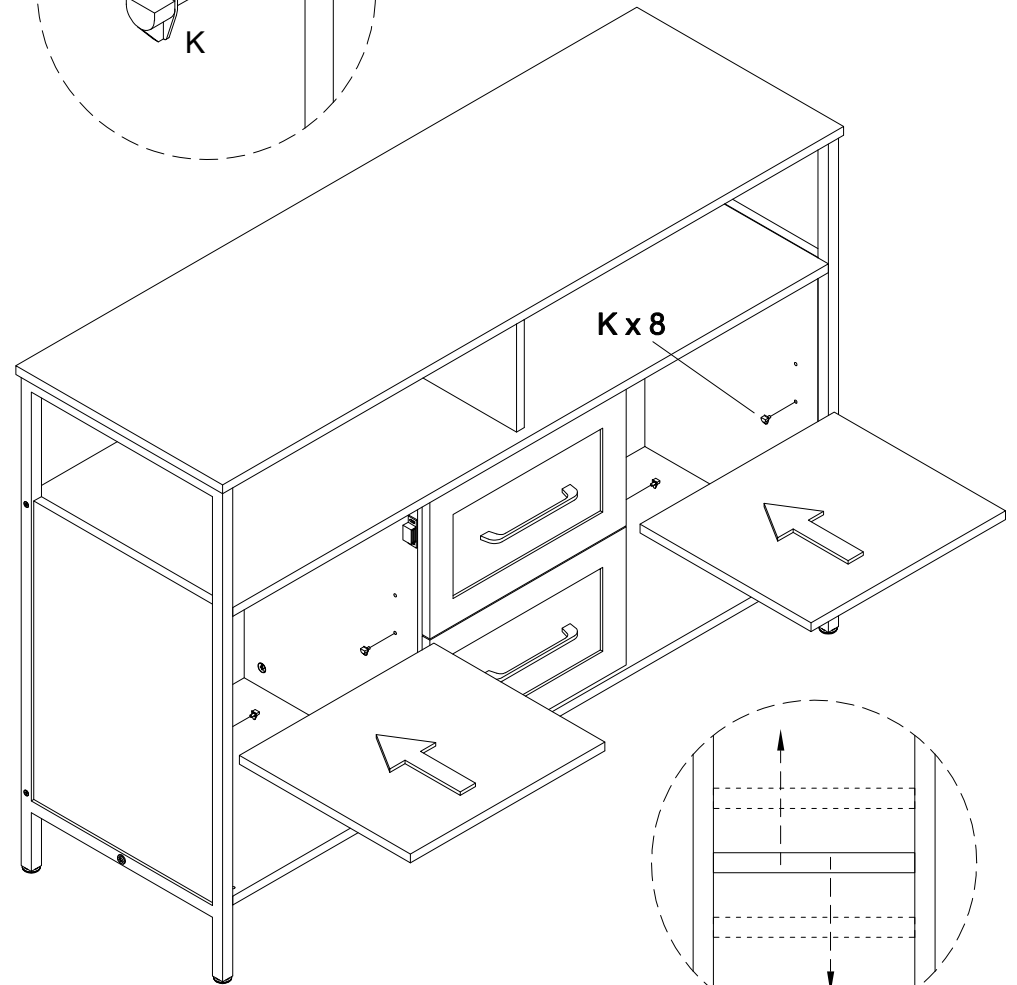
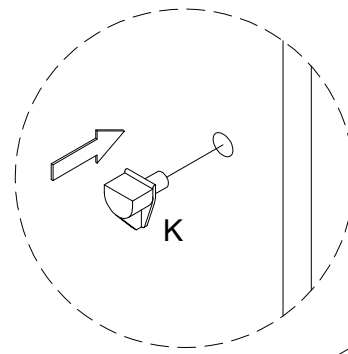
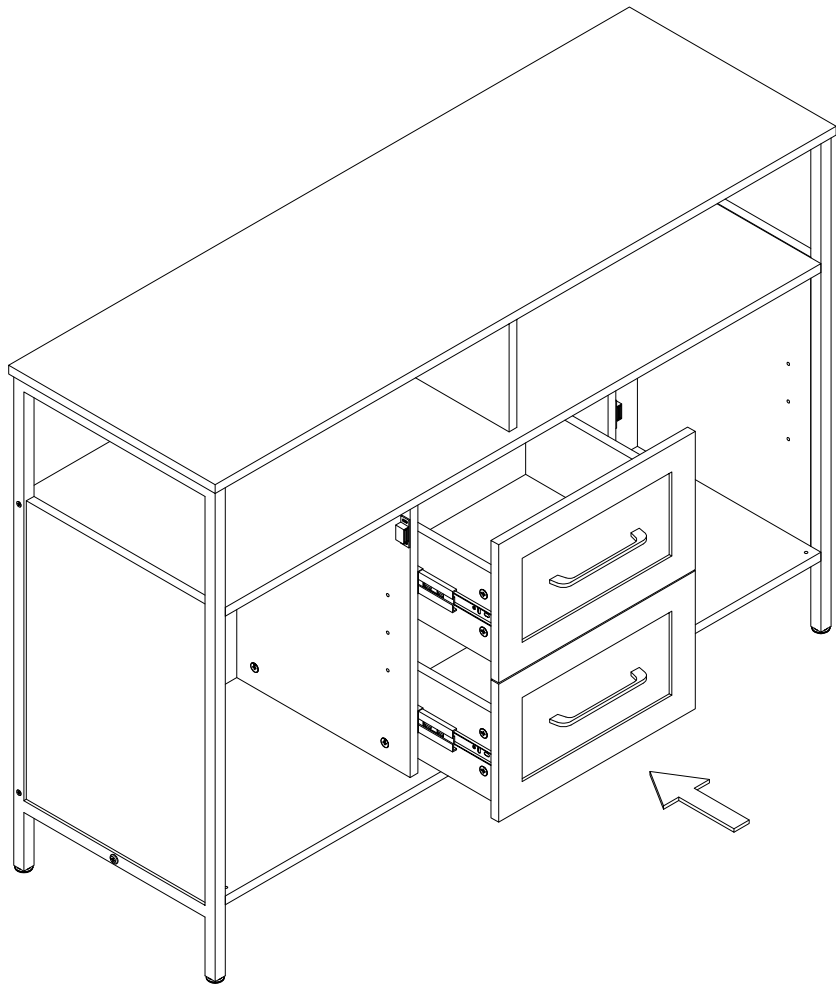
A x 8 C x 8 D x 8 F2 x 4 G x 2 J x 4



x 2

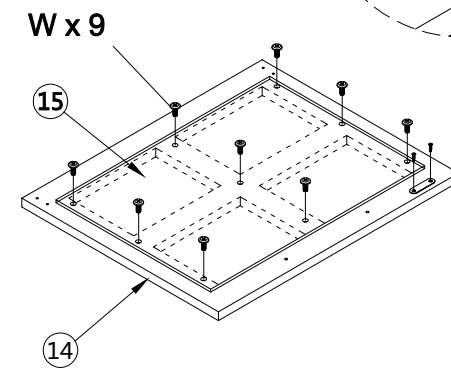
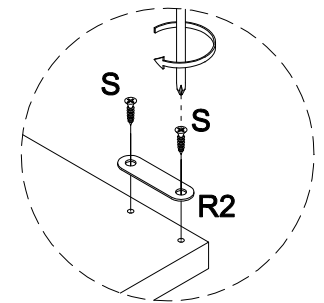
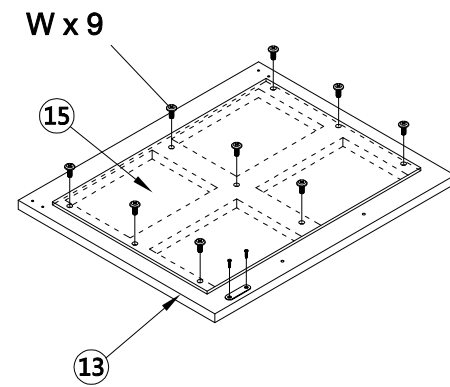
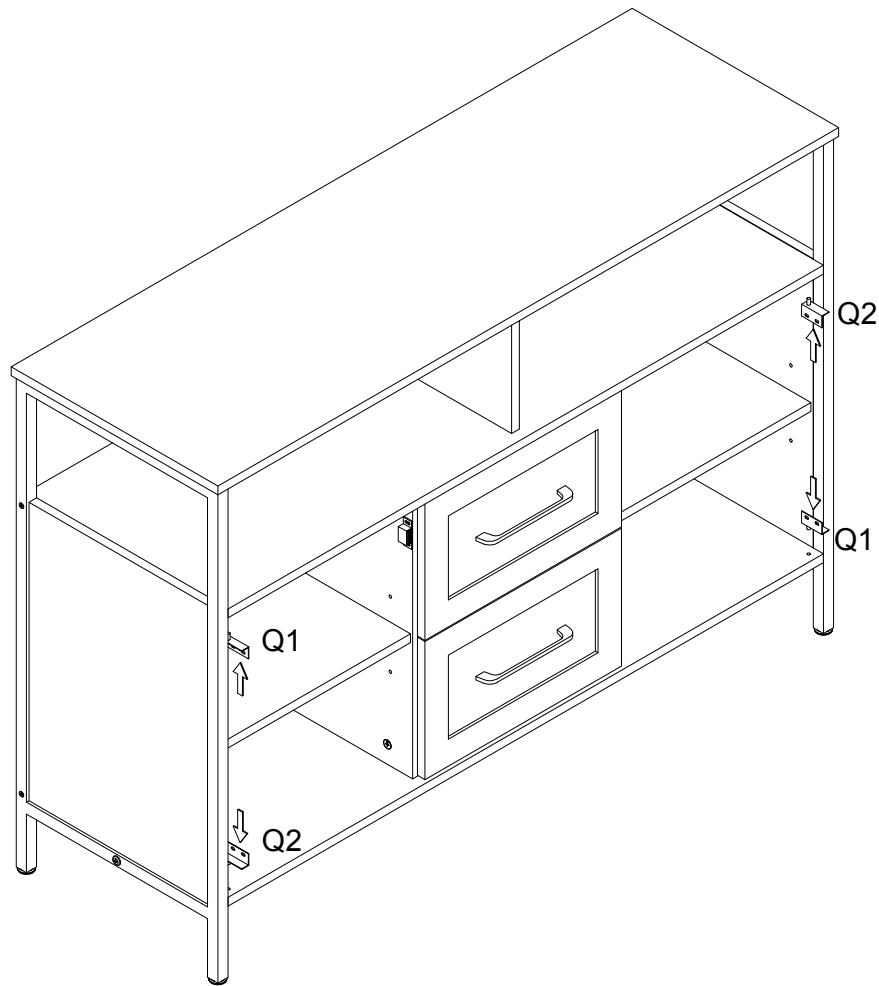
Step 10

K x 8



Step 11

Q1 x 2 Q2 x 2 R2 x 2 S x 4 W x 18



Step 12

C x 8 G x 2 H x 4

