

## Chrome Sculptural Table Lamp

---



---

### LIGHT SOURCE DATA

- 60W Max B22 BC (required)
- Lamp direction - Indirect
- Lamp shape - Standard
- Non-dimmable
- Energy range: A++, A+, A, B, C, D, E

### DIMENSION DATA

- Height 485mm
- Diameter 280mm
  
- Weight 1.11kg

---

### SPECIFICATION

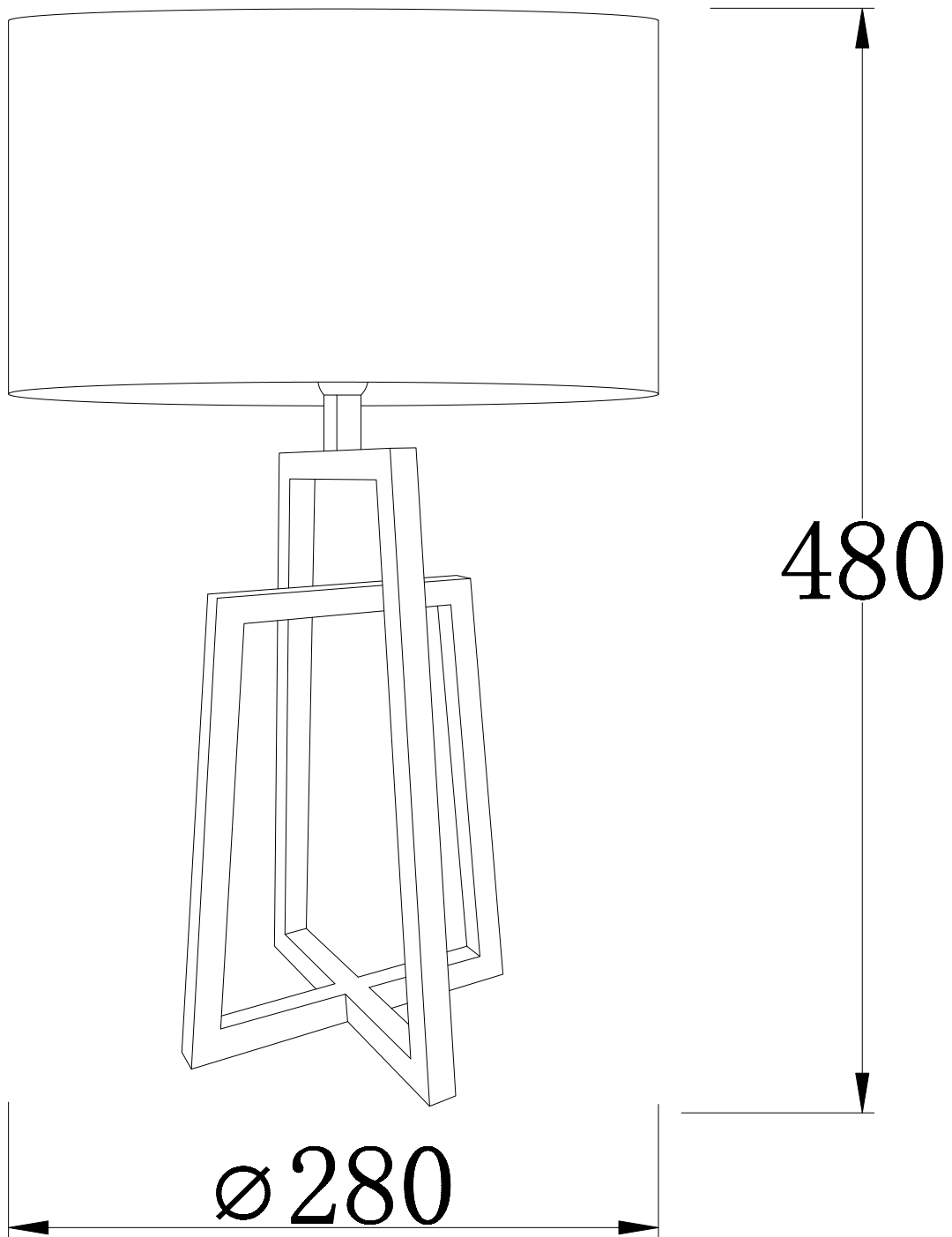
- Manufacturer warranty for 2 years from date of purchase
- Polished chrome plate and textured silver cotton
- IP20
- Lampholder On/Off Switch
- Class II - Double Insulated, No Earth
- 240V
- Assembly required? No
- CE Marking, Energy Efficient, Energy Saving

---

### CERTIFICATION



Chrome Sculptural Table Lamp



CERTIFICATION

