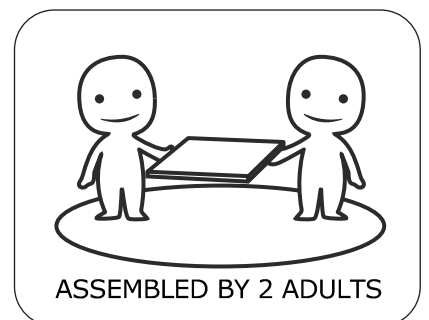
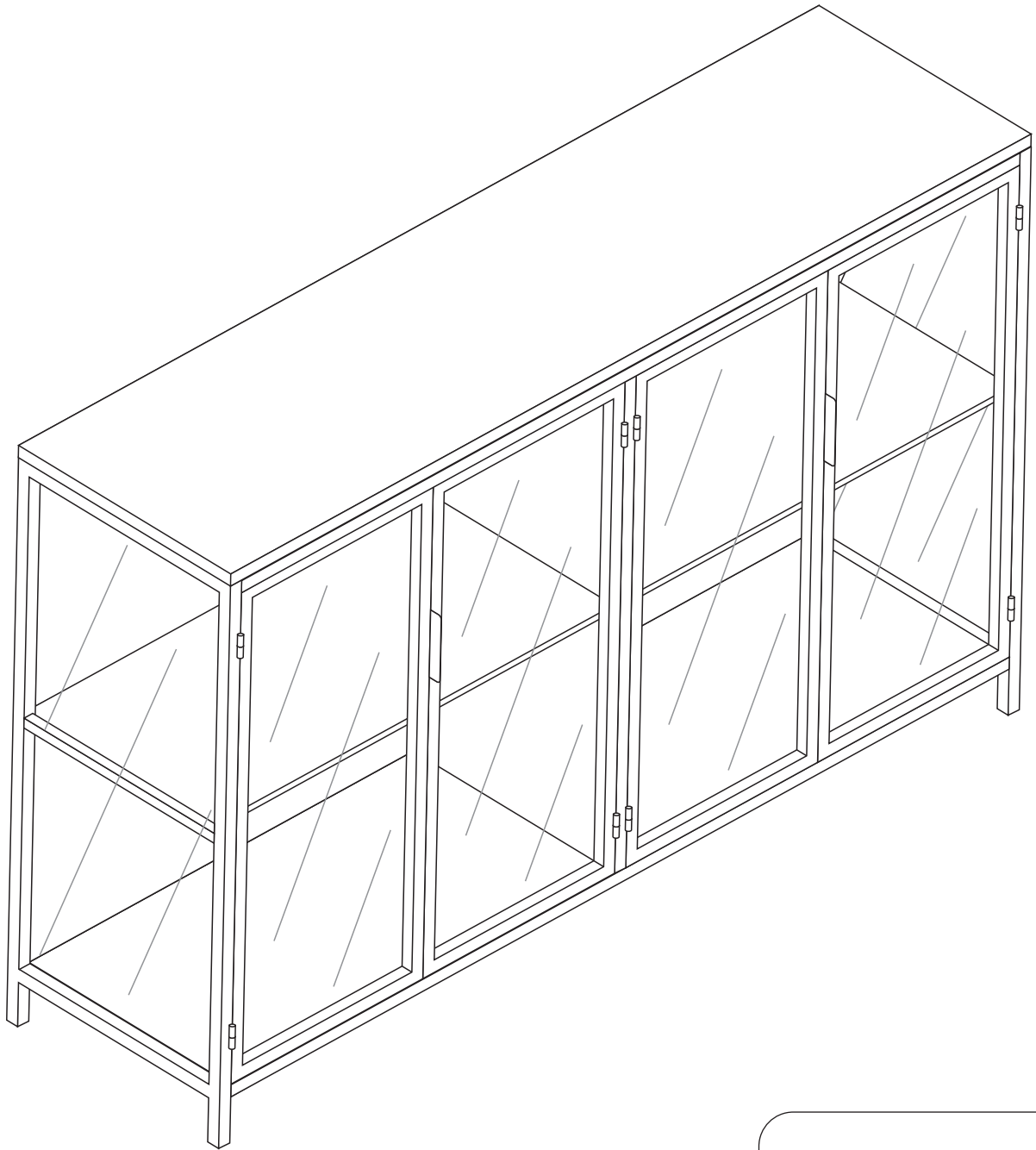


# Cabinet





### **IMPORTANT INFORMATION!**

please read the entire manual before starting to assemble and/or using this product. follow the manual thoroughly and keep it for further reference.



### **AVOID SCRATCHES!**

In order to avoid scratching this furniture should be assembled on a soft layer- could be a rug.



### **IMPROVE EFFICIENCY !**

Try to find a partner to install with you, which can speed up the installation efficiency and shorten the time.



### **ANTI-TOPPLE WARNING !**

Overturnd furniture can cause serious or fatal crush injuries. To prevent tipping over, be sure to use the wall attachment, if not included with this product. Please purchase the wall attachment that fit your wall. If unsure, seek professional advice. Please read and follow each step of the instructions carefully.

### **IMPORTANT !**

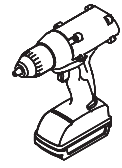
It is important that any product which is assembled using any kind of screw is re-tightened 2 weeks after assembly, and once every 3 months - in order to assure stability through-out the lifespan of the product.

For regular maintenance and cleaning of the product, for the frame, please use a rag dipped in neutral detergent to fully wipe it, and then dry it with a clean rag. For glass materials, wipe with a rag dampened with water glass cleaner, and then dry with a dry rag.

Do not use an electric screwdriver, and do not use too much force when installing, because the board is easy to break.



Please prepare the following tools

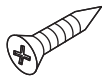


When installing, please carefully confirm whether each screw corresponds to the manual, accessories with similar shapes can be distinguished by size

A x 8



B x 52



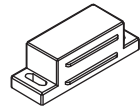
M4 x 14 mm

C x 24

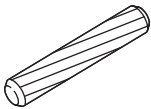


M6 x 15 mm

D x 2

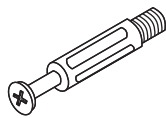


E x 8



M6 x 30 mm

F x 4



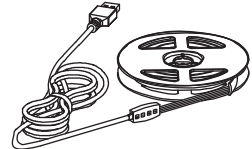
M6 x 35 mm

G x 4

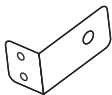


M10 x 15 mm

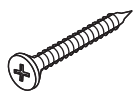
H x 1



J x 2

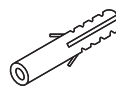


K x 2



M4 x 40 mm

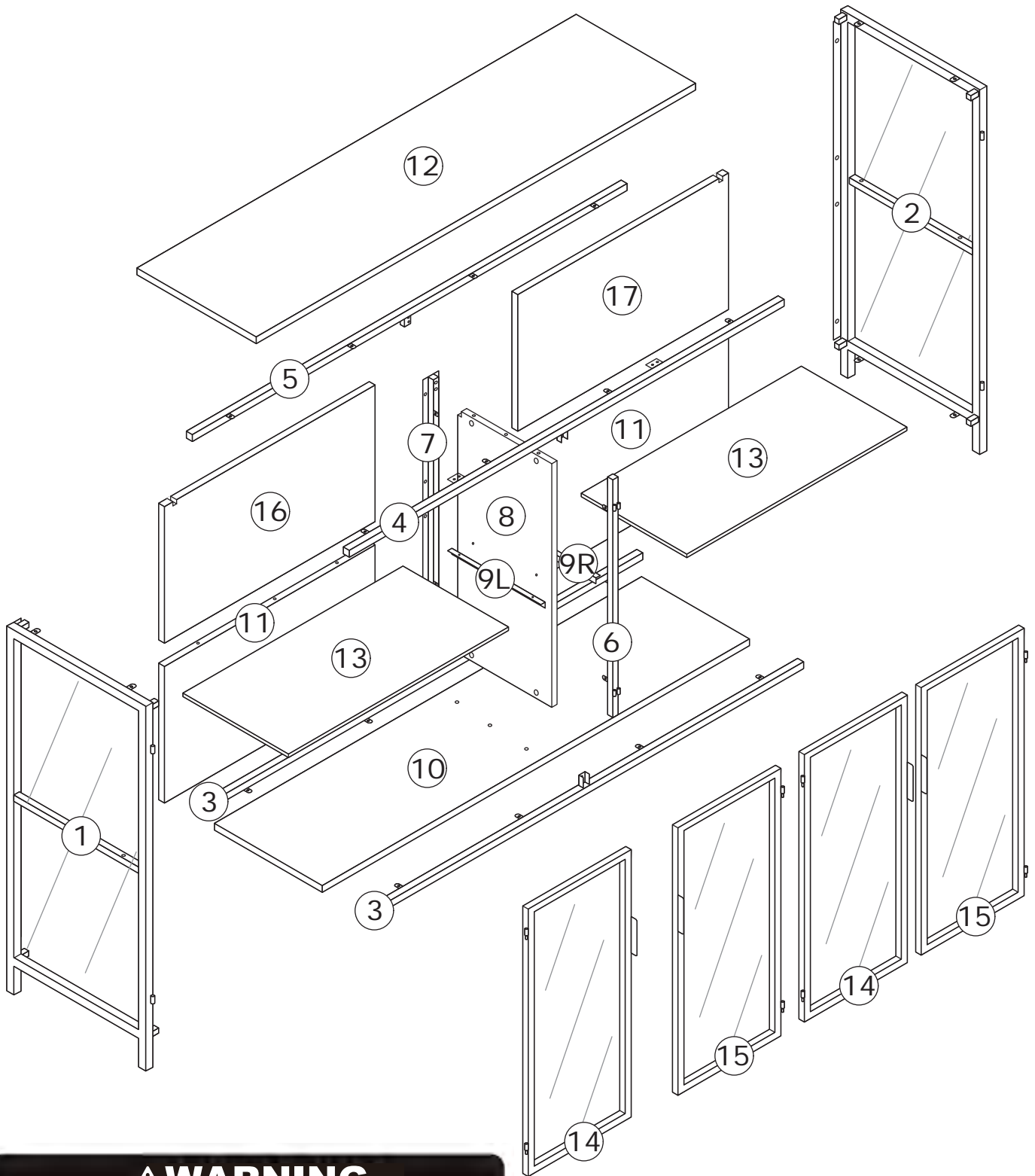
L x 2



M x 4



M3 x 10 mm



## ⚠ WARNING



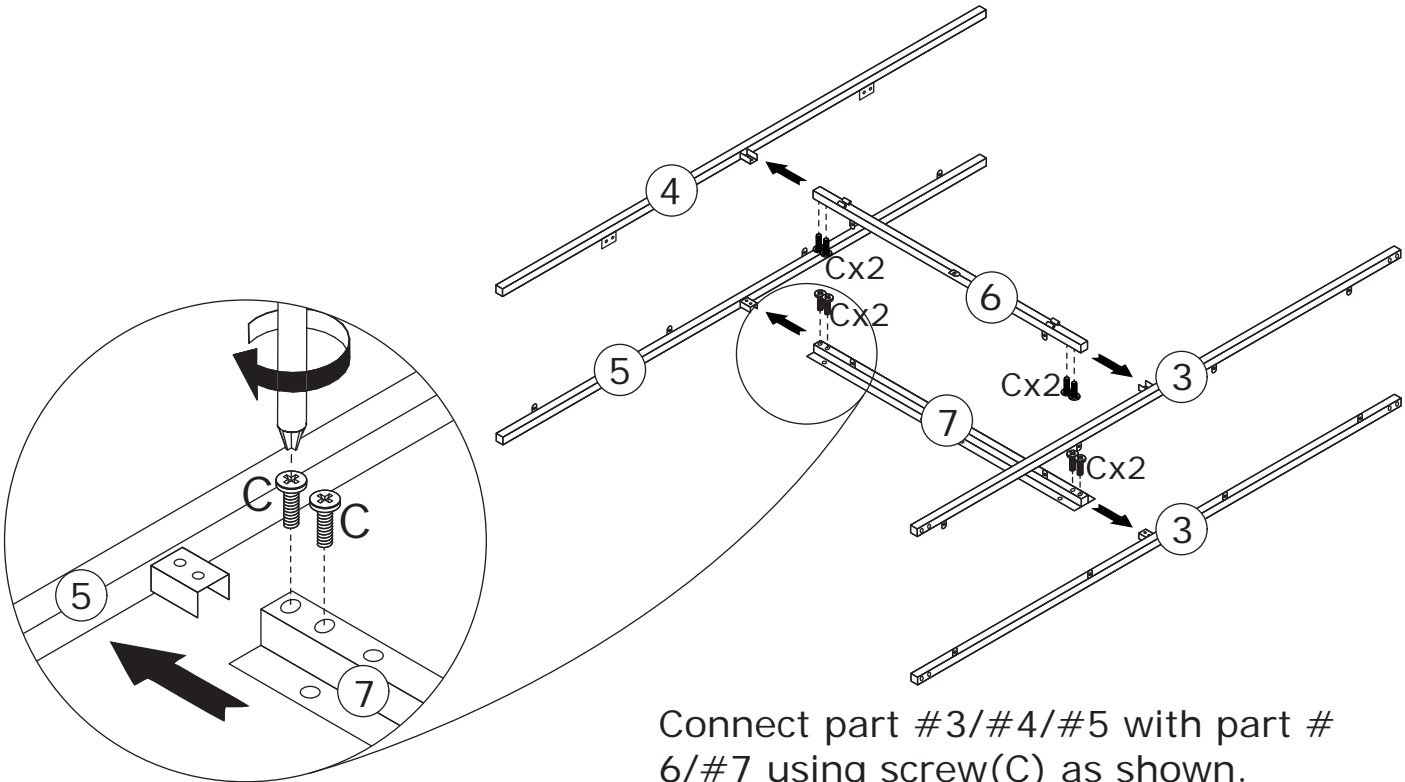
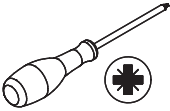
**Children have died from furniture tipover. To reduce the risk of furniture tipover:**

- ALWAYS install tipover restraint provided.
- NEVER put a TV on this product.
- NEVER allow children to stand, climb or hang on drawers, doors, or shelves.
- NEVER open more than one drawer at a time.
- Place heaviest items in the lowest drawers.

*This is a permanent label.  
Do not remove!*

1

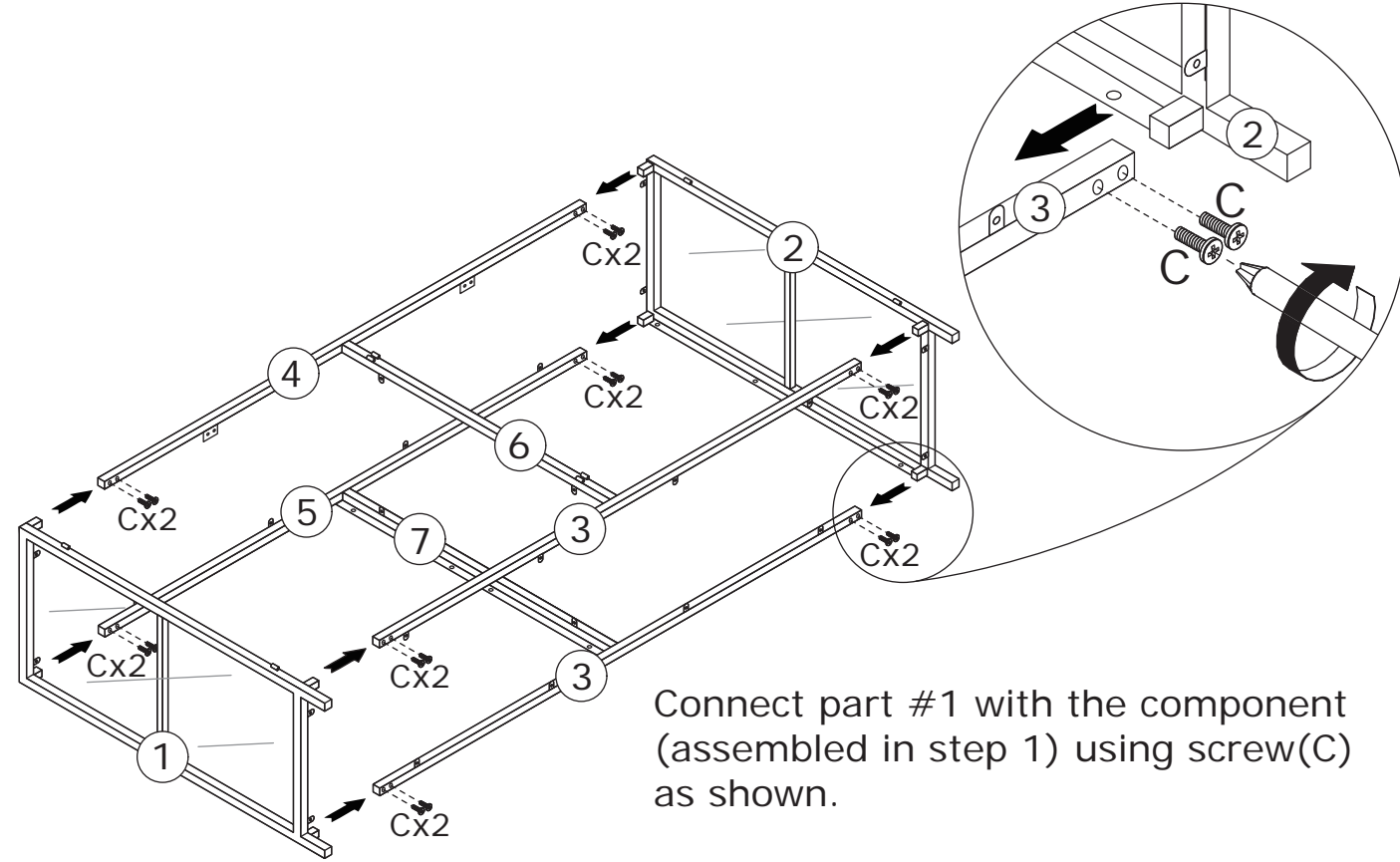
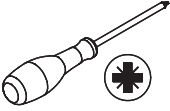
C x 8  
M6 x 15 mm



Connect part #3/#4/#5 with part #6/#7 using screw(C) as shown.

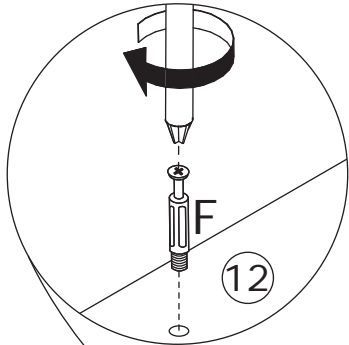
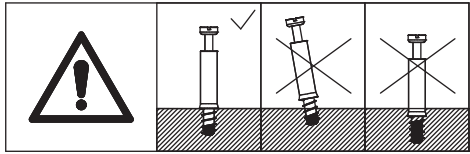
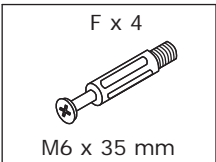
2

C x 16  
M6 x 15 mm

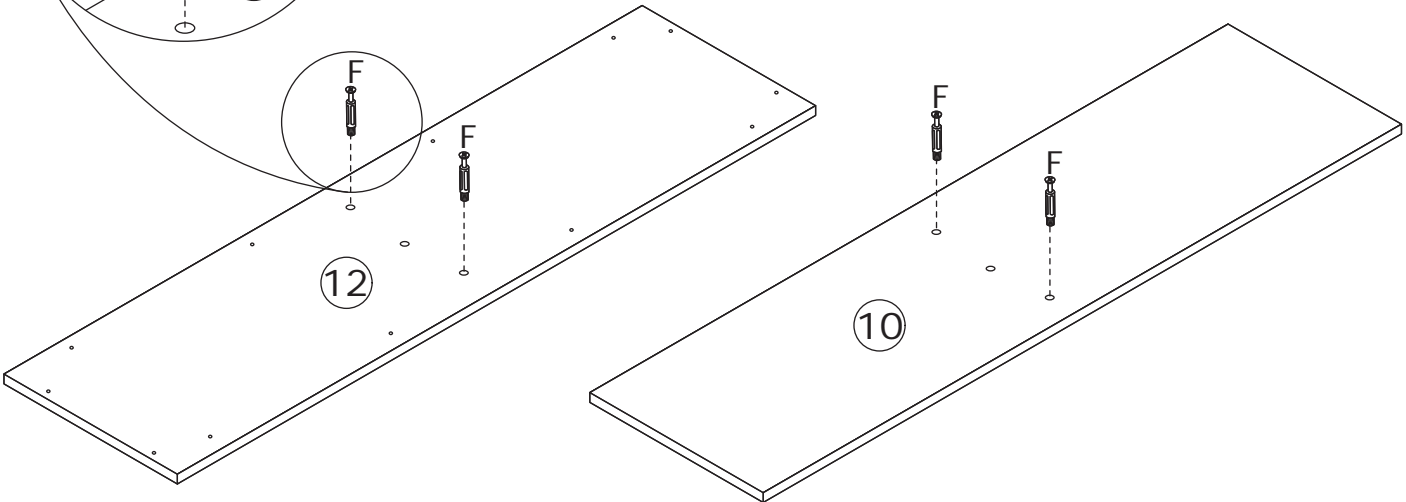


Connect part #1 with the component (assembled in step 1) using screw(C) as shown.

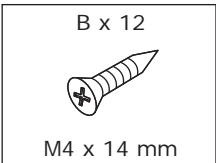
3



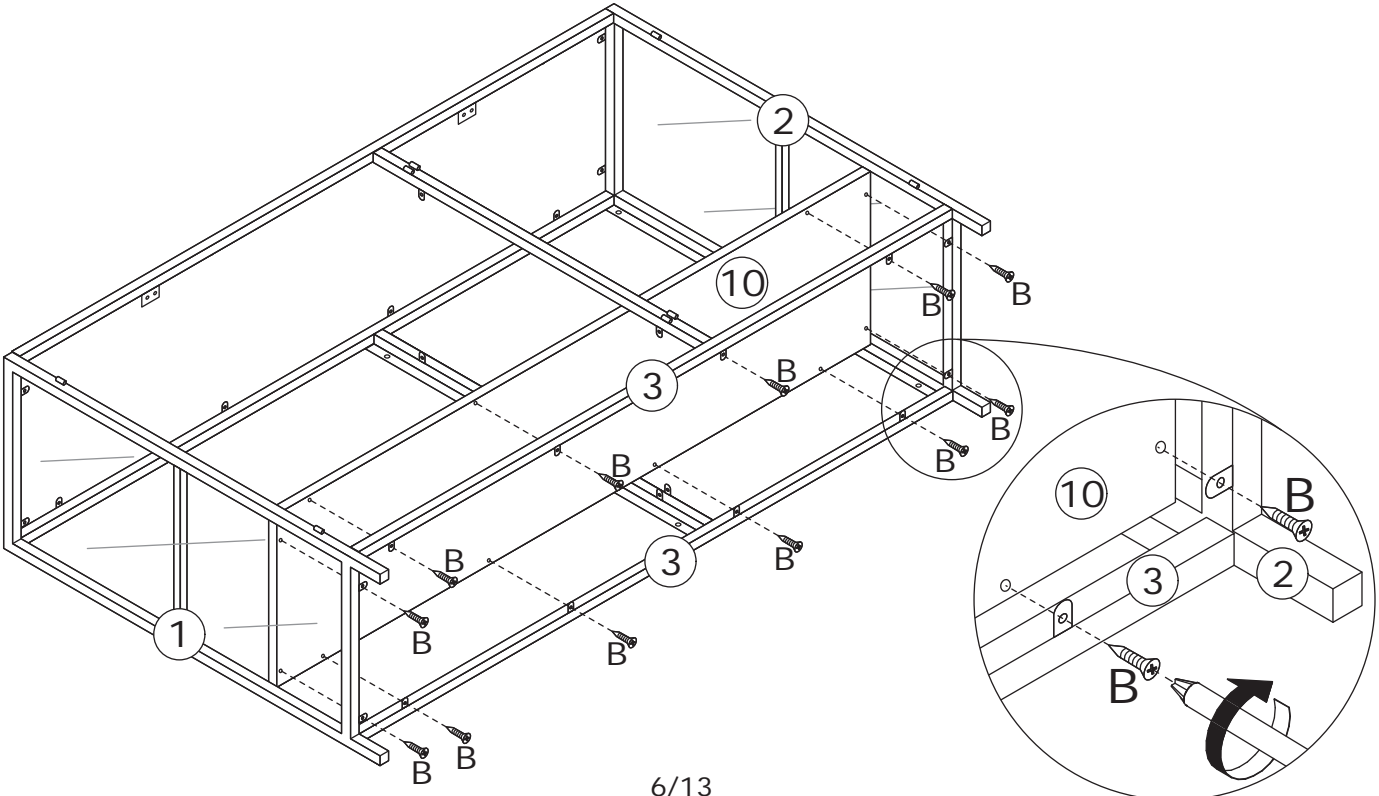
Insert quickfit screw(F) into corresponding holes in plate #10/#12 with a screwdriver as shown.



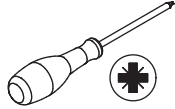
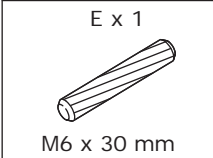
4



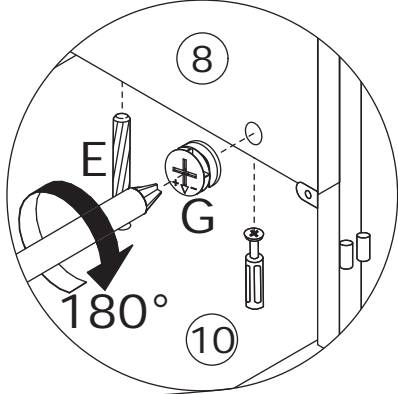
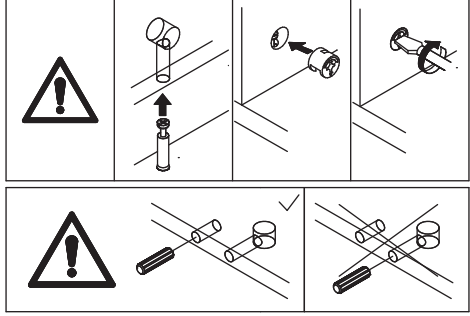
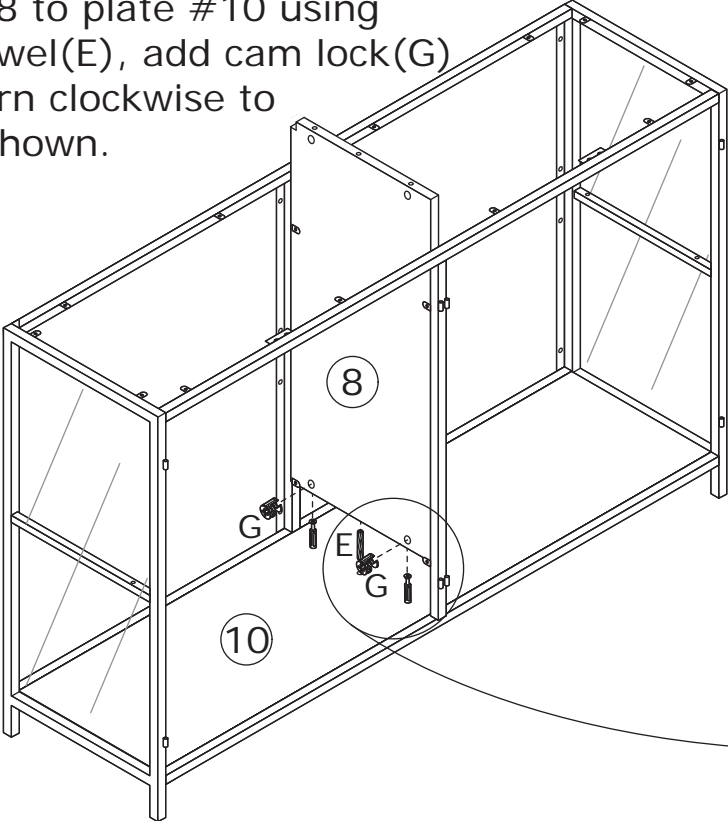
Fix the plate #10 to part #1/#2/#3 using screw(B) as shown.



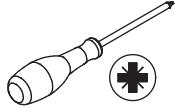
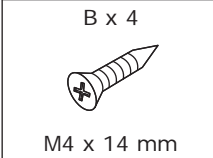
5



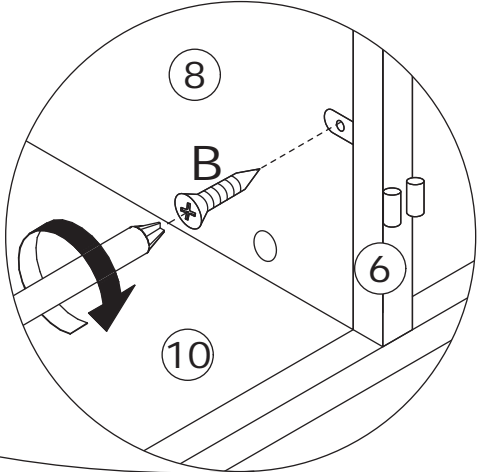
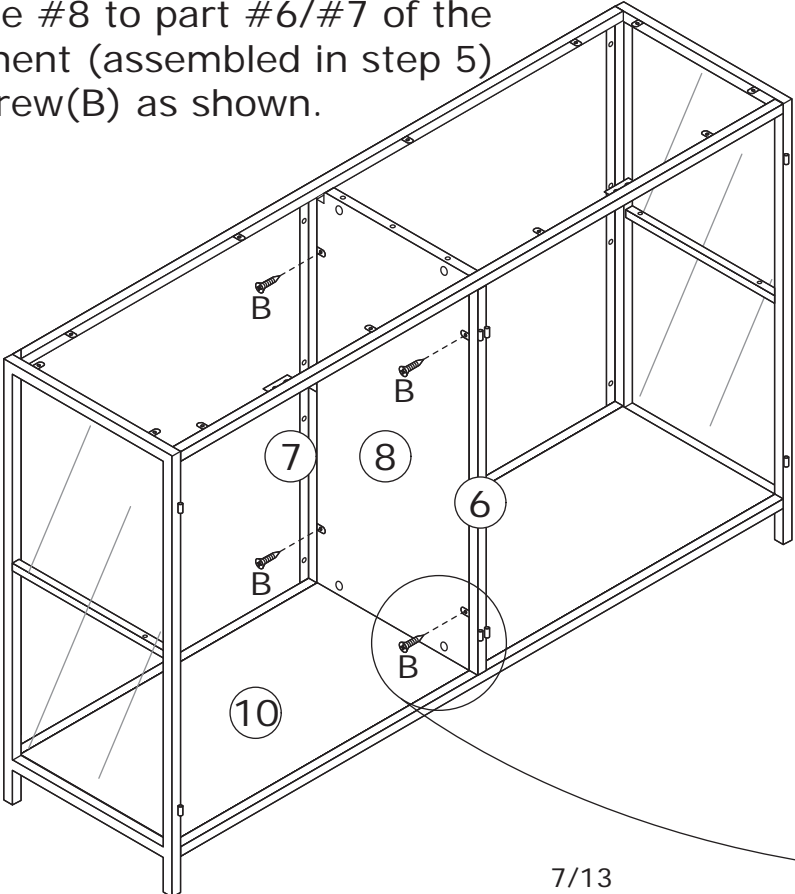
Fix plate #8 to plate #10 using wooden dowel(E), add cam lock(G) into and turn clockwise to tighten as shown.



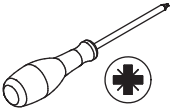
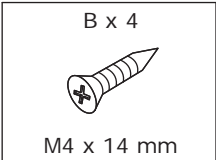
6



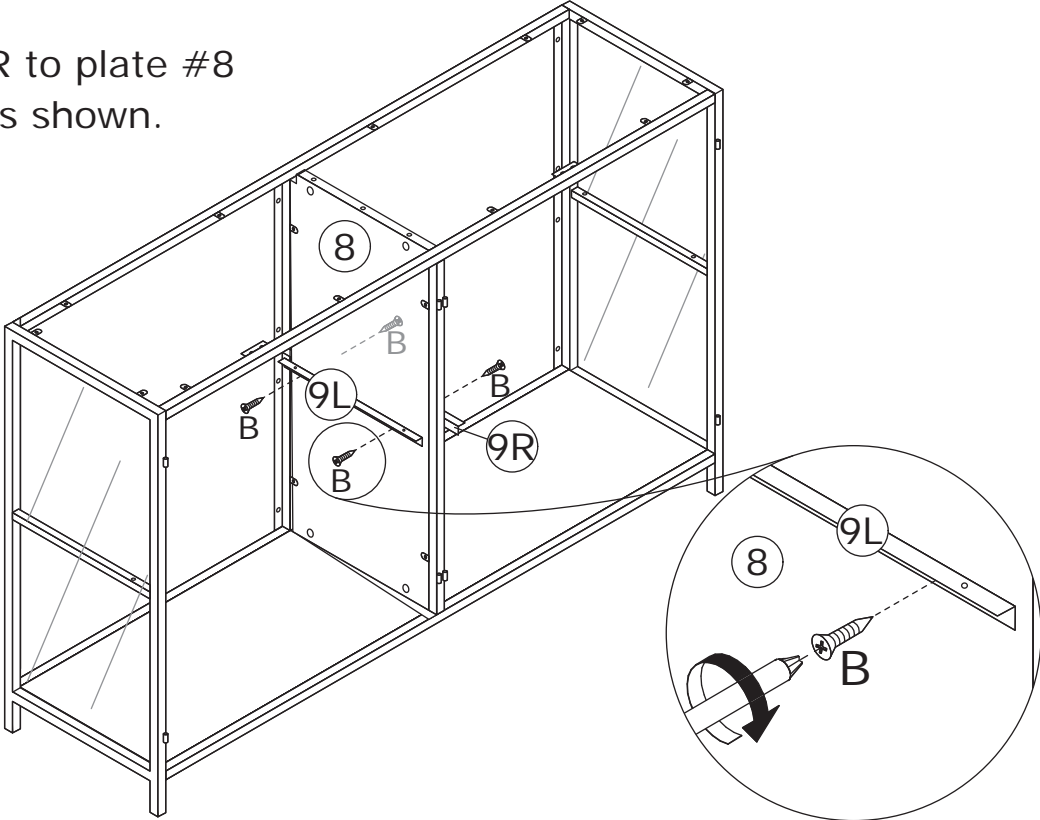
Fix plate #8 to part #6/#7 of the component (assembled in step 5) with screw(B) as shown.



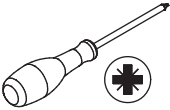
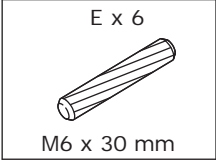
7



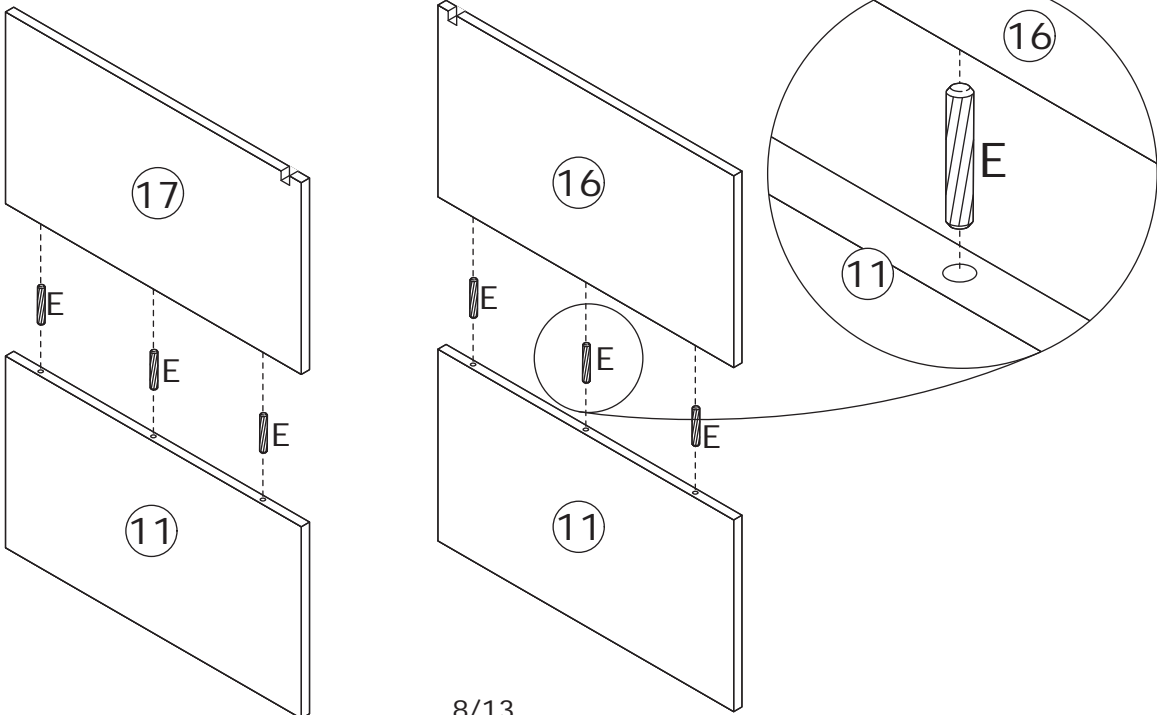
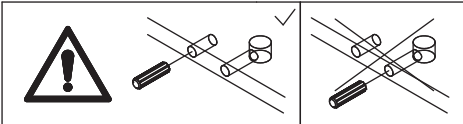
Fix part #9L/#9R to plate #8 using screw(B) as shown.



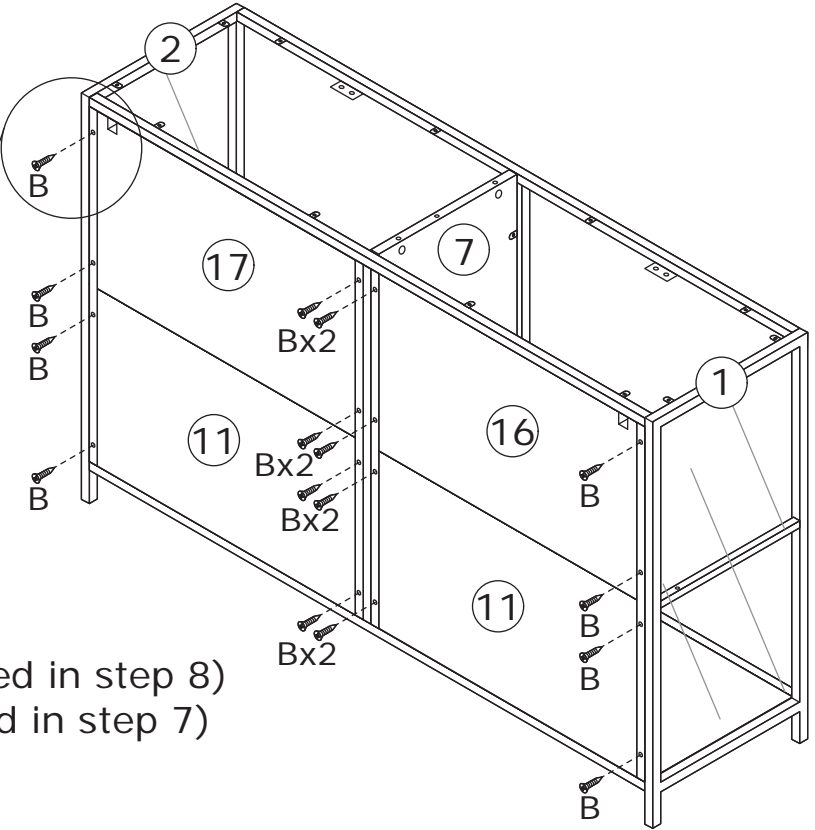
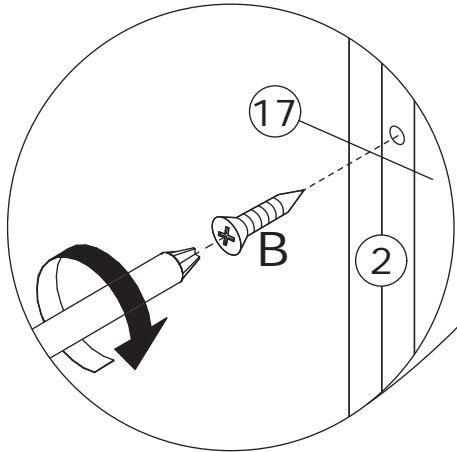
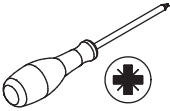
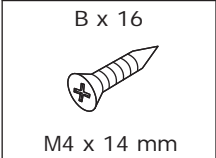
8



Using wooden dowel(E) to connect plate #11 #16 #17 as shown.

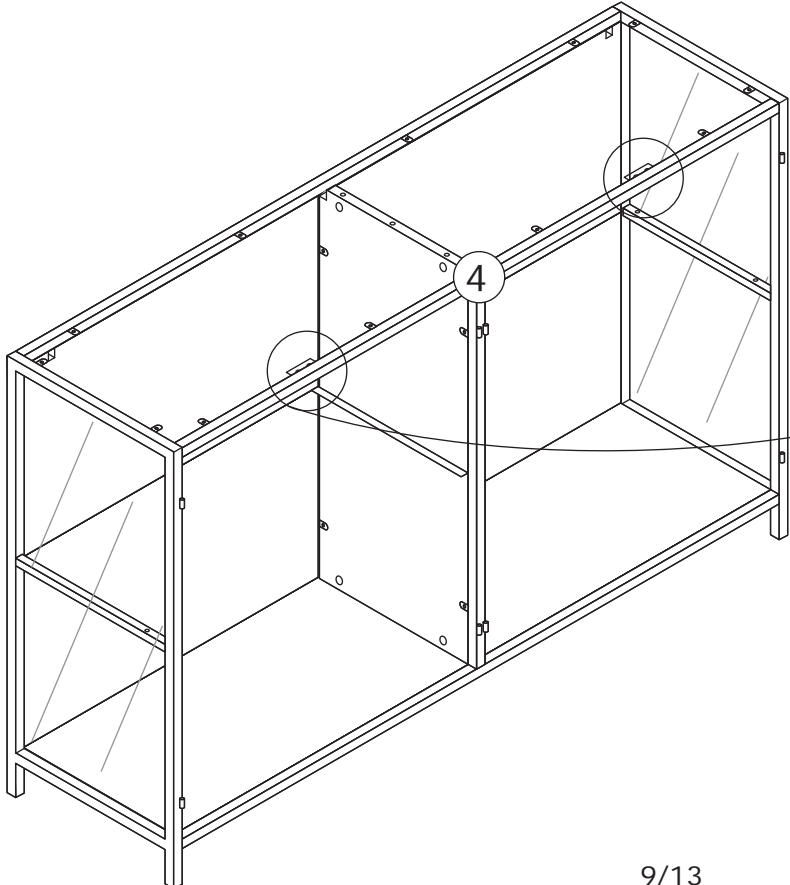
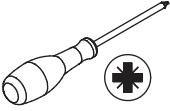
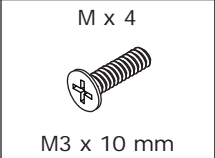
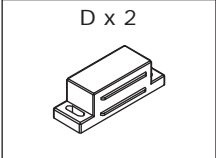


9

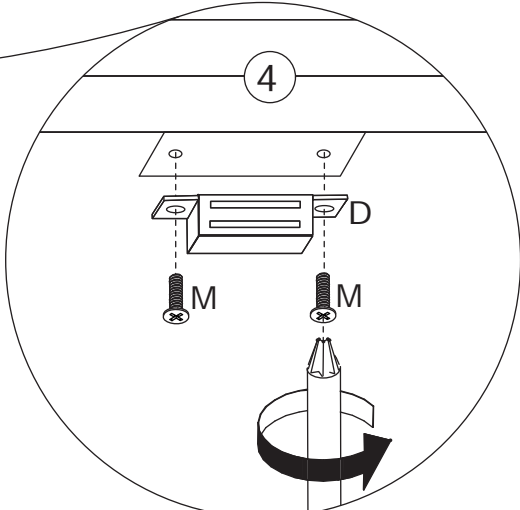


Fix the component (assembled in step 8) to the component (assembled in step 7) using screw(B) as shown.

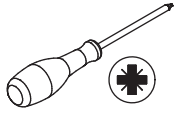
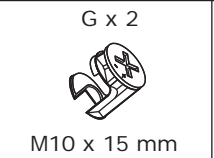
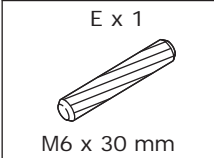
10



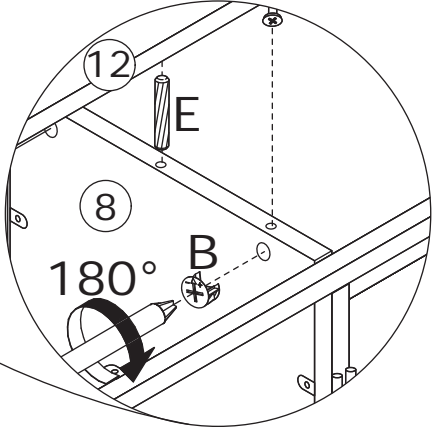
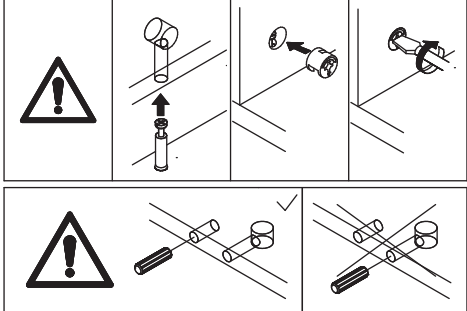
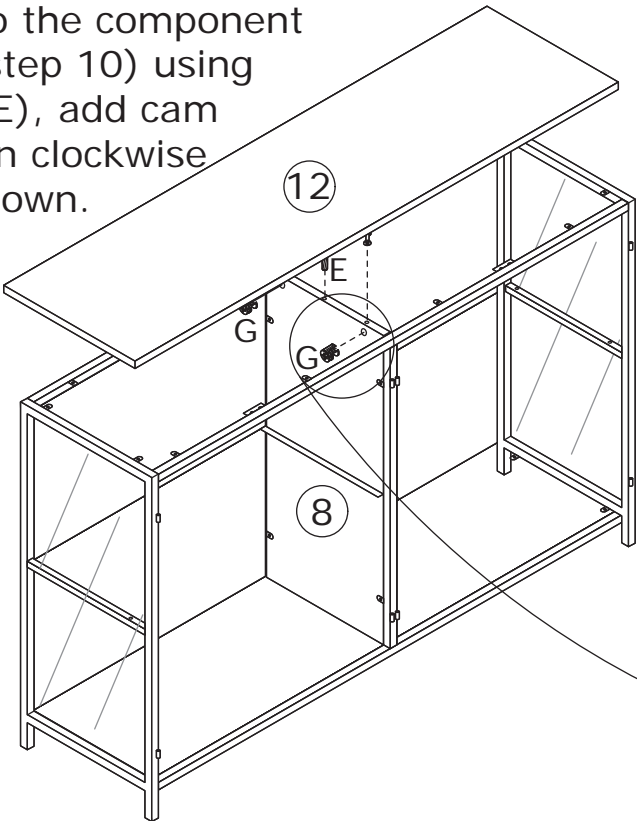
Fix part(D) to part #4 using screw(M) as shown.



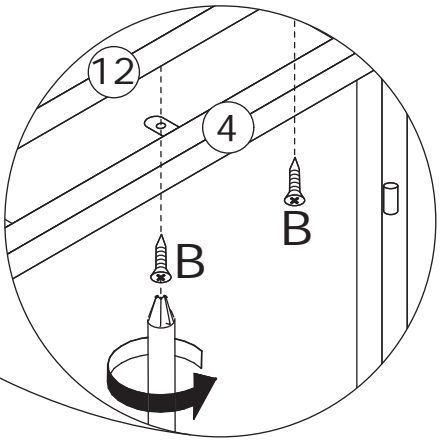
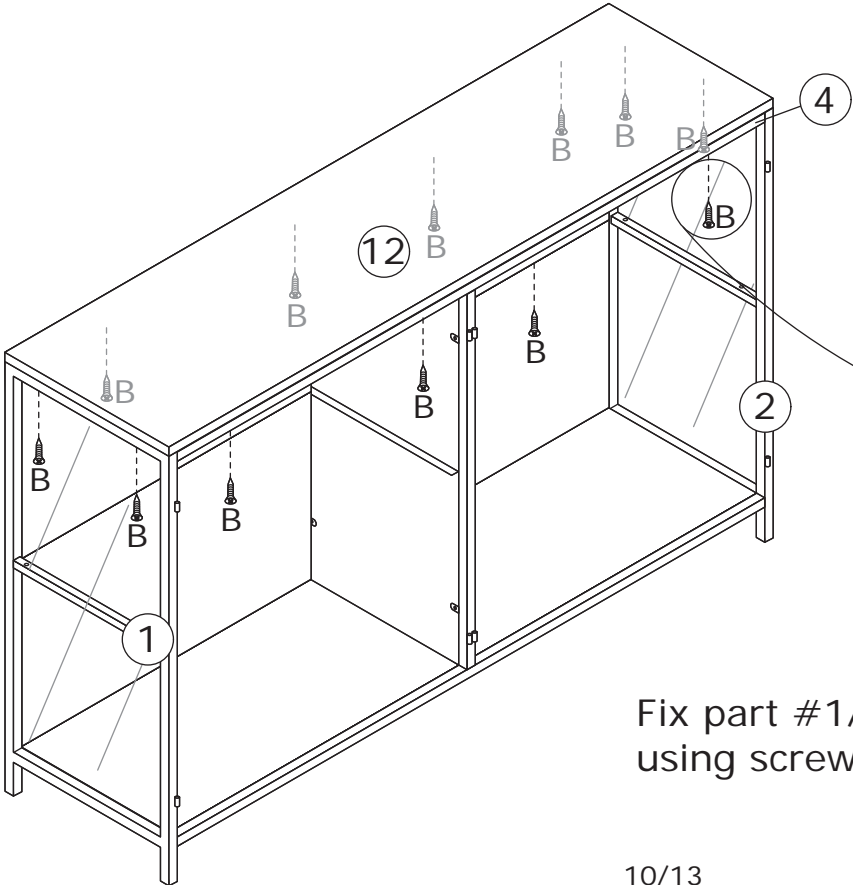
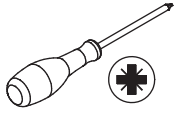
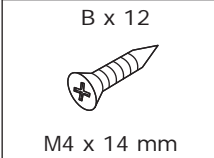
11



Fix plate #12 to the component (assembled in step 10) using wooden dowel(E), add cam lock(G) and turn clockwise to tighten as shown.

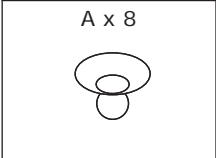


12

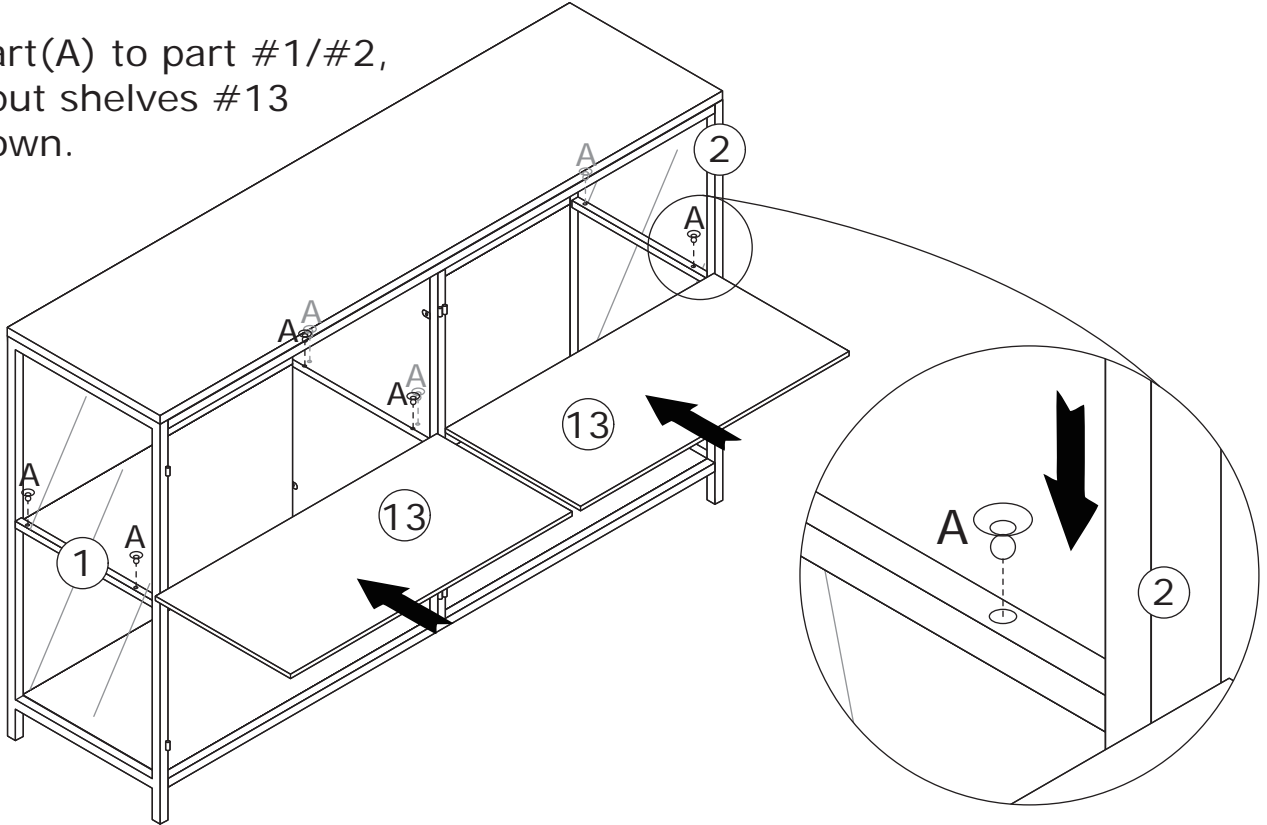


Fix part #1/#2/#4/#5 to plate #12 using screw(B) as shown.

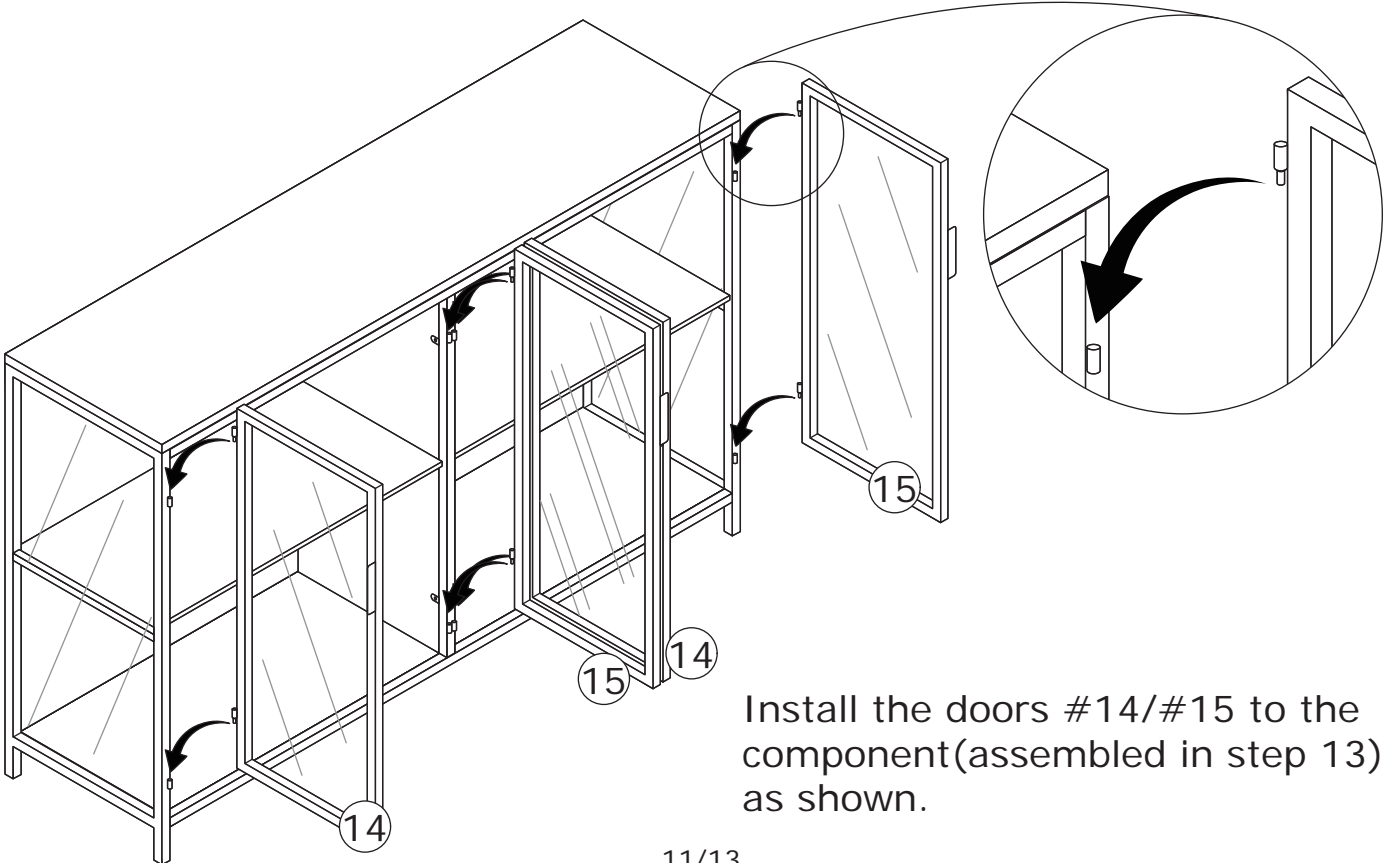
13



Put part(A) to part #1/#2,  
then put shelves #13  
as shown.

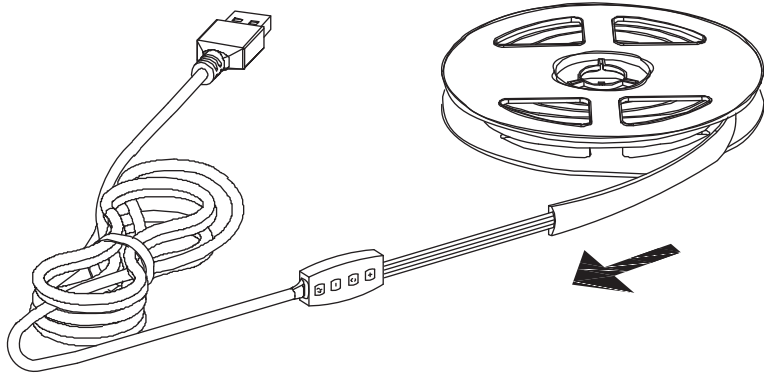


14

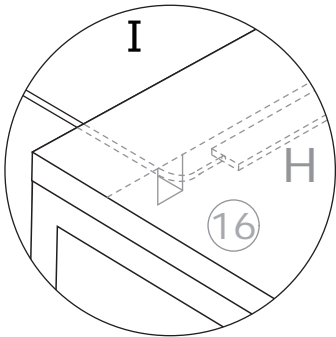


Install the doors #14/#15 to the  
component(assembled in step 13)  
as shown.

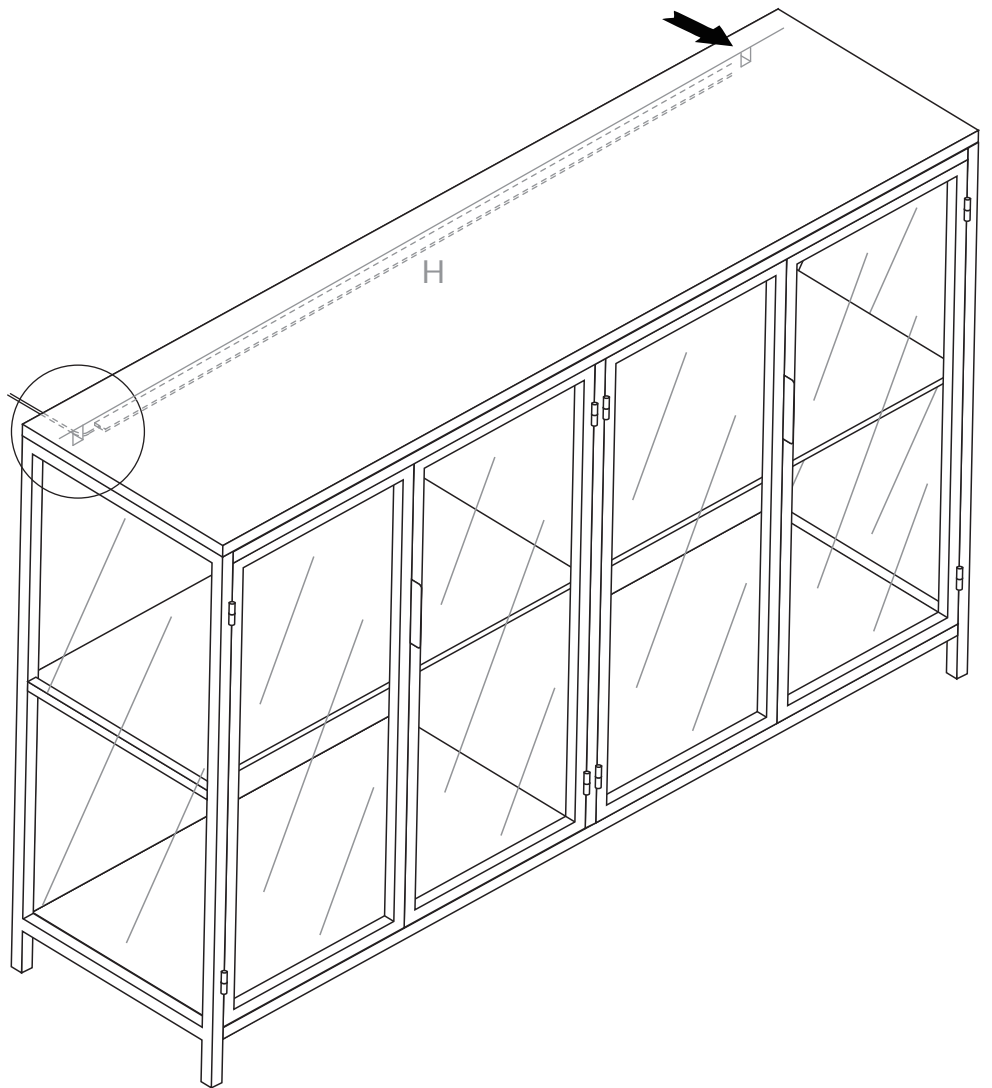
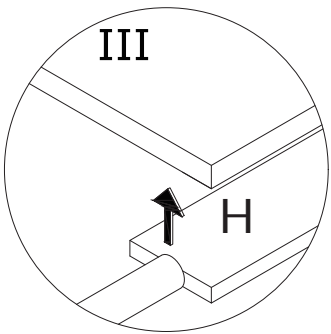
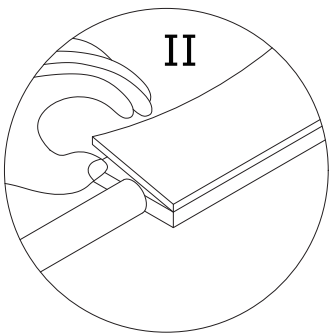
15



Open the package and get the LED strip, clean the boards. keep the boards dry.

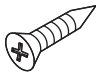
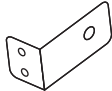
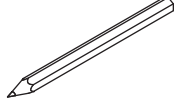
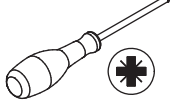
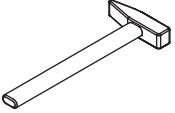

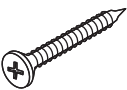
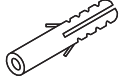


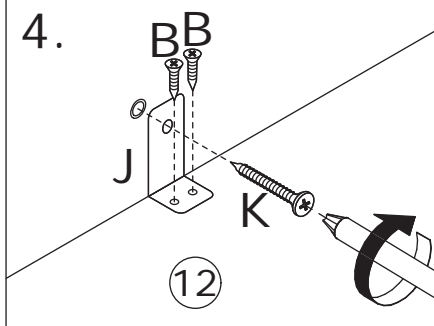
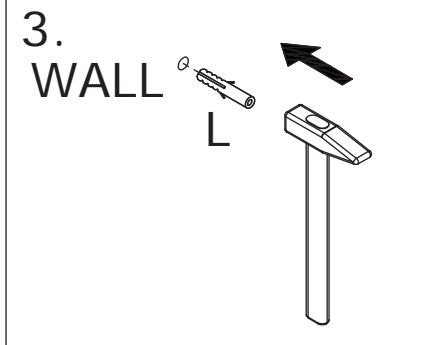
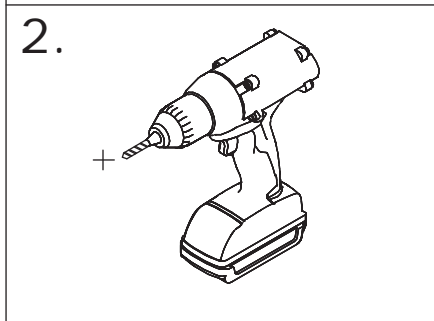
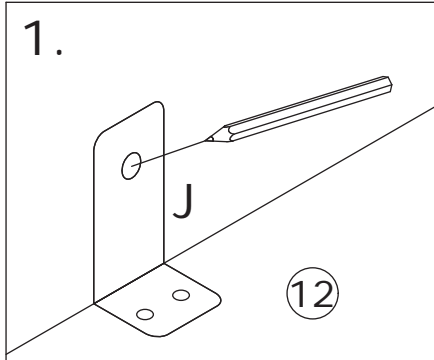
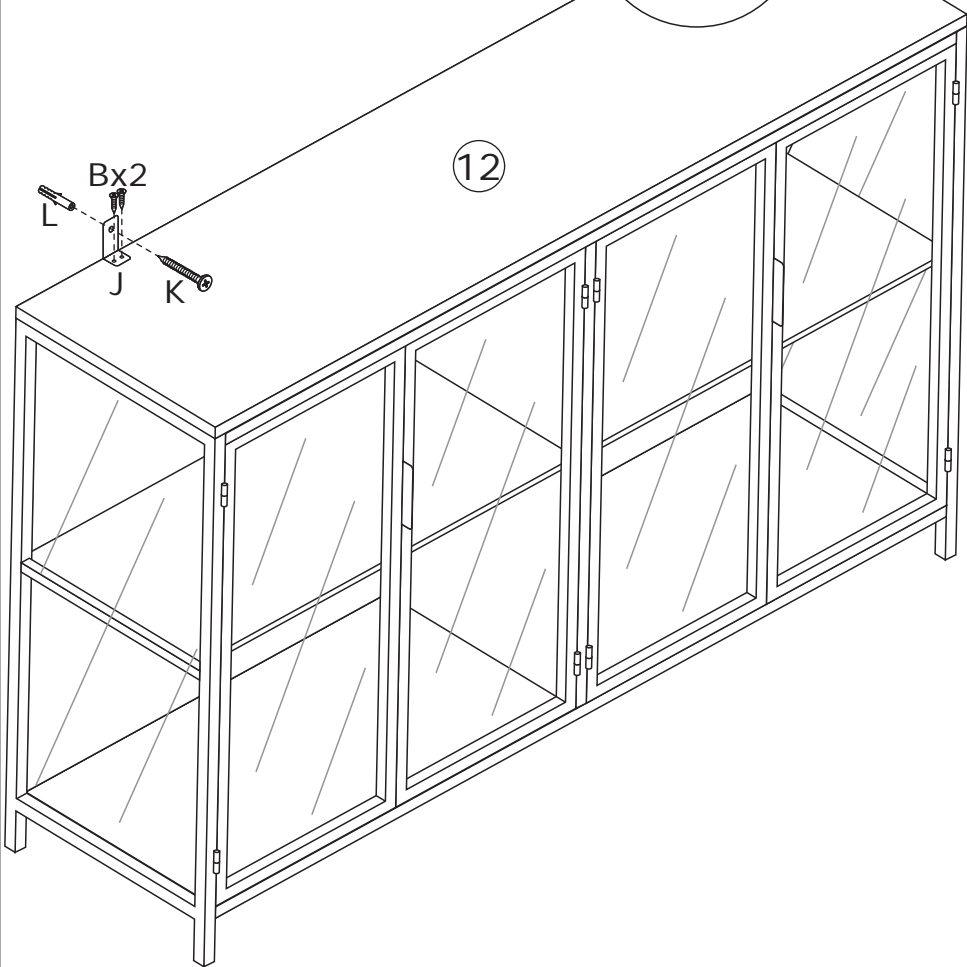
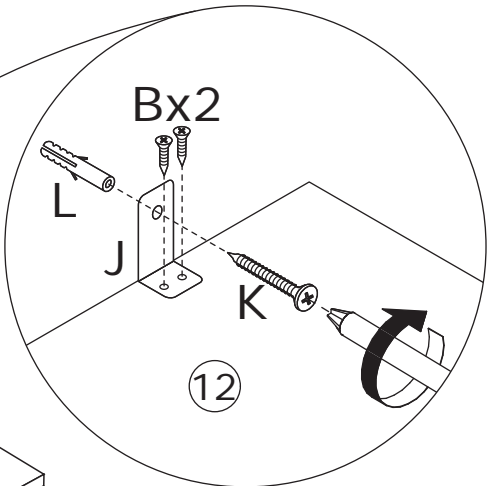
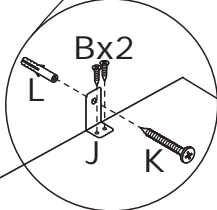
Thread the strip through the bottom hole to the top as shown.



Tear off the adhesive backing of the light strip, it stick the strip to the bottom from the top cabinet as shown.

16

B x 4  M4 x 14 mm	J x 2 				
K x 2  M4 x 40 mm	L x 2 				



Install anti-tipping device shown.

# WARRANTY

## WARRANTY CLAIMS

- There is a 30-day warranty for broken furniture or any other problems that do not work properly. The warranty will start from the date of purchase which must be verified by proof of purchase.
- Before making a claim, we may be able to answer your query, simply call us. Please leave your purchase order number, along with some details of the problem, if you want a replacement part. We will arrange within 48 hours. If there is out of stock, we will reply with a shipping date.
- The product must be used in accordance with the instructions provided. For health reasons.
- For other reasons, if the furniture needs to be returned, it must be cleaned and dried and operated within 30 days of receipt.

## Type of Warranty Claim

- Failure to follow the furniture instructions will invalidate the warranty. Attention please.
- Does not include damage during installation, but includes damage during transportation.

## Scope of responsibility

- Shall not bear any responsibility for misuse or user damage and / or loss of parts during the installation of furniture.
- After using, the damage and scratches of the furniture are not covered by the warranty.

## The Warranty Relates to All Bought in The Us and Covers The Following Areas

- Sheet parts: 1 month from the date of purchase.
- Electrical parts: 1 month from the date of purchase.