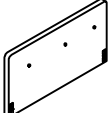




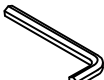
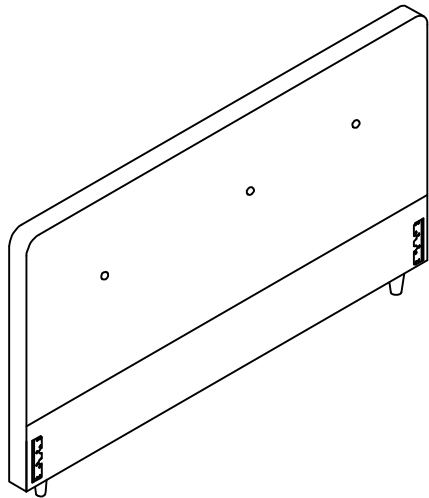


ASSEMBLY INSTRUCTION

HEADBOARD

A HEADBOARD  1PC	B LEG  2PCS	C BOLT 1/4**1-1/4"  8PCS	D LOCK WASHER 1/4"  8PCS
E FLAT WASHER 1/4**16MM  8PCS	F ALLEN WRENCH 4MM  1PC		

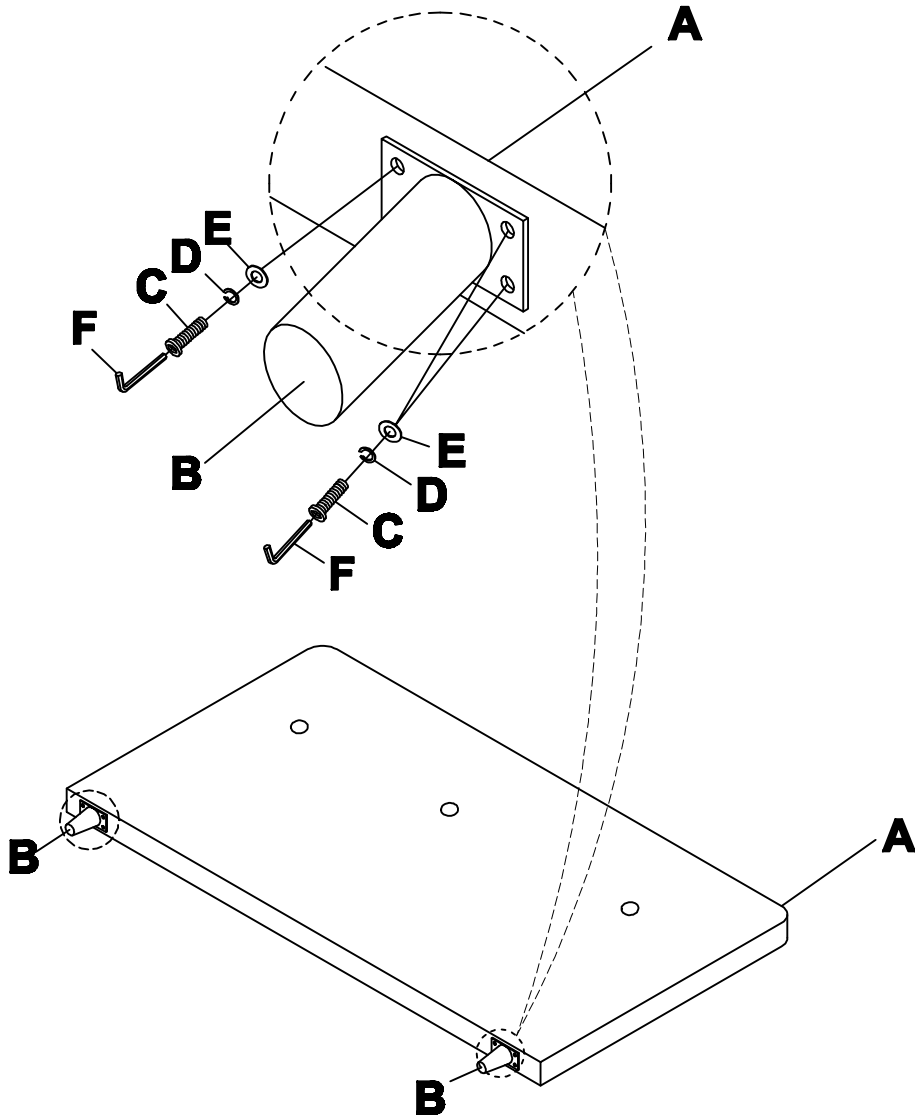


Please take the time to identify the hardware as well as the individual components to this product. As you unpack and prepare for assembly, place the contents on a carpeted or padded area to protect them from damage.

Hardware package with white sticker is for customers using a bolt-on metal bed frame.

1

ATTACHED HEADBOARD(A), LEG(B), FLAT WASHER(E), LOCK WASHER (D),BOLT(C), BY ALLEN WRENCH(F).




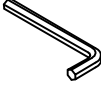
**Cleaning & Care**

Treat surface with care. Surface is resistant to scratches but is not scratch resistant. Clean surfaces with a dry or damp soft cloth. Do not use abrasive cleaners. Hardware may loosen over time. Periodically check that all connections are tight.

ASSEMBLY INSTRUCTION

- 1.This Assembly instruction is for customers using a bolt-on metal bed frame on headboard only.
- 2.Please refer to hardware package with white sticker when using this Assembly Instruction.
- 3.Full/Queen/King Headboard need to use the other Assembly Instruction in the carton to assemble the headboard first,then use this one.
- 4.Twin Headboard is fully assembled,customers only refer to this Assembly Instruction to assemble with their own mattress frame.

E312BF/BQ/BK HEADBOARD ONLY -SCREW

A BOLT 5/16**2-1/2"	B FLAT WASHER 5/16**22MM	C LOCK WASHER 5/16"	D ALLEN WRENCH 5MM
			
6PCS	6PCS	6PCS	1PC

Assembly diagram below for attaching bolt-on metal bed frame to headboard only.

- 1 ATTACH MATTRESS FRAME TO THE HEADBOARD USE BOLT(A),LOCK WASHER(C),FLAT WASHER(B) AS SHOWN.TURN THE ALLEN WRENCH(D) IN BOIT(A).**

