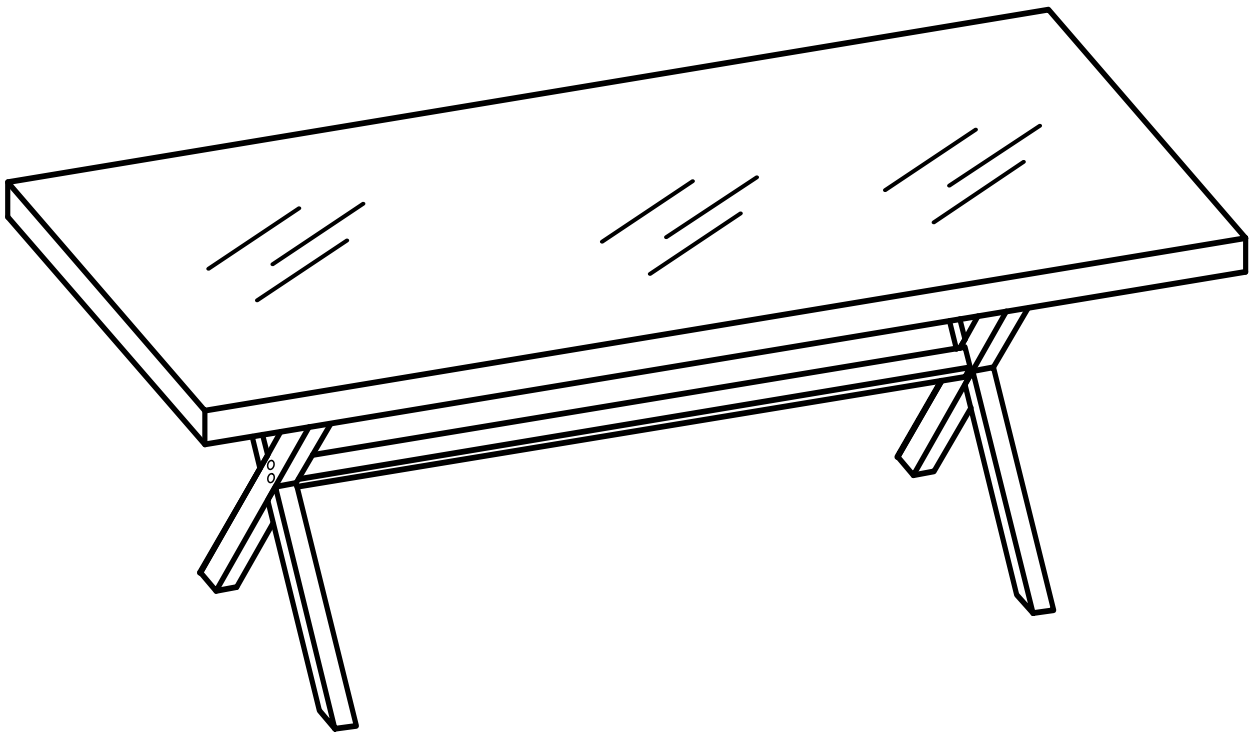


Owner Manual

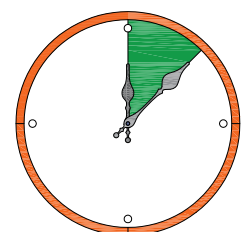


NOTE:

This brochure contains IMPORTANT safety info. Please read and keep for future reference.

MAINTAINANCE AND WARNING

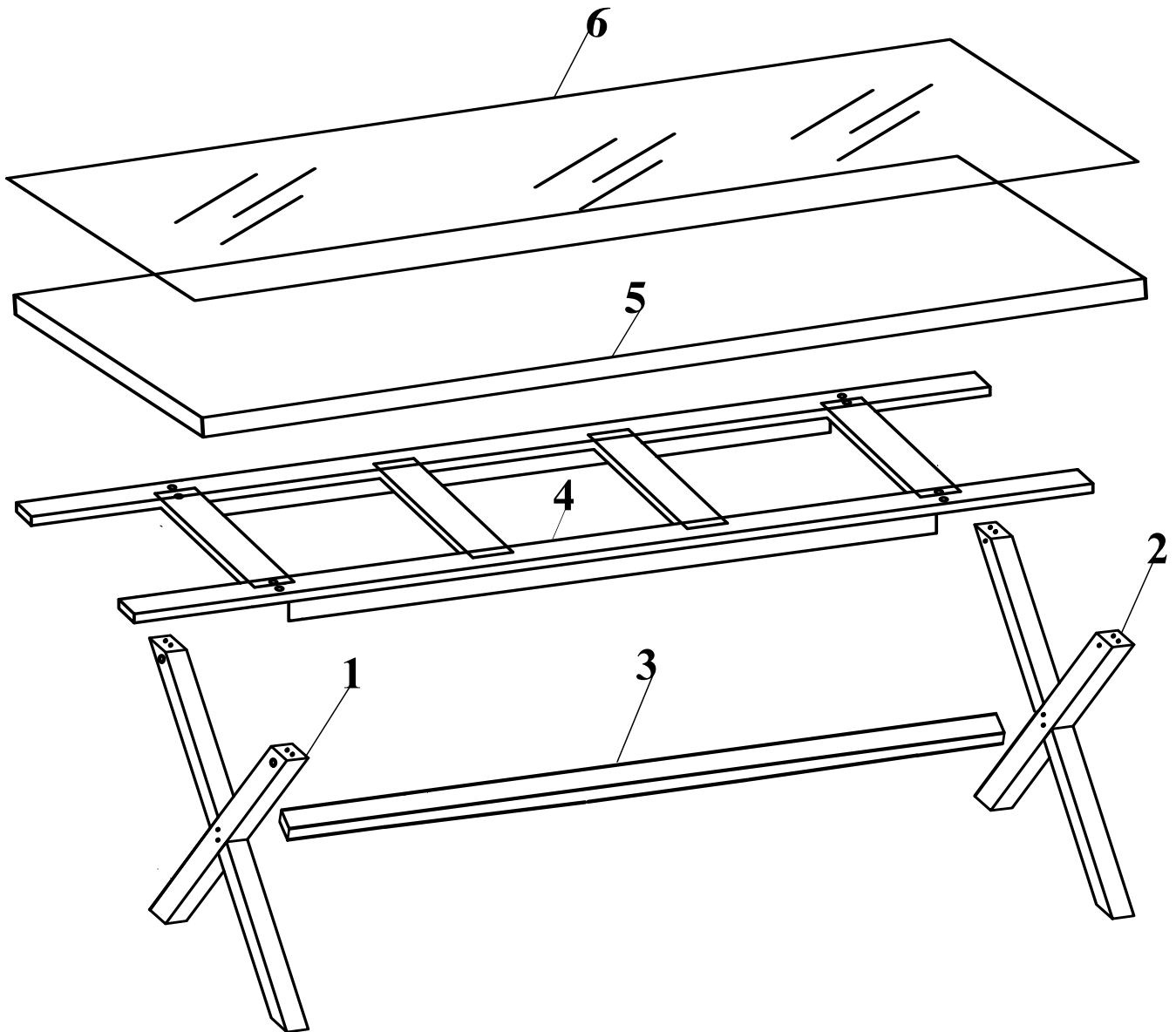
- 1.Keep furniture away from heat sources.
- 2.Do not clean furniture with harsh cleaner or polishes.Do not use detergents,solvents,abrasives,spray packs or leather cleaner. Use non-color mild soa with warm water to clean spills(Mix 1:10 soap to water).
- 3.Do not place furniture under direct sunlight,material will possibly fade over time.
- 4.Do not use on site dry cleaning machine.Children should not climb or jump on the furniture.
- 5.Do not write on furniture that is not protectedby a padded barrier.
- 6.Not for commercial use,only for residential use.



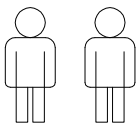
Around **40** min

02/12

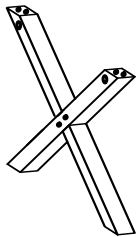
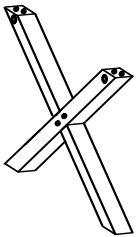
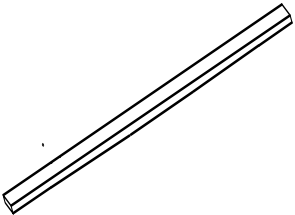
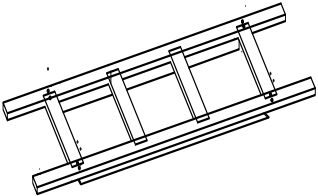
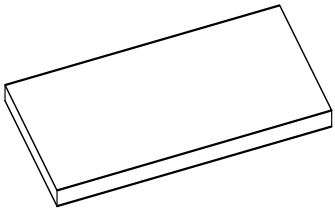
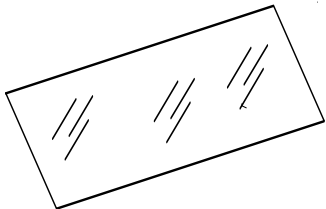
EXPLOSIVE VIEW



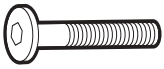
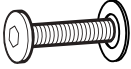
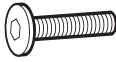
2 PERSONEN



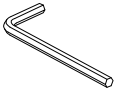
PARTS LIST

1	x1	2	x1	3	x1
					
4	x1	5	x1	6	x1
					

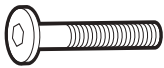
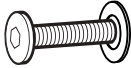
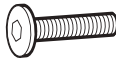
HARDWARE LIST

#A	x8	#B	x20	#C	x8
					
M8" * 70mm		M8" * 40mm		M8" * 40mm	

TOOL LIST

#H	x1
	
M6	

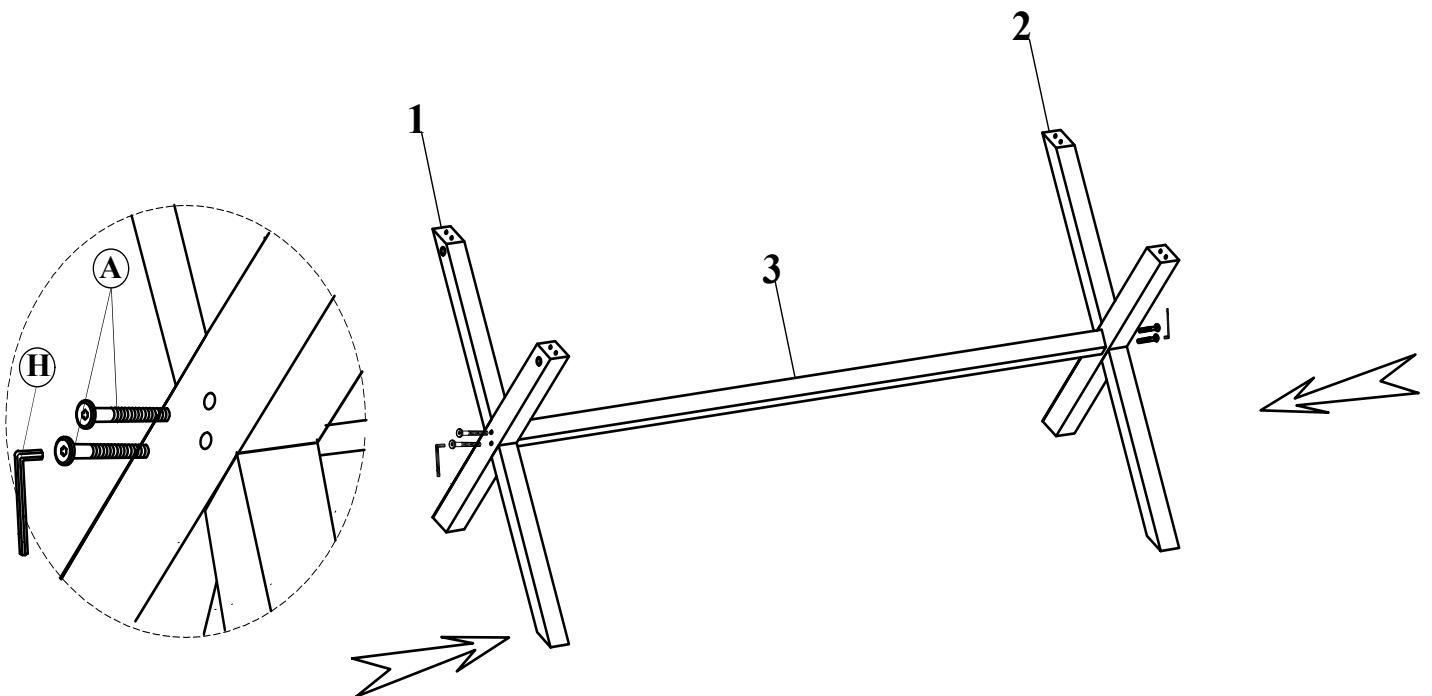
HARDWARE SPARE LIST

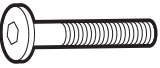
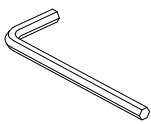
#A	x1	#B	x2	#C	x1
					
M8" * 70mm		M8" * 40mm		M8" * 40mm	

ASSEMBLY INSTRUCTIONS

STEP-1

Attach the legs on the wooden support bar by put the screws in the holes. Tighten the screws

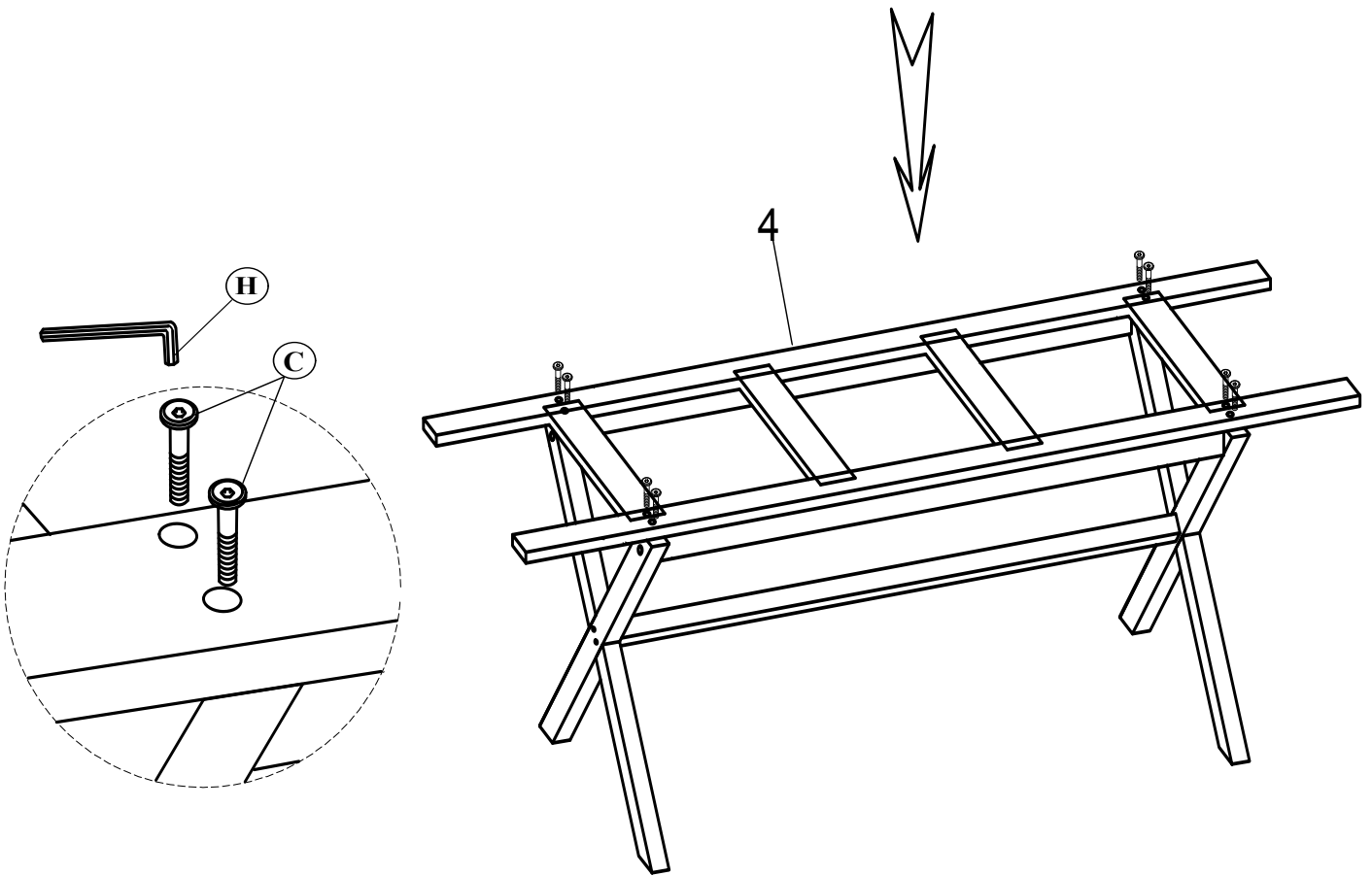


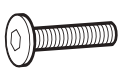
#A	x4	#H	x1
			
M6**70mm		M6	

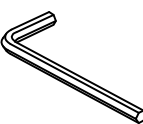
ASSEMBLY INSTRUCTIONS

STEP-2

Attach the support wooden frame to legs by put the screws in the holes. Screws top-down. Tighten the screws to 50 %



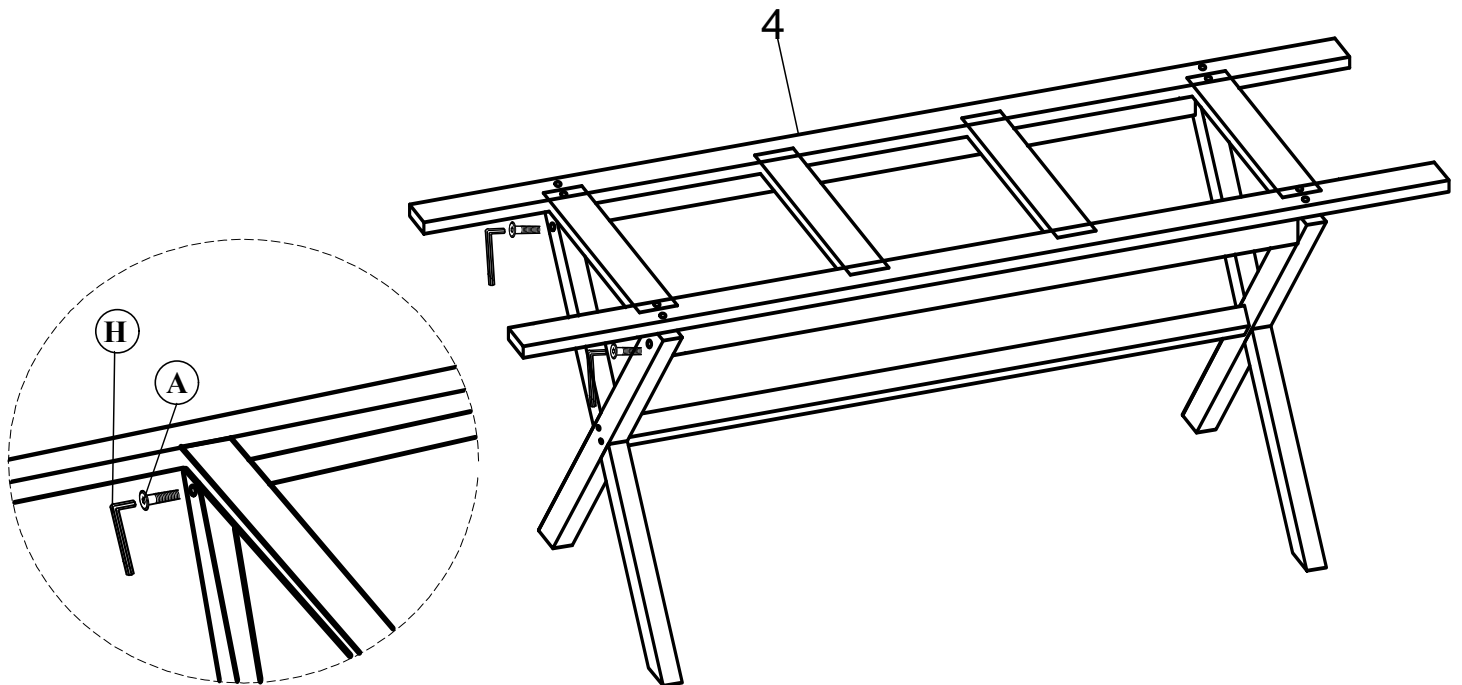
#C	x8
	
M8** 40mm	

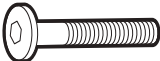
#H	x1
	
M6	

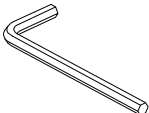
ASSEMBLY INSTRUCTIONS

STEP-3

Attach the support wooden frame with legs by put the screws in the holes.
Screws side to side .Tighten the screws to 50 %
Tighten the screws 100 % at all position



#A	x4
	
M6"* 70mm	

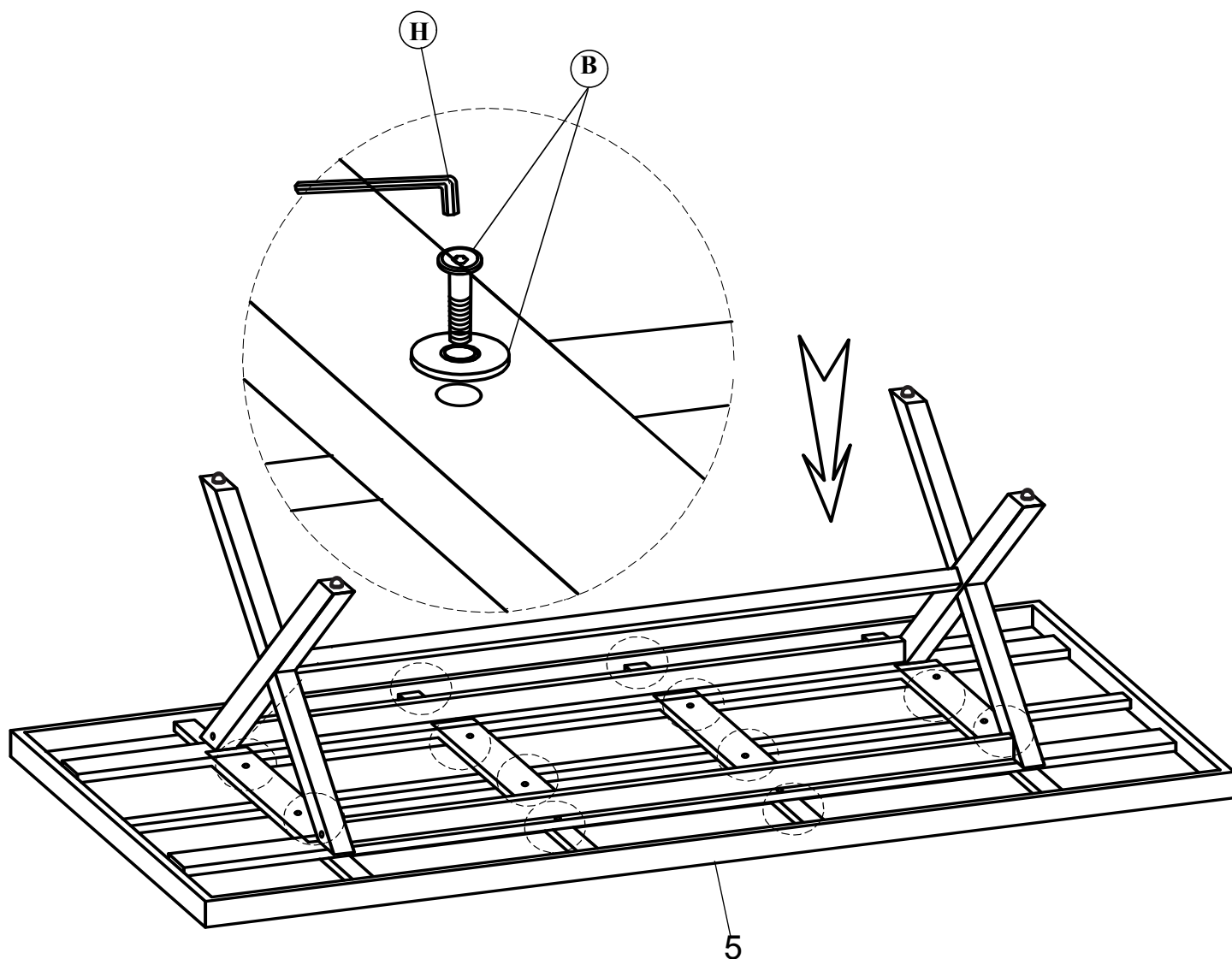
#H	x1
	
M6	

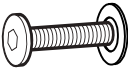
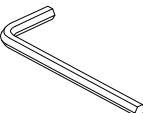
ASSEMBLY INSTRUCTIONS

STEP-4

Attach the support wooden frame wit table top by put the screws in the holes.
Tighten the screws to 50 %

Tighten the screws 100 % at all position

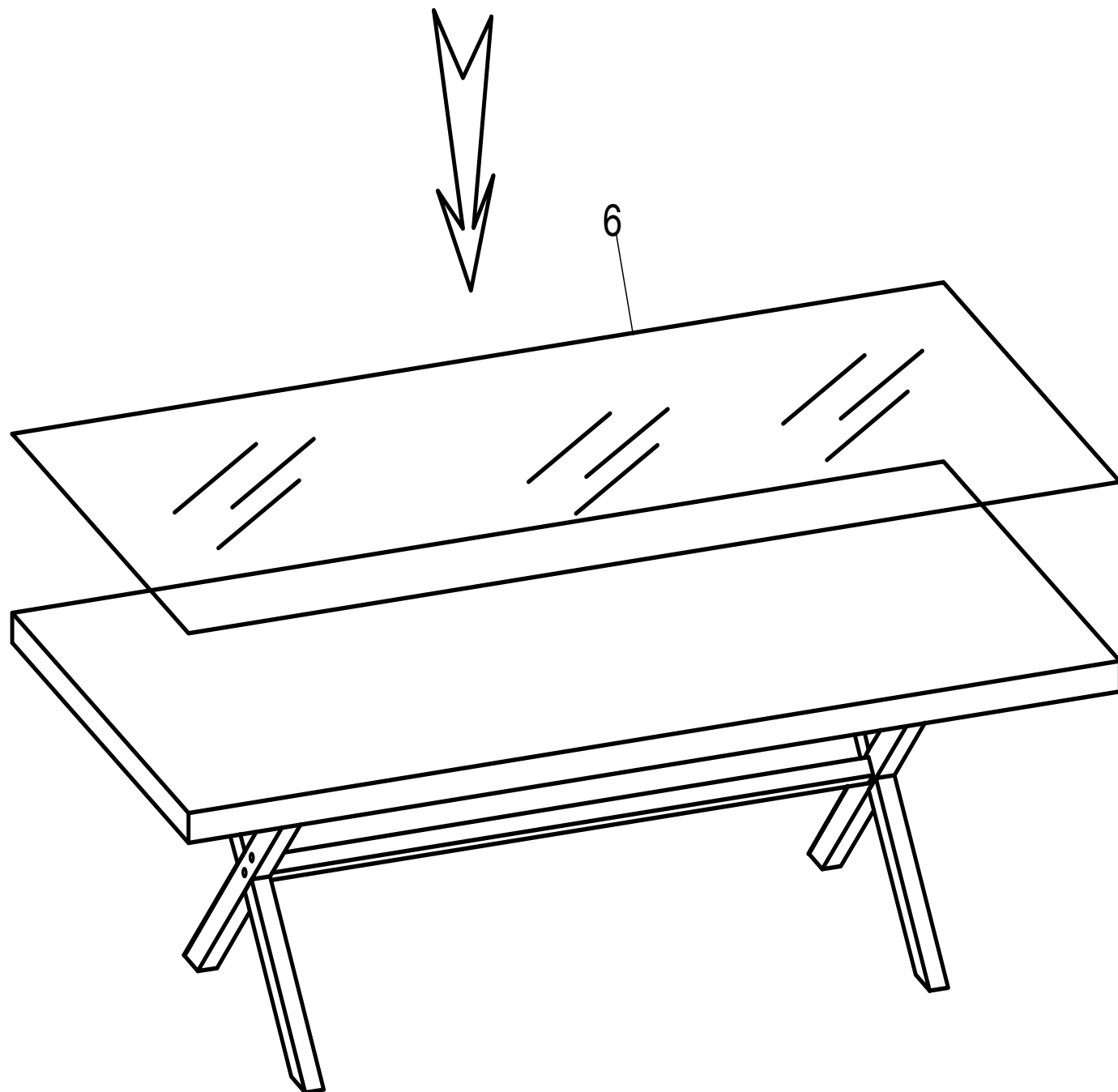


#B	x12	#H	x1
			
M8** 40mm		M6	

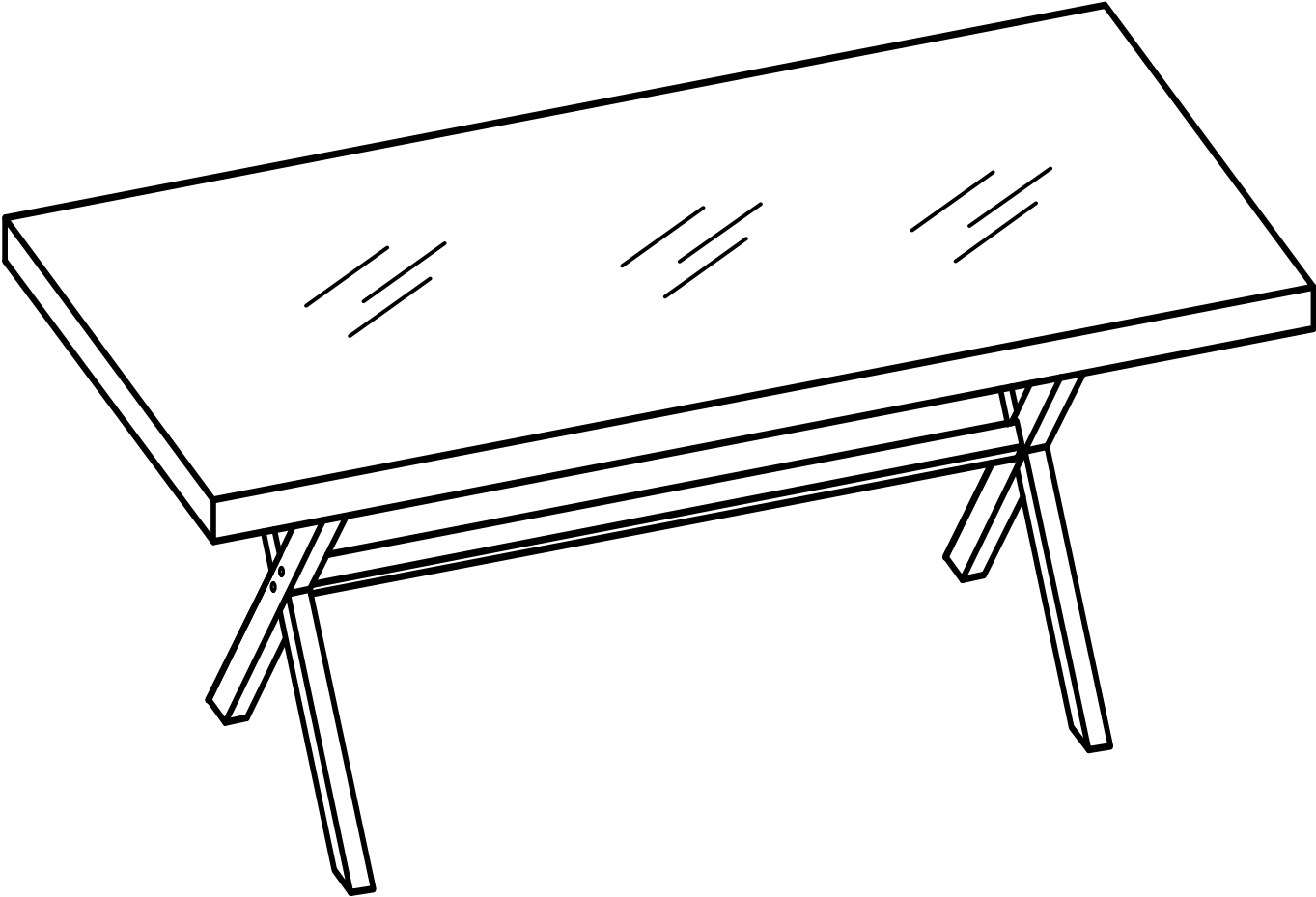
ASSEMBLY INSTRUCTIONS

STEP-5

Put the Glass top on the table top



ASSEMBLY INSTRUCTIONS



WARRANTY

1. We strive to offer high-quality products, and we also try our best to satisfy each and every customer that orders from us with product or service as needed.
2. We provide 30 days warranty starting from the time you receive the item. Each customer must provide a record of their order such as the order number, or item receipt for any items that are out of the warranty period you may also still receive.
3. Replacement parts by purchasing them with our company if they are available.

Are you having difficulty
With assembly? Missing parts?
Please send email with your order

For return, please check the return policy with
the retailer or market place you bought from.

Appreciate your purchasing from us.
Pop up your life by our furniture piece!