

## 2-Spotlight & LED Flush Mount Ceiling Light

**Caution:** Please turn off power before installation and read the manual carefully, we advise you contact professional electricians to install for safety purpose.

### Product Features

Style: Modern

Material: Metal + Acrylic

Base Type: G10

Light Source Included: NO

Voltage: 120VAC

Wattage: 25W

&

Base Type: LED

Light Source Included: Yes

Voltage: 120VAC

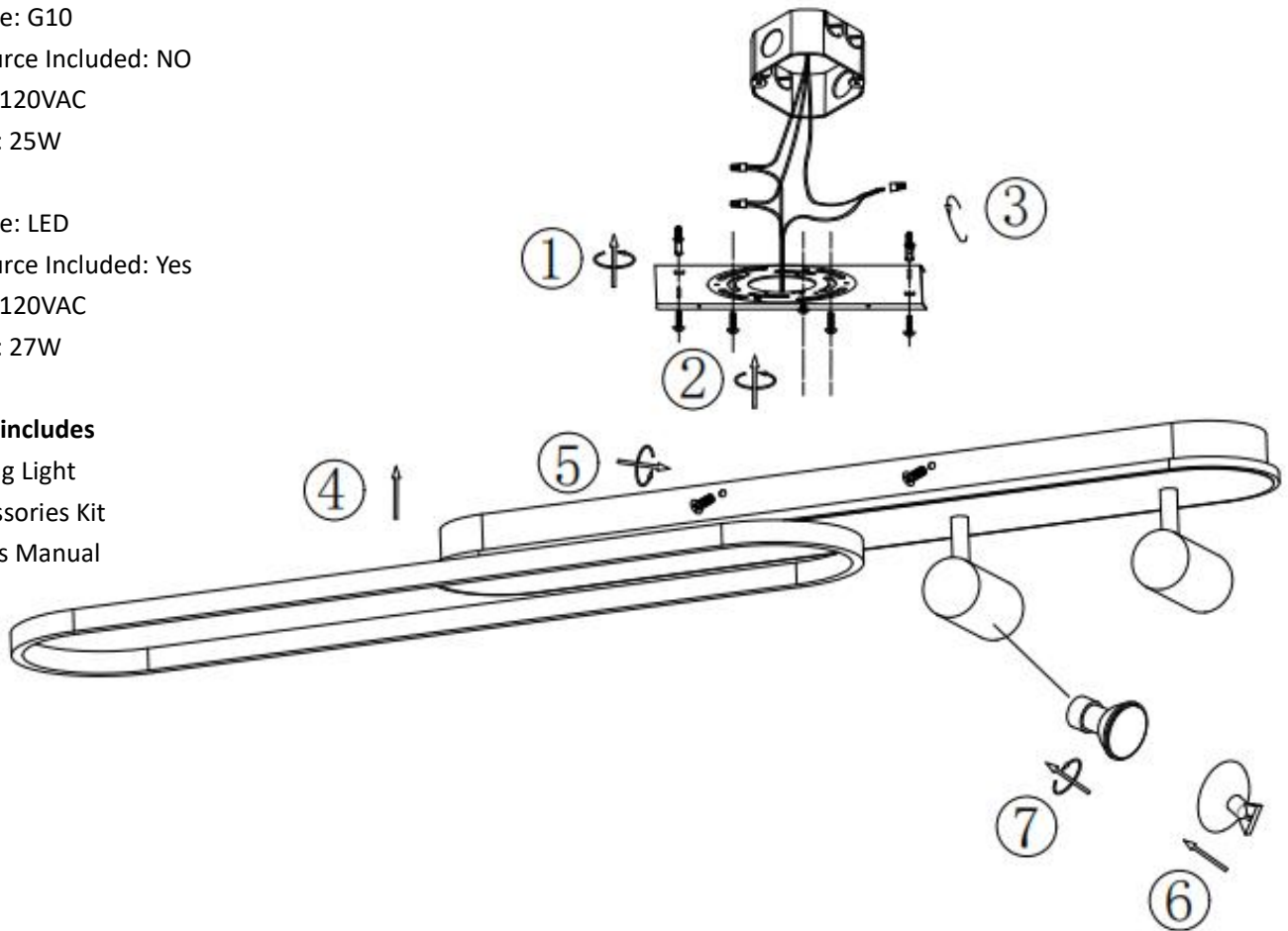
Wattage: 27W

### Package includes

1 x Ceiling Light

1 x Accessories Kit

1 x User's Manual



### Installation Instructions

1. Determine the location of the mounting plate on the wall and drill holes to insert the wall plugs into the holes.
2. Attach the mounting plate to the electrical junction box using supplied screws.
3. Connect the fixture wires (neutral, live wire and ground wire ) and the wires reserved on the junction box with wire nuts respectively. (Be careful to distinguishing the positive and negative wire.)
4. Place the fixture upward and align it with the holes on the mounting plate.
5. Secure the light fixture to the mounting plate with screws.
6. Use a suction cup to catch the bulbs (not included).
7. Assemble the bulbs (not included) onto the light socket, and adjust the spotlights to a suitable angle.

**Note:** please use this product accordingly to its intended purpose, do not retrofit or remodeling the product. The warranty does not cover if the failure is caused by the third party product, or natural disasters.

Made in China