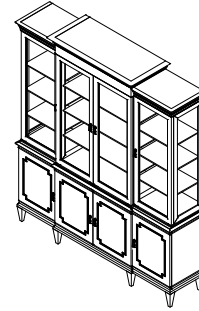


ASSEMBLY INSTRUCTIONS

426 - 851

426 - 850



TOOLS REQUIRED:

Phillips Head Screwdriver (Not Provided)

BEFORE YOU START:

1. Check the parts against the parts list to make sure all items are present.
2. Assemble your furniture on a soft, flat surface to avoid scratching the finish.
3. **CAUTION:** Do not over tighten screws, nuts or bolts during assembly.
4. Your furniture may require occasional tightening.

INSTRUCTIONS:

1. Place Pier Deck on top of Pier Base. Make sure the Deck is flush with the back edge and the side panels of the Base.
2. Secure the hutch to the base by rotating the mending plate down 90 degrees to a vertical position at the lower back edge of the Deck and using screw (A) into holes of mending plate. Tighten screw with Phillip head screwdriver. (See Figure 1)
3. Repeat the process for the other mending plates.
4. Carefully place the glass on its right location. (See Figure 2)
5. Repeat the process for the other glass.

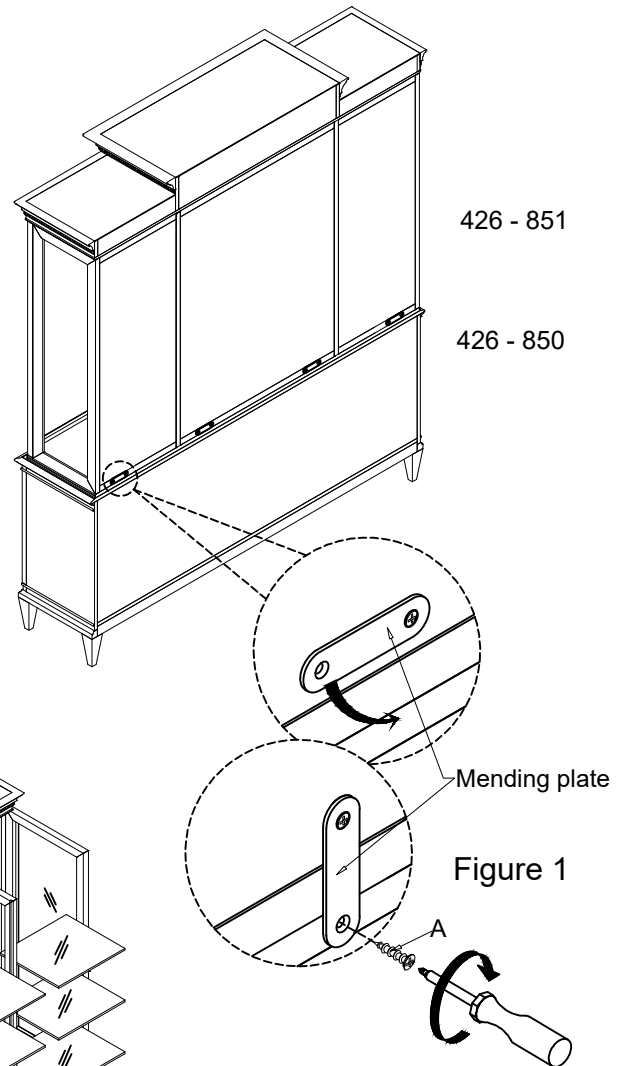
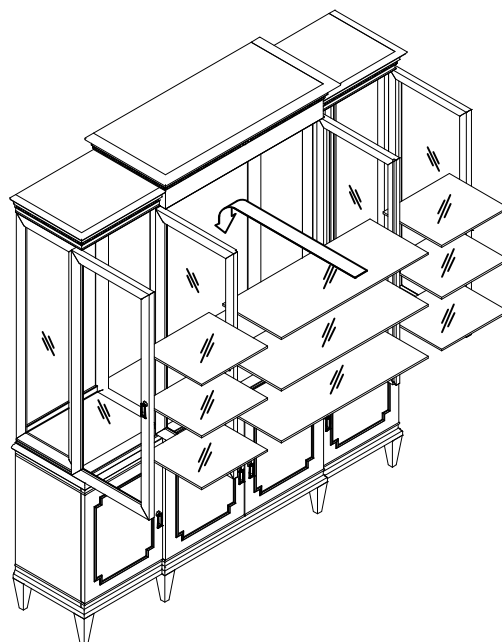
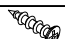


Figure 2



No.	Hardware List	Q'ty
A	 Screw Ø7x5/8"	4