

# Assembly Instruction

## STORAGE BENCH



Legs & Hardware are stored in the bench.

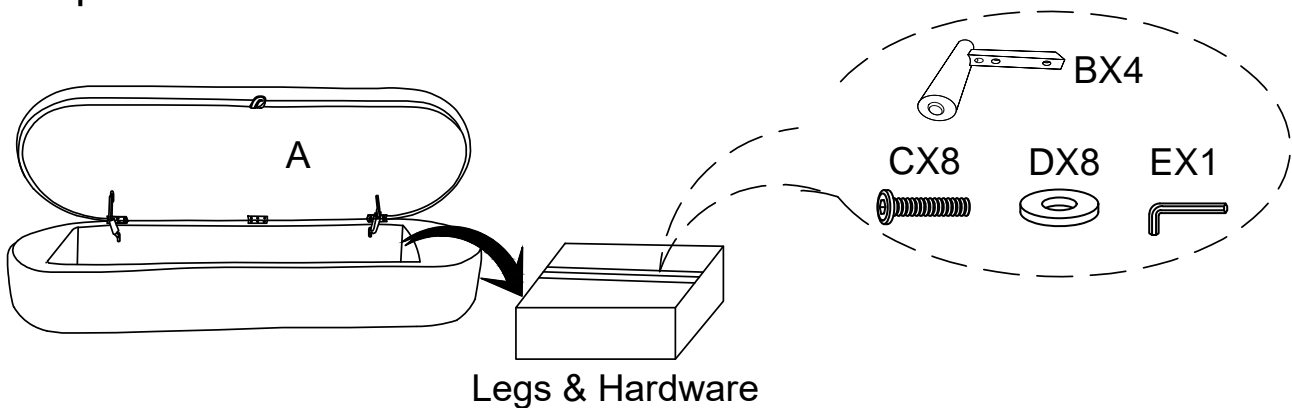
Please take out the legs and hardware for assembly

Note: Do not use power tools for assembly. Power tools increase the risk of over tightening which lead to splitting or cracking the wood.

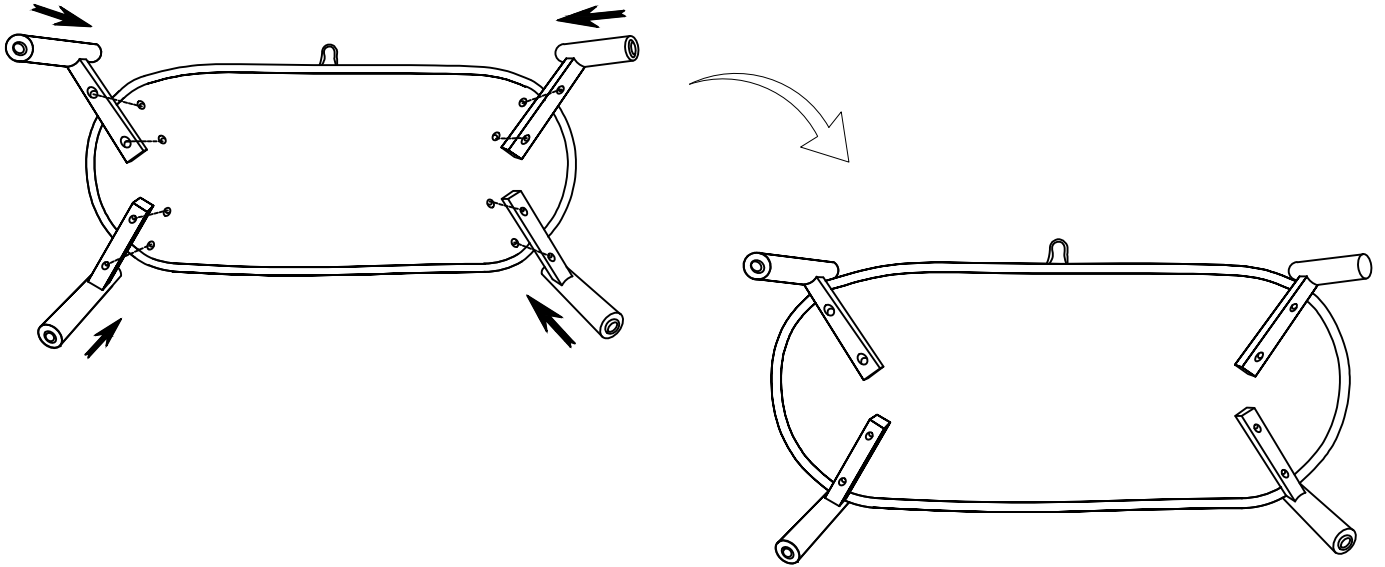
### Component list

No	Drawing	Qty	Description
A		1	<b>BENCH</b>
B		4	<b>WOODEN LEGS Ø1.5" x 10.5"H</b>
C		8	<b>BOLT Ø1/4"*50mm</b>
D		8	<b>FLAT WASHER Ø1/4"</b>
E		1	<b>ALLEN KEY M4</b>

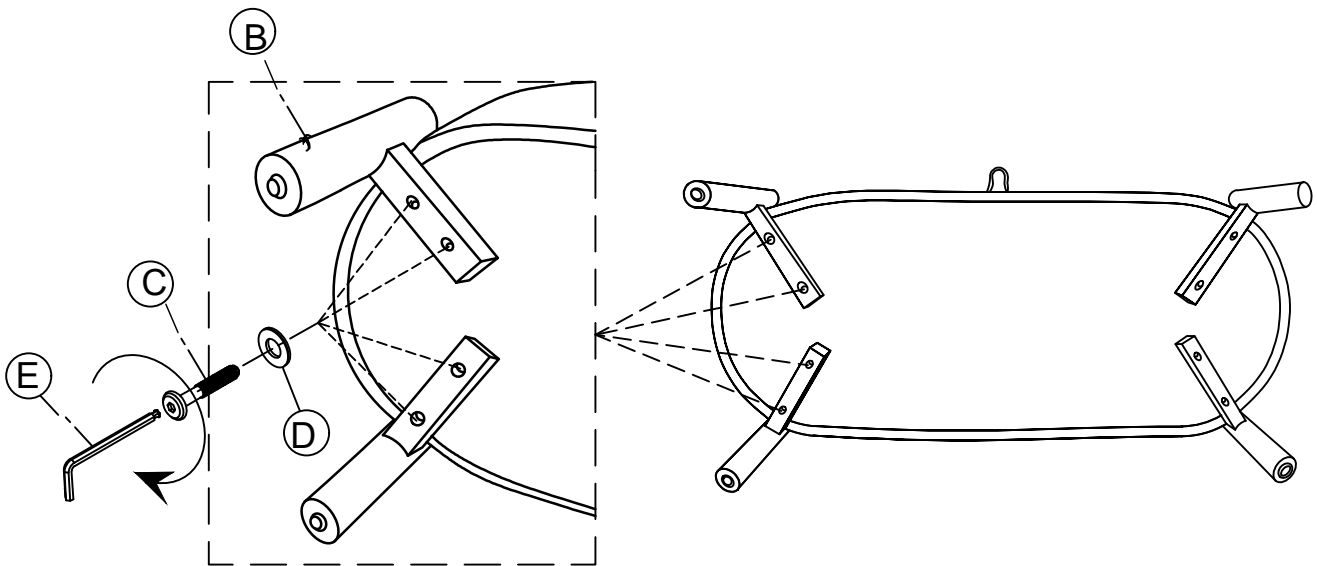
### Step #1



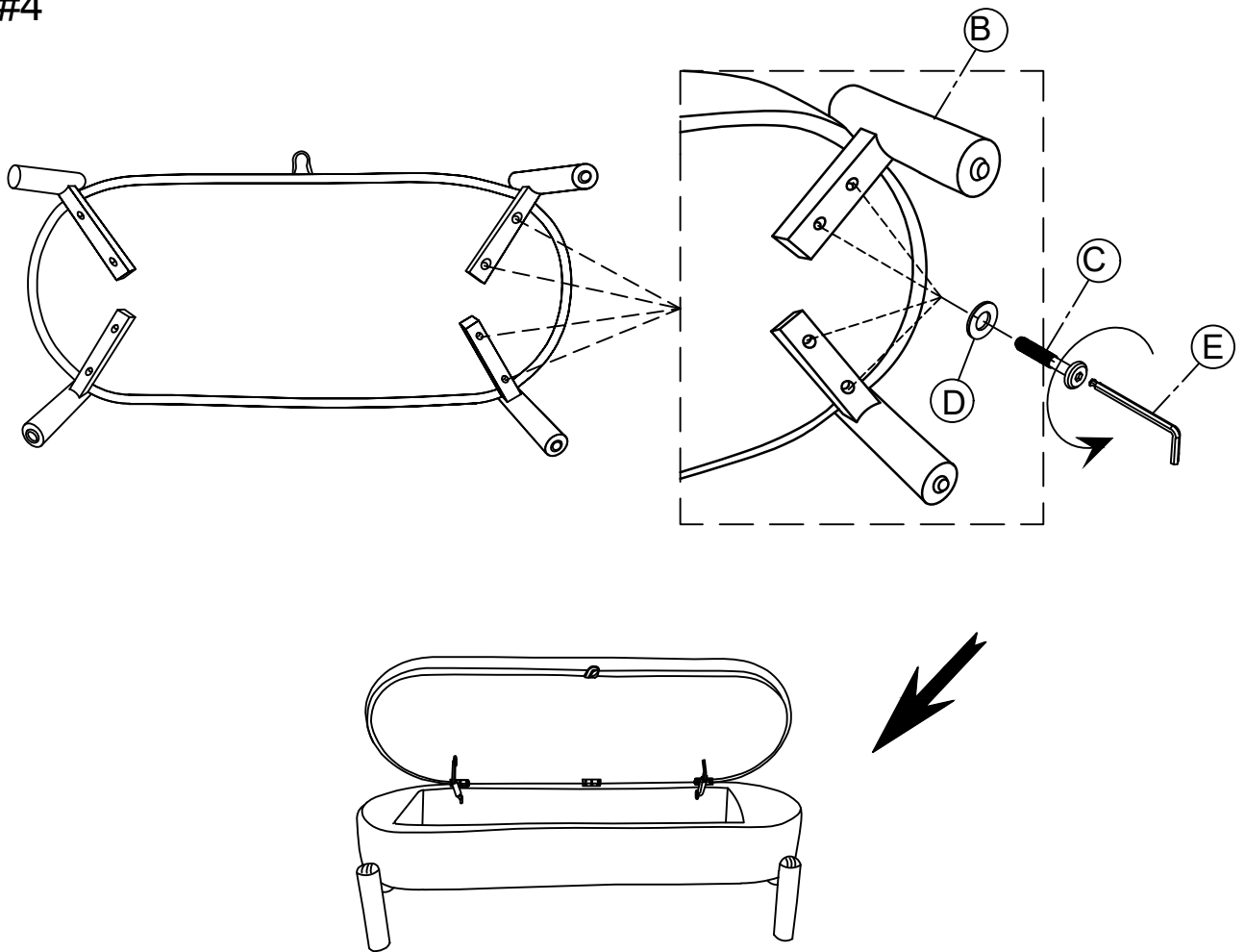
## Step #2



## Step #3



## Step #4



## Care Instruction for Corduroy Furniture:

In order to maintain the original appearance of your corduroy Furniture, please follow below simple care procedures:

- Avoid exposing furniture directly to sunlight or heating and air conditioning outlets. Sunlight and or exposure to heating and air conditioning outlets will fade/damage corduroy.
- Vacuum or wipe with a soft cloth to remove dust.
- Hardware may loosen over time. Periodically check to make sure all connection are tight, Re-tighten if necessary



For items use on wooden floor, hard surfaces or carpets, it is recommended to Install protective pads under all legs and supports to avoid/prevent from damages/scratches and discoloration.