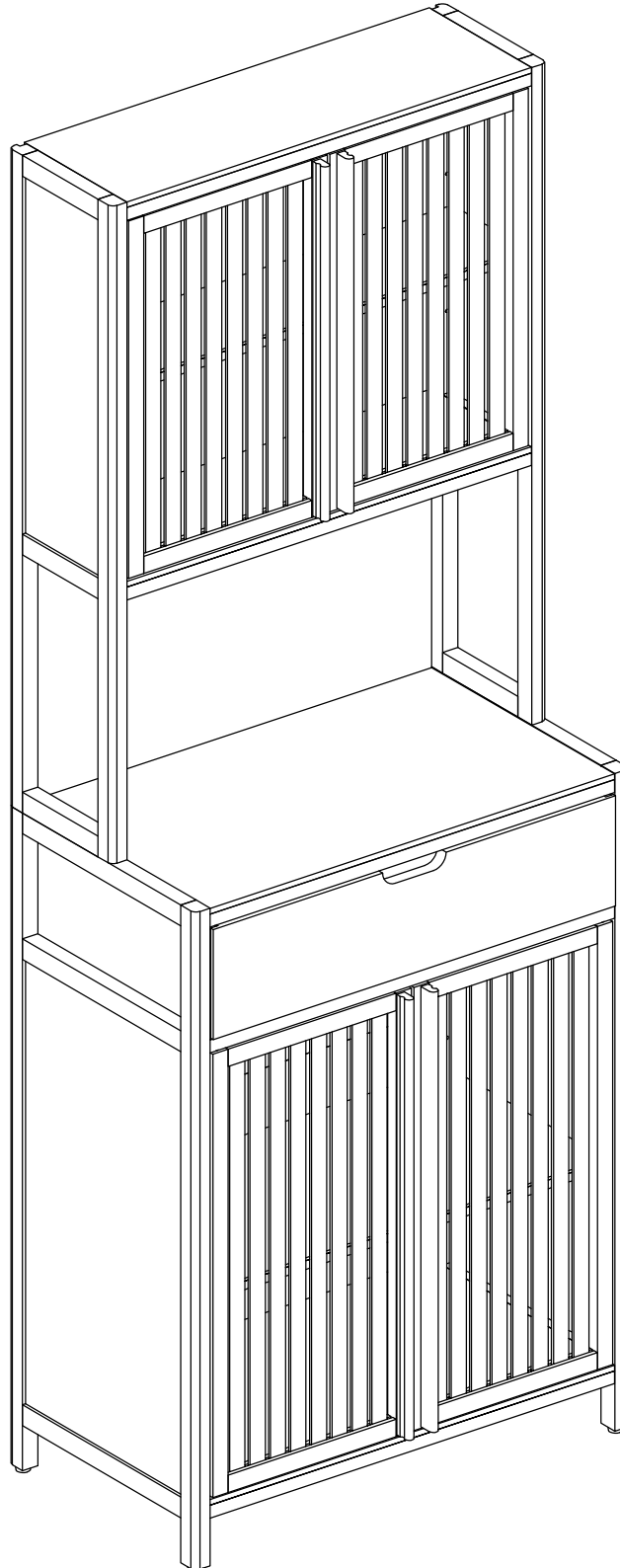


BAMBOO TEA CABINET



W2207P242502

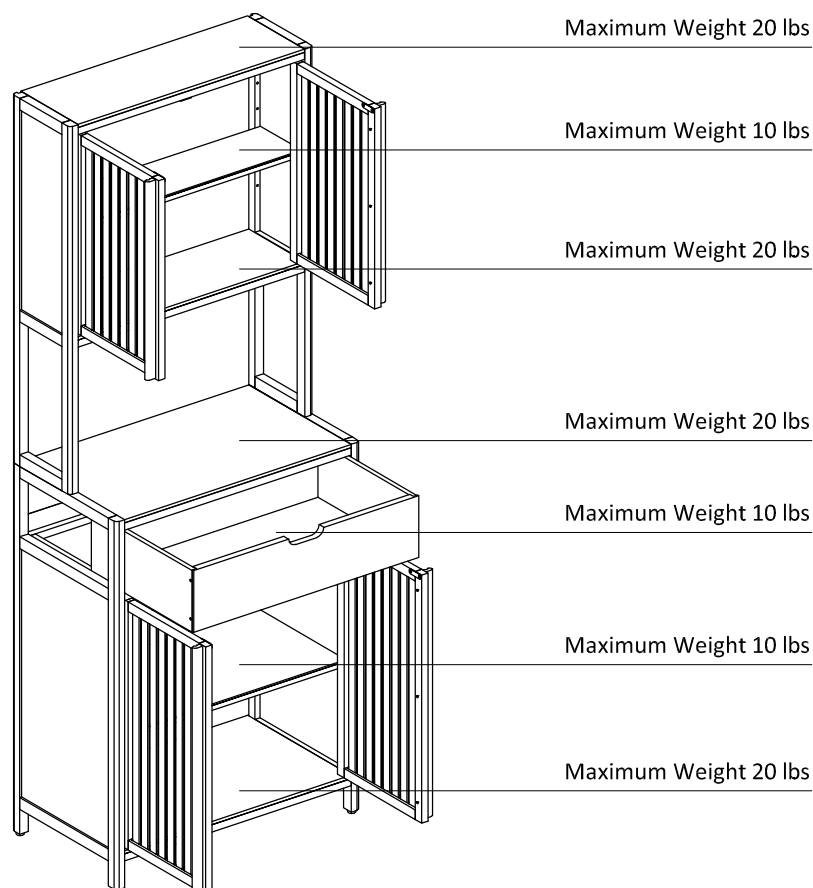
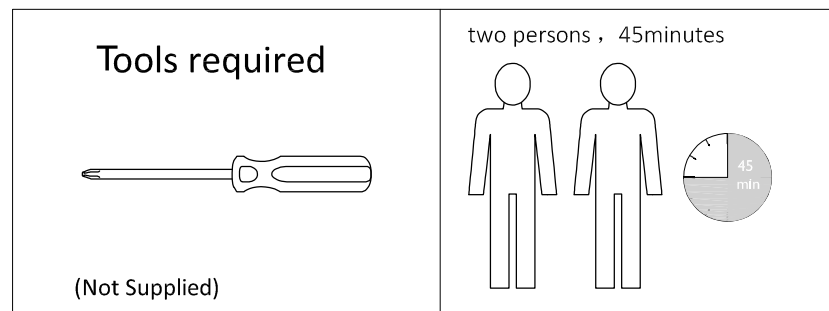
Getting started

Thank you for purchasing **this product**. Read the instructions and warnings carefully before use, to ensure safe and satisfactory operation of this product.

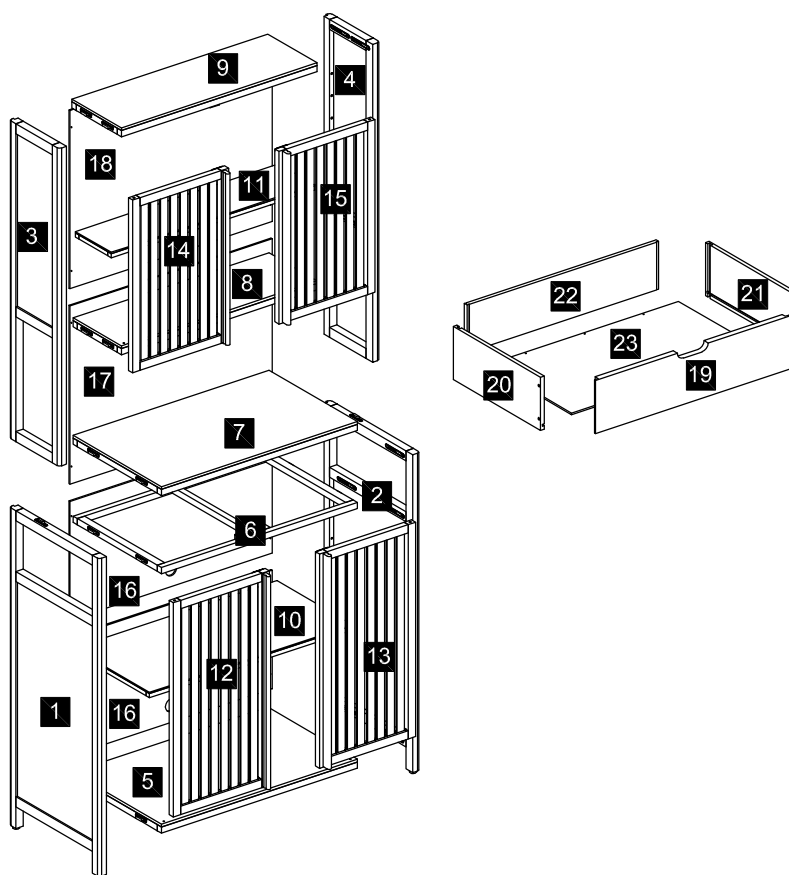


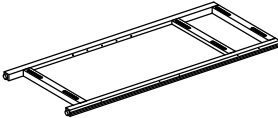
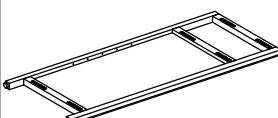
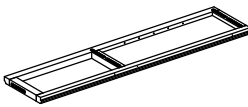
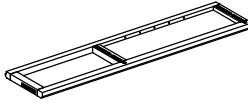
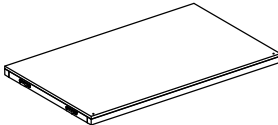
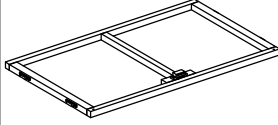
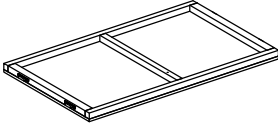
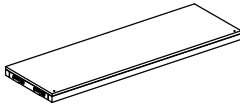
WARNING

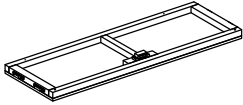
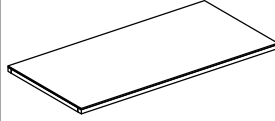
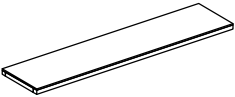
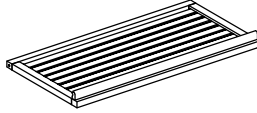
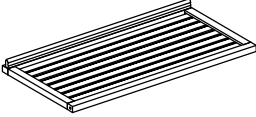
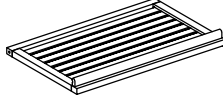
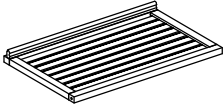
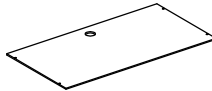
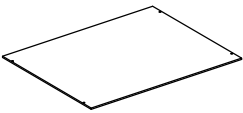
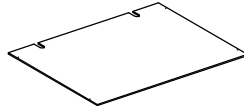
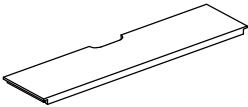

- Do not let any sharp objects touch or rub the surface of the product.
- When assembling, do not let children play around the working area.
- Please confirm all parts are correct before starting the assembly process.
- Do not tighten all bolts and screws completely until the entire unit has been assembled and set up.
- **DO NOT USE POWER TOOLS.**
- Power tools can over tighten screws and strip threads.
- For each screw:
 1. Tighten each screw until you meet resistance.
 2. Tighten one additional full rotation. **DO NOT OVER TIGHTEN.**


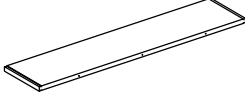
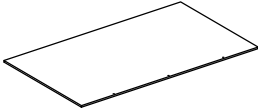
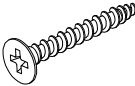
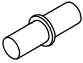

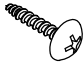
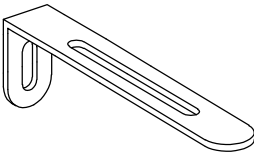

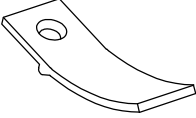


Fittings and parts checklist



No.	Picture	Name	Qty	No.	Picture	Name	Qty
1		Under left side frame	1	2		Under right side frame	1
3		Upper left side frame	1	4		Upper right side frame	1
5		Bottom panel	1	6		Fixed frame	1
7		Under fixed shelf	1	8		Upper fixed shelf	1

No.	Picture	Name	Qty	No.	Picture	Name	Qty
9		Top panel	1	10		Under adjustable shelf	1
11		Upper adjustable shelf	1	12		Under left door	1
13		Under right door	1	14		Upper left door	1
15		Upper right door	1	16		Under back panel	2
17		Upper back panel	1	18		Upper back panel	1
19		Drawer front	1	20		Left side panel of drawer	1

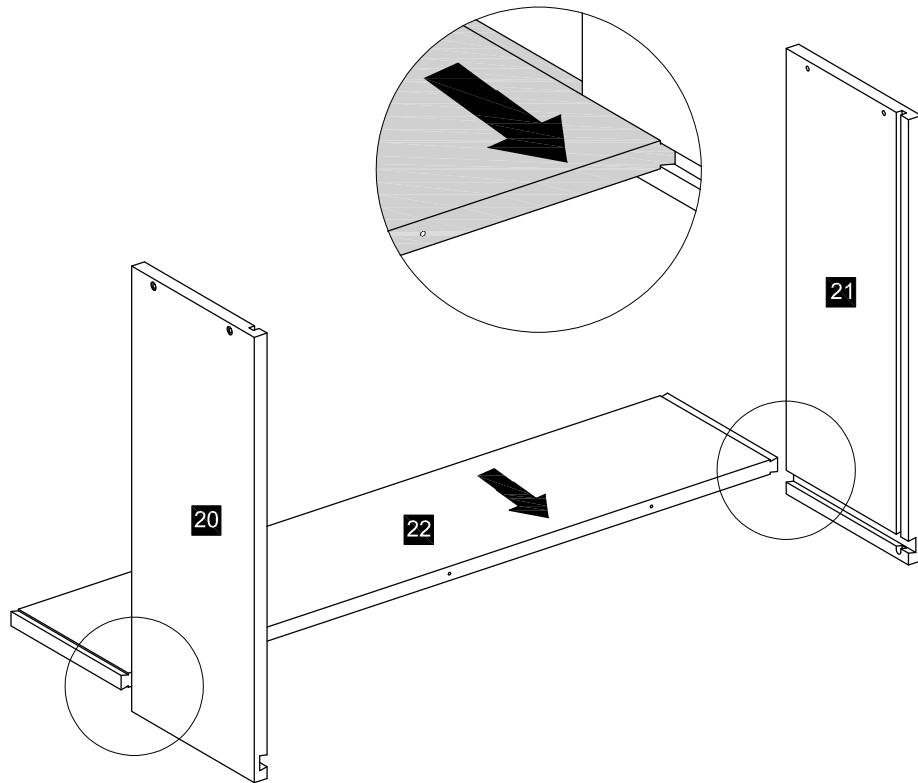
No.	Picture	Name	Qty	No.	Picture	Name	Qty
21		Right side panel of drawer	1	22		Back panel of drawer	1
23		Bottom of drawer	1	A		M3.5x18 Screw	20
B		Shelf Support	8	C		Pin	9 (One spare)
D		Screw	2	E		Metal 'L' Bracket	2
F		M3.5x25 Screw	4	G		Drawer stopper	1

Product assembly

Step 1

Parts, fittings and tools

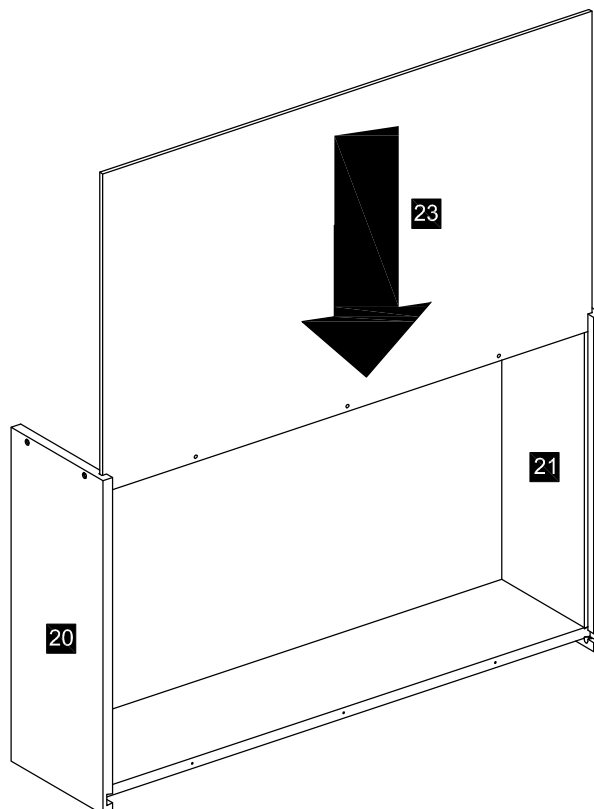
20 21 22



Step 2

Parts, fittings and tools

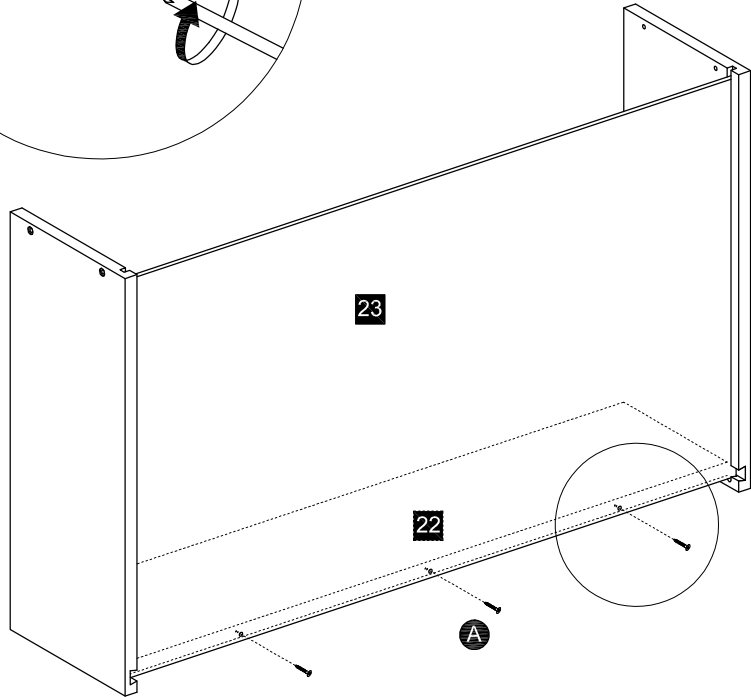
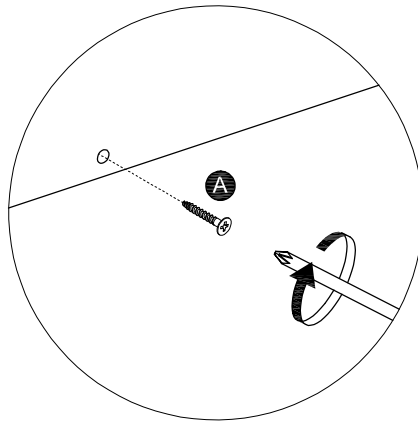
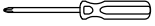
20 21 23



Step 3

Parts, fittings and tools

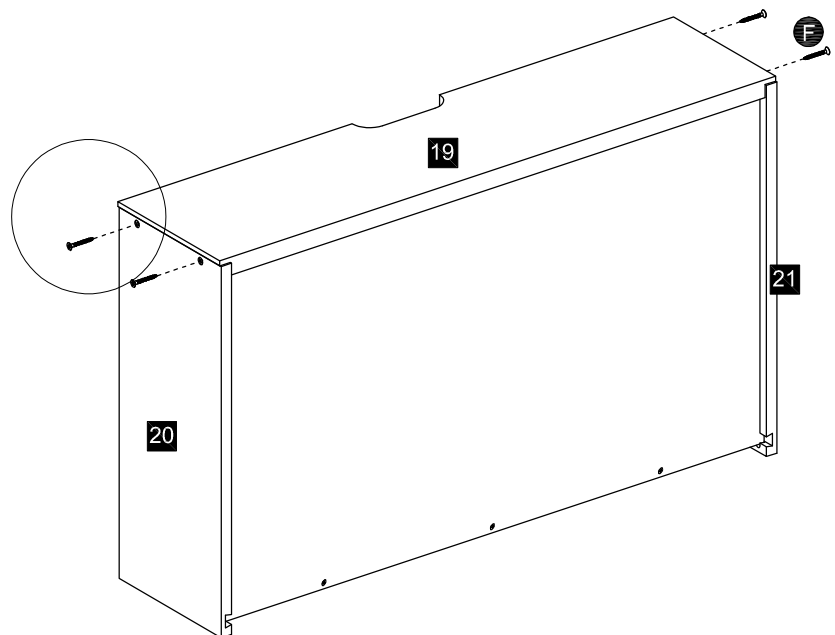
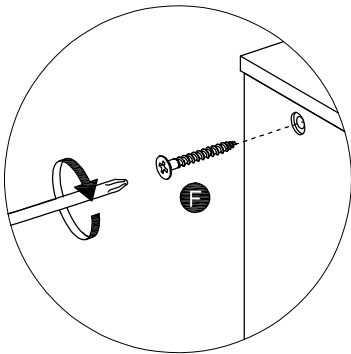
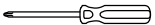
22 23 A



Step 4

Parts, fittings and tools

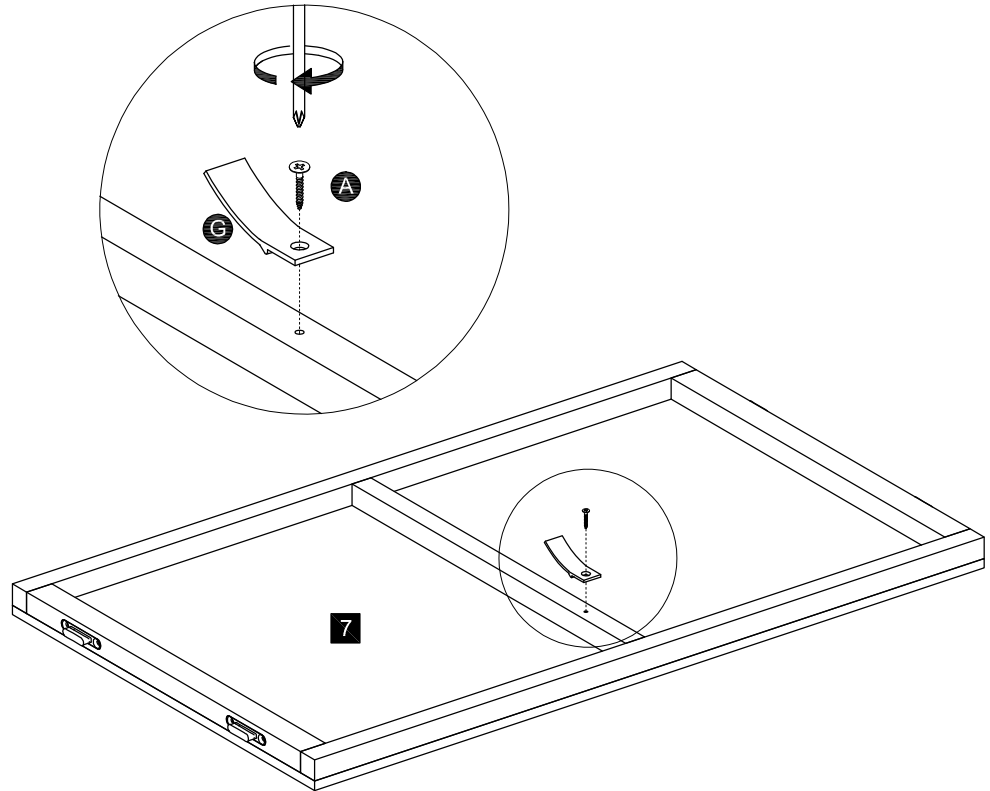
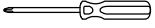
19 20 21 F



Step 5

Parts, fittings and tools

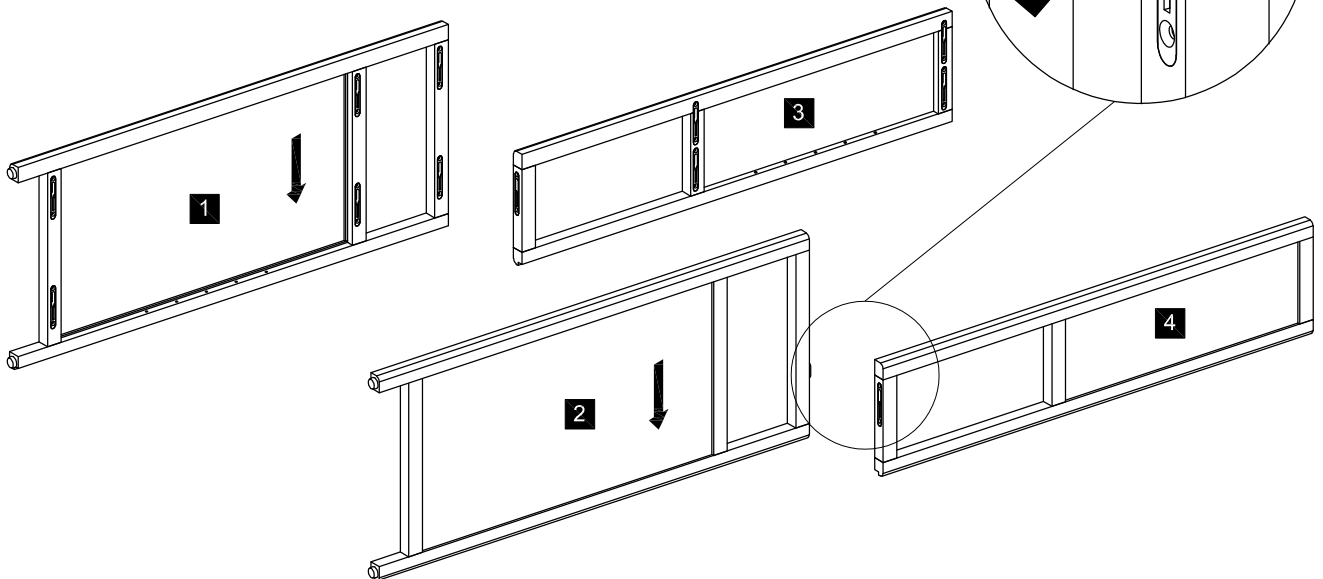
7 A G



Step 6

Parts, fittings and tools

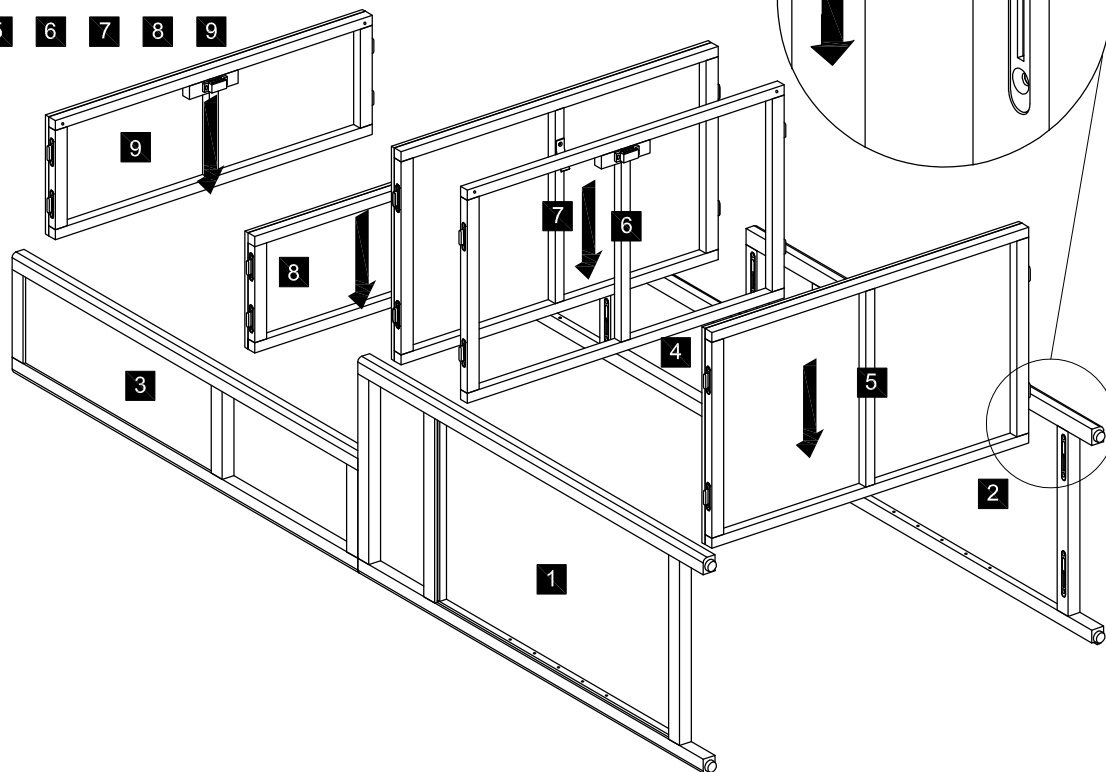
1 2 3 4



Step 7

Parts, fittings and tools

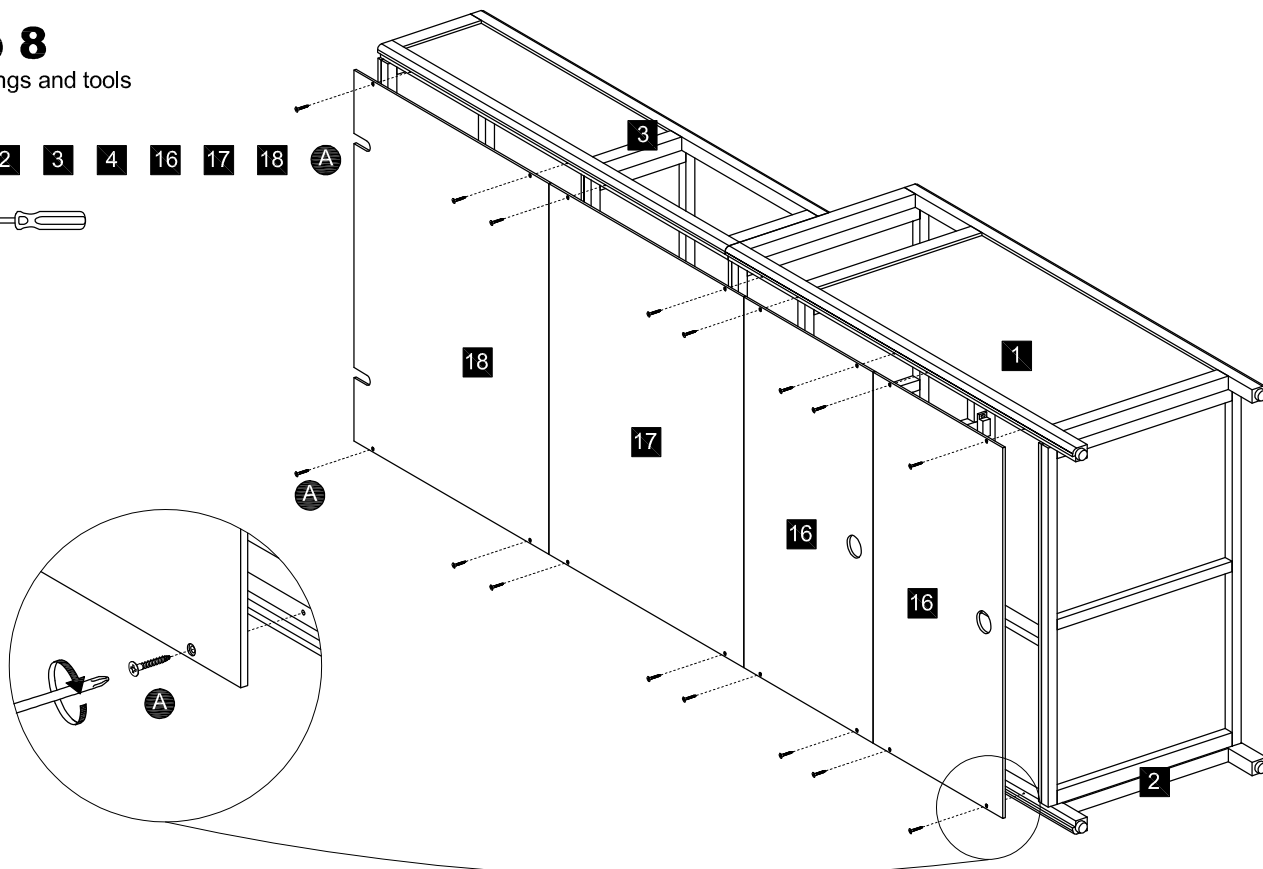
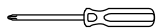
1 2 3 4 5 6 7 8 9



Step 8

Parts, fittings and tools

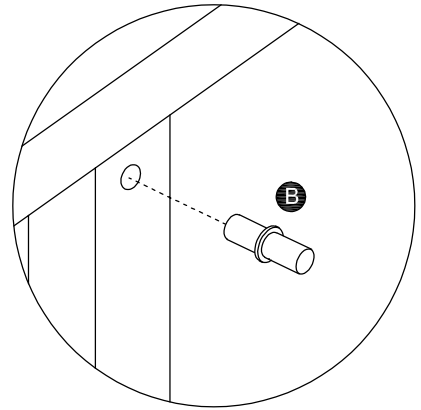
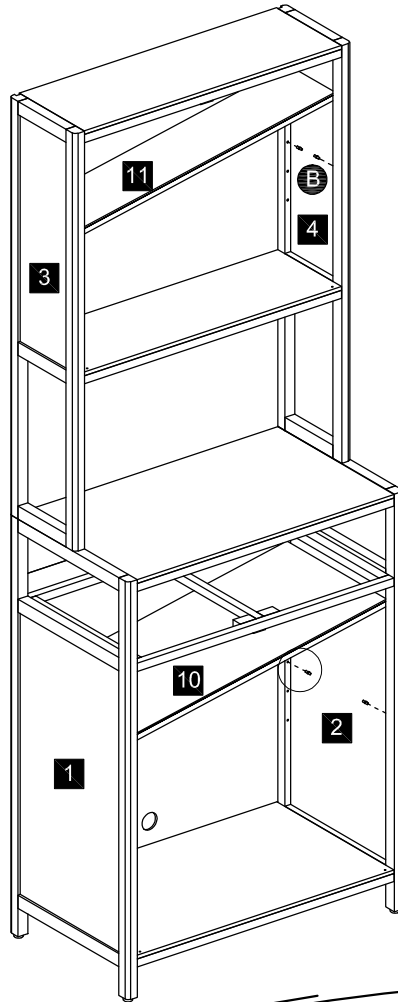
1 2 3 4 16 17 18



Step 9

Parts, fittings and tools

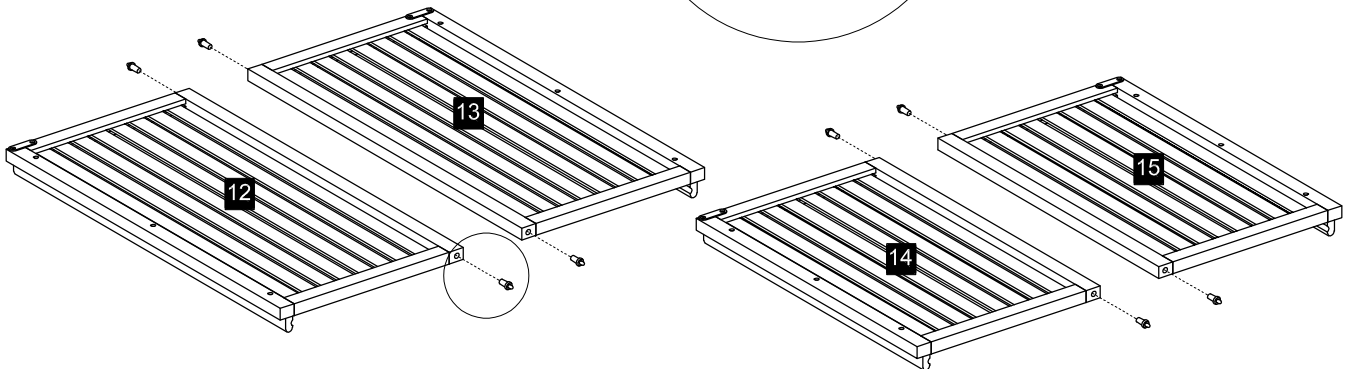
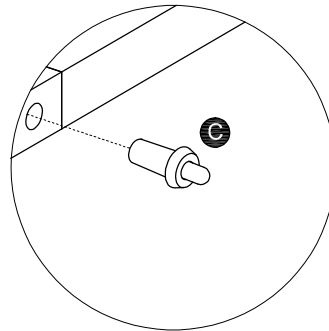
1 2 3 4 10 11 B



Step 10

Parts, fittings and tools

12 13 14 15 C

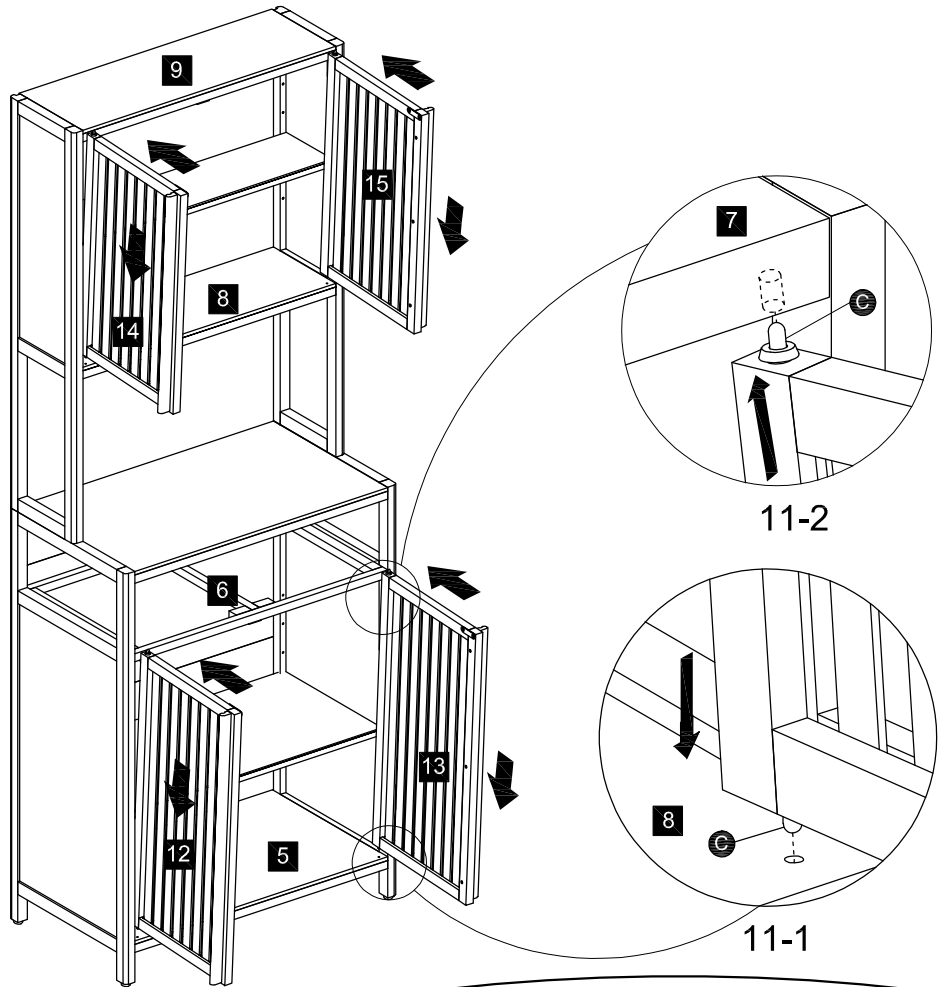


Step 11

Parts, fittings and tools

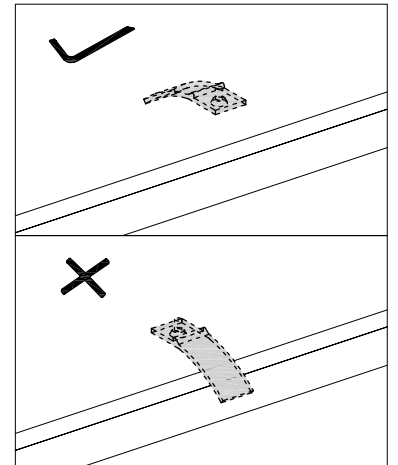
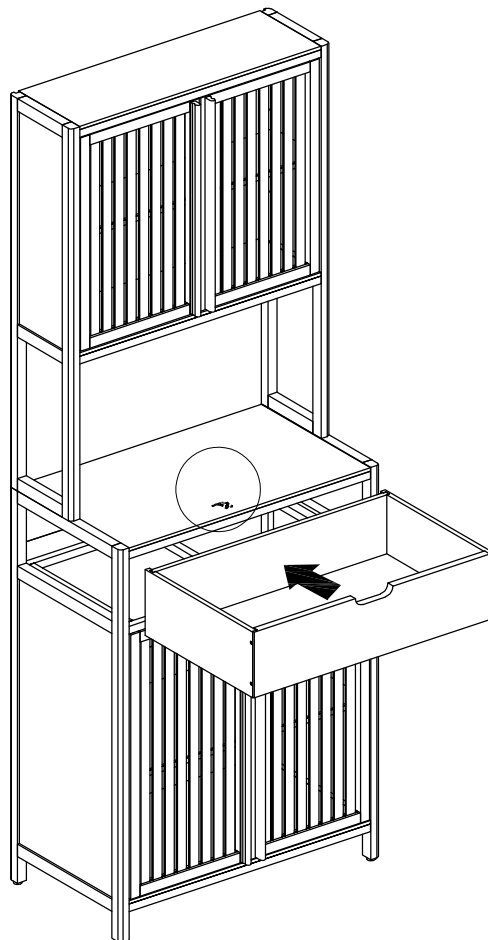
5 6 8 9

12 13 14 15



Step 12

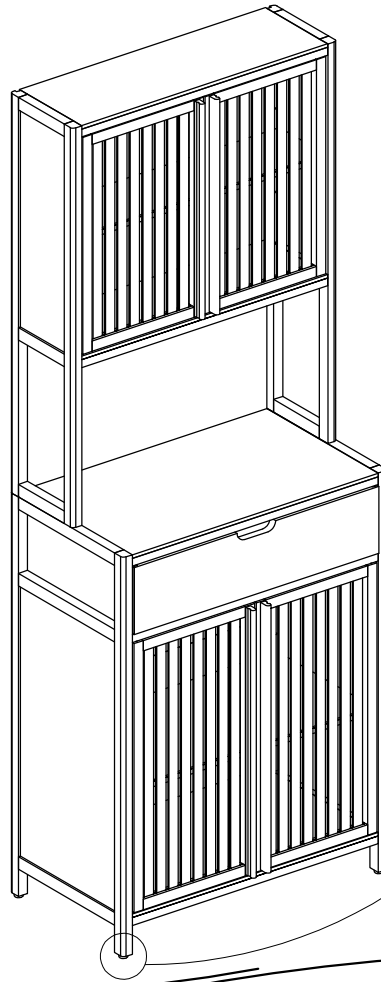
Parts, fittings and tools



Step 13

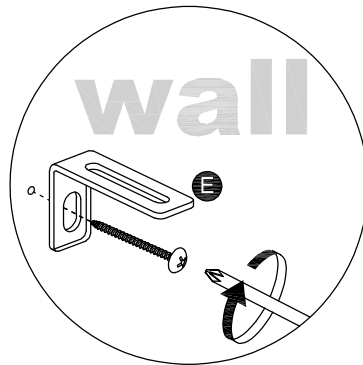
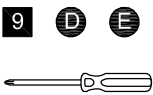
Parts, fittings and tools

Use adjustable leveler if necessary.

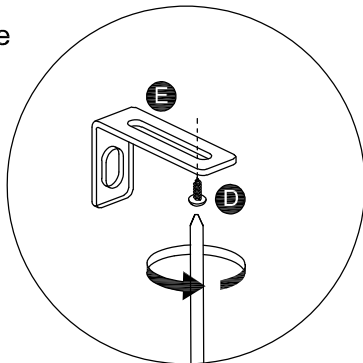


Step 14

Parts, fittings and tools



12-1



12-2

PLEASE NOTE: For your safety, to prevent the danger of this unit tipping over, it is important to attach the "L" shaped bracket to the wall using the correct wall fixing.

