



33 35TH STREET, INDUSTRY CITY BLDG.5, A405, BROOKLYN, NY 11232  
 T 212.355.0625 F 212.355.0628 WWW.OASIQ.COM



**215-CE Sectional, Center**

W 101 3/4" D 45 1/2" H 30 7/8"

AH 30 7/8" SH 9" OSH 13"

97.11 lbs

Teak & black PP webbing

Cushions: 215-CE-X

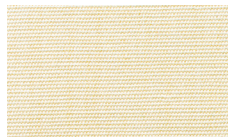
Seat cushion: L 25" W 29"/48" H 4" (2pcs/set)

Pillow: L 24" W 24" (5pcs/set)

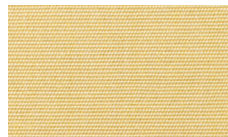
**FABRIC AVAILABLE FOR ASTOR, HAMILTON, MADISON, DELANCEY & LIMITED COLLECTIONS**



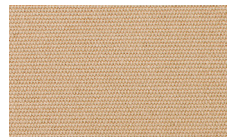
Canvas Natural 5404-0000



Canvas Vellum 5498-0000



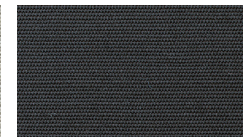
Canvas Wheat 5414-0000



Canvas Camel 5468-0000



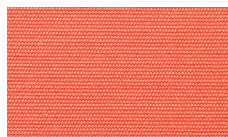
Canvas Granite 5402-0000



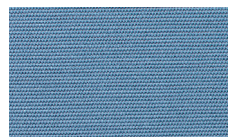
Canvas Black 5408-0000



Canvas Buttercup 5438-0000



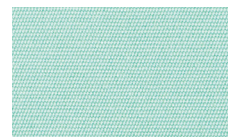
Canvas Melon 5415-0000



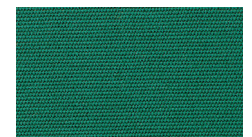
Canvas Sapphire Blue 5452-0000



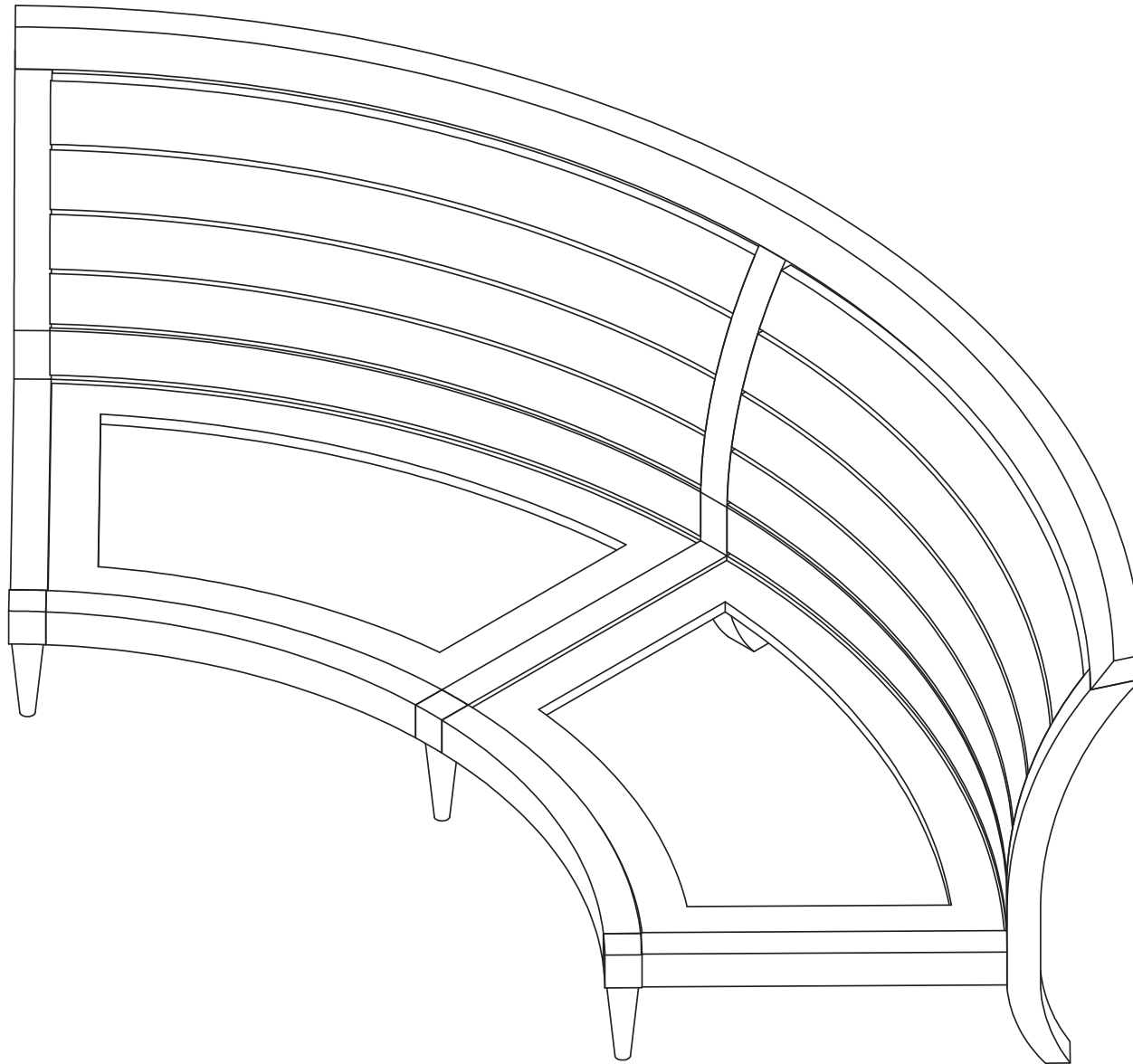
Canvas Sky Blue 5424-0000



Canvas Glacier 5428-0000



Canvas Forest Green 5446-0000



ISO VIEW

ISO

**OASIQ**

DWG.NO: FAEDG0002T-8

TITLE : ISO VIEW

DIM EXT: 1154x2583x783 MM.

MATERIAL: TAEK

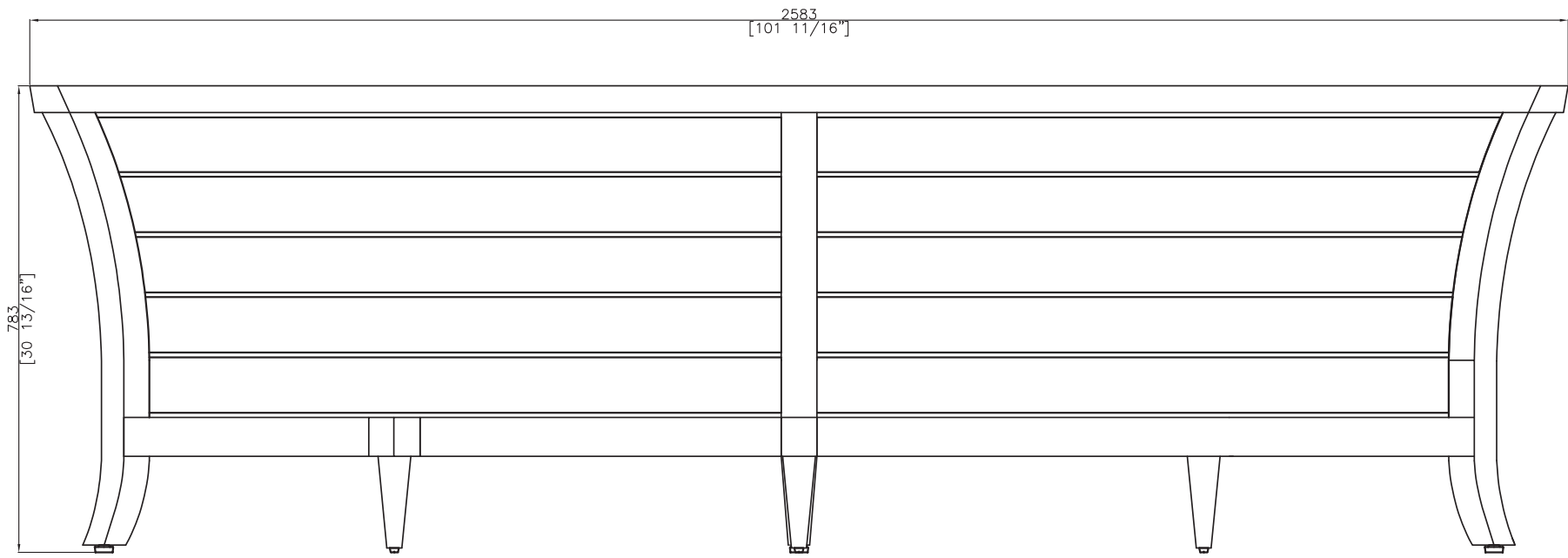
DRAWN BY : AEKCHAI

FINISH DATE :17-01-07  
BEGIN DATE :4-10-06

AEK  
AEK

SCALE : 1:1

P.3



FRONT

EF

**OASIQ**

DWG.NO: FAEDG0002T-8

TITLE : FRONT

DIM EXT: 1154x2583x783 MM.

MATERIAL: TAEK

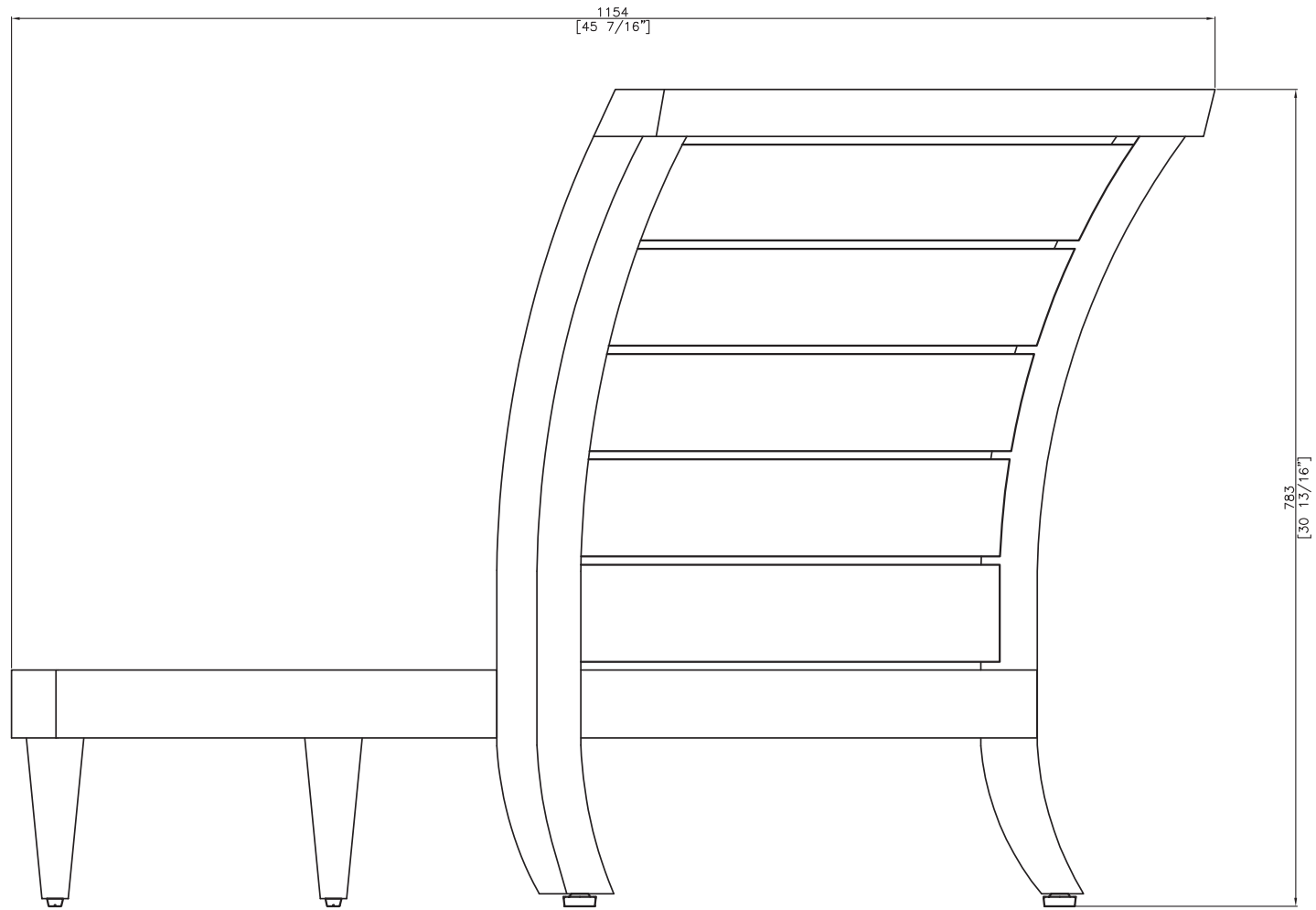
DRAWN BY : AEKCHAI

FINISH DATE :11-06-07  
BEGIN DATE : 4-10-06

AEK  
AEK

SCALE : 1:1

P.5



SIDE

ES

**OASIQ**

DWG.NO: FAEDG0002T-8

TITLE : SIDE

DIM EXT: 11154x2583x783 MM.

MATERIAL: TAEK

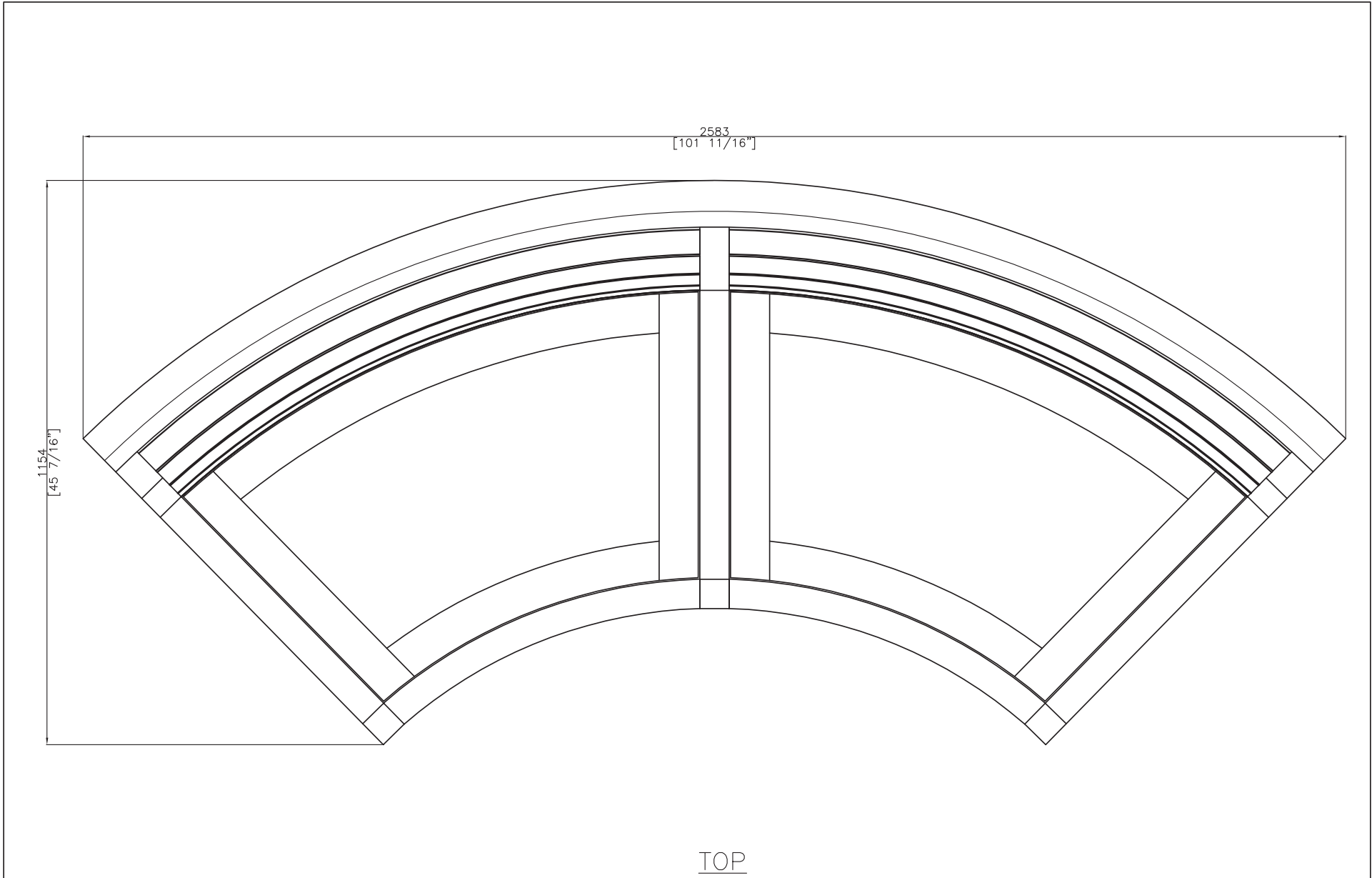
DRAWN BY : AEKCHAI

FINISH DATE :11-06-07  
BEGIN DATE :4-10-06

AEK  
AEK

SCALE : 1:1

P.6



TOP

ET

<b>OASIQ</b>	DWG.NO: FAEDG0002T-8	TITLE : TOP	DIM EXT: 1154x2583x783 MM.	MATERIAL: TAEK	DRAWN BY : AEKCHAI	FINISH DATE :17-01-07	AEK	SCALE : 1:1	P.4
						BEGIN DATE : 4-10-06	AEK		