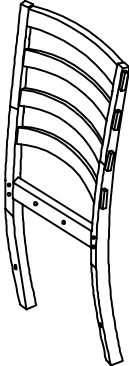


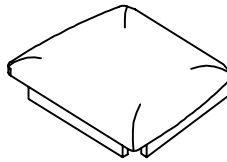
ASSEMBLY INSTRUCTION

DO NOT FULLY TIGHTEN BOLTS UNTIL THE ENTIRE ITEM IS COMPLETELY ASSEMBLED

A=1PC



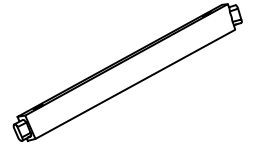
B=1PCS



C=2PCS

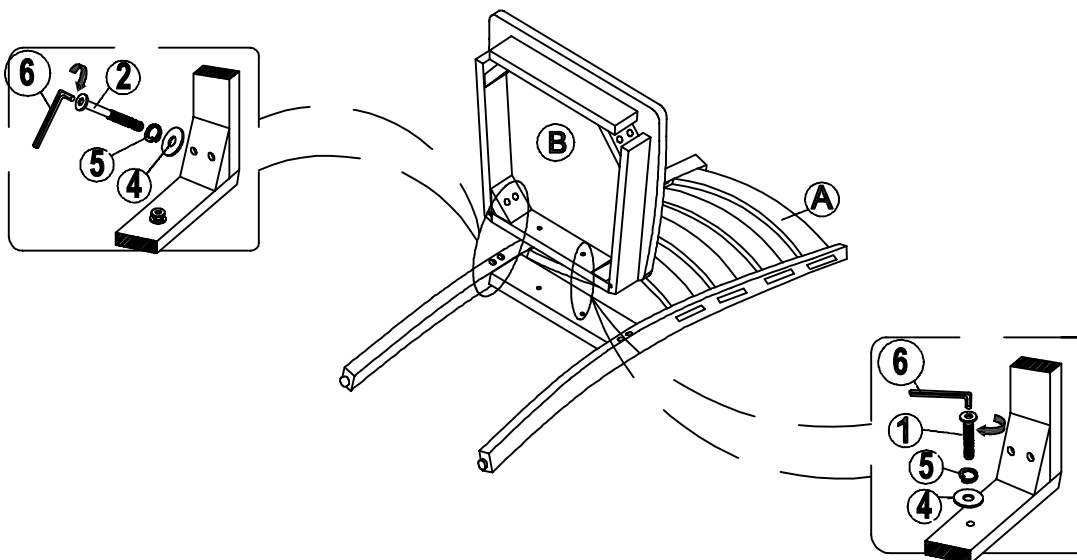


D=2PCS

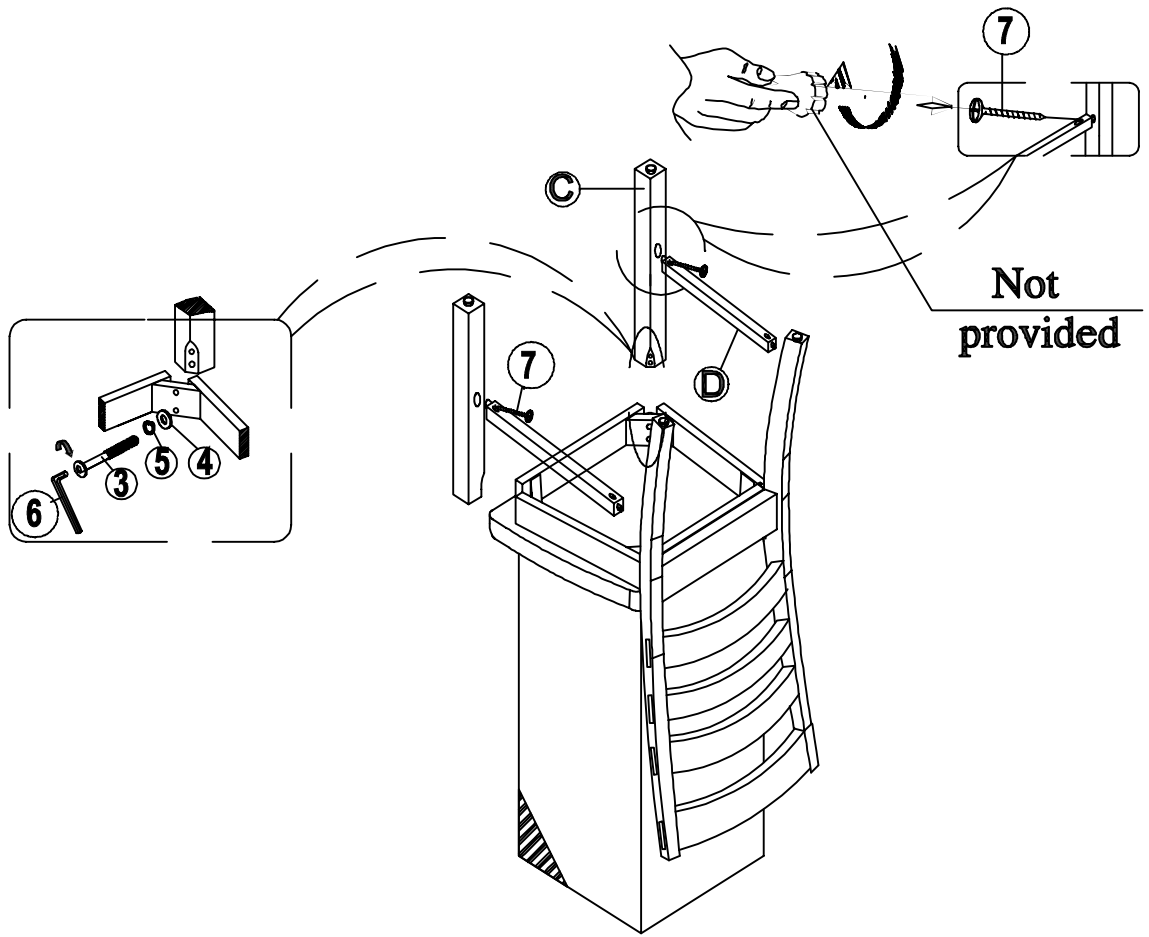


No.	Description.		Q.Ty
1	BOLT Ø 5/16" x 38mm		02 Pcs
2	BOLT Ø 5/16" x 75mm		04 Pcs
3	BOLT Ø 5/16" x 50mm		04 Pcs
4	FLAT WASHER		10 Pcs
5	SPRING WASHER		10 Pcs
6	ALLEY KEY		1 Pcs
7	SCREW Ø1/6" x 42mm		4 Pcs

STEP 1



STEP 2



COMPLETTELY

