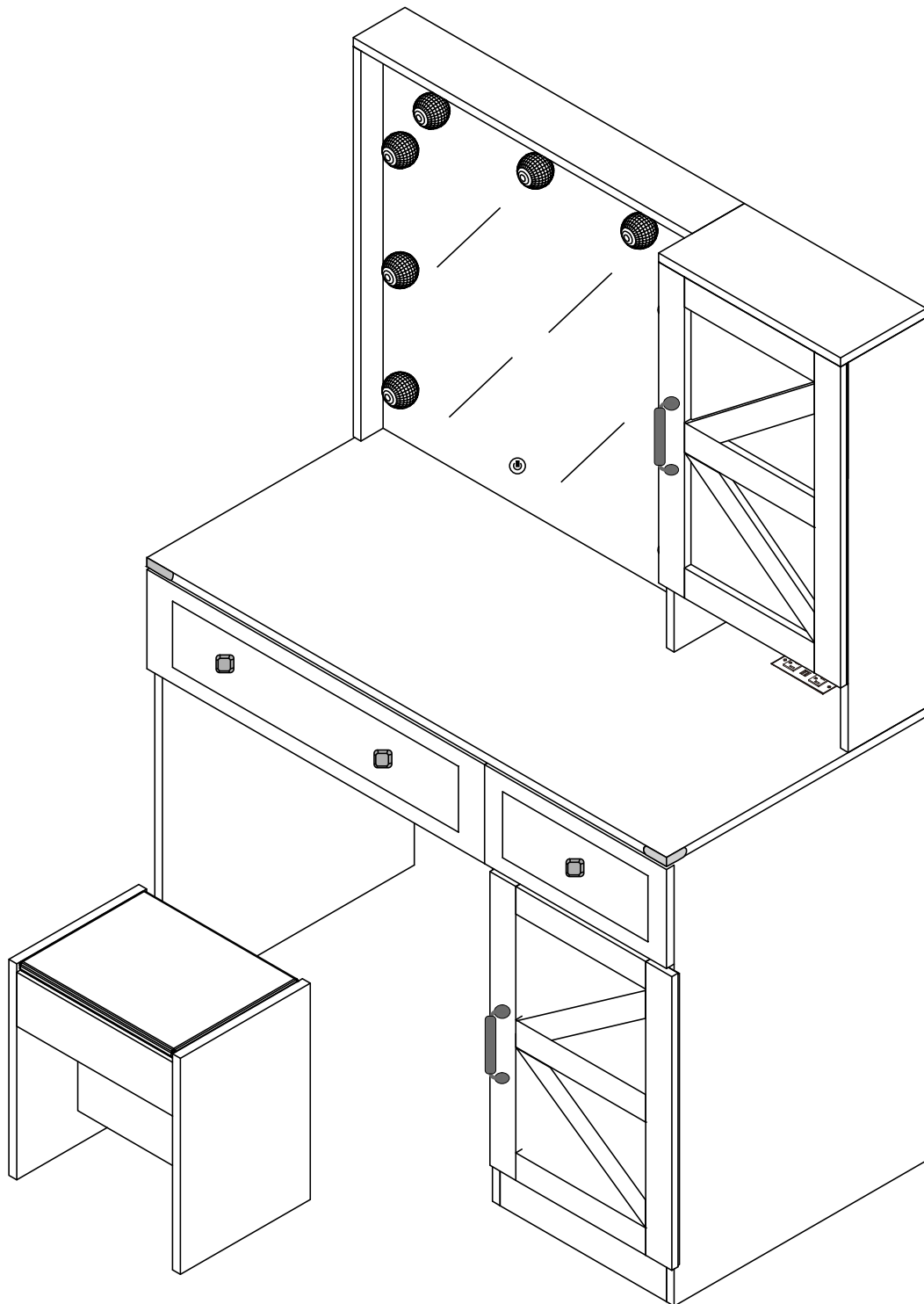
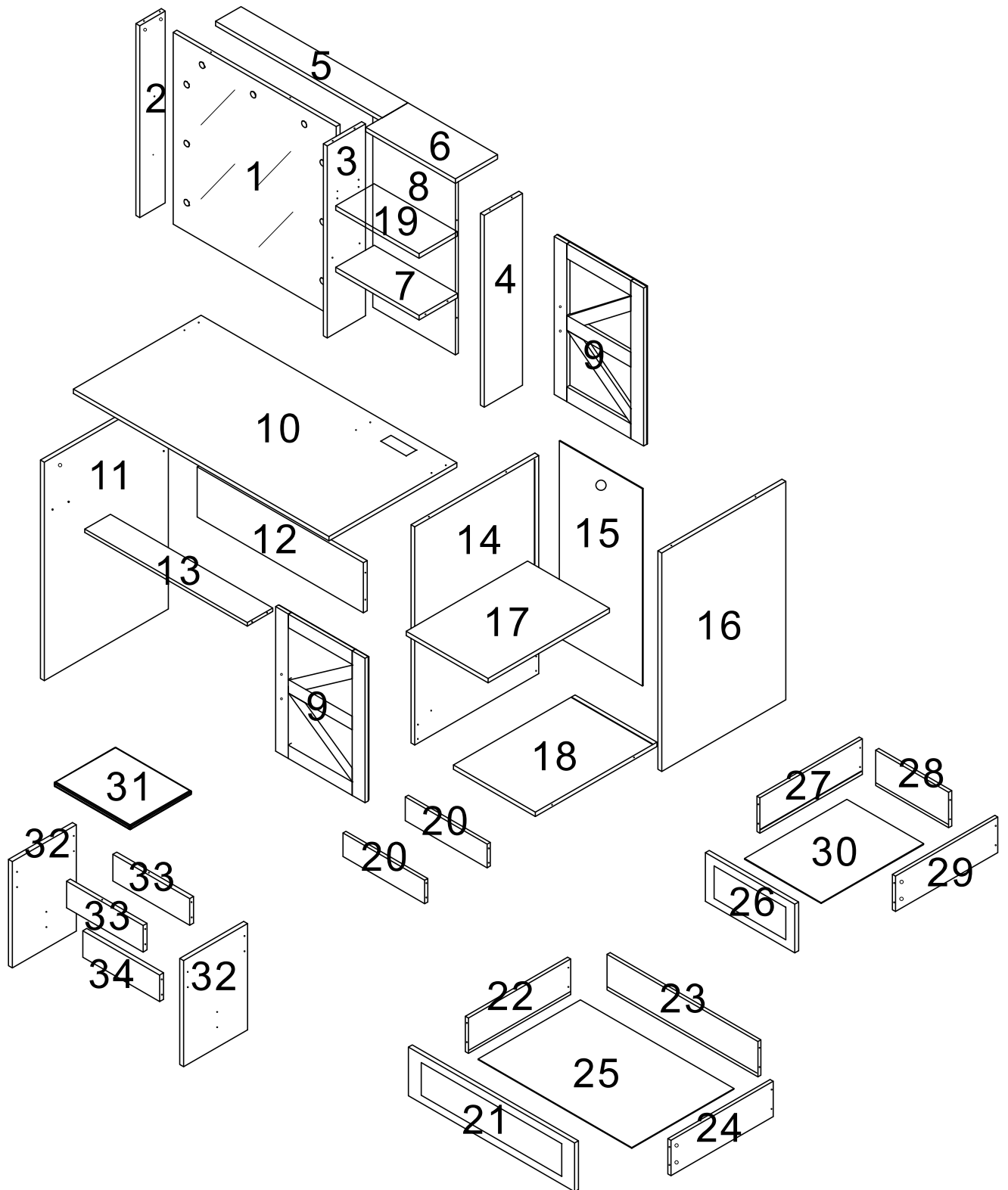


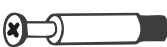


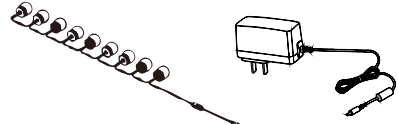
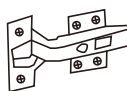

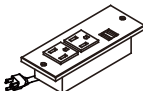
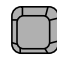





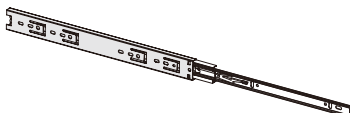


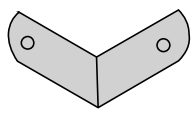
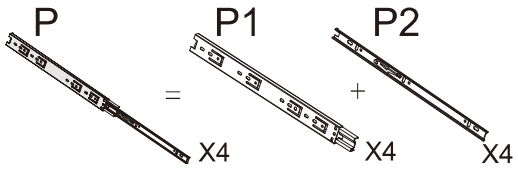


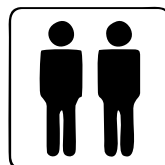
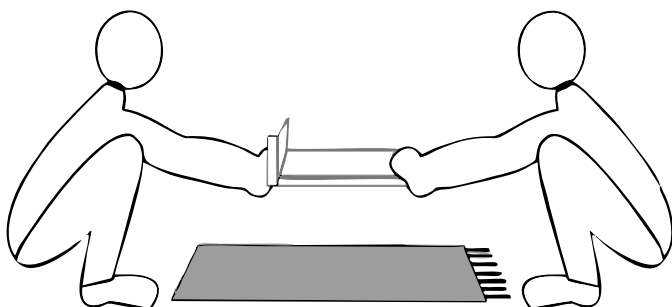
Assembly Instruction



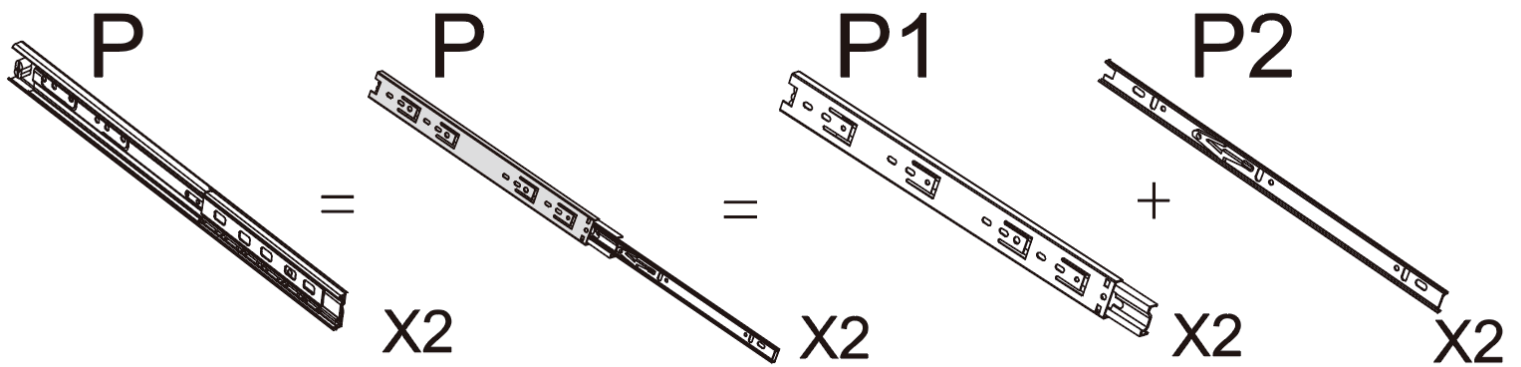


HARDWARE LIST

A  X 8	B  X 8
C  X 54	D  X 54
E  M4X16mm X 3	F  X 1
G  X 4	H  X 22
I  X 1	J  X 3
K  X 2	L  M4X18mm X 4
M  X 46	N  X 2
O  X 8	P  X 4
Q  X 1	R  X 4
S  X 2	



The accessory P can be divided into P1+P2 and decomposed as follows



Remove P fitting



Pull out the bottom of the slide as shown in the figure



Continuous pumping



Draw to the end.



The plastic part is lifted upwards and then pulled out

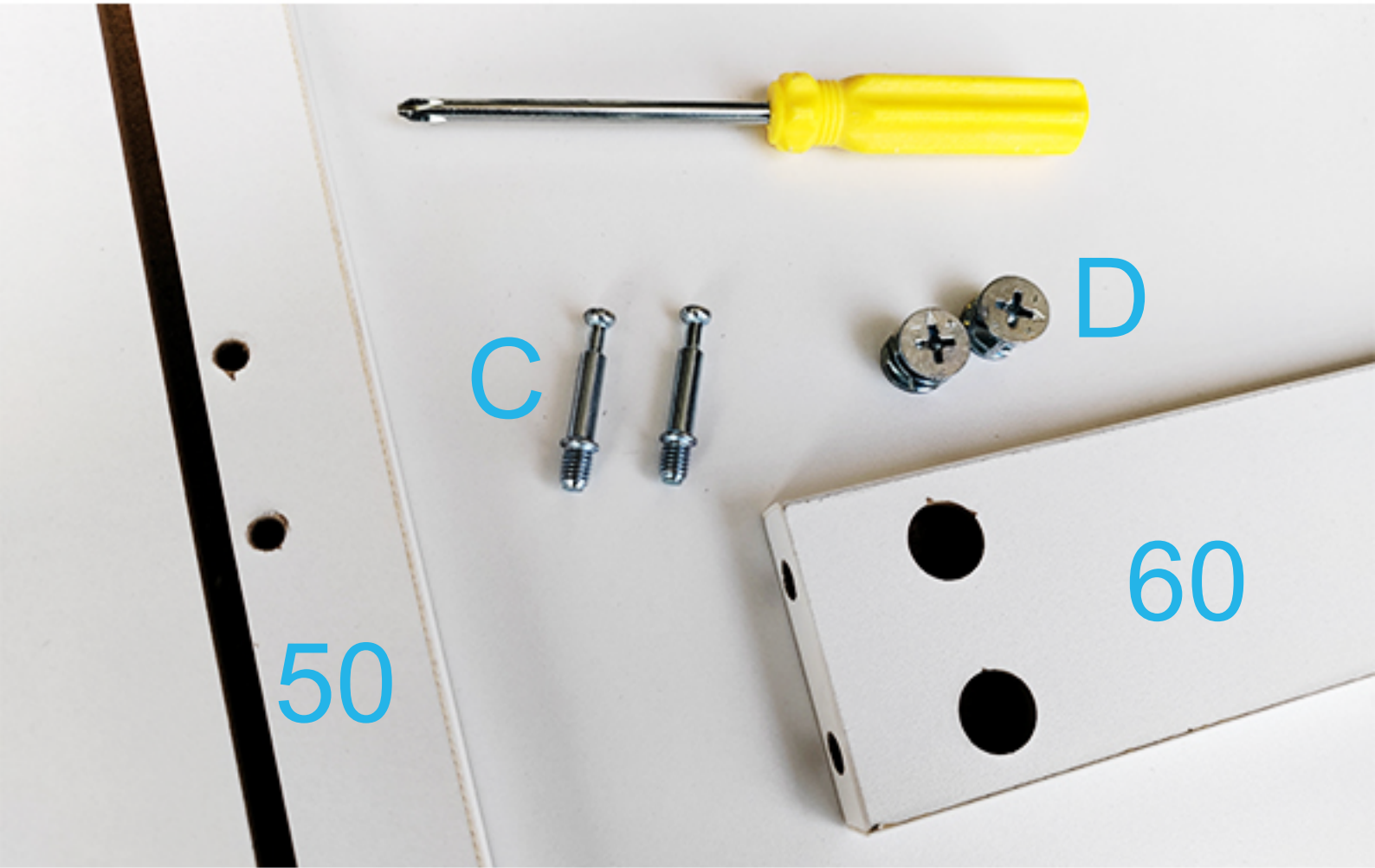
Pull it straight out.



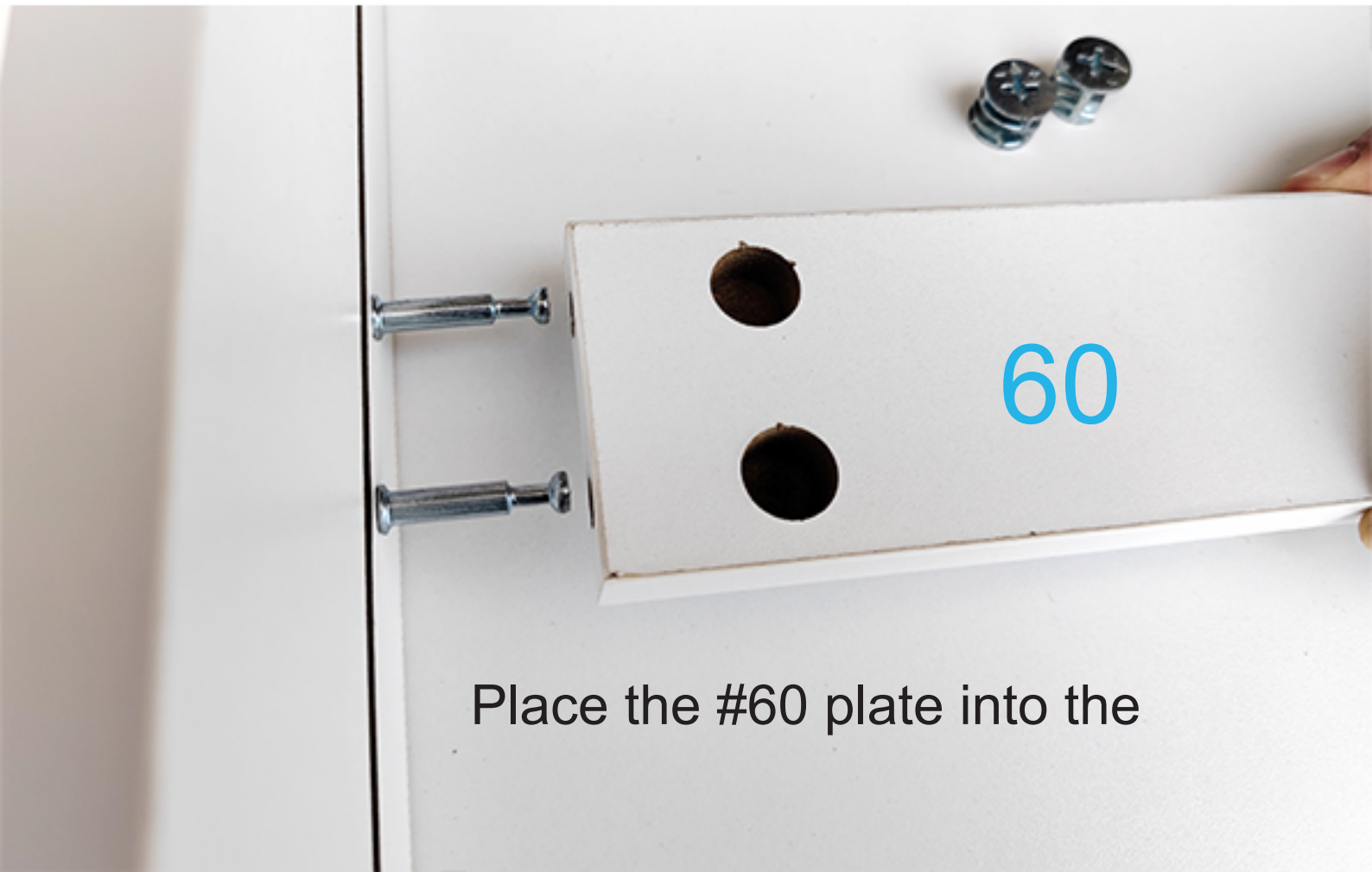
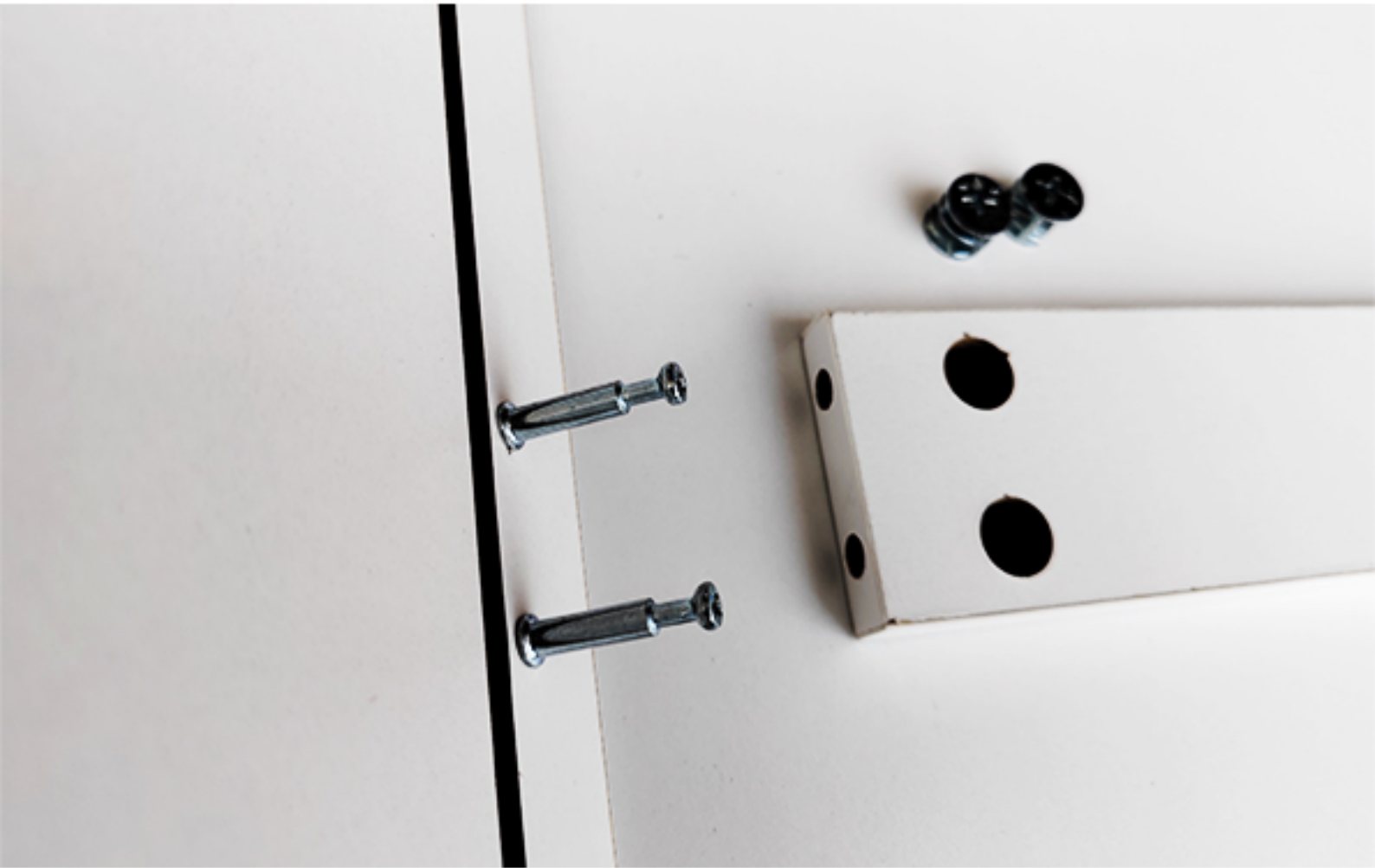
P1

P2

C, D accessories assembly tutorial (How to use accessories)



After mounting as shown in the picture



Place the #60 plate into the

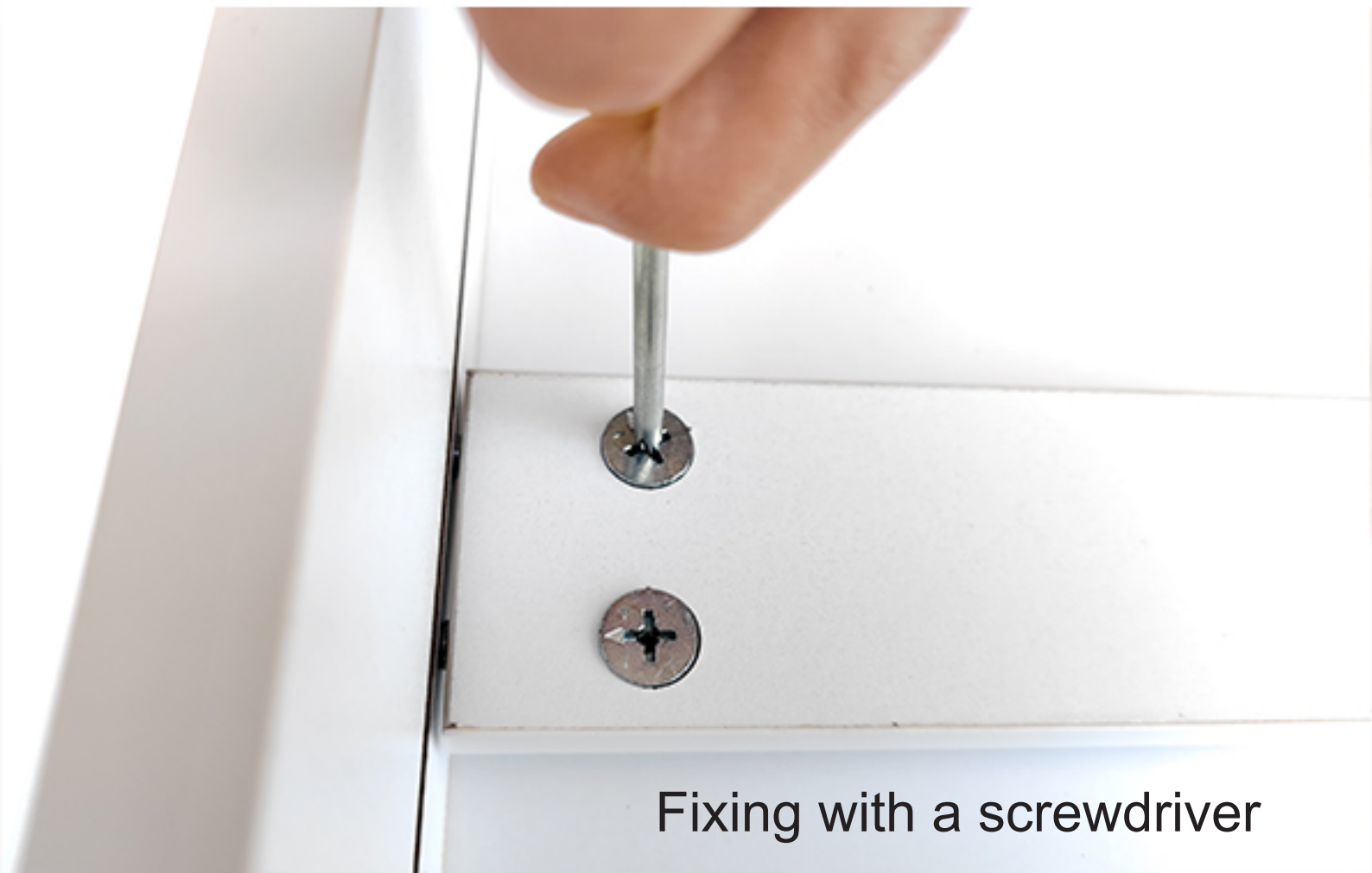


Put it in place as shown in the picture



Place accessory D into the corresponding hole

Put it in place as shown in the picture



Fixing with a screwdriver

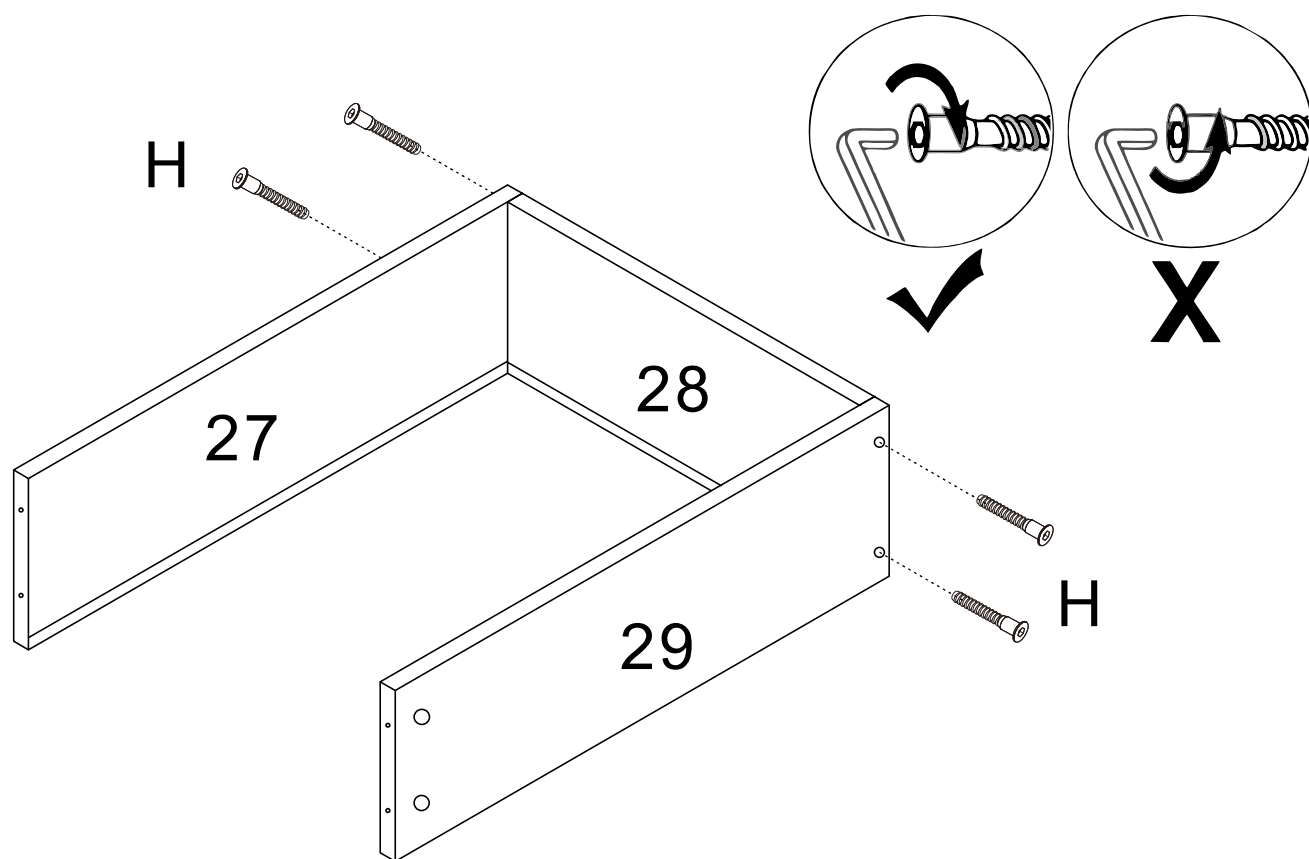
A close-up photograph of a white wooden joint. A vertical piece of wood is attached to a horizontal piece. Two silver screws are visible, securing the joint. A black trim strip is attached to the horizontal piece. The background shows a concrete surface.

60

Fixed as shown in the picture

50

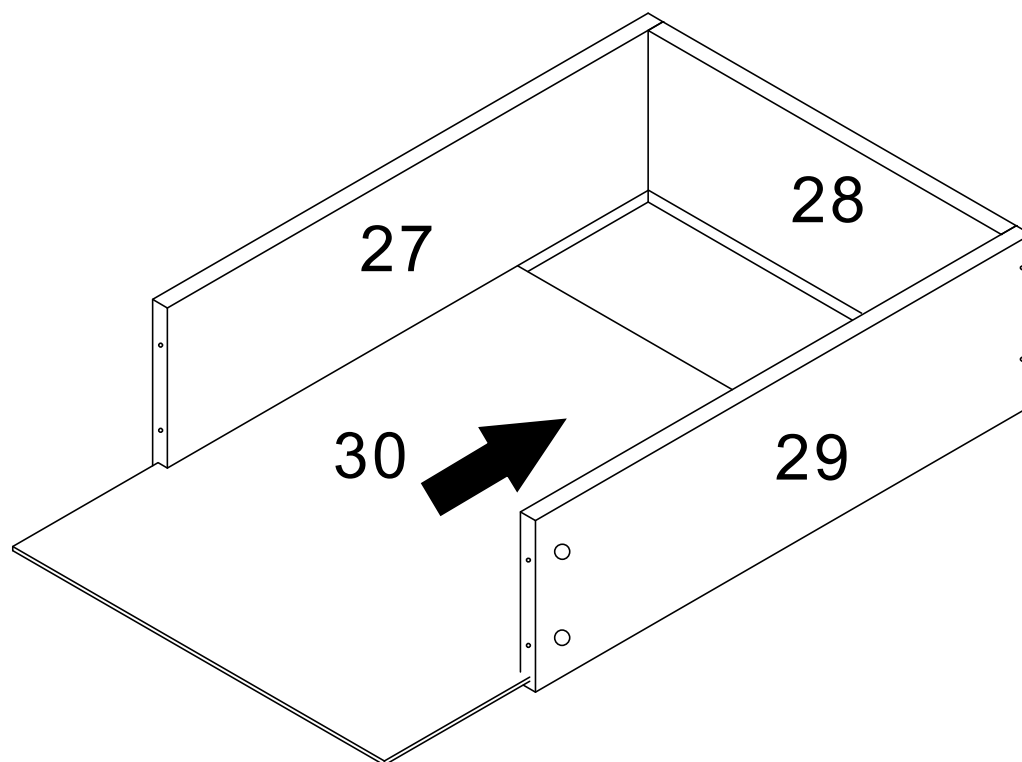
STEP 1



27, 28, 29 three parts connected by 4*H

H X 4

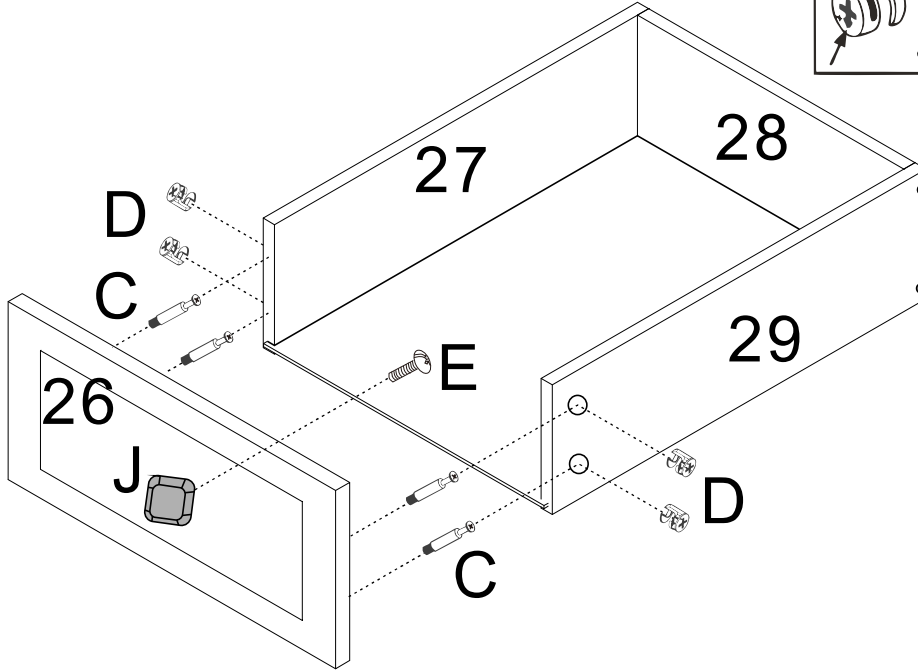
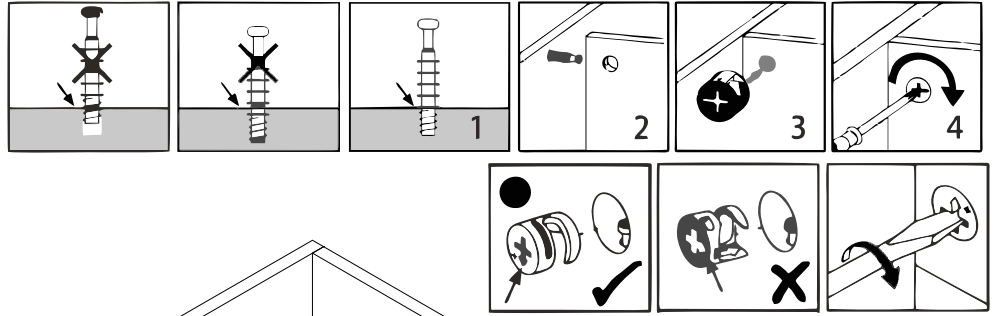
STEP 2



As shown, snap board 30 into the groove.

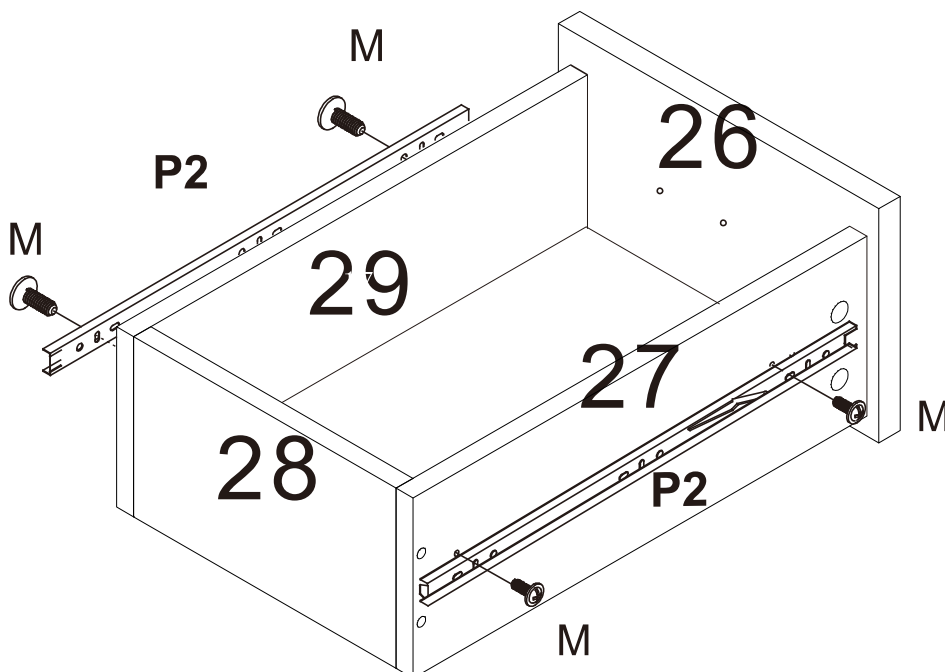
STEP 3

Lock the 4*C into the board 26, put them into the objects grouped in step 2, And then fixed with D fittings, and then fix the handle J through the E fitting.



C X 4
D X 4
J X 1
E X 1

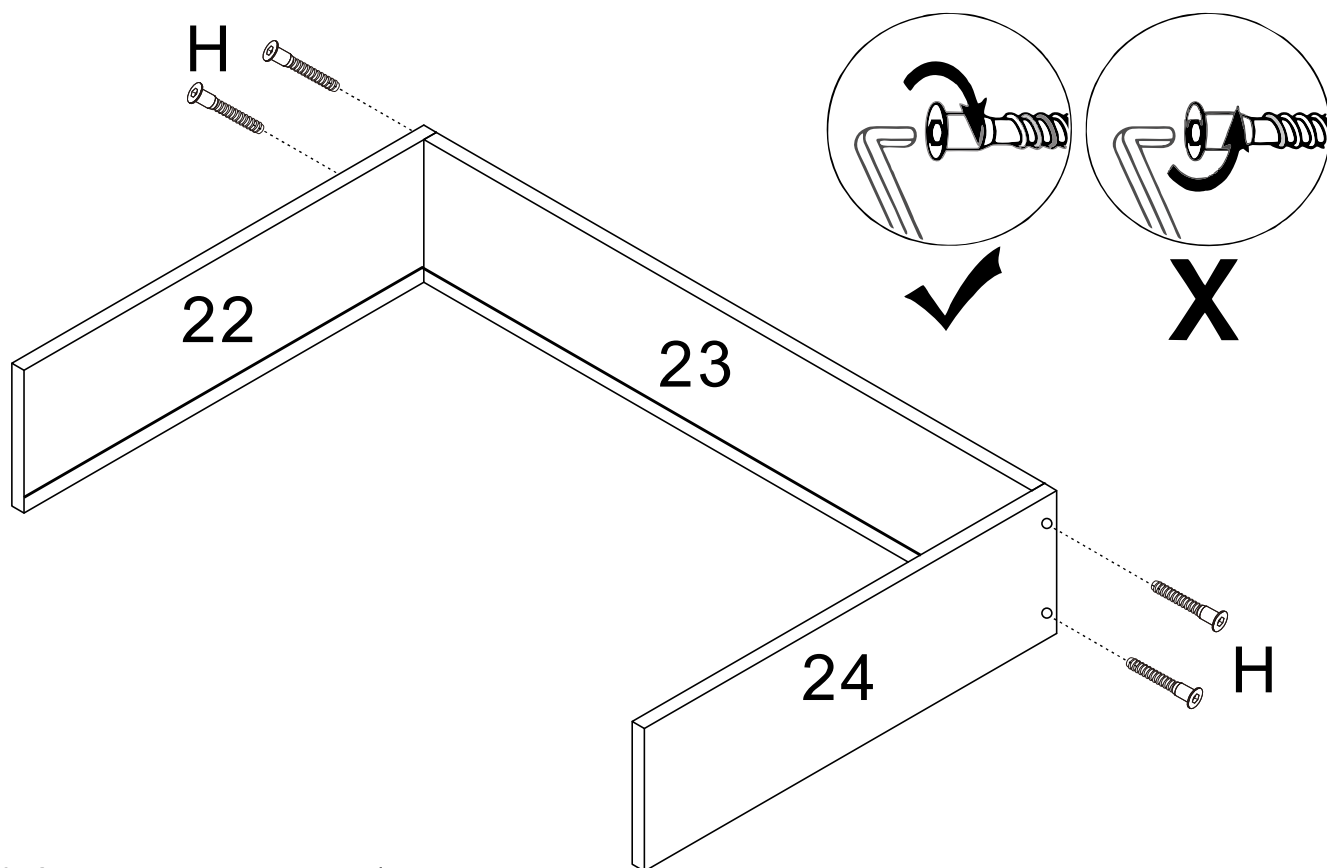
STEP 4



M X 4
P2 X 2

Fix fitting P2 to the drawer by M, the holes as shown in the figure

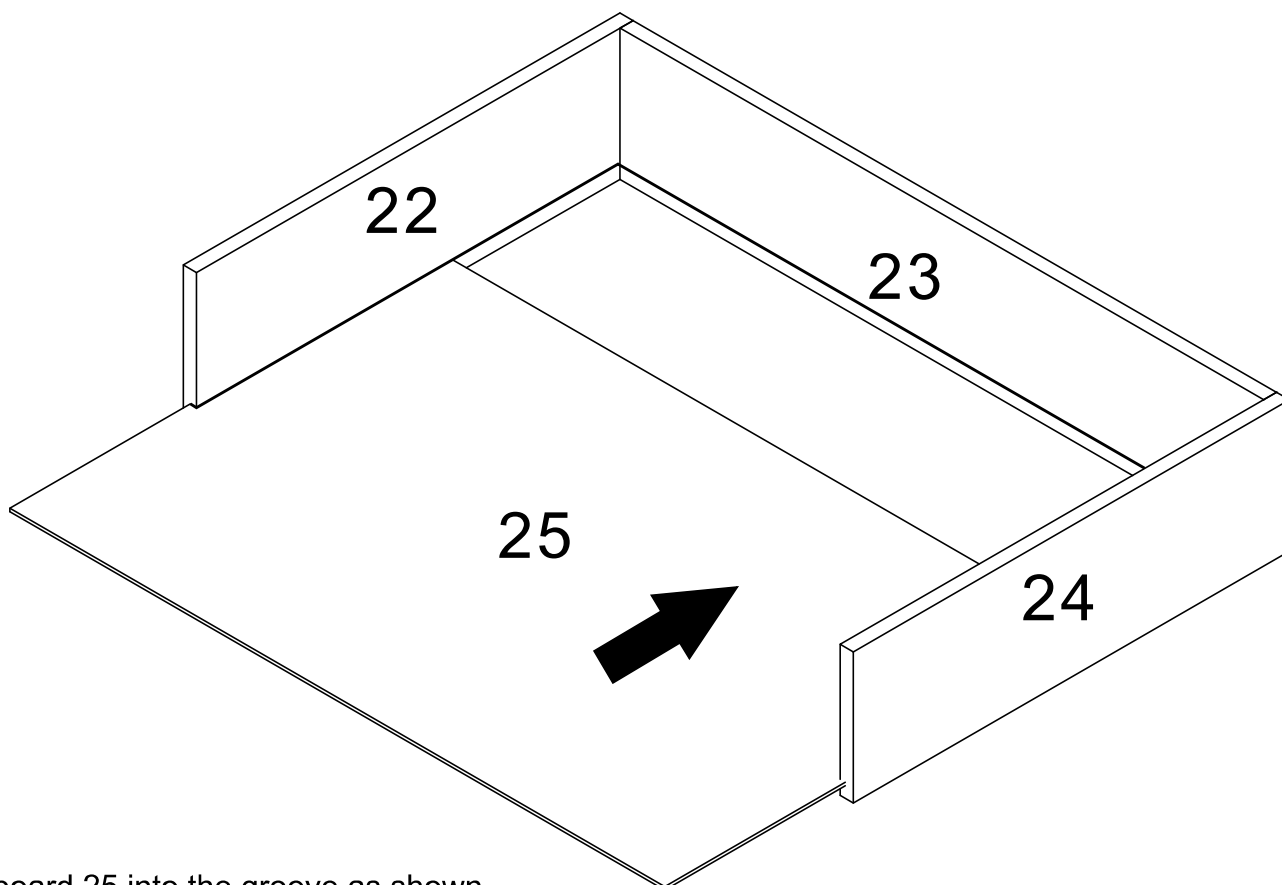
STEP 5



22, 23, 24 parts connected by 4*H

H X 4

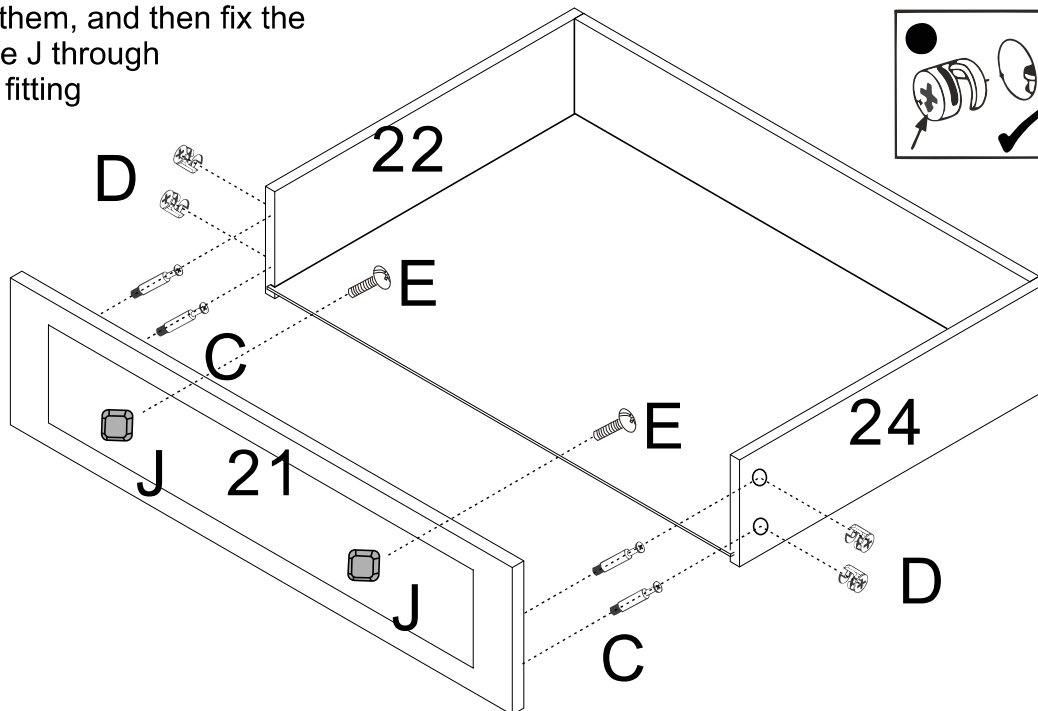
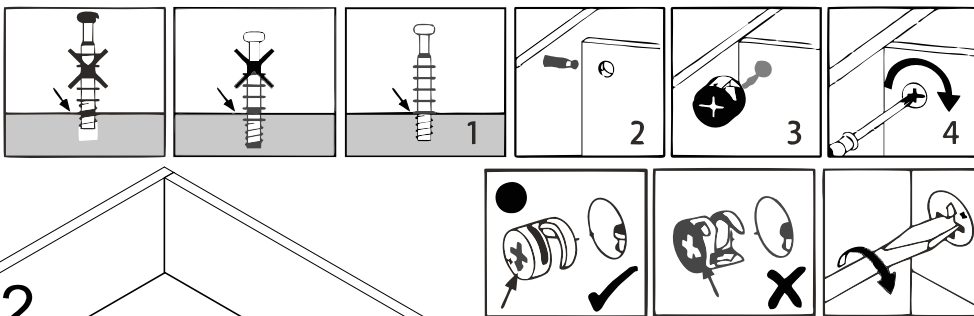
STEP 6



Snap board 25 into the groove as shown

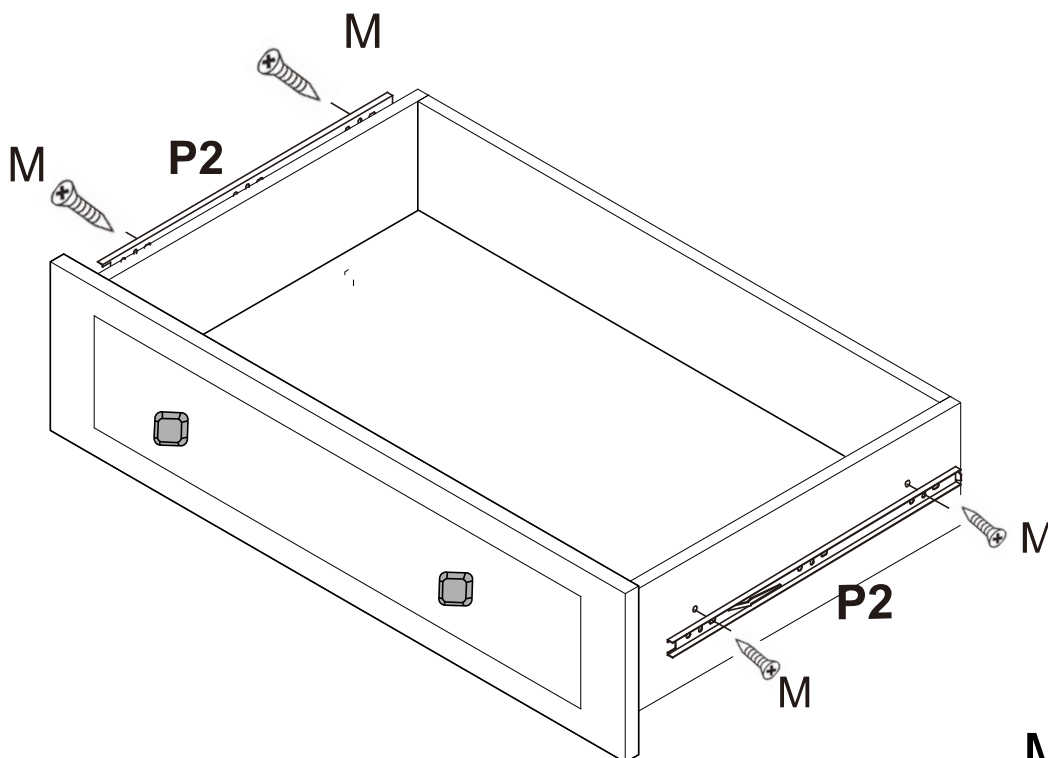
STEP 7

Lock the 4*C into board 21, put them into the objects grouped in step 6, then screw the D parts into place to fix them, and then fix the handle J through the E fitting



C X 4
D X 4
J X 2
E X 2

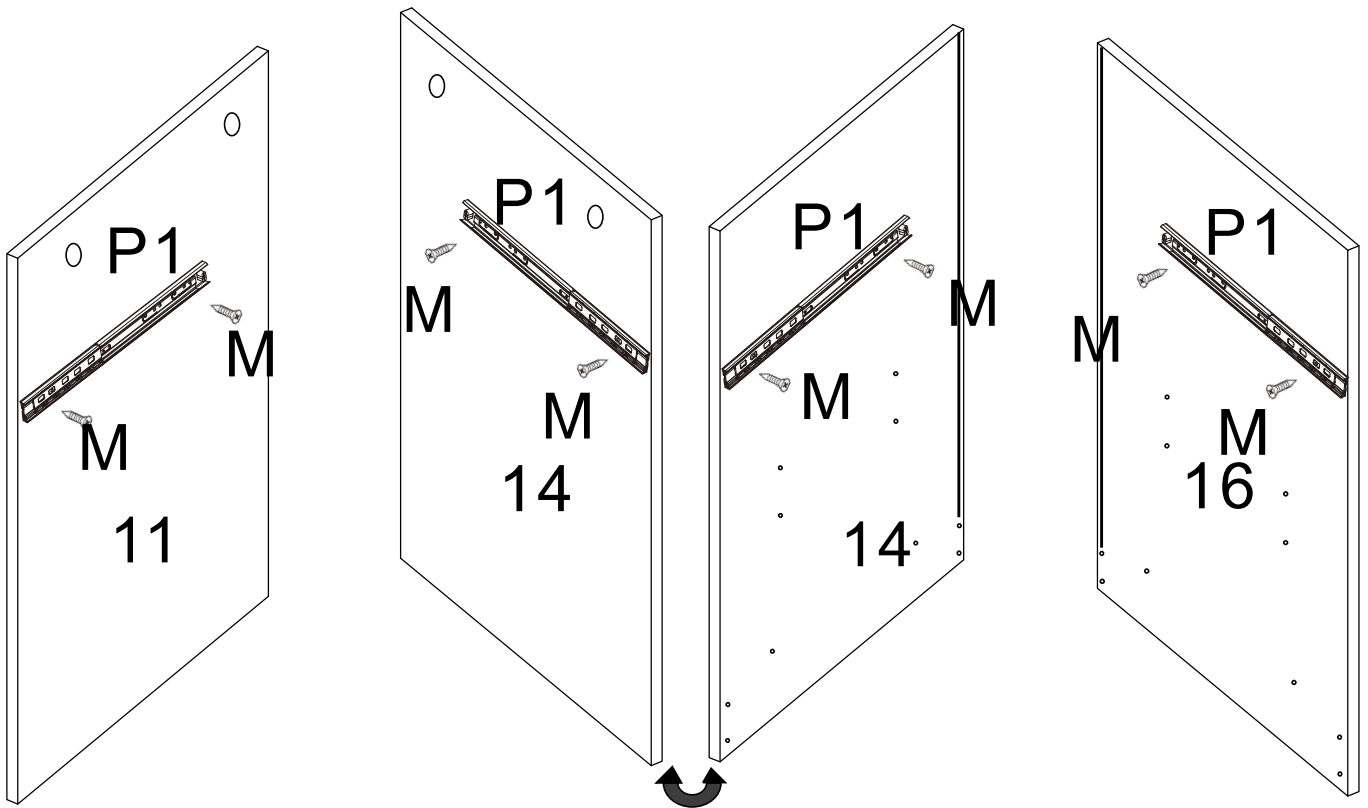
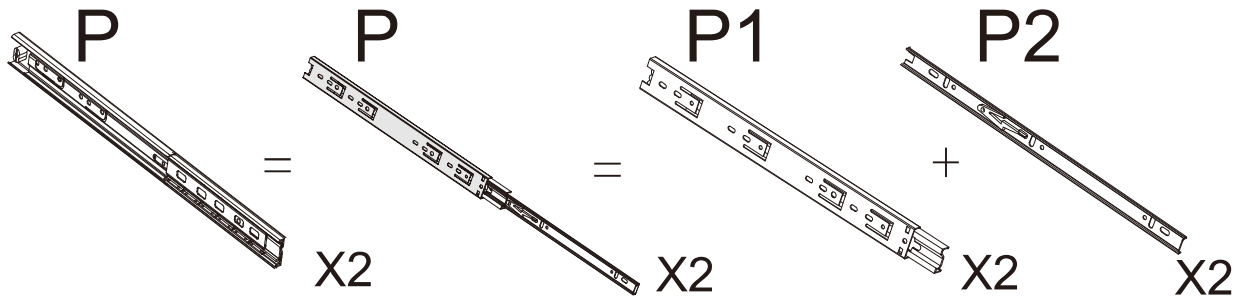
STEP 8



Fix fitting P2 to the drawer by M, the holes as shown in the figure

M X 4
P2 X 2

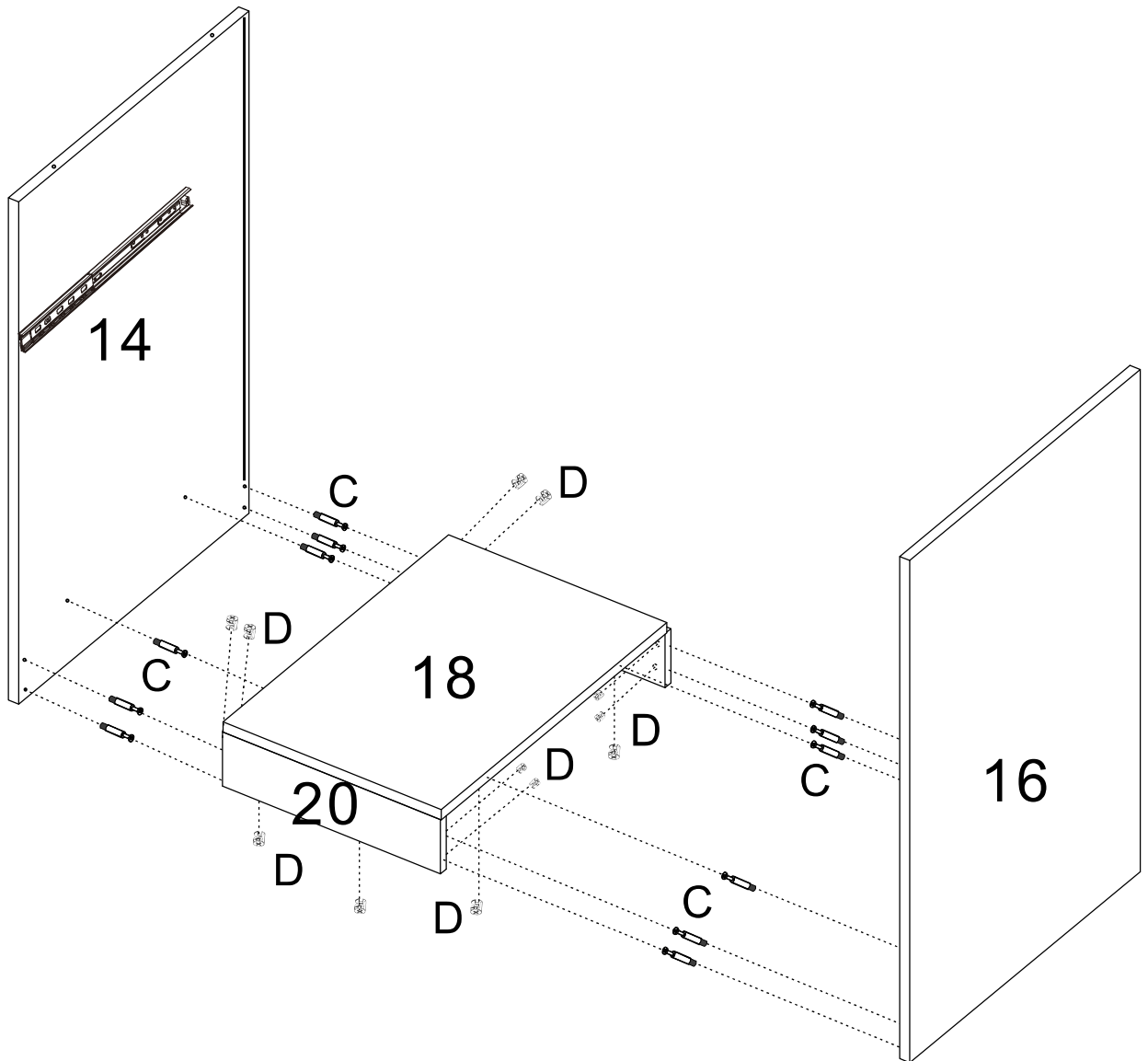
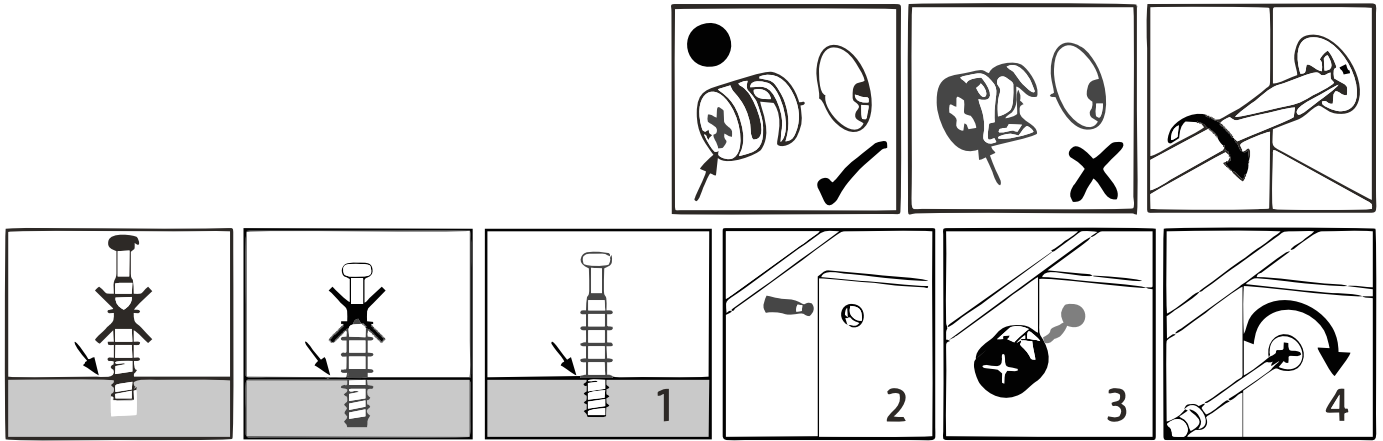
STEP 9



Install P1 into boards 11, 14, 16 through M

Mx8
P1X4

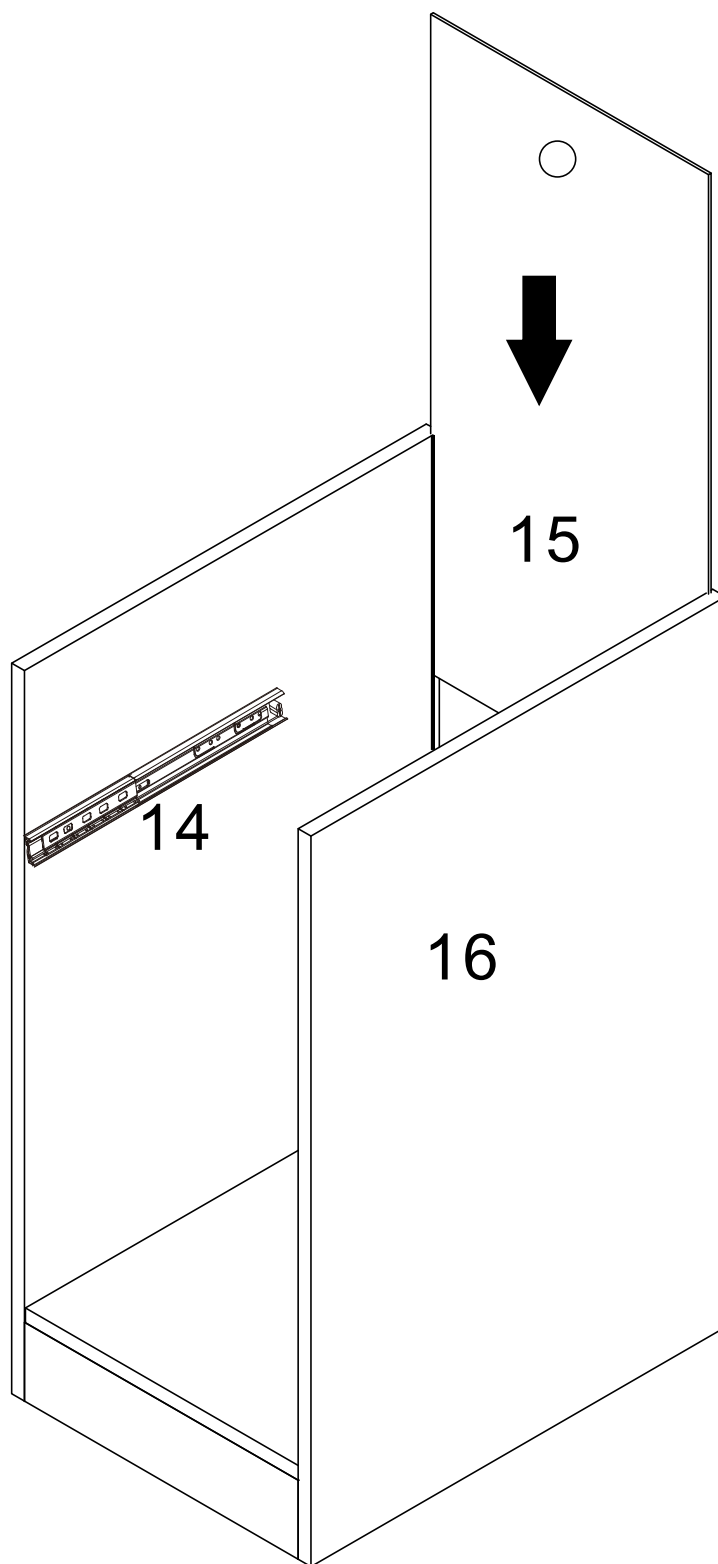
STEP 10



Take 12*C and lock it into boards 14 and 16, snap boards 18 and 20 into the center of boards 14 and 16 and fix them with D fittings

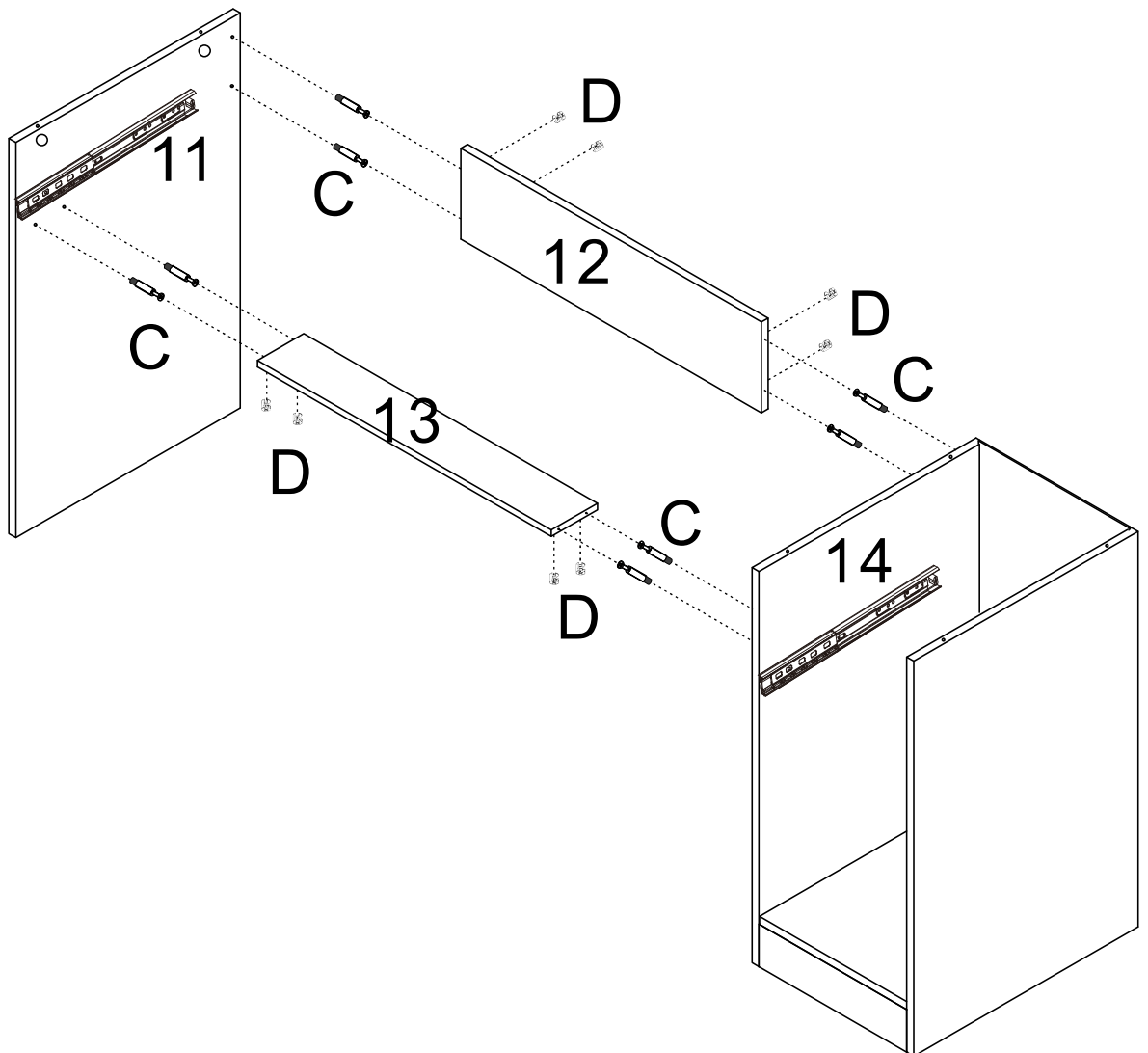
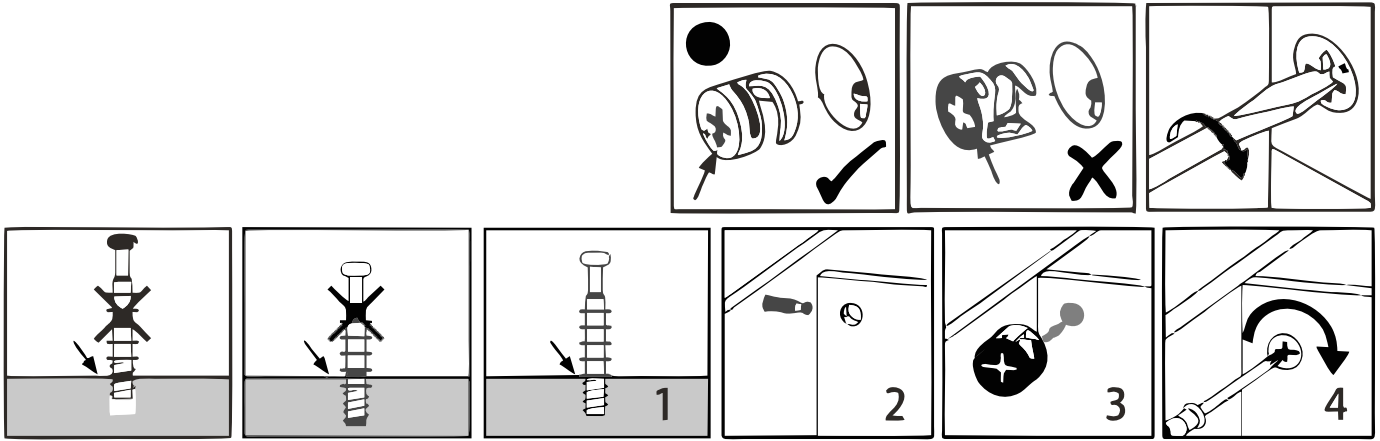
Cx12
Dx12

STEP 11



Board 15 snaps in as shown

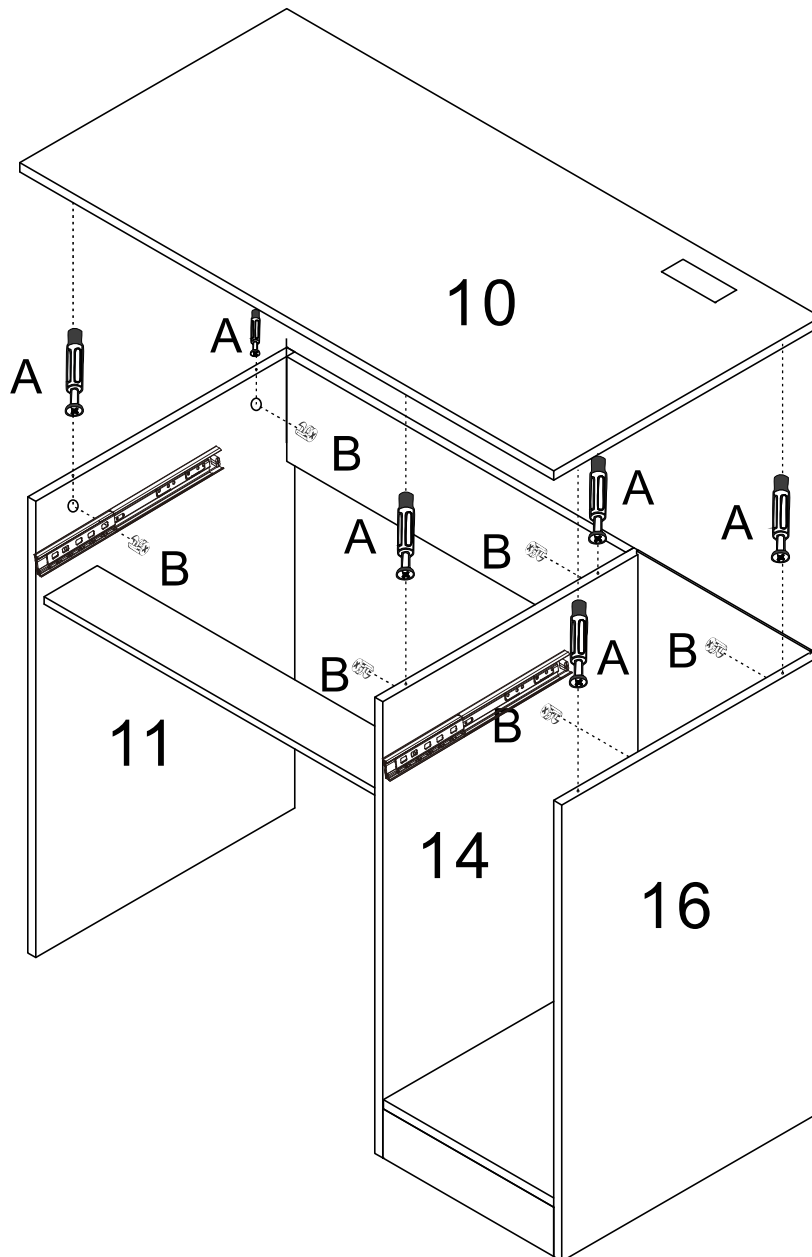
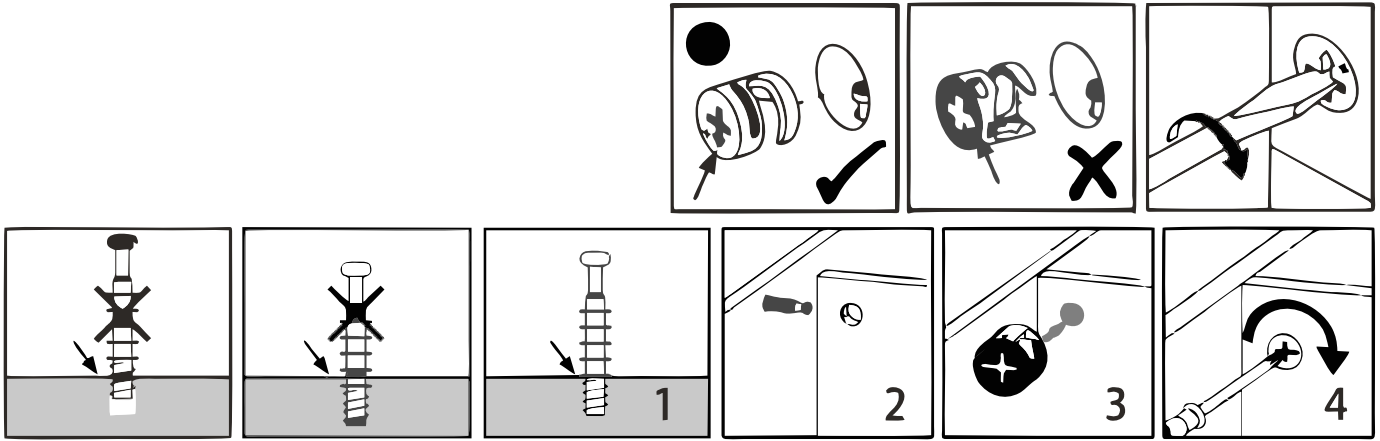
STEP 12



Take 8*C and lock it into boards 11 and 14, snap boards 12 and 13 into the center of boards 11 and 14, and fix them with D fittings

Cx8
Dx8

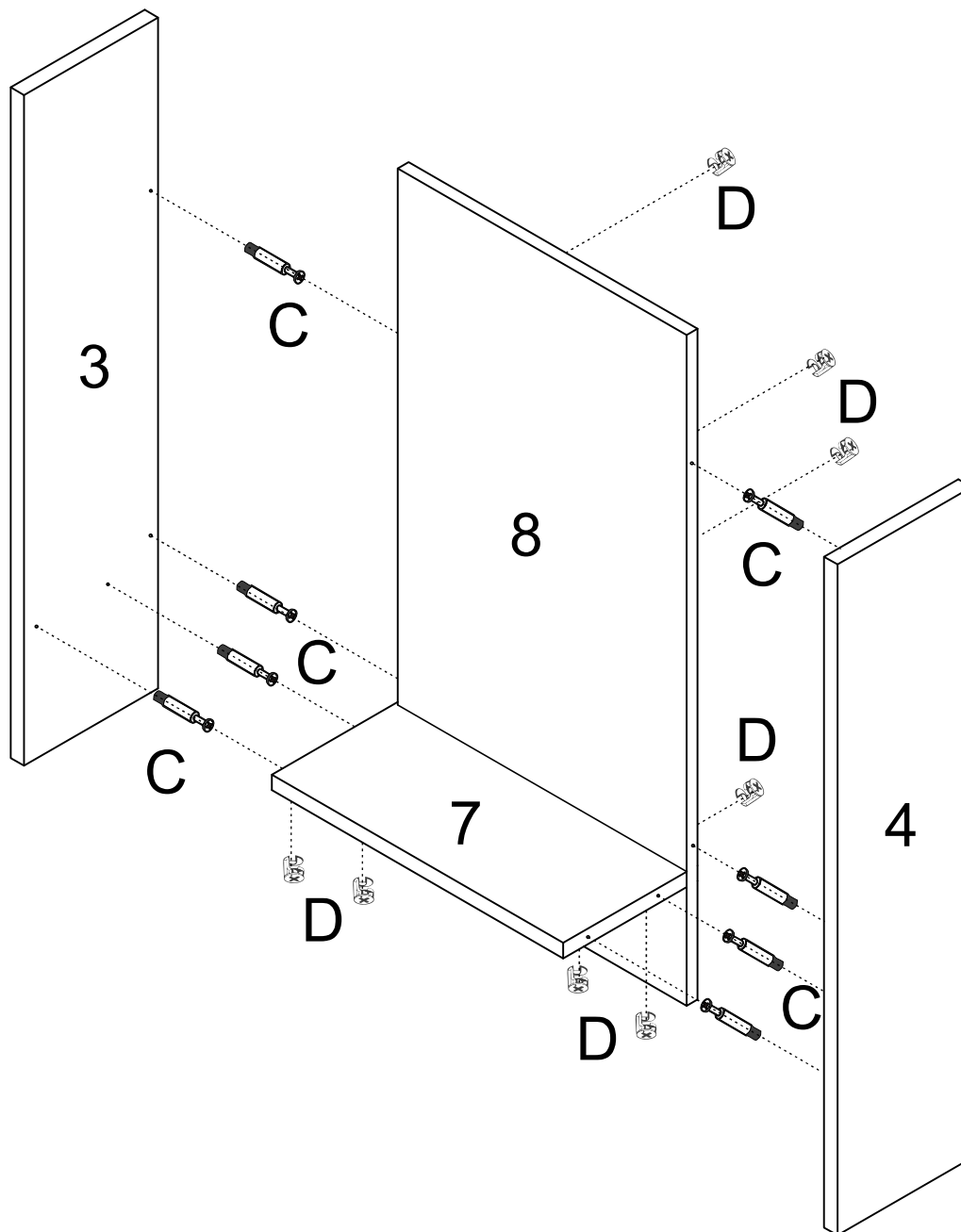
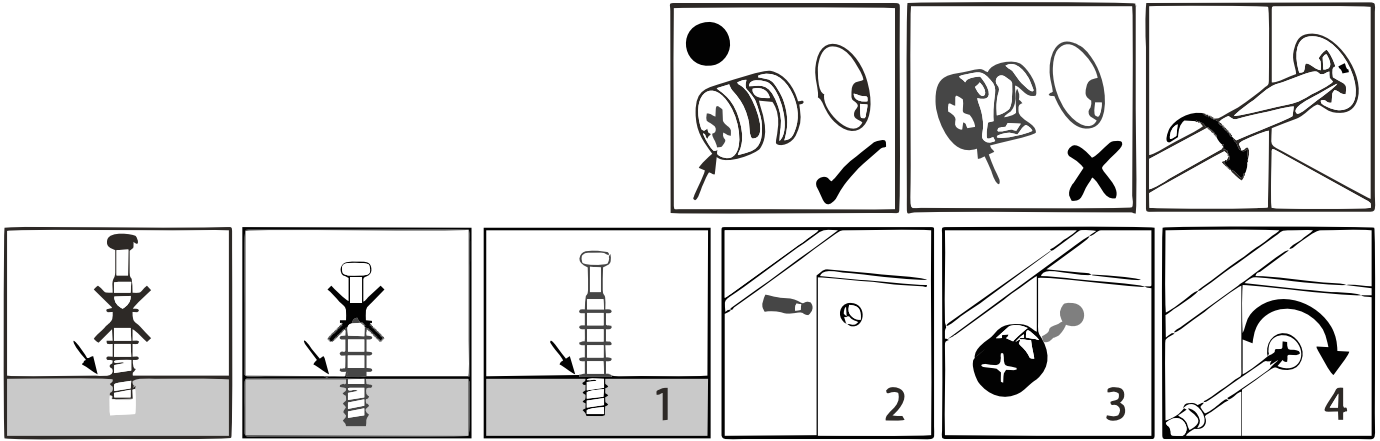
STEP 13



Take 6*A and lock it into board 10, then cover plate 10 and secure it with fitting B.

Ax6
Bx6

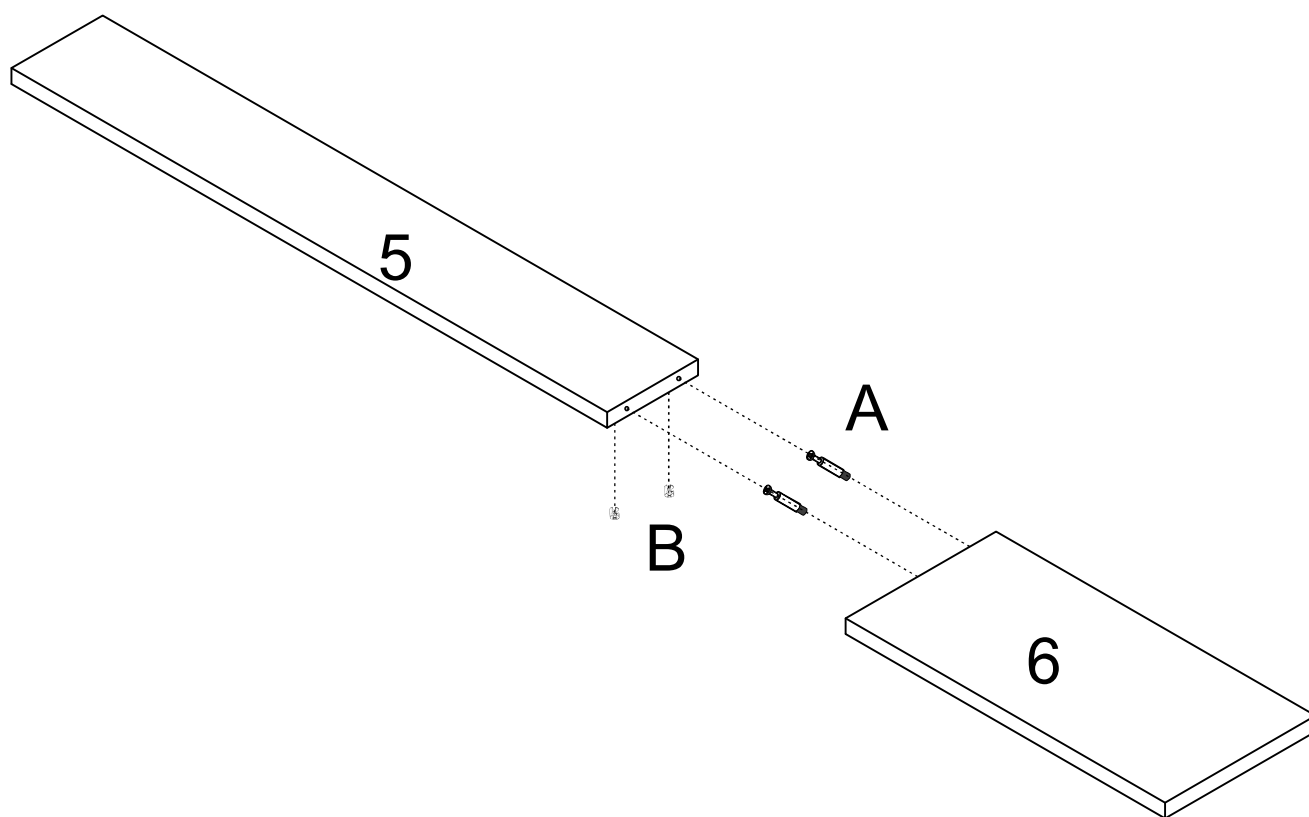
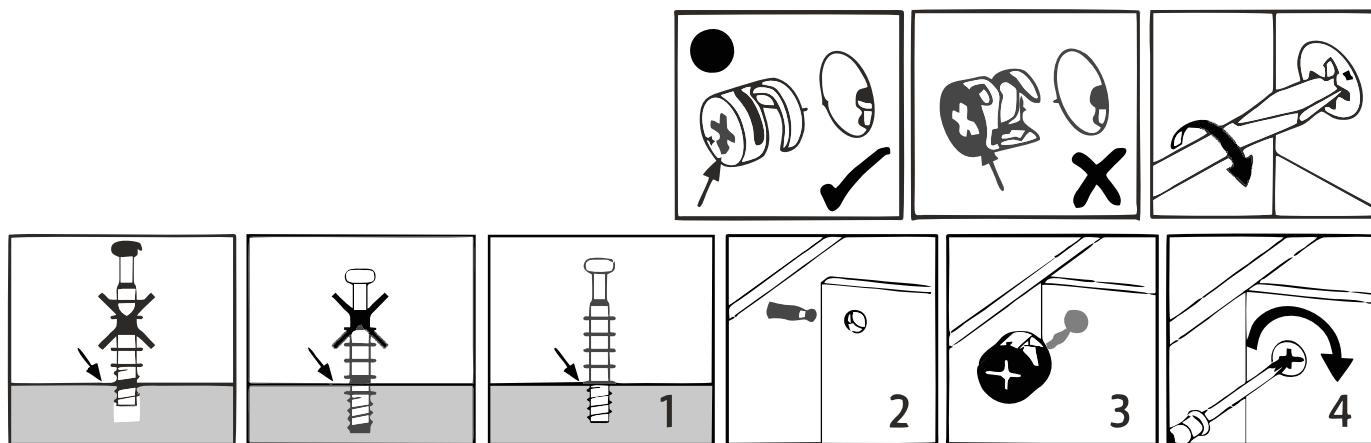
STEP 14



Take 8*C and lock it into boards 3 and 4, snap boards 7 and 8 into the middle of boards 3 and 4 , then fix them with D fittings

Cx8
Dx8

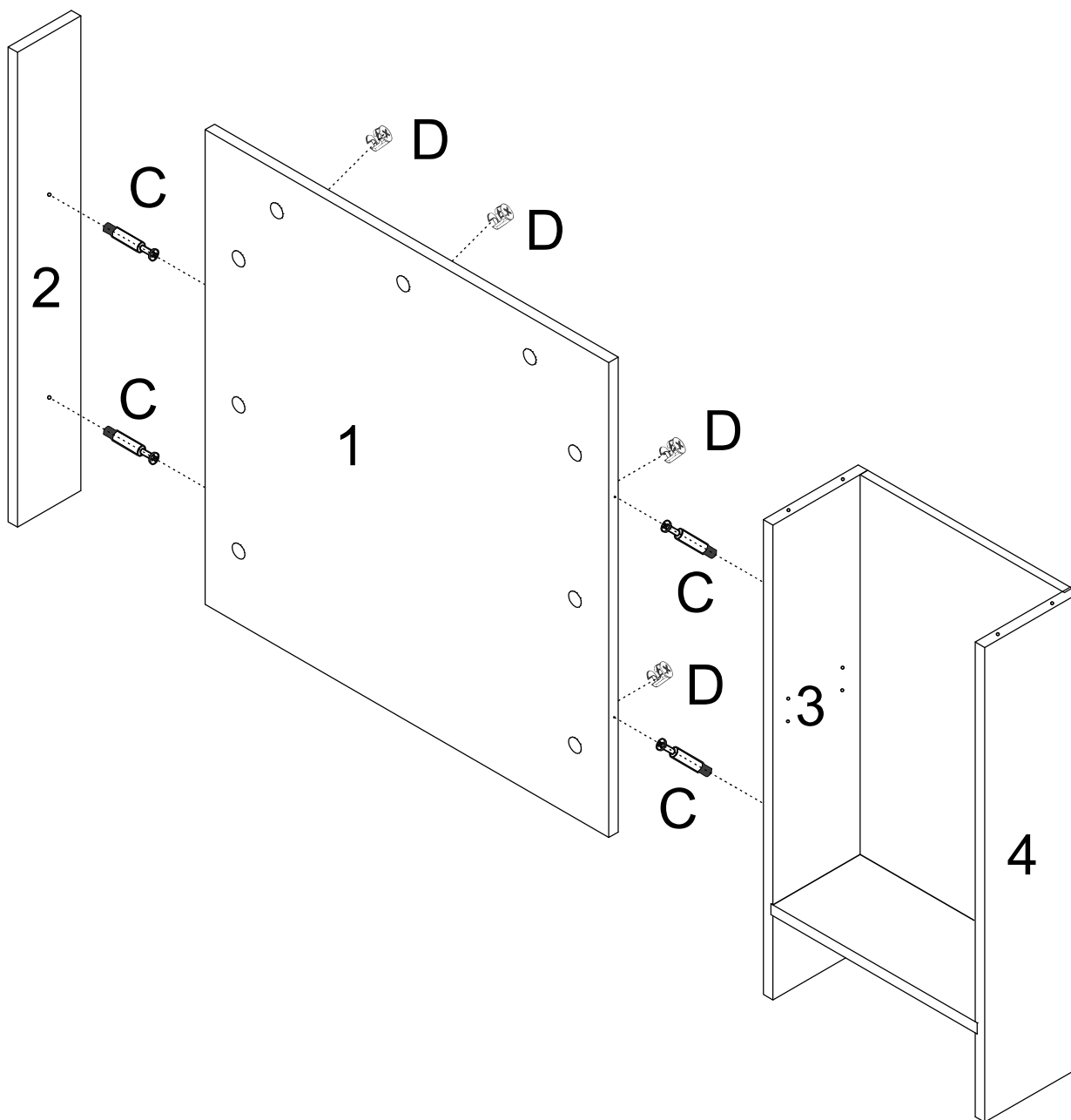
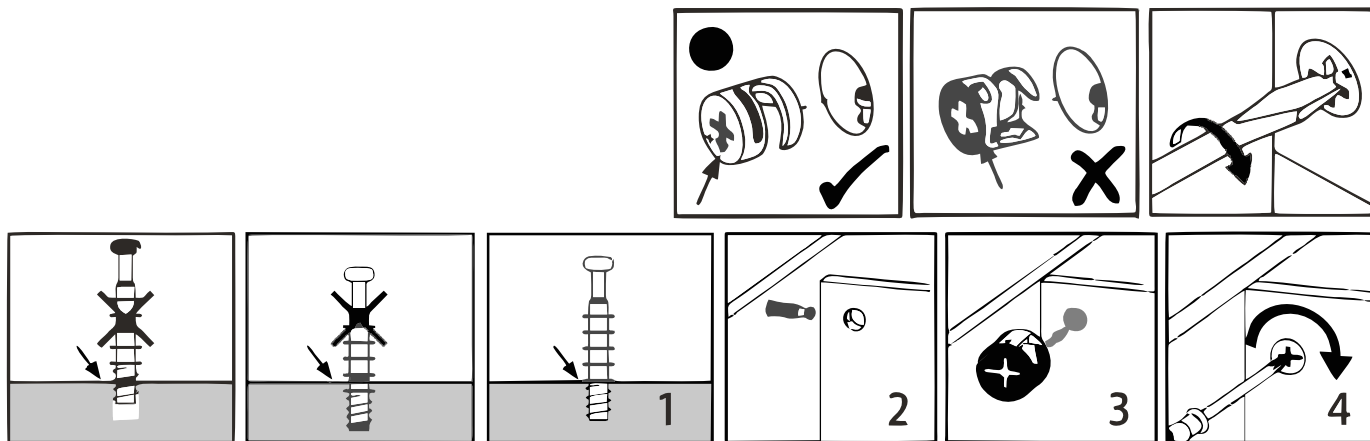
STEP 15



Take 2*A, lock into plate 6, connect plates 5 and 6
and fix through B

Ax2
Bx2

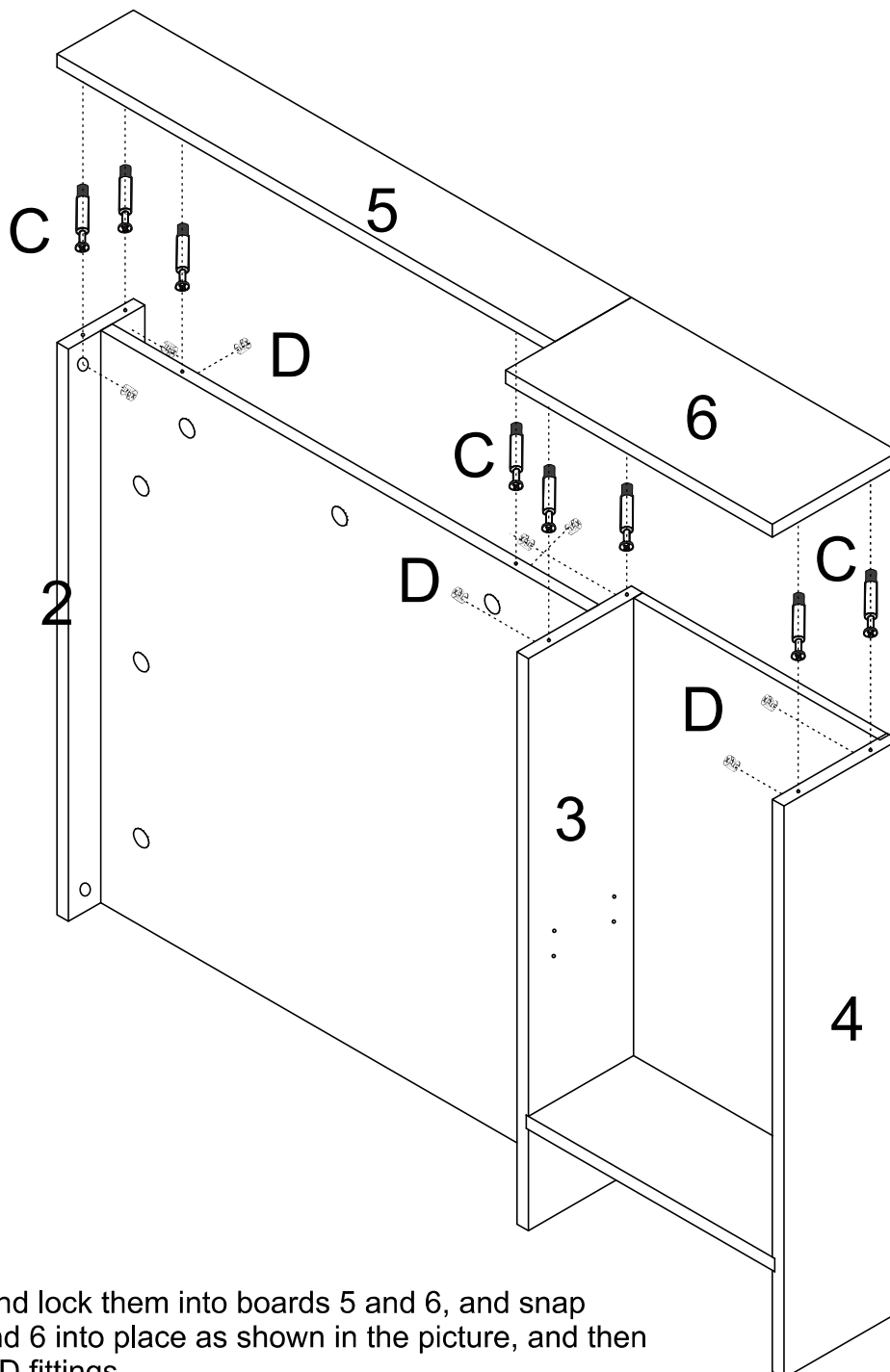
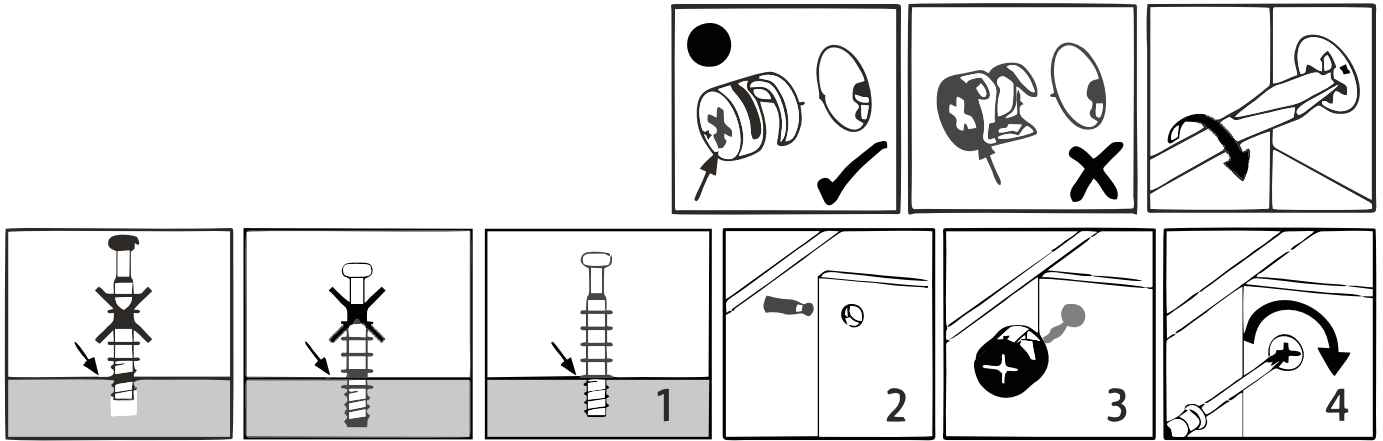
STEP 16



Take 4*C locks into boards 2 and 3, snap board 1 into the middle of boards 2 and 3

Cx4
Dx4

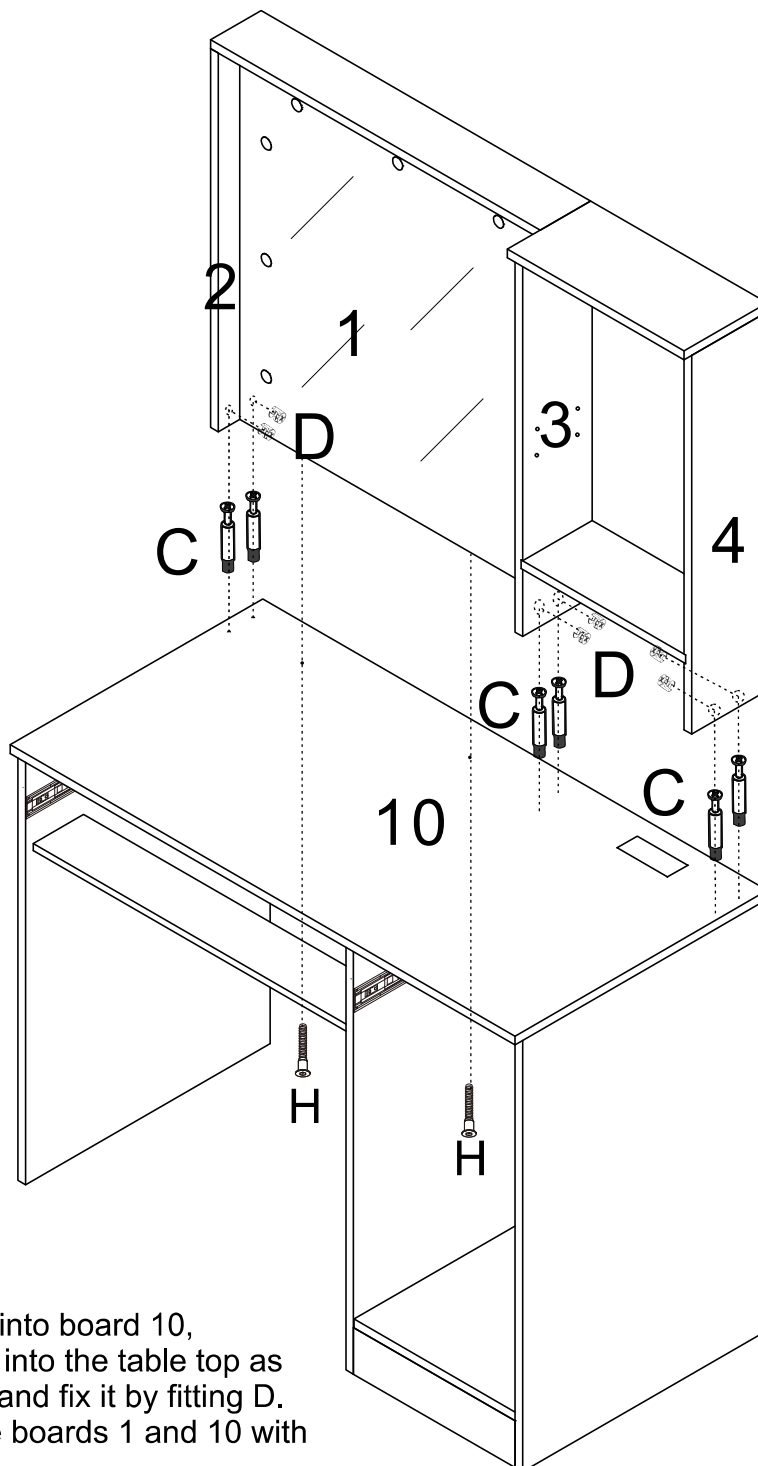
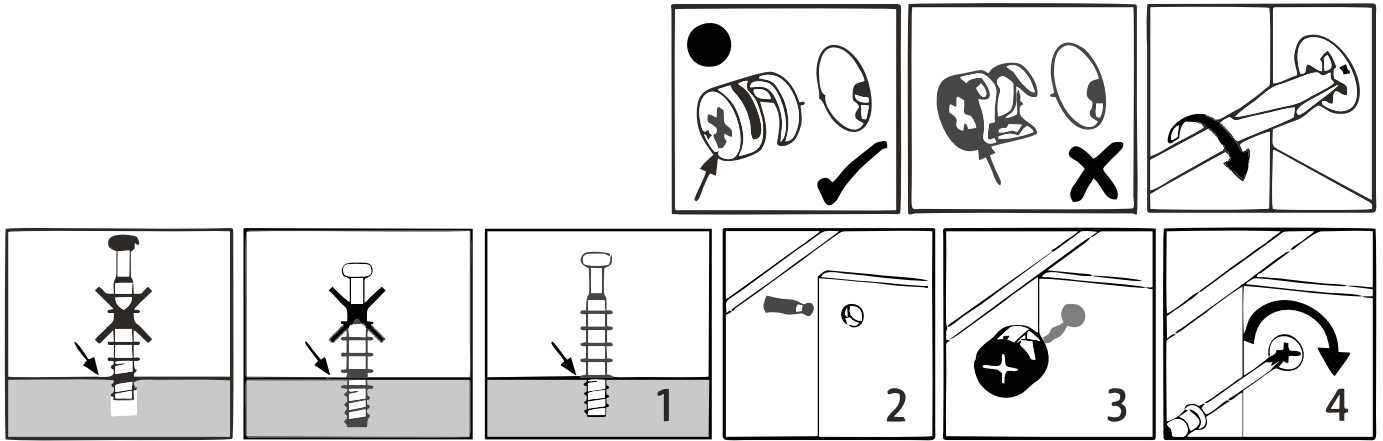
STEP 17



Take 8*C and lock them into boards 5 and 6, and snap boards 5 and 6 into place as shown in the picture, and then fix them by D fittings

Cx8
Dx8

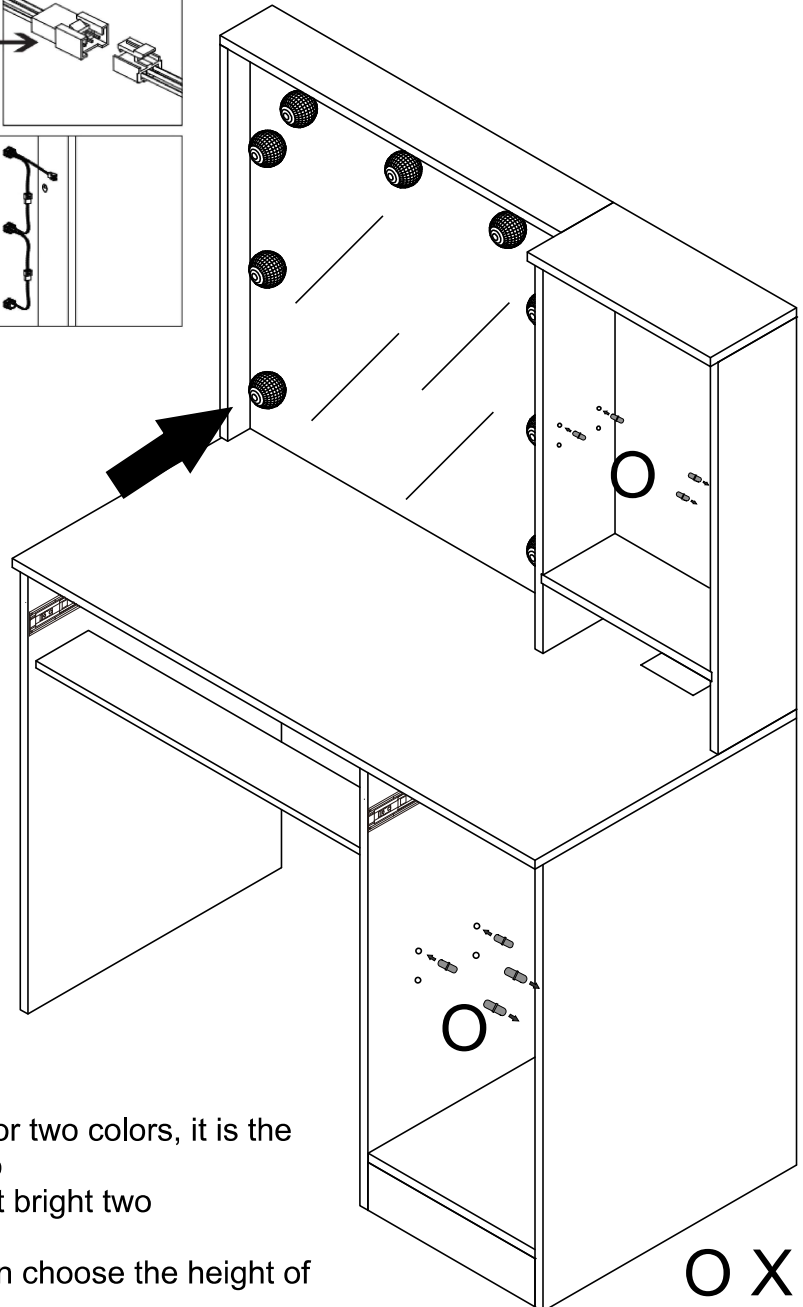
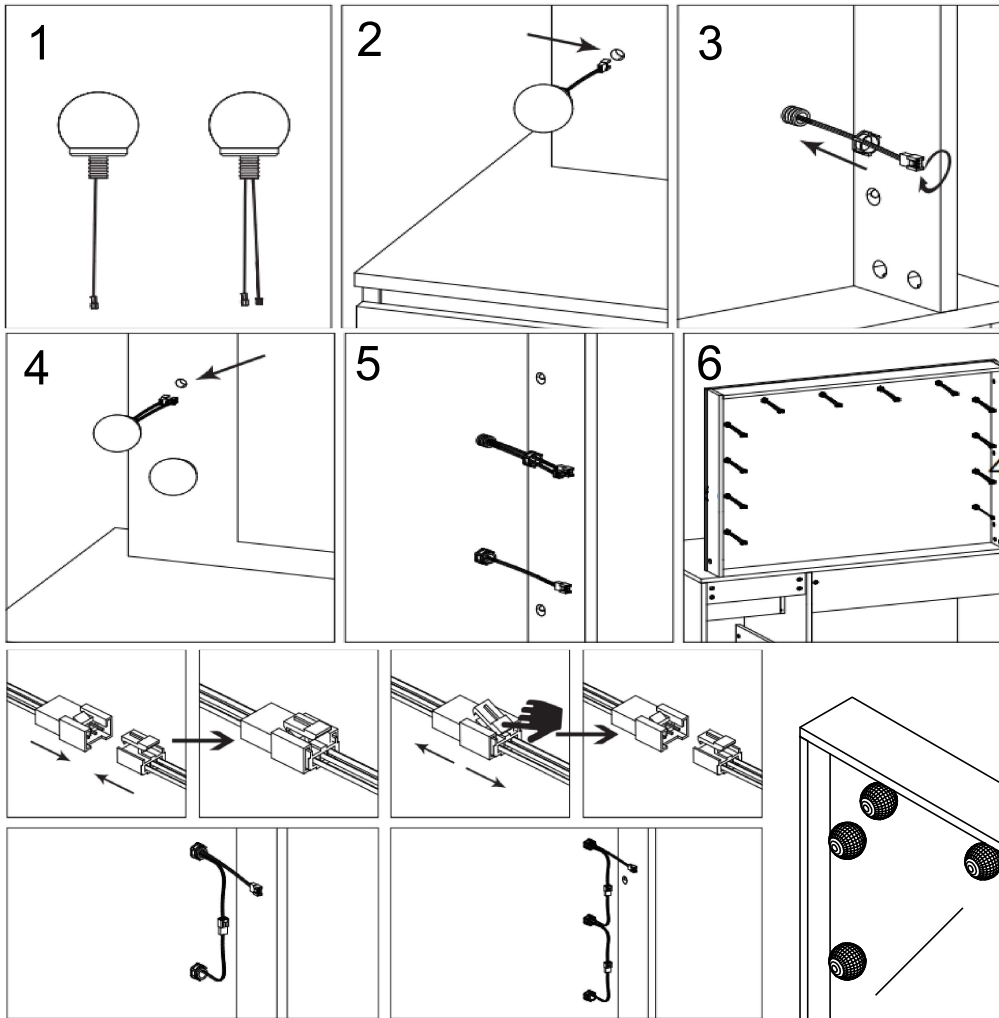
STEP 18



Take 6*C and lock it into board 10, subsequently snap it into the table top as shown in the picture and fix it by fitting D. Subsequently secure boards 1 and 10 with 2*H.

Cx6
Dx6
Hx2

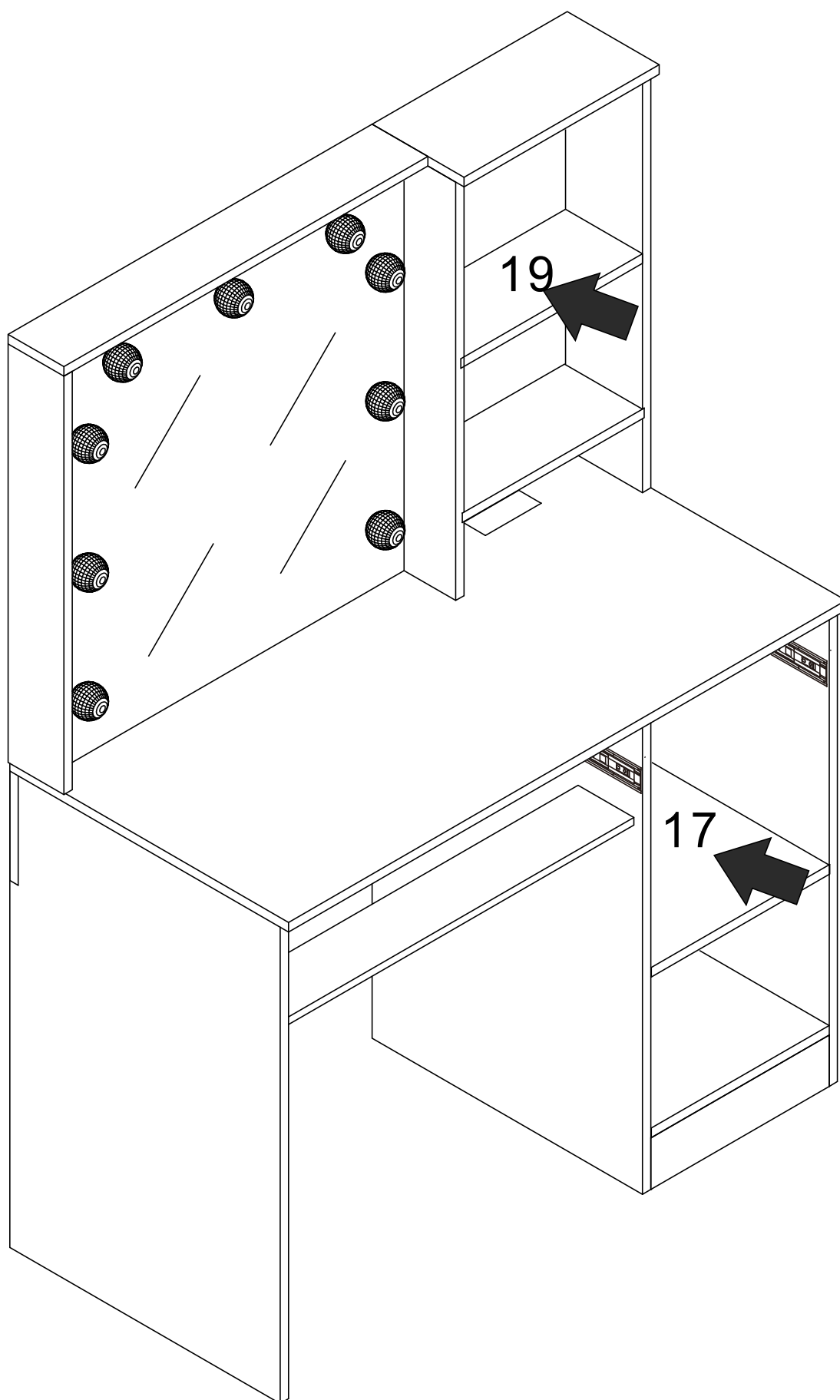
STEP 19



Appear partially bright partially not bright, or two colors, it is the back of the connection is reversed need to unplug the reverse inserted (bright and not bright two bulb connections have problems)
Put O as shown in the picture, the user can choose the height of placement

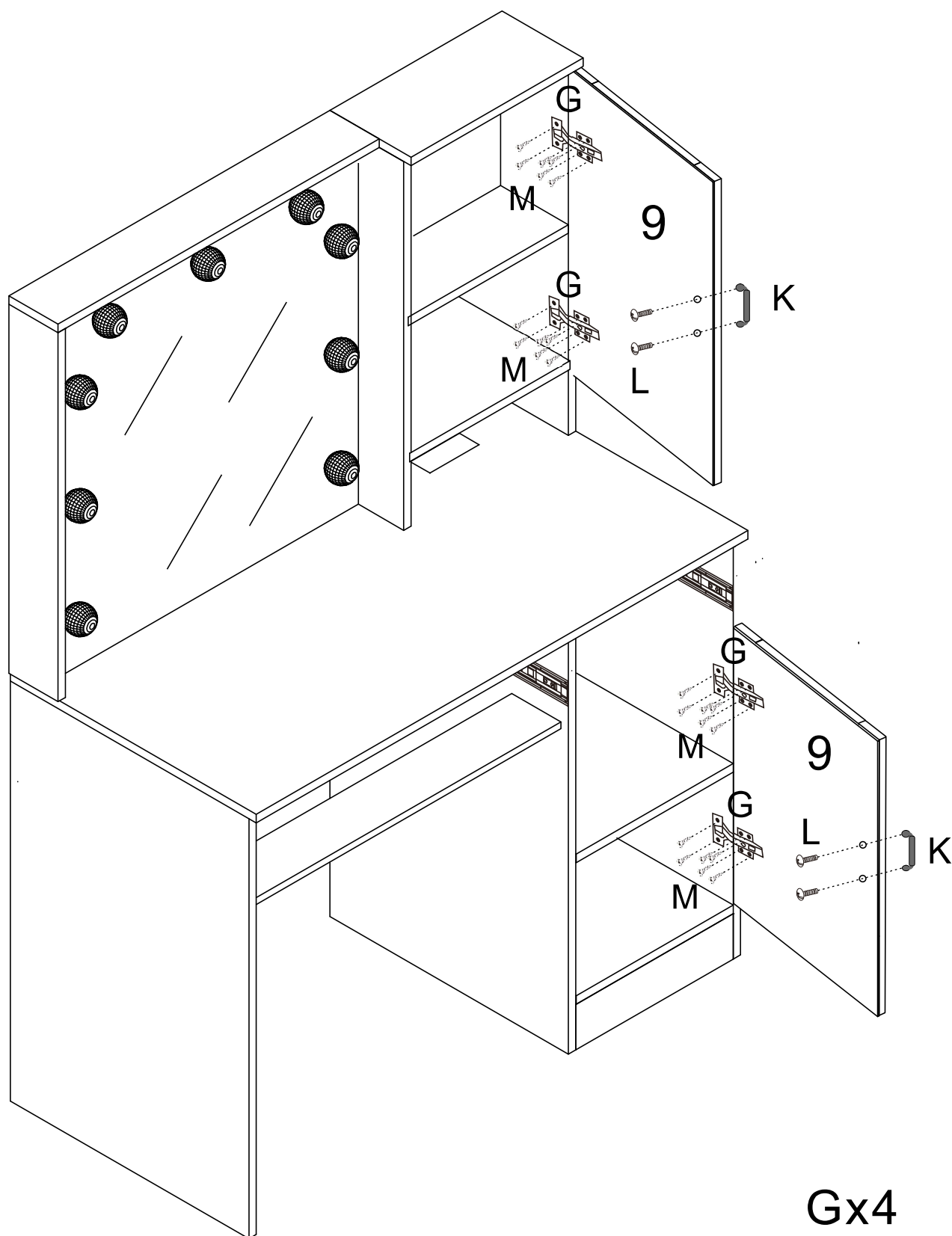
OX8

STEP 20



Place boards 17 and 19 as shown in the figure

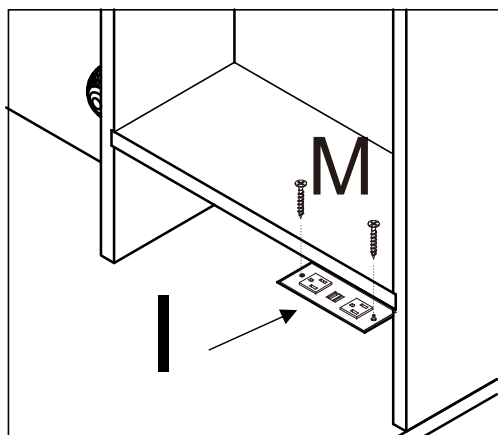
STEP 21



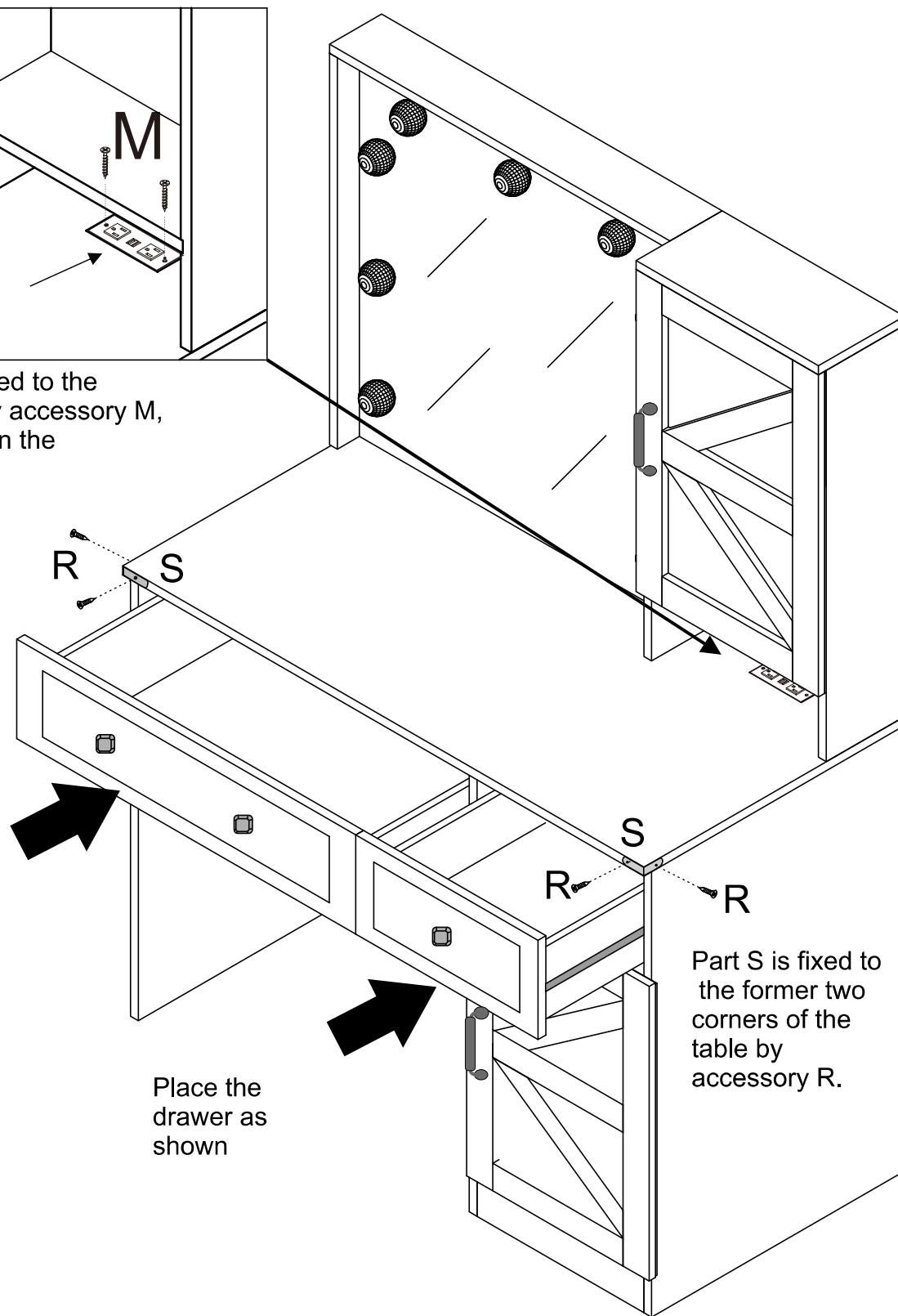
Fix fitting G to plate 9, then fix plate 9 through fitting G. Handle K is fixed to the door panel by fixing through fitting L.

Gx4
Kx2
Lx4
MX24

STEP 22



Part I is fixed to the tabletop by accessory M, as shown in the illustration

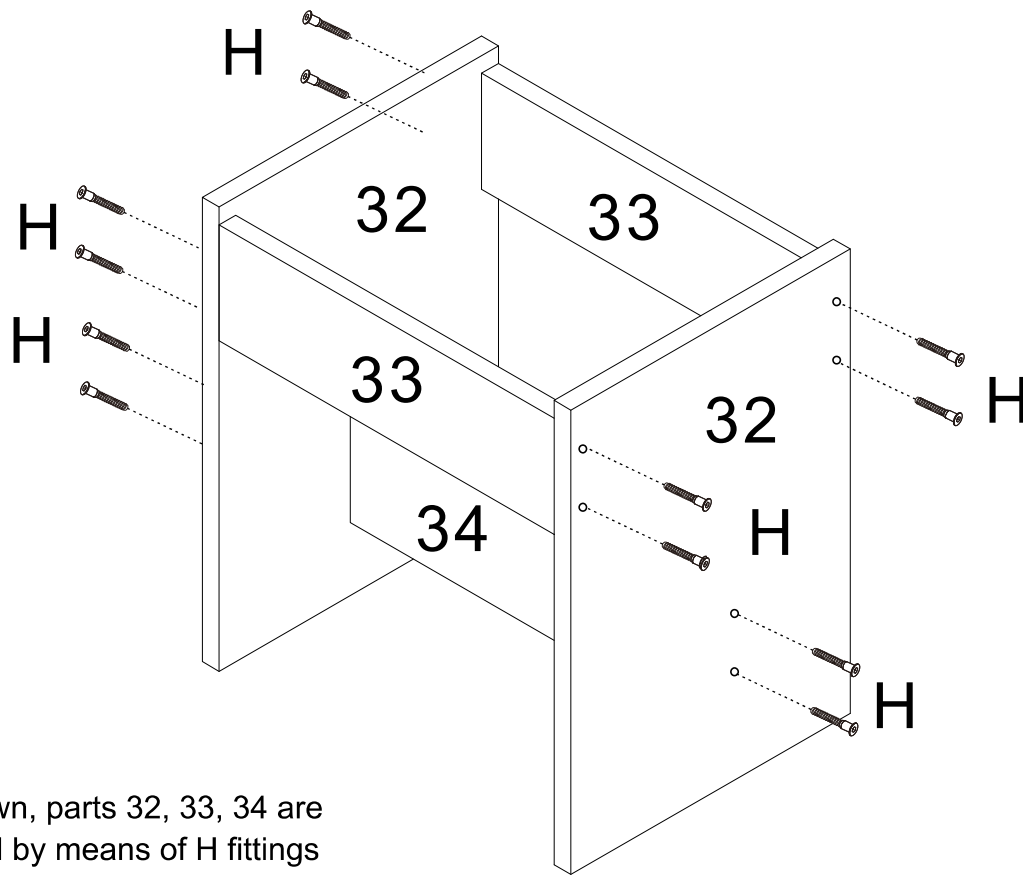


Place the drawer as shown

Part S is fixed to the former two corners of the table by accessory R.

Rx4
Sx2

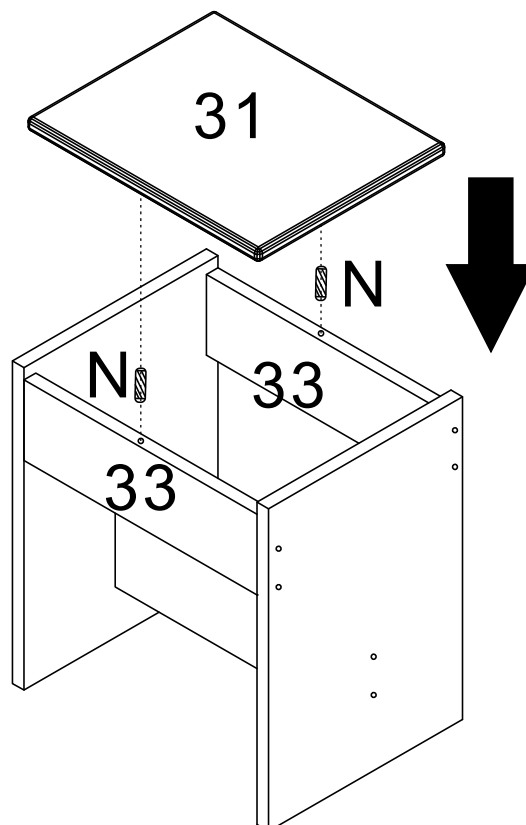
STEP 23



As shown, parts 32, 33, 34 are secured by means of H fittings

H X 12

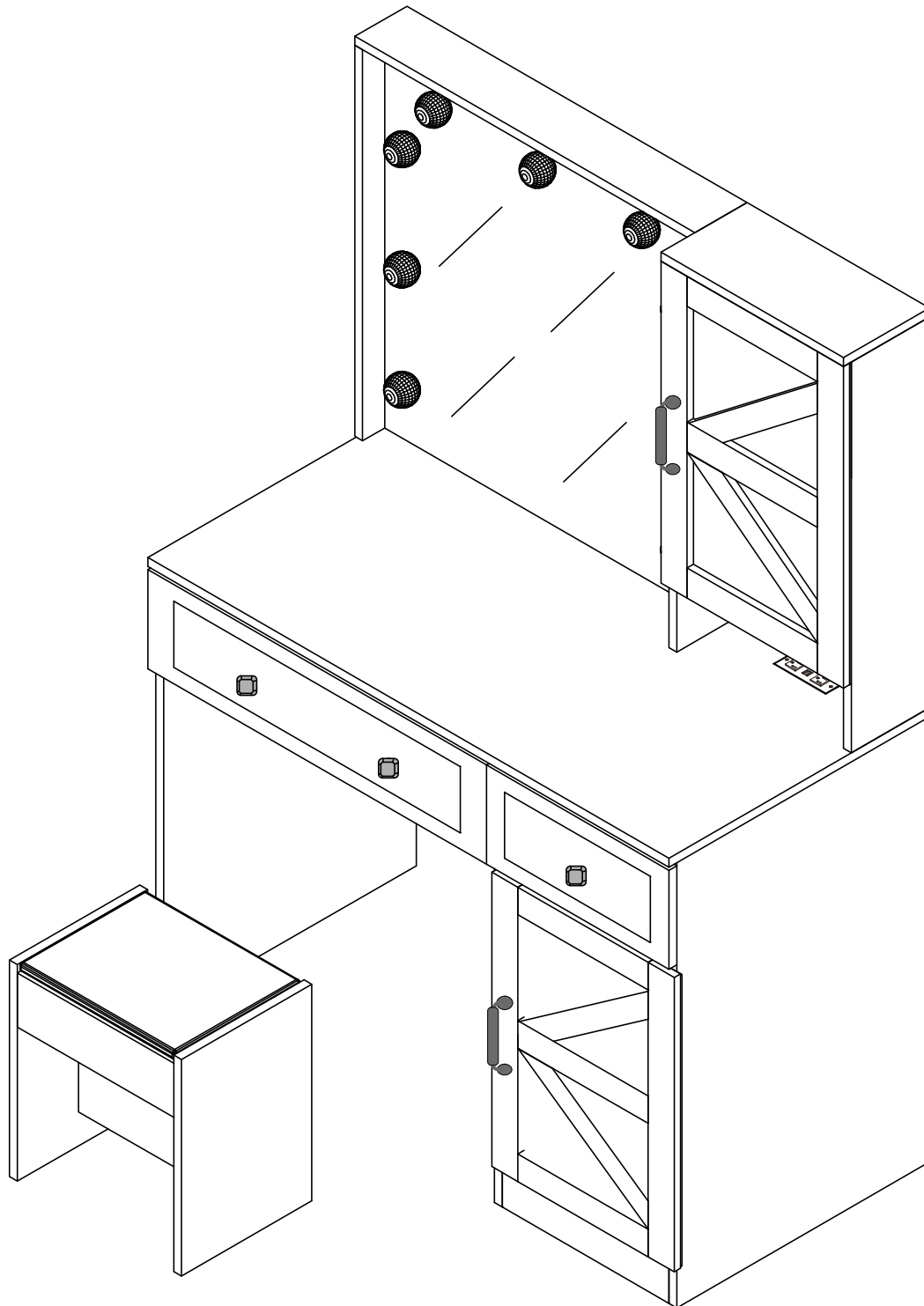
STEP 24



Insert the N fitting into part 33, followed by snap-in part 31

N X 2

STEP 25



Assembled as shown in the picture