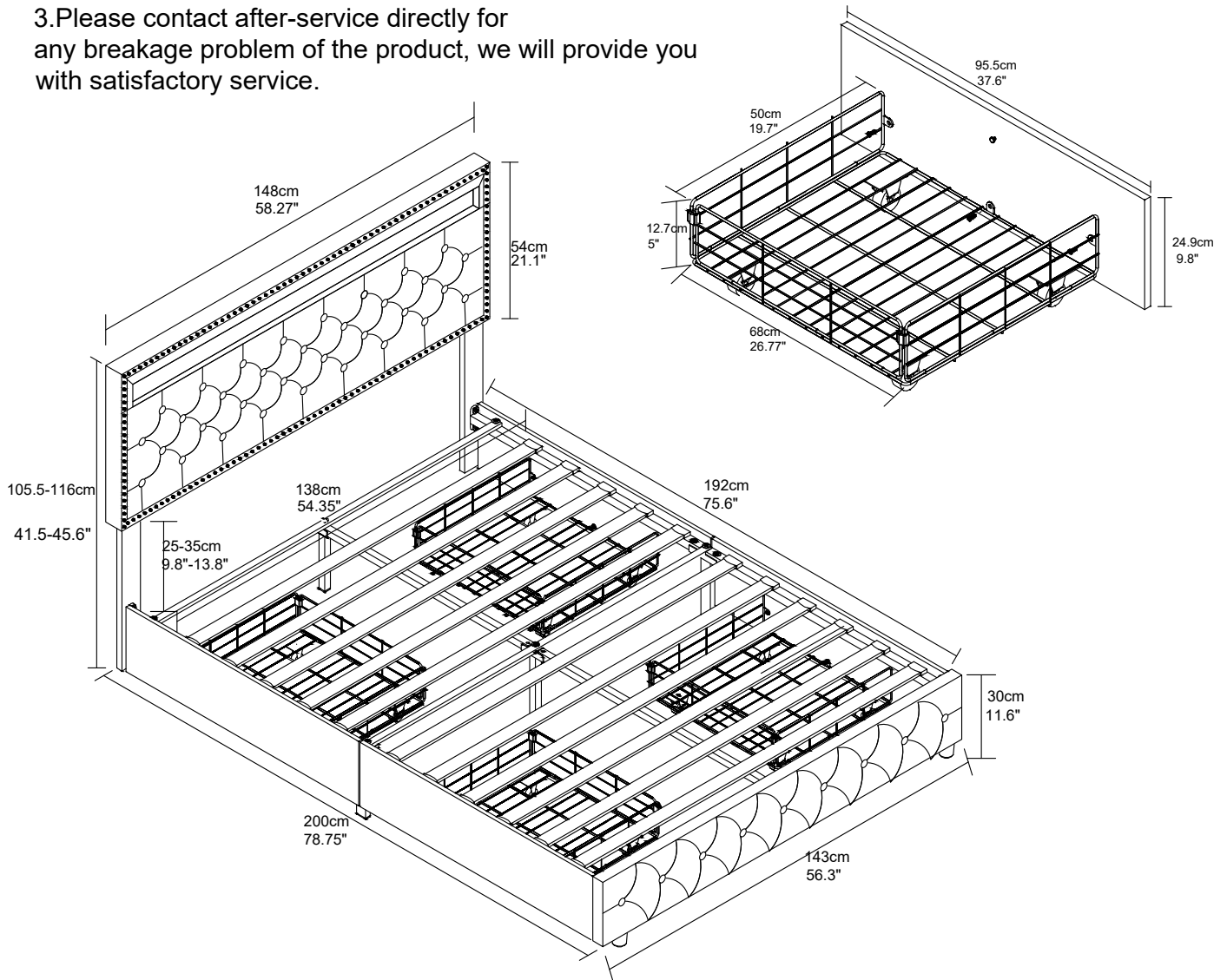


# User's Manual

## Bed Frame

Note:

1. Should be assembled on flat ground to keep balance.
2. Before completing the installation, do not tighten the screws.
3. Please contact after-service directly for any breakage problem of the product, we will provide you with satisfactory service.



Before starting the assembly, you must read the whole manual and follow the instructions



It needs at least two people to install.

## **EN | ES**

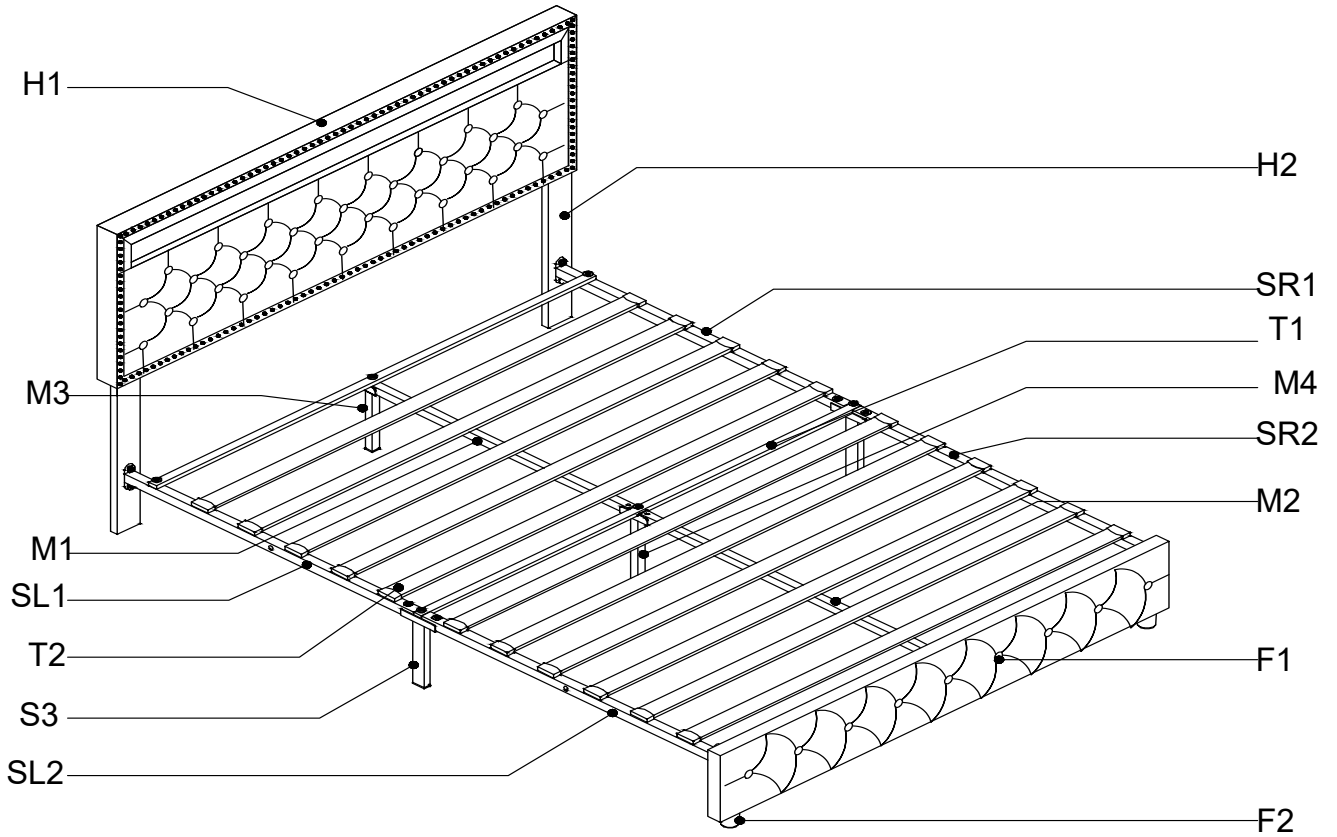
Contact us first if you have any problems, we have the best service.  
Replacement for missing or damaged parts will be shipped  
ASAP!

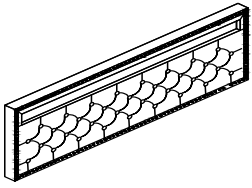

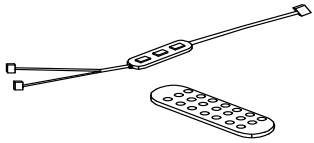
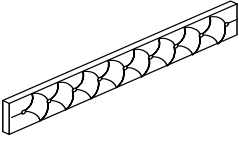
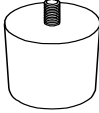
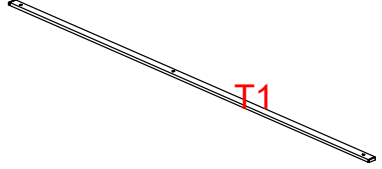
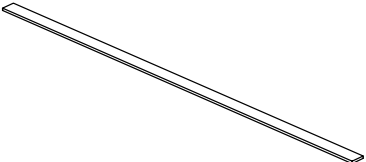
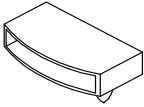
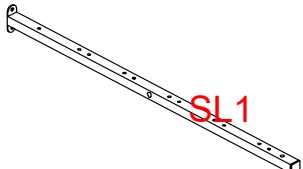
## **EN | ES**

Si tiene alguna pregunta, póngase en contacto con nosotros primero,  
tenemos el mejor servicio disponible. Las piezas perdidas o dañadas serán  
enviadas  
lo antes posible.

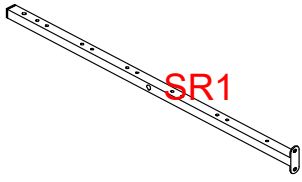
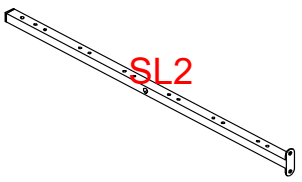
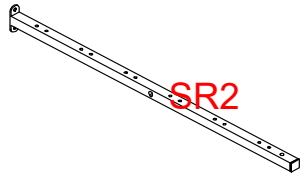
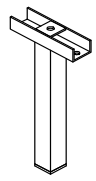
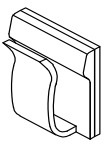
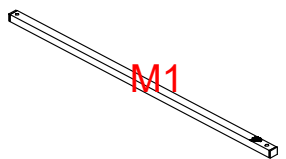
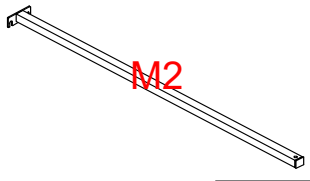
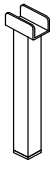
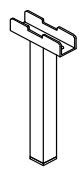
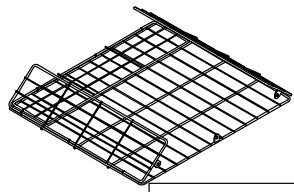
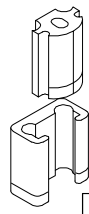
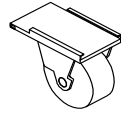
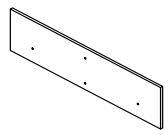
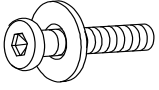
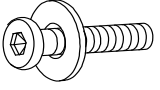
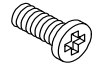


# Assembly Instruction of (Bed)

Drawer not included



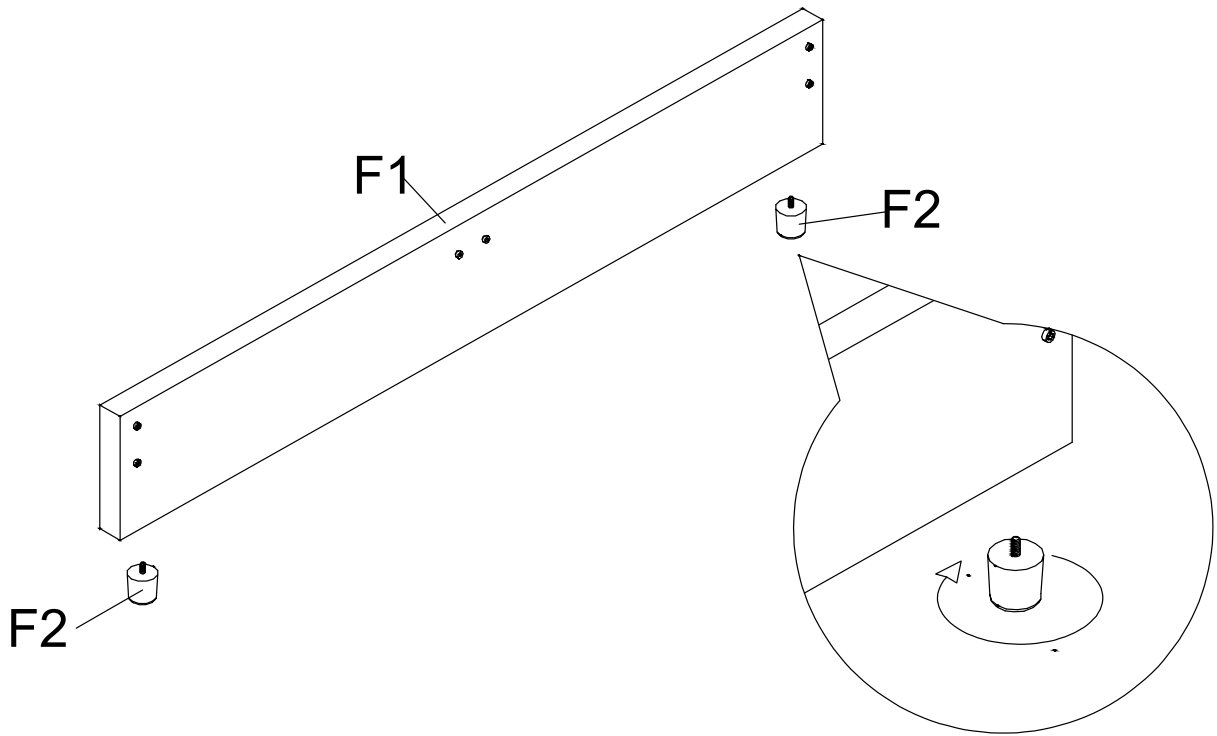
<p>H1 Headboard</p>  <p>1PC</p>	<p>H2 Headboard Leg</p>  <p>2PCS</p>	<p>H3 Lighting Control Kit</p>  <p>1Set</p>
<p>F1 Footboard</p>  <p>1PC</p>	<p>F2 Footboard Feet</p>  <p>2PCS</p>	<p>T1 Cross Beam</p>  <p>2PCS</p>
<p>T2 Slat</p>  <p>11PCS</p>	<p>T3 Slat Anchor Clip</p>  <p>22+2PCS</p>	<p>SL1 Head Side Rail Section</p>  <p>1PC</p>

## Assembly Instruction of (Bed)

<p>SR1 Head Side Rail Section</p>  <p style="text-align: center; color: red; font-weight: bold;">SR1</p> <div style="text-align: right; border: 1px solid black; padding: 2px; width: fit-content; margin-left: auto;">1PC</div>	<p>SL2 Foot Side Rail Section</p>  <p style="text-align: center; color: red; font-weight: bold;">SL2</p> <div style="text-align: right; border: 1px solid black; padding: 2px; width: fit-content; margin-left: auto;">1PC</div>	<p>SR2 Foot Side Rail Section</p>  <p style="text-align: center; color: red; font-weight: bold;">SR2</p> <div style="text-align: right; border: 1px solid black; padding: 2px; width: fit-content; margin-left: auto;">1PC</div>	
<p>S3 Center Side Rail Leg</p>  <div style="text-align: right; border: 1px solid black; padding: 2px; width: fit-content; margin-left: auto;">2PCS</div>	<p>S4 Light Cable Clip</p>  <div style="text-align: right; border: 1px solid black; padding: 2px; width: fit-content; margin-left: auto;">4PCS</div>	<p>M1 Head Middle Rail</p>  <p style="text-align: center; color: red; font-weight: bold;">M1</p> <div style="text-align: right; border: 1px solid black; padding: 2px; width: fit-content; margin-left: auto;">1PC</div>	
<p>M2 Foot Middle Rail</p>  <p style="text-align: center; color: red; font-weight: bold;">M2</p> <div style="text-align: right; border: 1px solid black; padding: 2px; width: fit-content; margin-left: auto;">1PC</div>	<p>M3 Head Middle Leg</p>  <div style="text-align: right; border: 1px solid black; padding: 2px; width: fit-content; margin-left: auto;">1PC</div>	<p>M4 Central Middle Leg</p>  <div style="text-align: right; border: 1px solid black; padding: 2px; width: fit-content; margin-left: auto;">1PC</div>	
<p>D1 Drawer Grid Base</p>  <div style="text-align: right; border: 1px solid black; padding: 2px; width: fit-content; margin-left: auto;">4PCS</div>	<p>D2 Drawer connector</p>  <div style="text-align: right; border: 1px solid black; padding: 2px; width: fit-content; margin-left: auto;">8+2PCS</div>	<p>D3 Drawer Caster</p>  <div style="text-align: right; border: 1px solid black; padding: 2px; width: fit-content; margin-left: auto;">16PCS</div>	<p>D4 Drawer Panel</p>  <div style="text-align: right; border: 1px solid black; padding: 2px; width: fit-content; margin-left: auto;">4PCS</div>
<p>U1 M8×45mm Screw with Washer</p>  <div style="text-align: right; border: 1px solid black; padding: 2px; width: fit-content; margin-left: auto;">16+1PCS</div>	<p>U2 M8×30mm Screw with Washer</p>  <div style="text-align: right; border: 1px solid black; padding: 2px; width: fit-content; margin-left: auto;">10+1PCS</div>	<p>U3 M6×15mm Screw</p>  <div style="text-align: right; border: 1px solid black; padding: 2px; width: fit-content; margin-left: auto;">16+1PCS</div>	<p>U8L M8 L-Wrench</p>  <div style="text-align: right; border: 1px solid black; padding: 2px; width: fit-content; margin-left: auto;">1PC</div>
<p>U6L M6 L-Wrench</p>  <div style="text-align: right; border: 1px solid black; padding: 2px; width: fit-content; margin-left: auto;">1PC</div>			

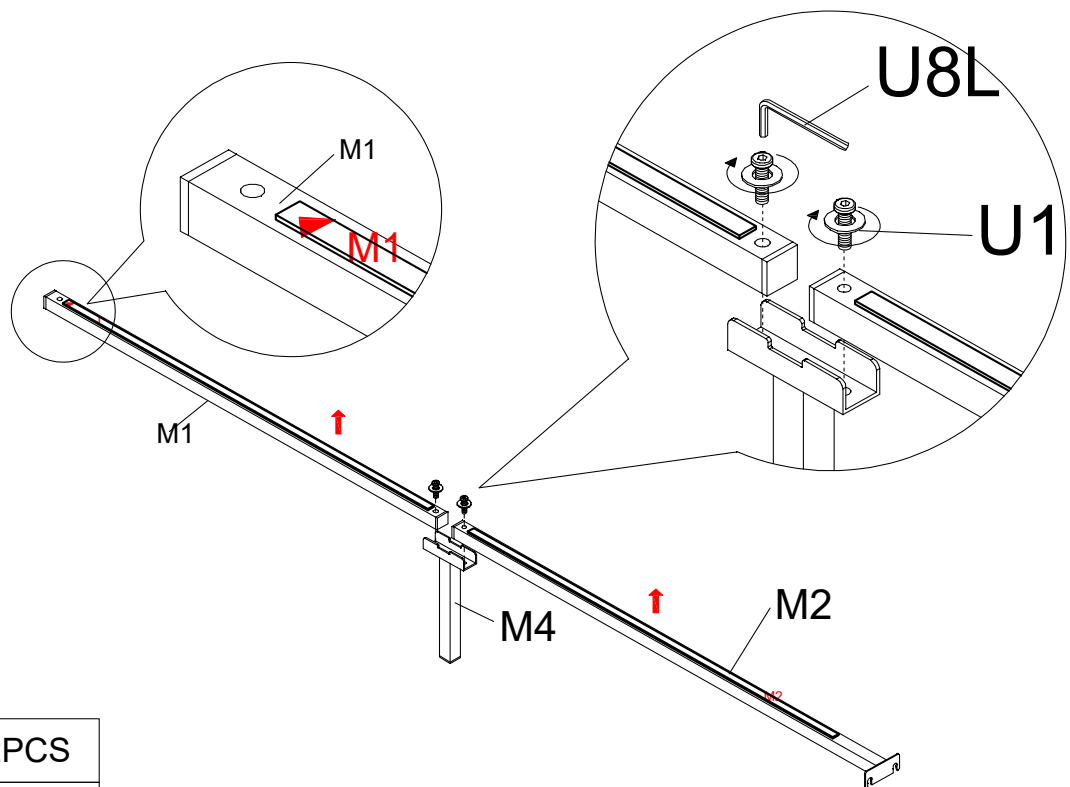
# Assembly Instruction of (Bed)

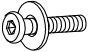

## STEP 1



## STEP 2

Noted that the middle cross beam, the direction of the red arrow is the front

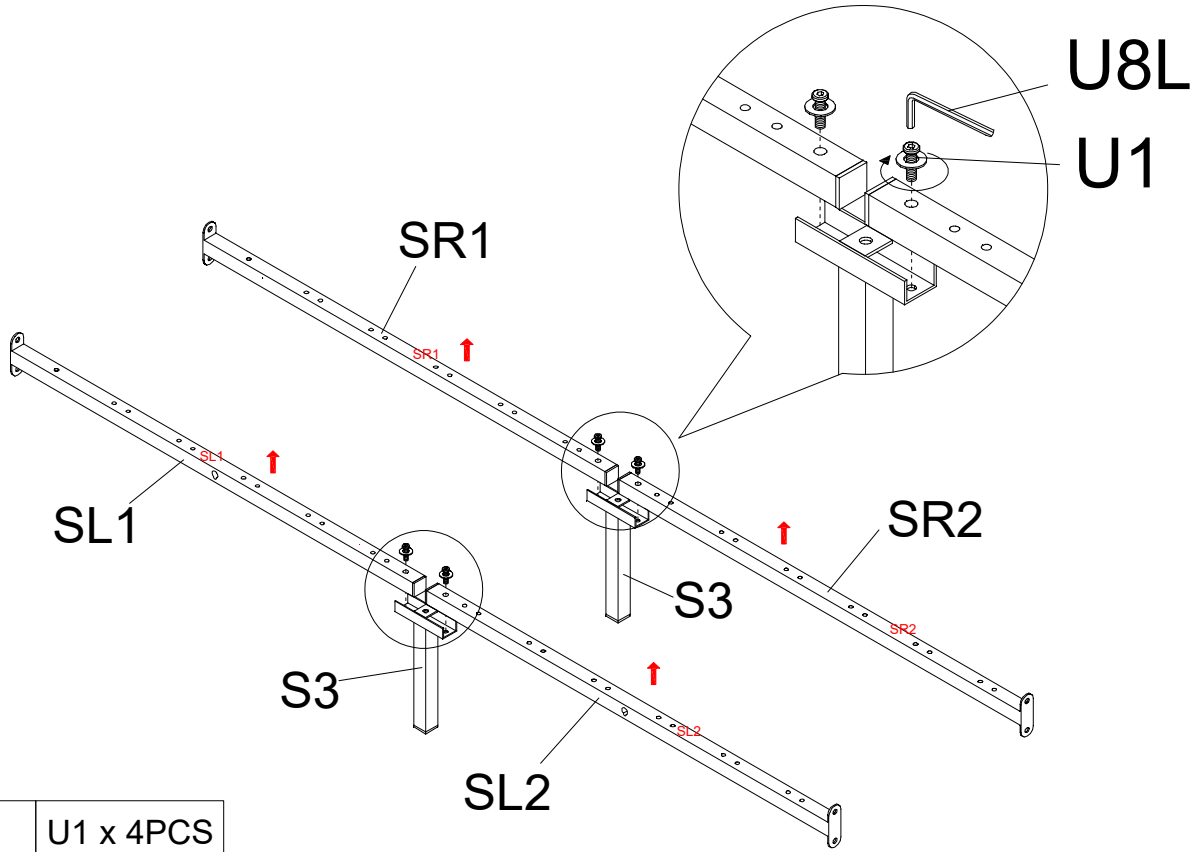


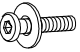

	U1 x 2PCS
	U8L x 1PC

Screws with washers will make the bed more stable.

# Assembly Instruction of (Bed)

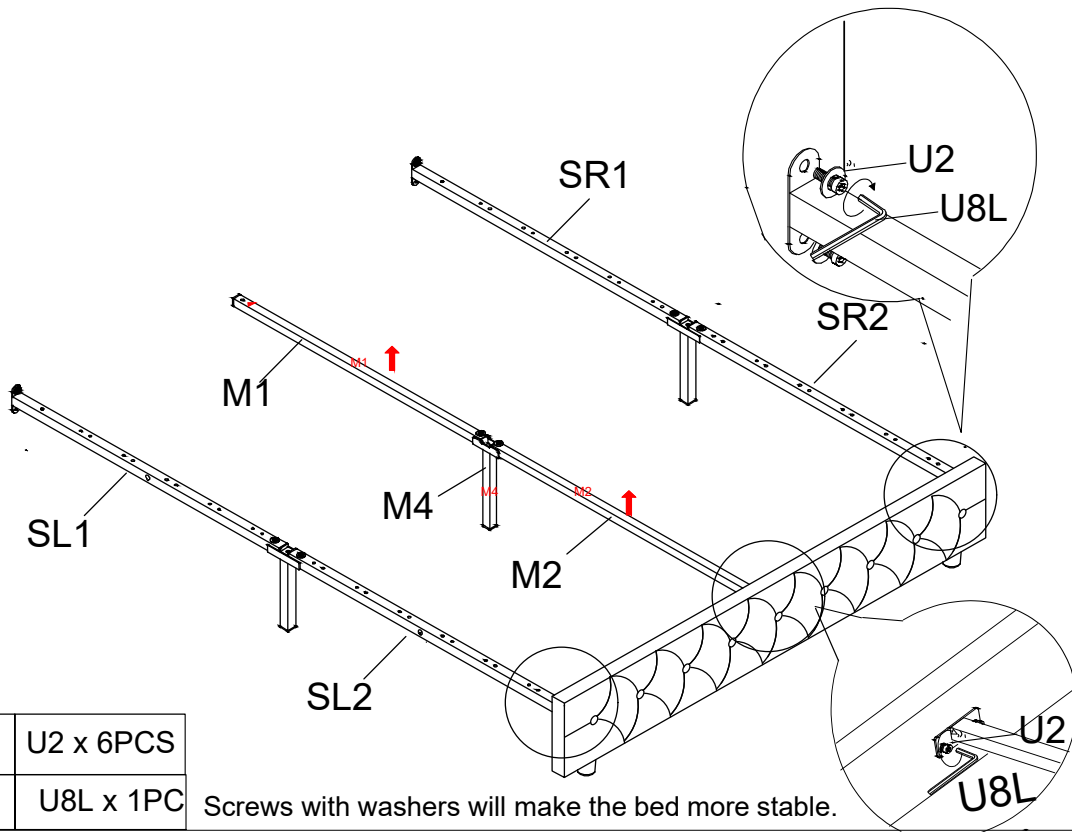
## STEP 3

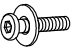



	U1 x 4PCS
	U8L x 1PC

Screws with washers will make the bed more stable.

## STEP 4

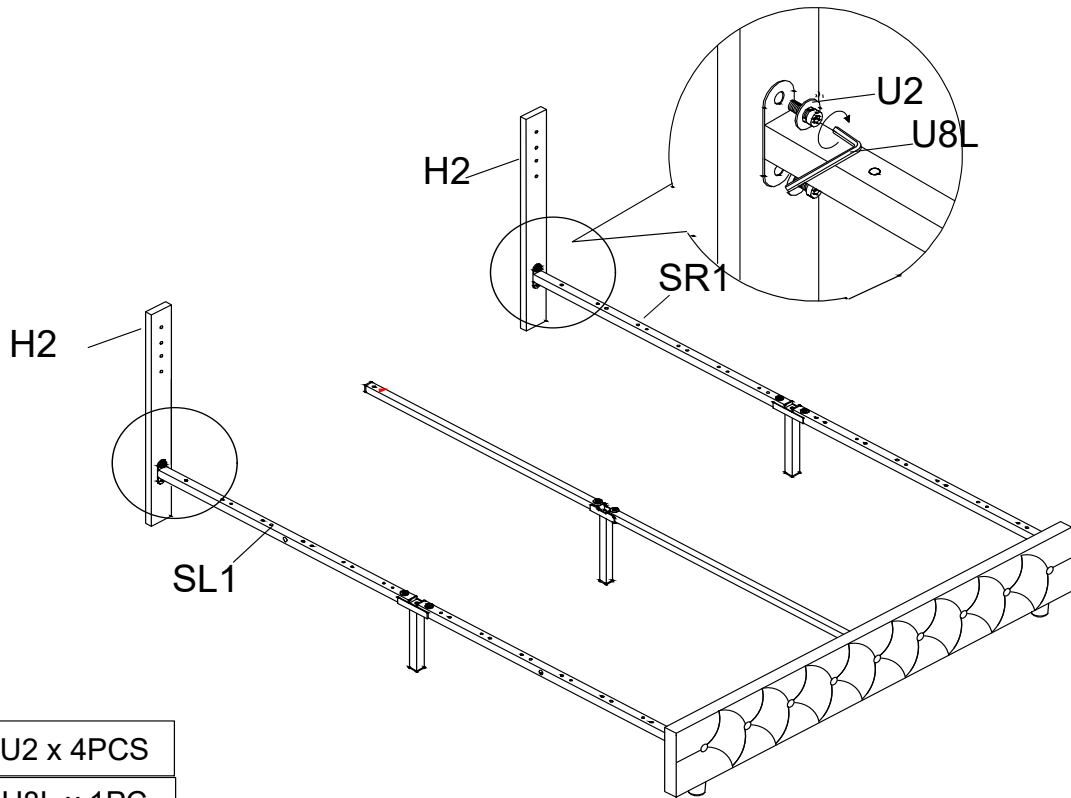




	U2 x 6PCS
	U8L x 1PC

Screws with washers will make the bed more stable.

# Assembly Instruction of (Bed)

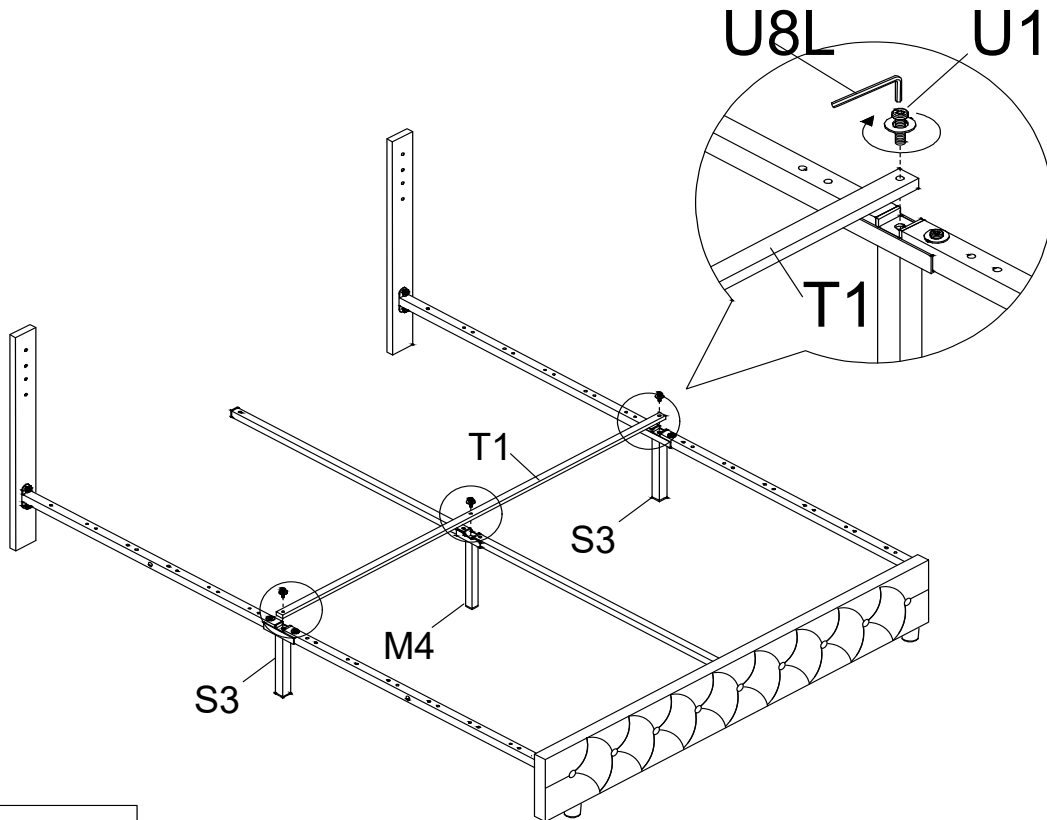
## STEP 5





	U2 x 4PCS
	U8L x 1PC

Screws with washers will make the bed more stable.

## STEP 6

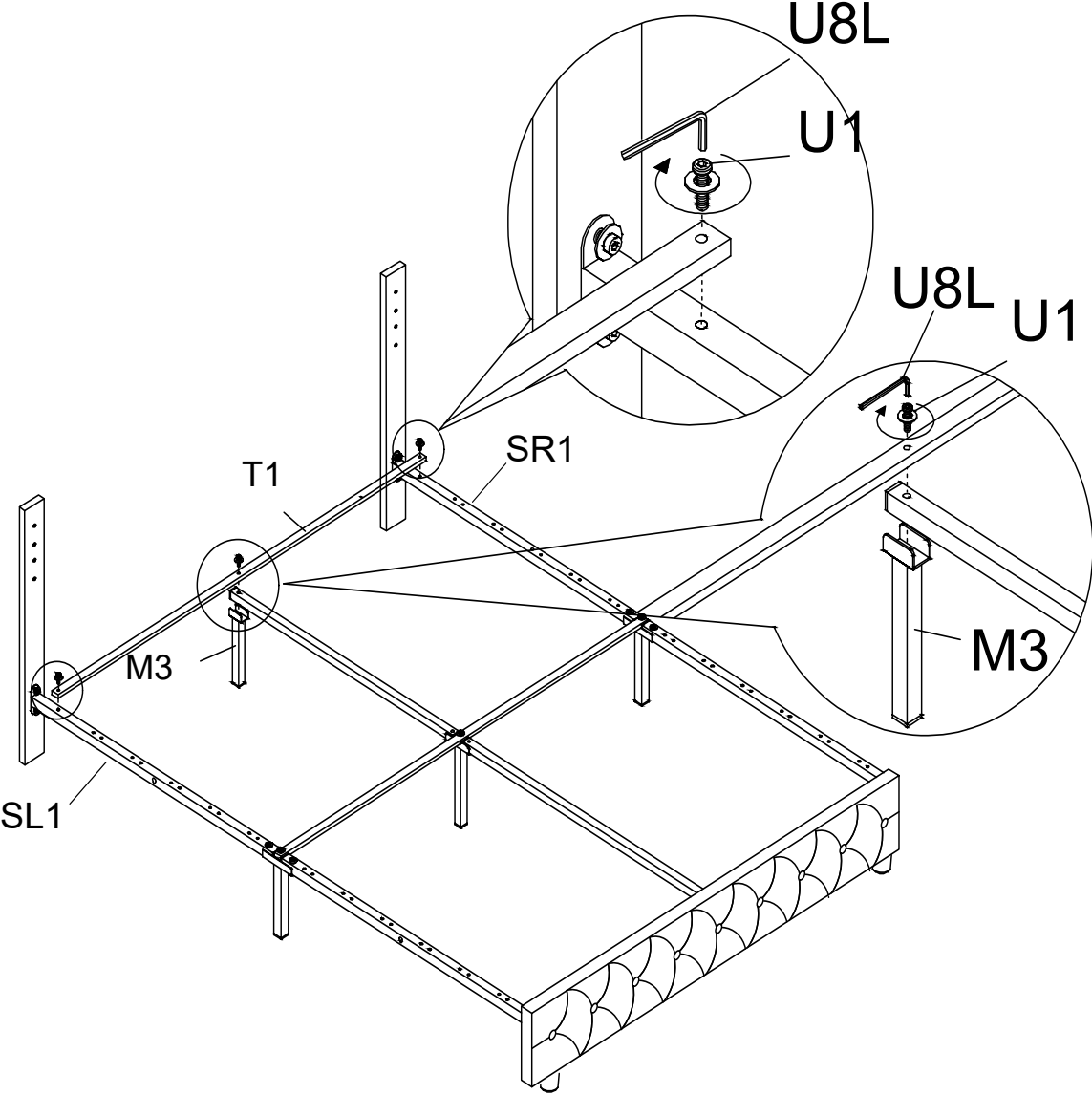


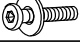

	U1 x 3PCS
	U8L x 1PC

Screws with washers will make the bed more stable.

# Assembly Instruction of (Bed)

## STEP 7

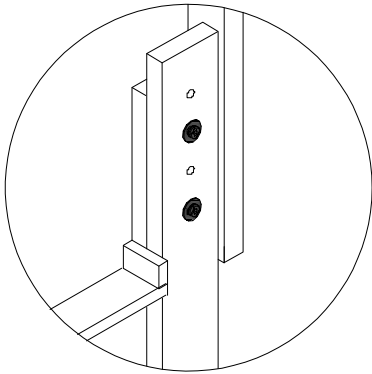
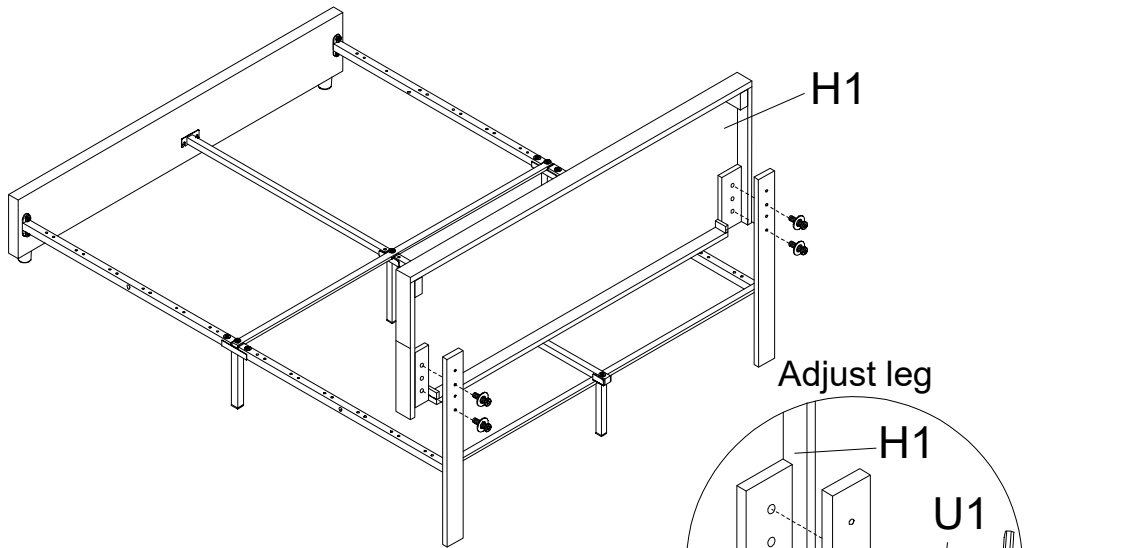


	U1 x 3PCS
	U8L x 1PC

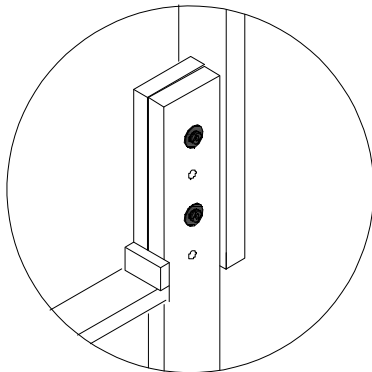
Screws with washers will make the bed more stable.

# Assembly Instruction of (Bed)

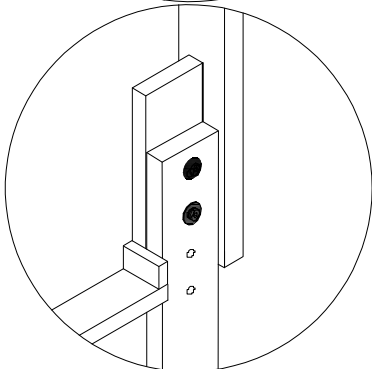
**STEP 8** **IMPORTANT:** The washers are crucial for a tight fit. Do not forget to use them with the screws.



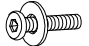

Fits a 10 inch thick mattress when attach screws to these holes



Fits a 12 inch thick mattress when attach screws to these holes



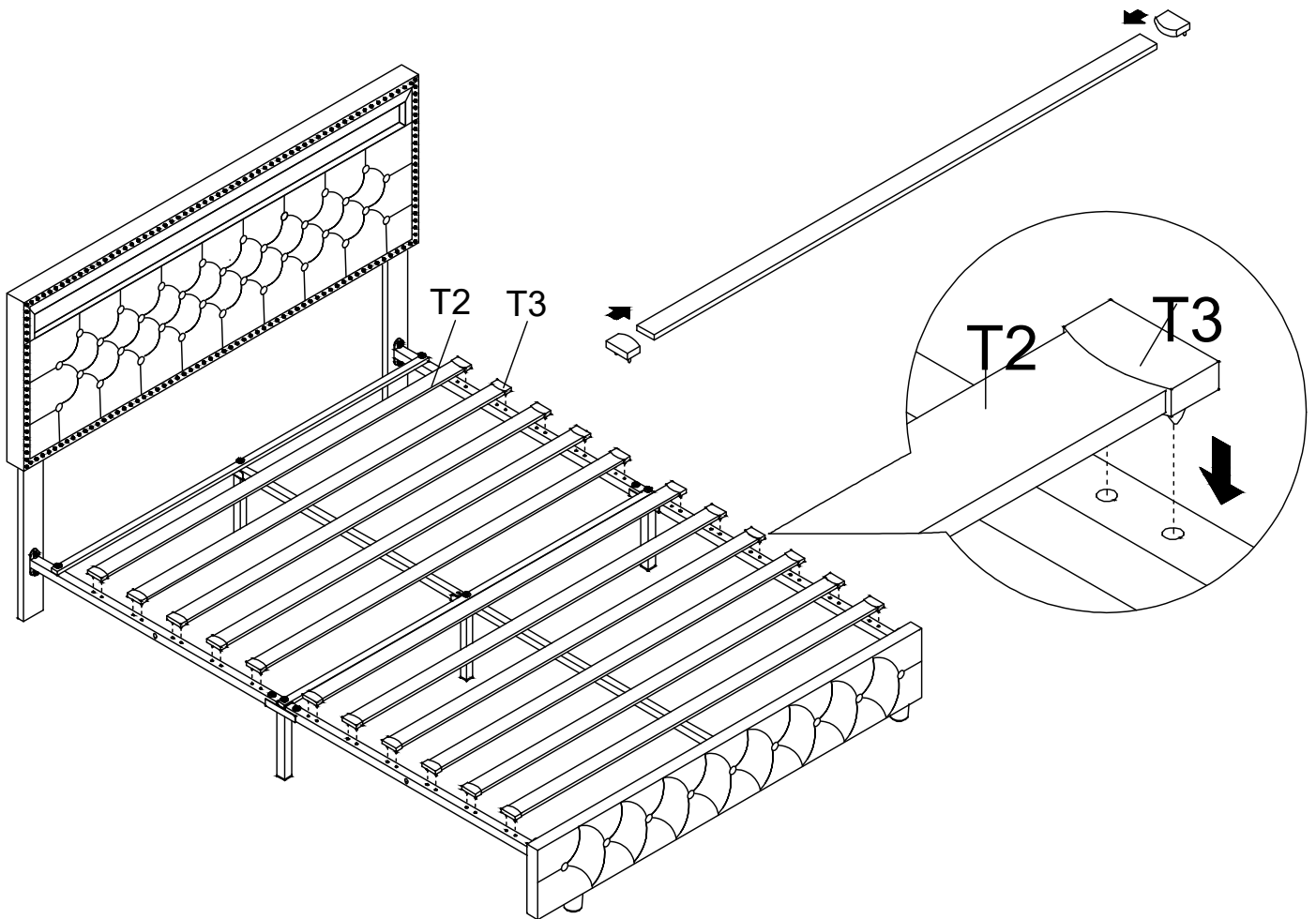
Fits a 14 inch thick mattress when attach screws to these holes

	U1 x 4PCS
	U8L x 1PC

Screws with washers will make the bed more stable.

# Assembly Instruction of (Bed)

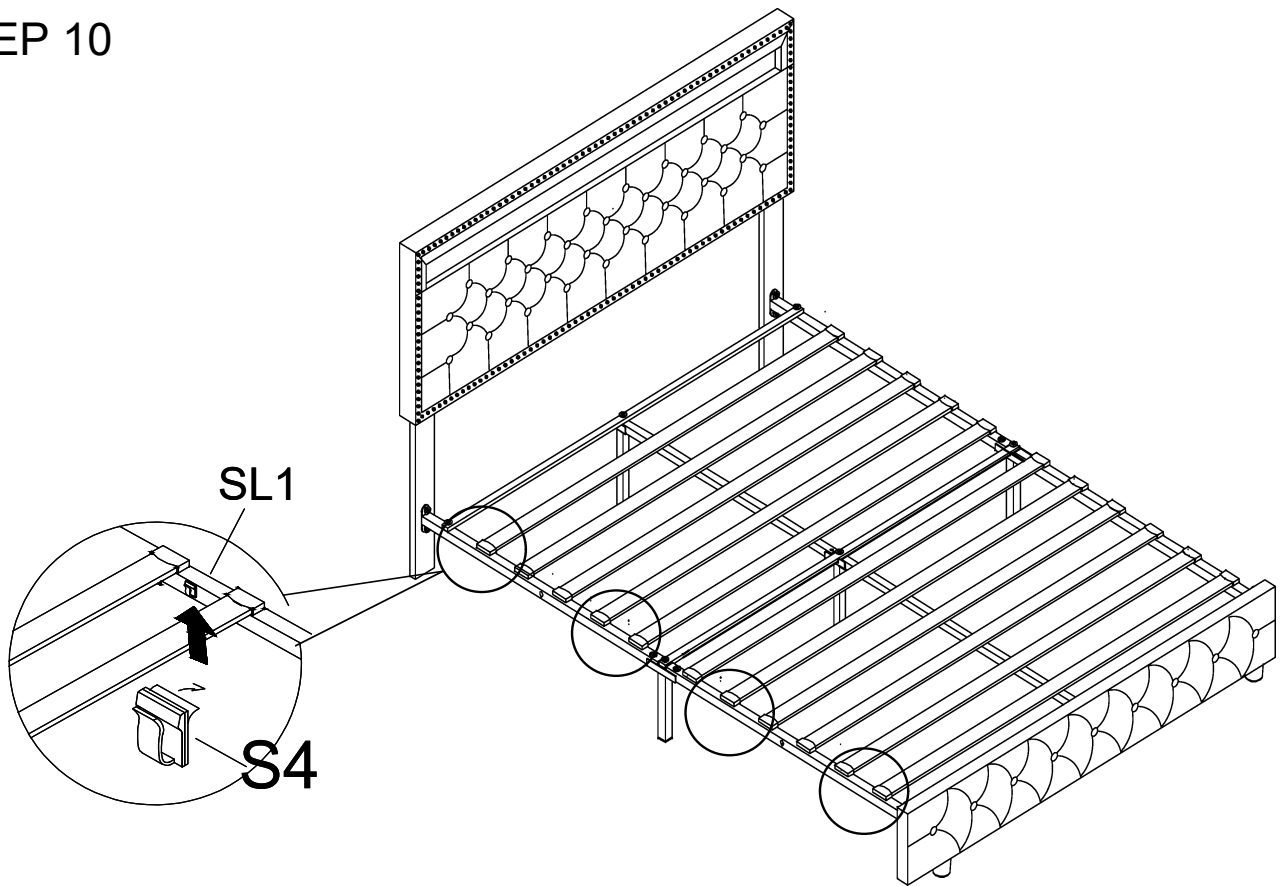
## STEP 9



T3 x 22PCS

# Assembly Instruction of (Bed)

## STEP 10

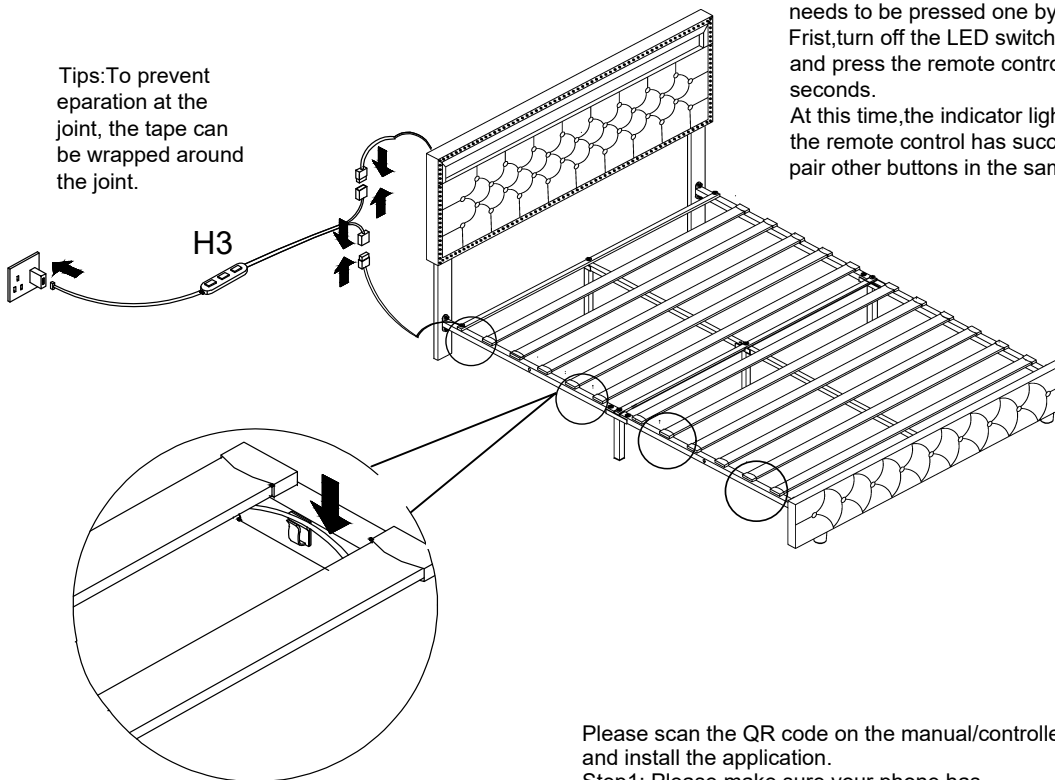


S4 x 4PCS

## STEP 11

The hocks need to be attached to the inside of the frame

Tips: To prevent separation at the joint, the tape can be wrapped around the joint.



When pairing the LED remote control, each button needs to be pressed one by one.

Frist, turn off the LED switch, turn on the LED power, and press the remote control switch button for 3-4 seconds.

At this time, the indicator light will flash, indicating that the remote control has successfully paired. You can pair other buttons in the same way.

Please scan the QR code on the manual/controller and install the application.

Step1: Please make sure your phone has Bluetooth enabled.

Step2: The LED light will automatically connect to the APP.



## Quick Start Guide for LED Light System

### Step 1: Powering On

Locate the Control Box on the connecting cable between the headboard light strip and the power adapter. Press the universal power symbol button to toggle the lights on or off. This button controls both the activation and deactivation of the light system, allowing you to easily manage the lighting at your convenience.

### Step 2: Adjusting Modes

Press the Mode (M) Button on the control box to toggle between the lighting modes. If the lights pulse on and off, do not worry; this is the 'Breathing Mode,' which is designed for a rhythmic illumination effect.

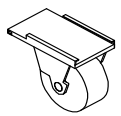
### Step 3: Activating the Remote Control

Remove the pull-tab from the battery compartment of the remote control to activate it. This tab is commonly used in electronics to prevent battery drain during storage.

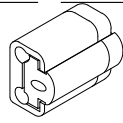
### Important Notes:

- 1.If the lights are off upon arrival, they may be in the 'Off' position from testing. Simply press the power button to activate.
- 2.The 'Breathing Mode' may initially surprise new users, but it is a standard feature intended to enhance the ambiance.
- 3.Ensure the pull-tab is fully removed for the remote to function properly.

## Assembly Instruction of (Drawer)



D3 x 16



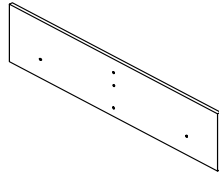
D2 x 8



U3 x 16

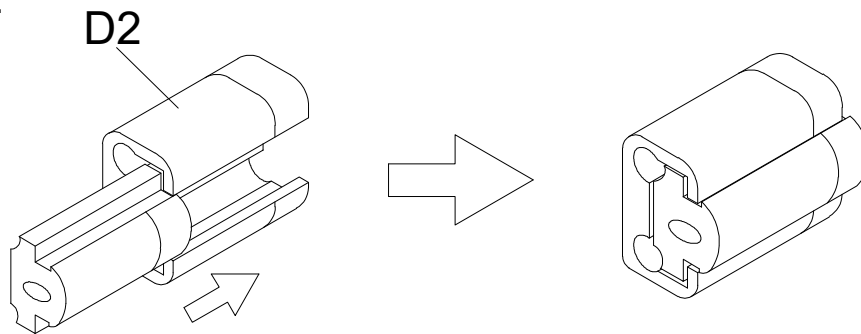


D1 x 4

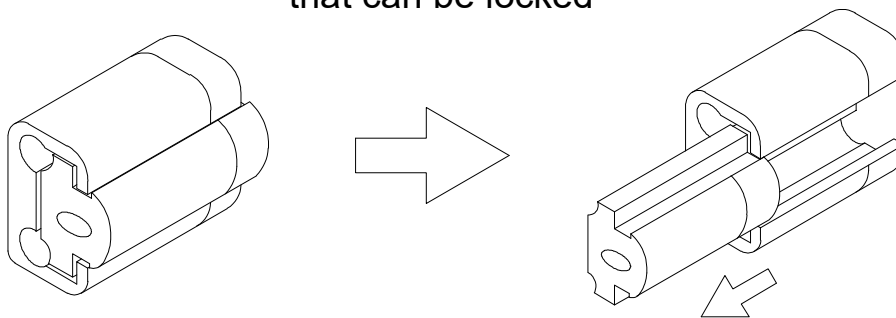


D4 x 4

### STEP 12

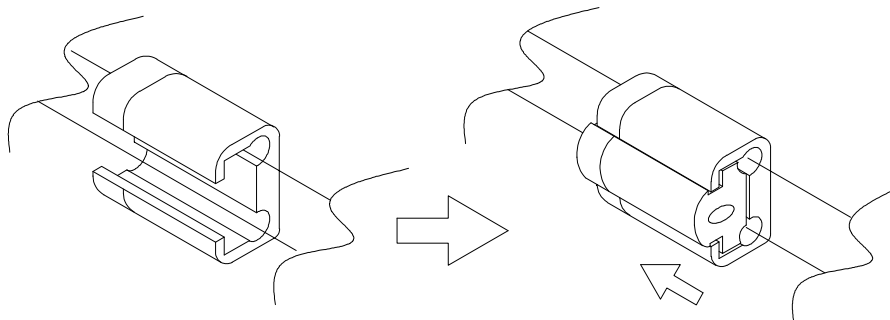


So this is the only direction  
that can be locked



Please pull the buckle out by following  
the direction indicated by the arrow

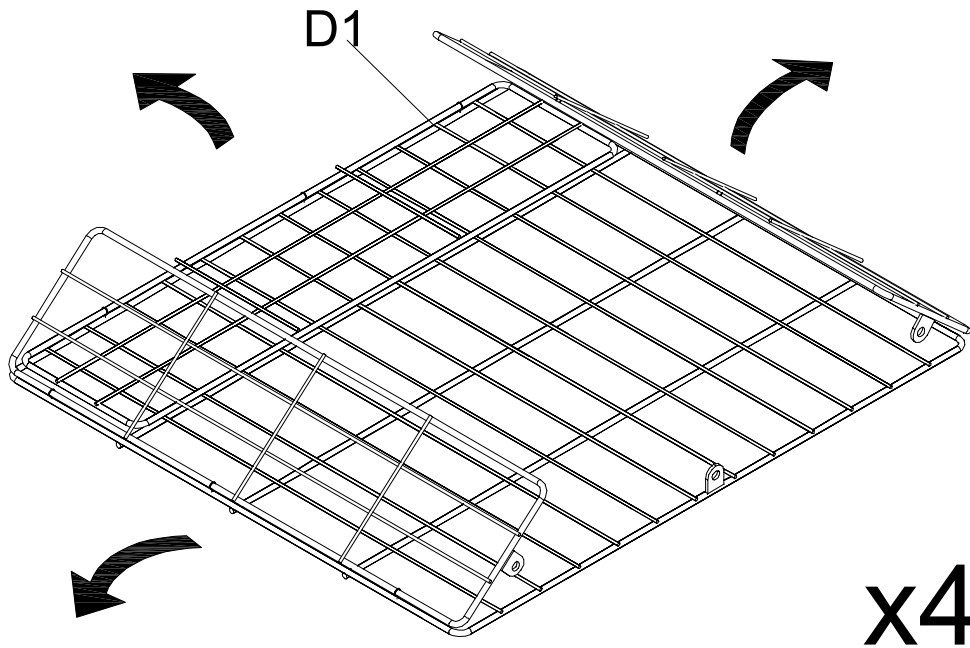
### STEP 13



Place round iron tube as shown  
for better drawer assembly

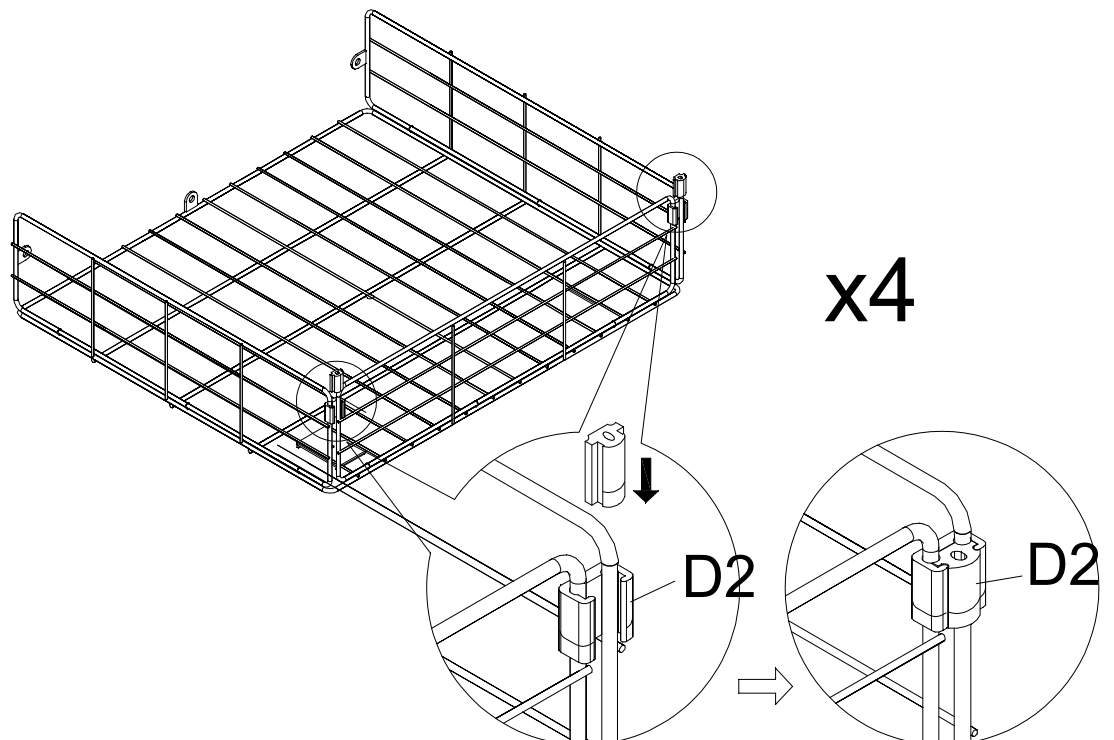
## Assembly Instruction of (Drawer)

### STEP 14



### STEP 15

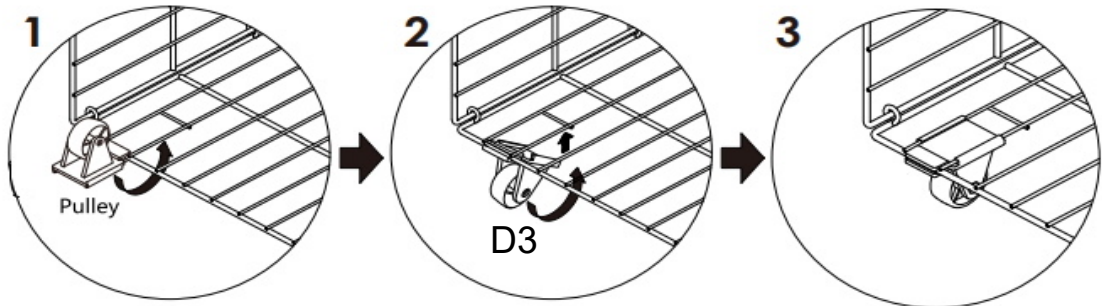
Pull up the side and rearwall of the drawer and lock it with plastic buckle(D2)



D2 x 8PCS

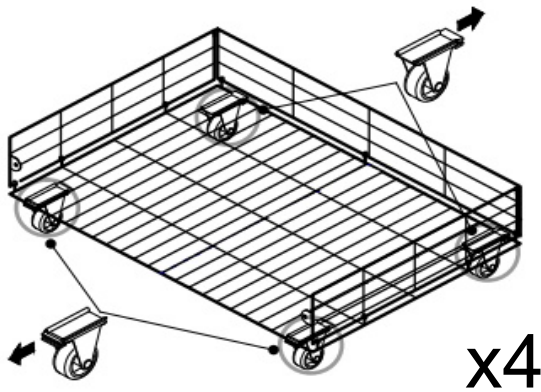
# Assembly Instruction of (Drawer)

## STEP 16



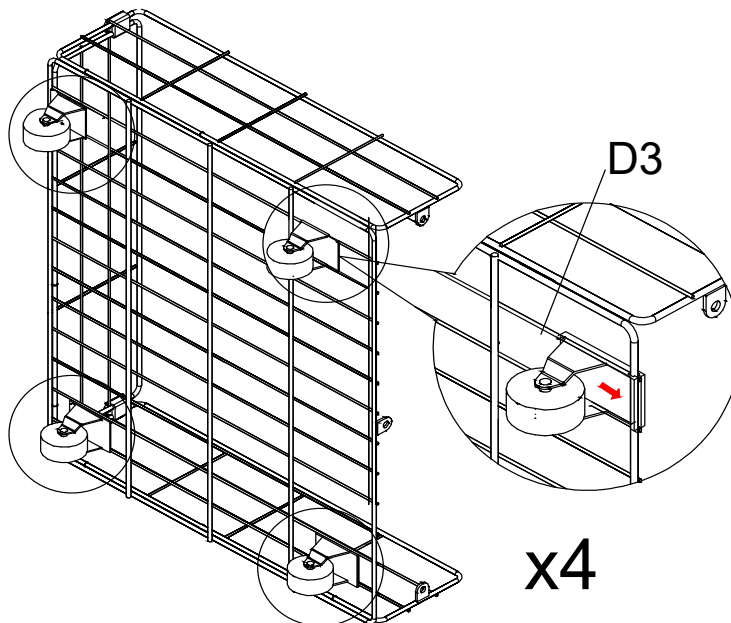
1. As shown in the figure Clip the pulley into position first

2. Then push the pulley to the side at the same time, clamp the iron wire at the edge it takes a little strength



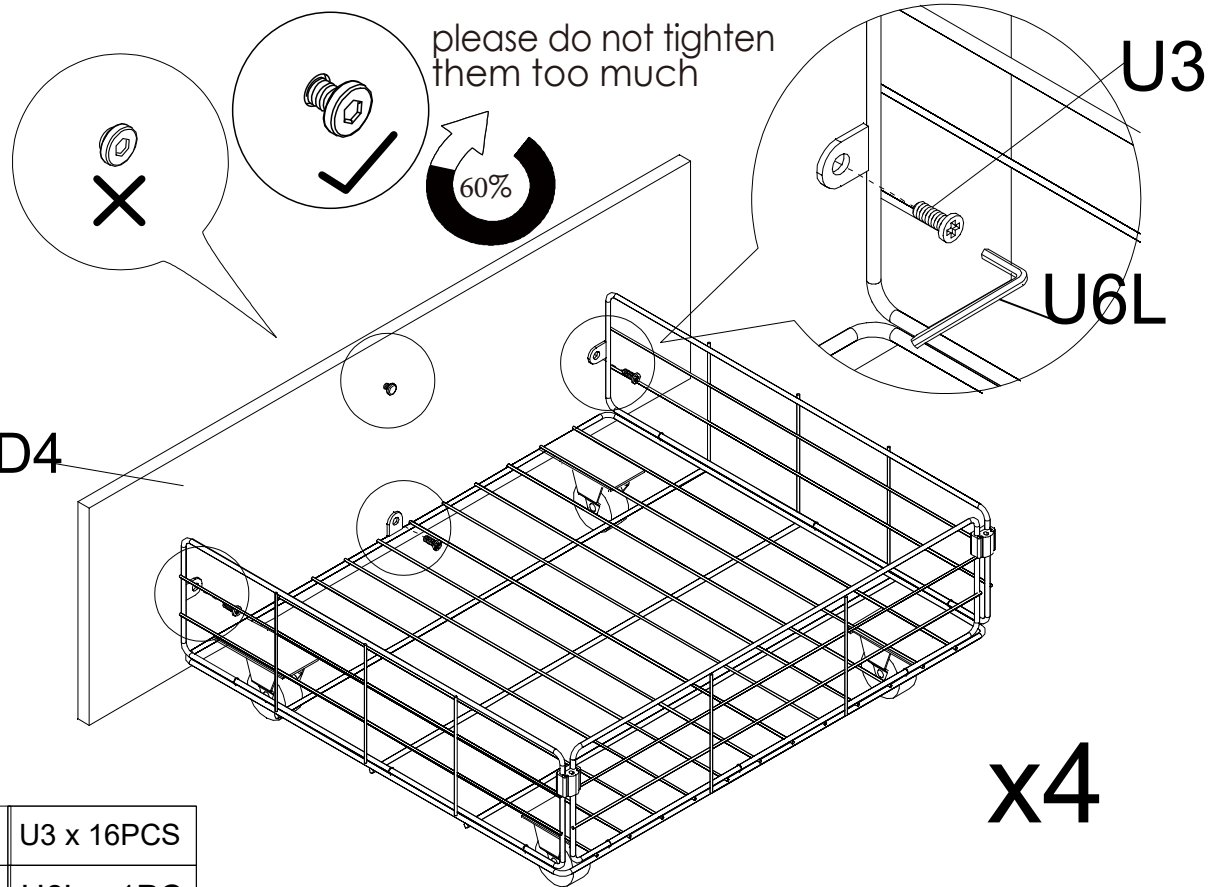
Place the round iron tubes as shown for better assembly of the drawers.

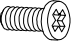

## STEP 17 Clip the pulley into position first



# Assembly Instruction of (Bed)

## STEP 18



	U3 x 16PCS
	U6L x 1PC

## STEP 19



**Push-in Positioning:** Align the assembled drawer with the bed frame and push it in. When nearly fully inserted, gently lift the drawer front panel to align the screw with the hole and insert it. This step is crucial; otherwise, the drawer won't close properly

**Pull-out Operation:** When pulling out the drawer, gently lift the front panel to align the screw with the hole, then pull it out

