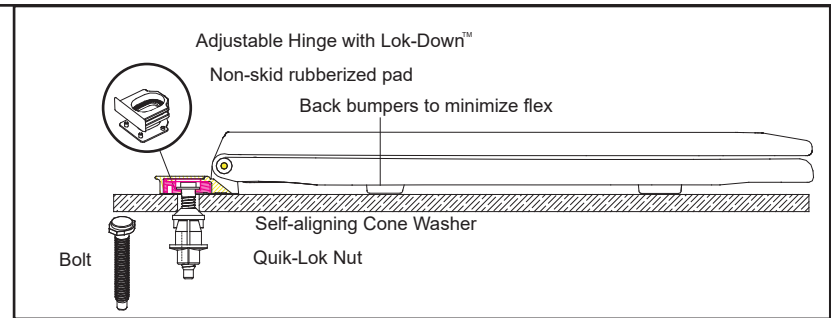


# PLUMBTECH™

## Installation Instructions

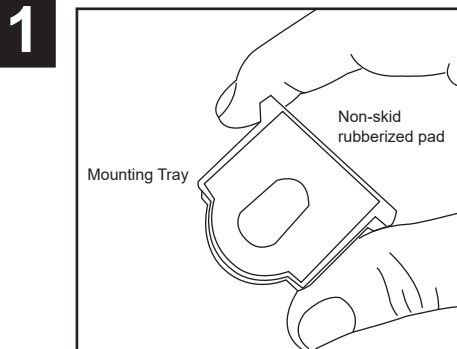
# Quik-Lok™

Installation Technology

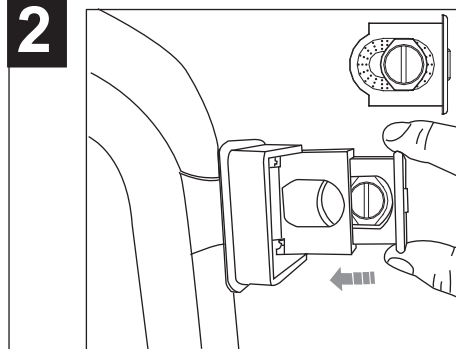


Thank you for selecting Plumbtech™ or Bathdecor seat,™ where fashion, design, features, quality and value meet. To ensure that your installation proceeds smoothly--please, read these instructions carefully before you begin. Proper installation will minimize possibility of seat becoming loose during normal use.

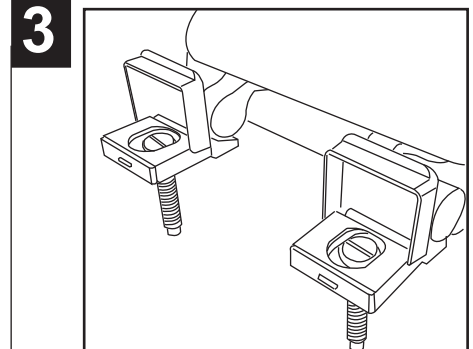
**NO TOOLS REQUIRED FOR INSTALLATION.** If the thumbnut can not be fully tightened with one's hand, please use pliers to complete the tightening process.



Open the hardware pack and remove the mounting tray for the hinge. If the non-skid rubberized pad is not attached to the bottom of the tray, insert the post into the mounting holes.



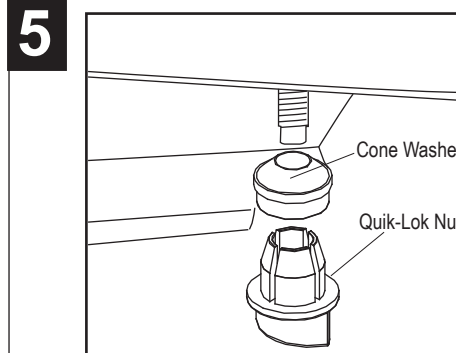
Place the bolt into the mounting tray. Make sure the bolt is stopped at the position as the small image. Push the tray into the hinge.



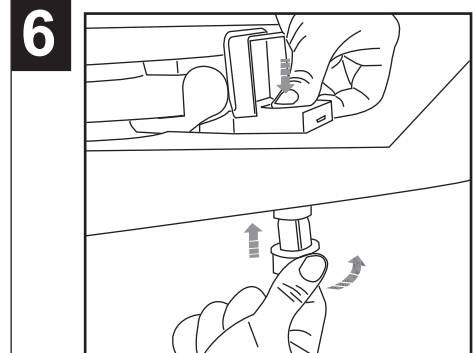
Place another bolt and mounting tray into the hinge. Caution – do not close the cover of the hinge.



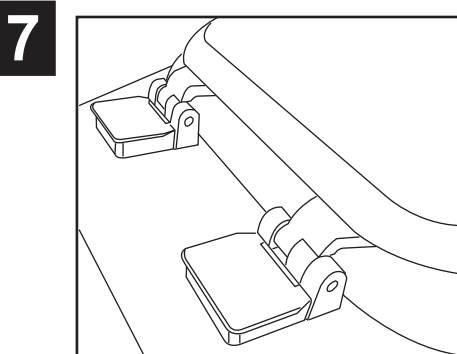
Align bolts with two mounting holes on the toilet bowl and insert. Carefully, adjust seat to desired position.



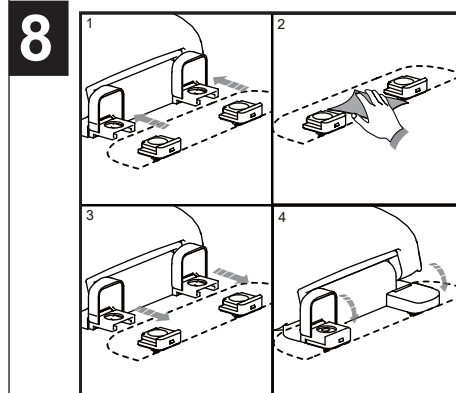
Put the cone washers on to the bolts, Push the Quik-Lok nut up the bolts.



Press on the head of the bolt while pushing the Quik-Lok nut up the bolt. Screw the nut to tighten it on the bolt.



Close cover of mounting hinge.



To better clean the toilet, raise the covers and slide toilet seat forward. To replace the seat, slide the seat back on to the mounting pad and close covers. To clean the seat, wipe with warm soapy water with an antimicrobial ingredient like those found in a dishwashing detergent. Common bathroom cleaners that are non-caustic and non-abrasive may be used. Do not use abrasive pads, acid based or petroleum based cleaners.

Plumbing Technologies, LLC  
5245 Vista Blvd., Suite F-3-339  
Sparks, NV 89436  
Phone: 973-998-9778  
Fax: 973-998-9780  
email: customerservice@plumbtechseats.com