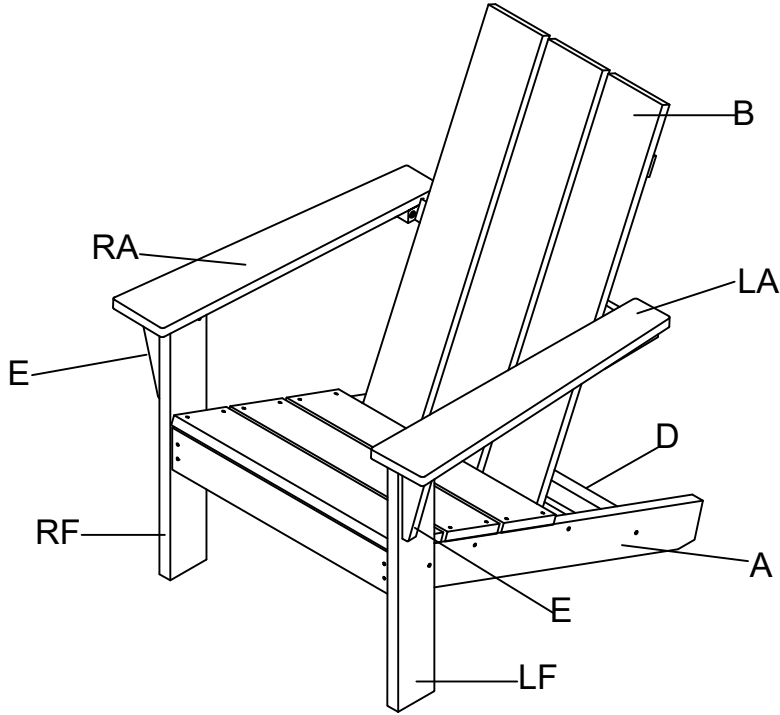


ASSEMBLY INSTRUCTIONS MODEL: PE2301

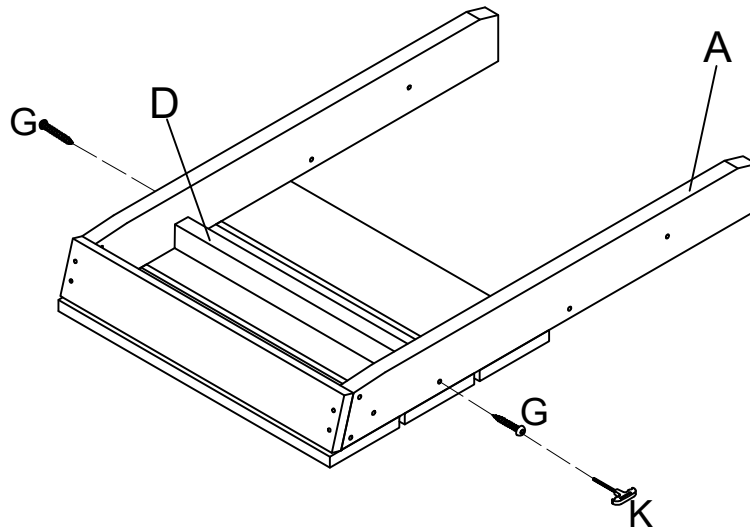
STRUCTURE DIAGRAM:



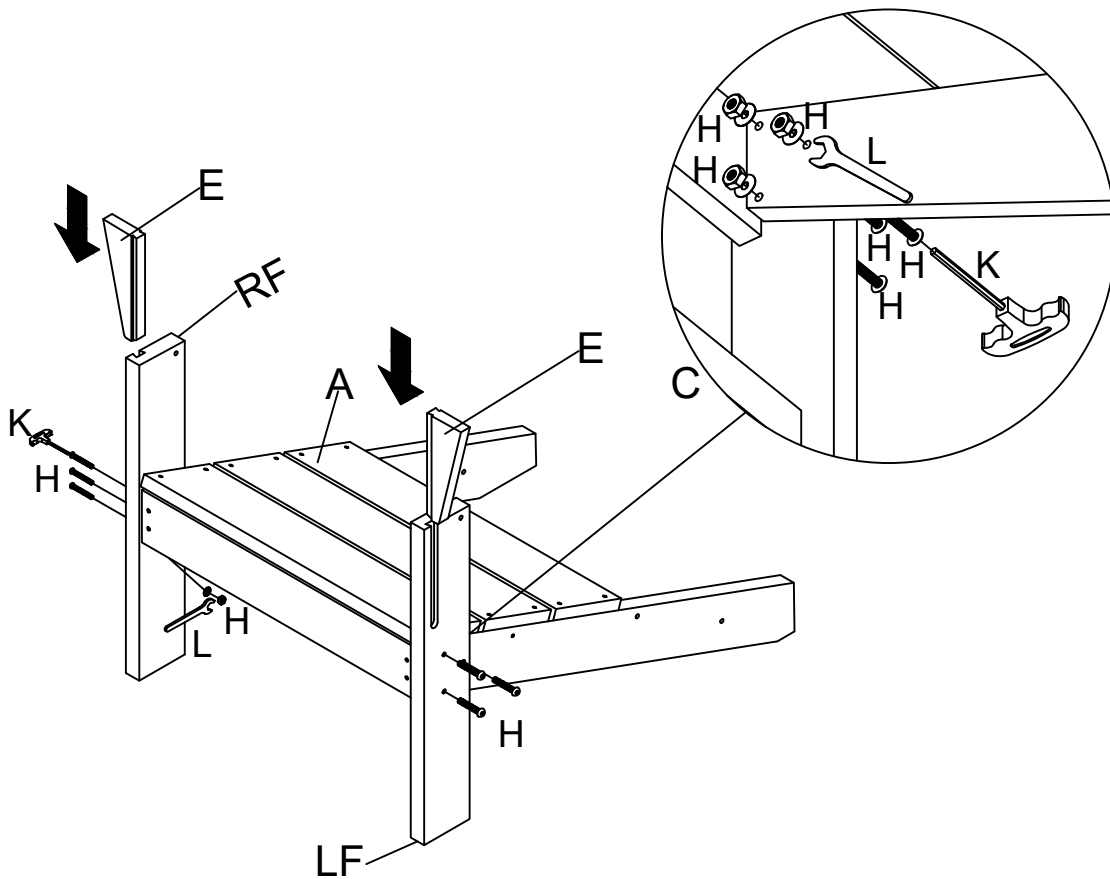
CHAIR PARTS INCLUDED:

	(A) Seat x 1 unit		(G) 2" Screw x 6 units
	(B) Backrest x 1 unit		(H) 2.36" Bolt with Washer & Nut x 6 sets
	(LA) Left Armrest x 1 unit		(I) 2.76" Bolt with Washer & Nut x 2 sets
	(RA) Right Armrest x 1 unit		(J) 3.15" Screw x 2 units
	(LF) Left Foot x 1 unit		(K) T-Wrench x 1 unit
	(RF) Right Foot x 1 unit		(L) Nut Wrench x 1 unit
	(D) Rear Brace x 2 units		
	(E) Arm Support x 2 units		

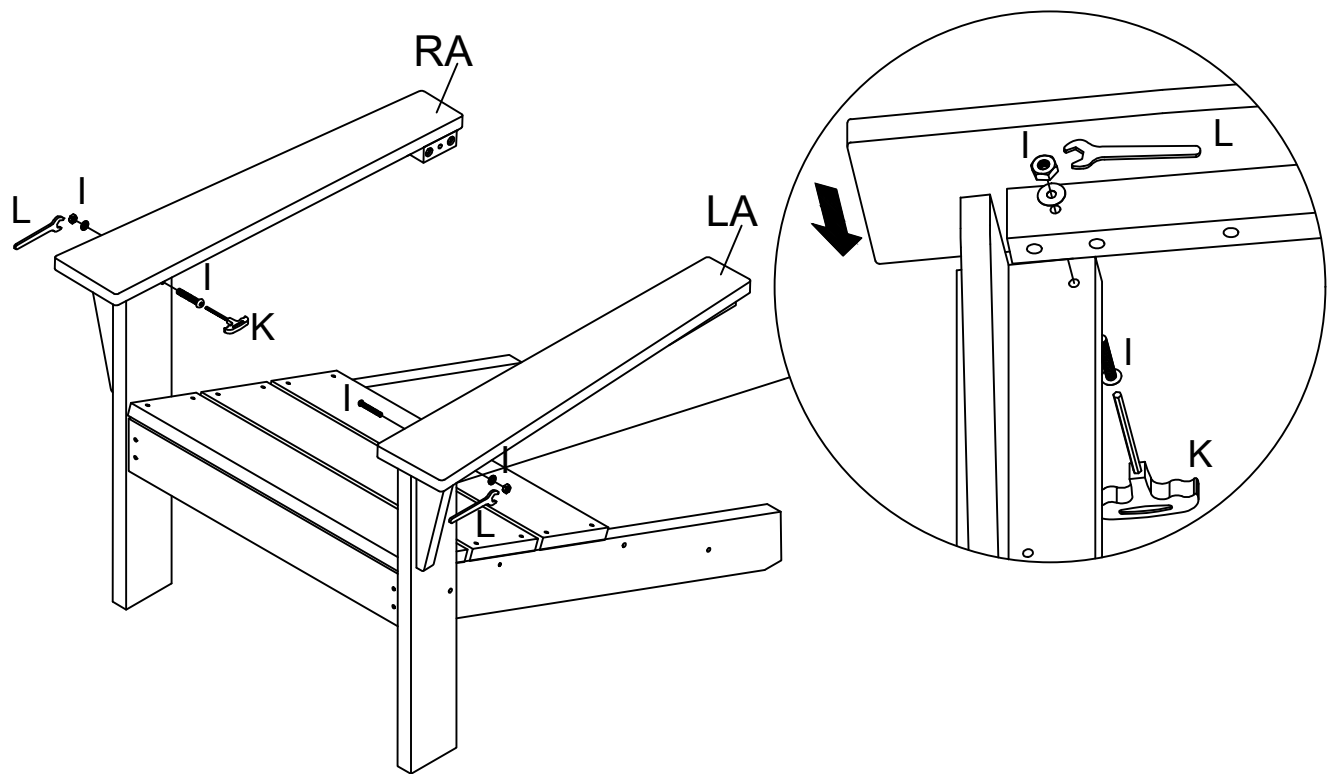
STEP 1:



STEP 2:



STEP 3:



STEP 4:

