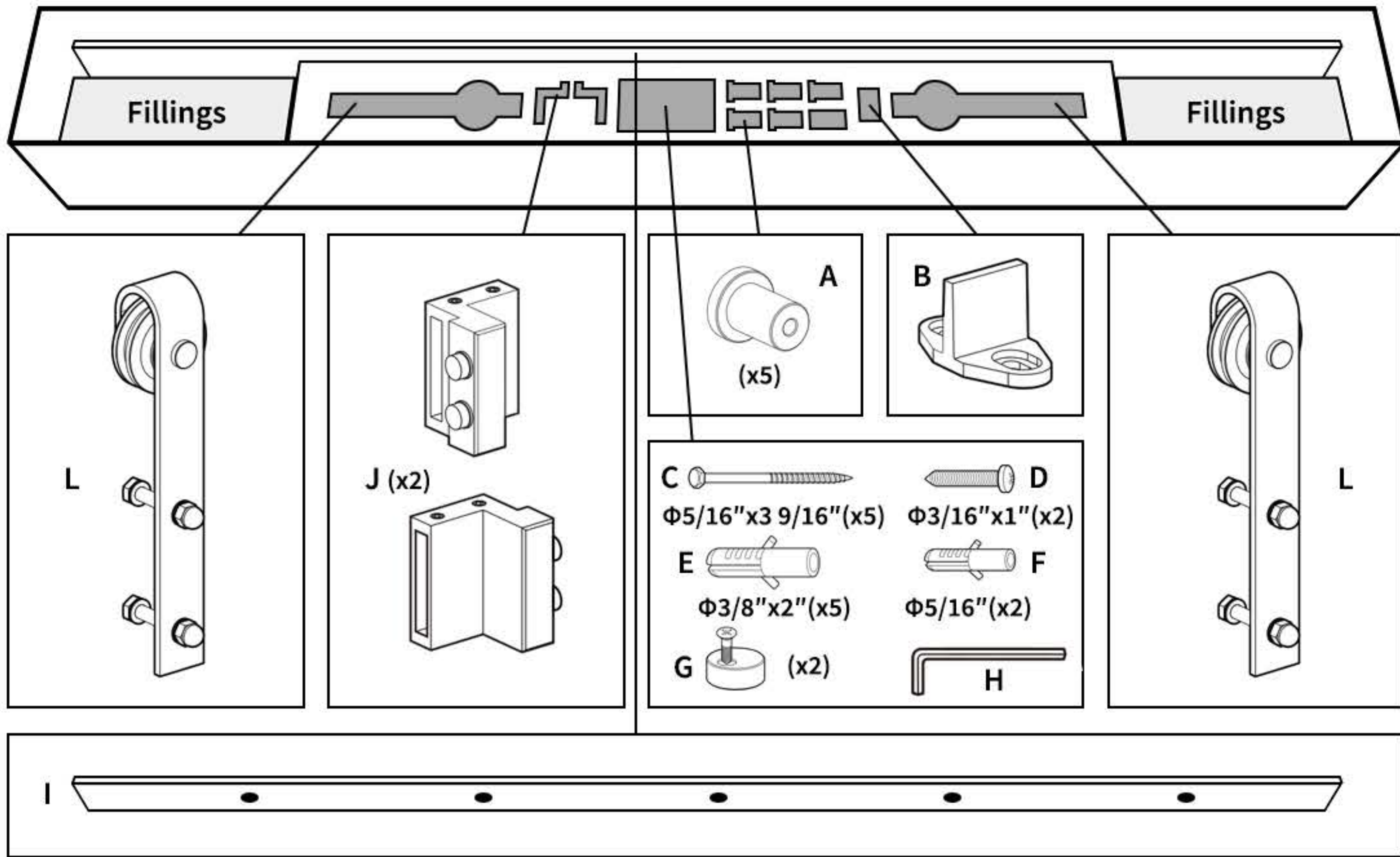


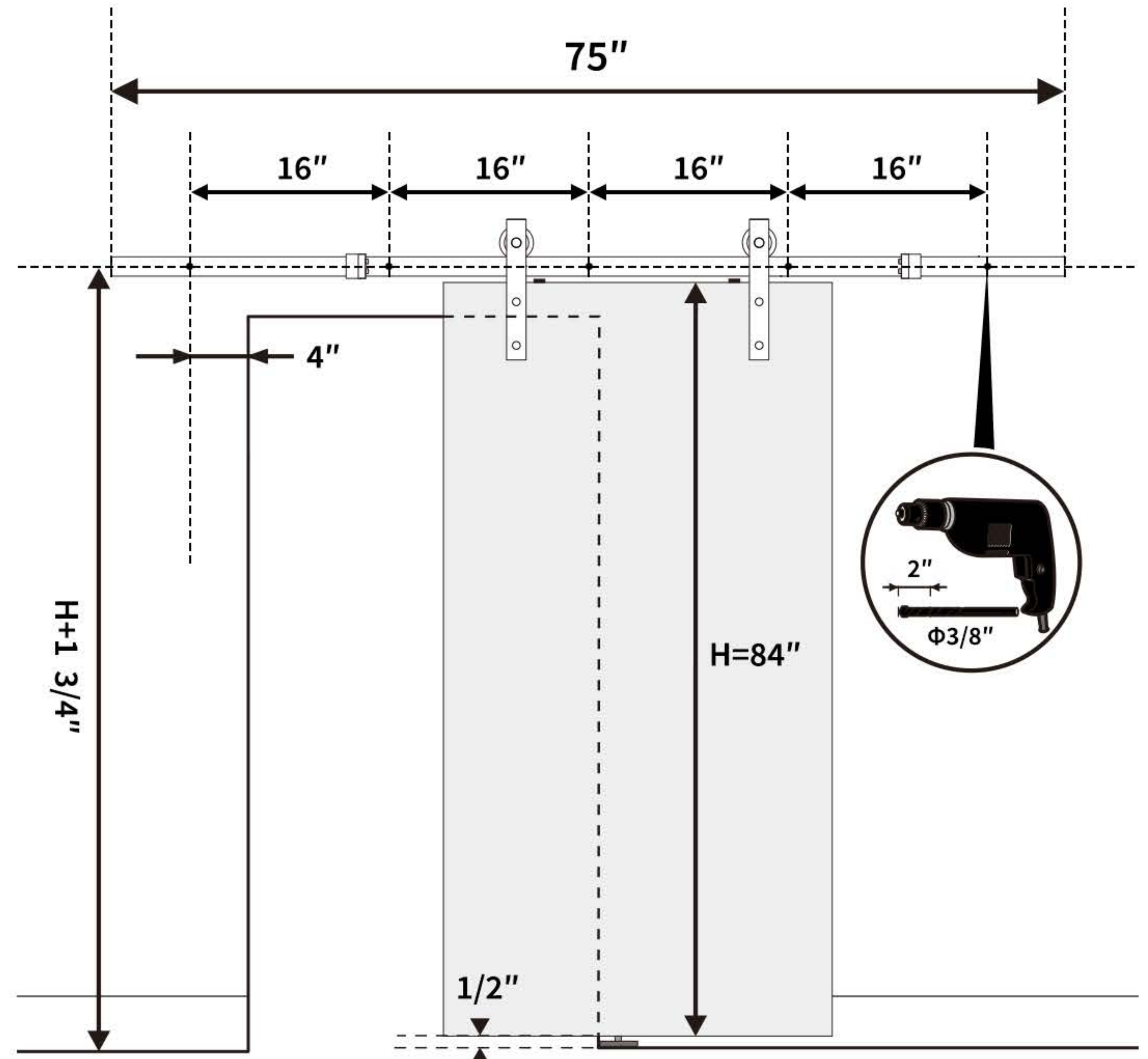
75" SLIDING BARN DOOR

HARDWARE INSTALLATION MANUAL

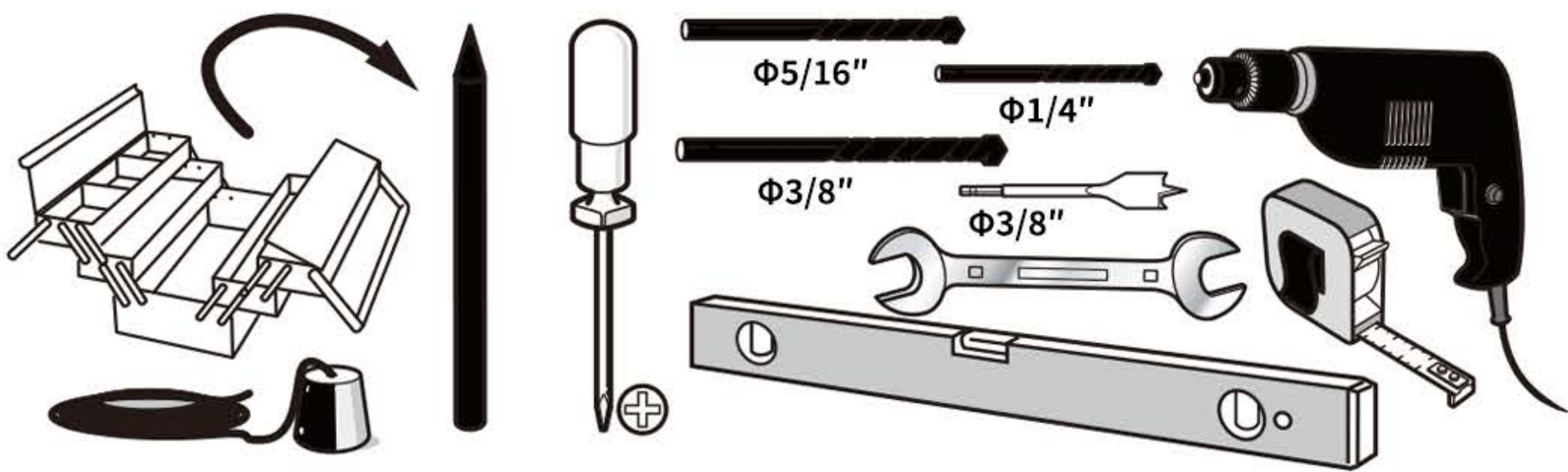
Accessories included



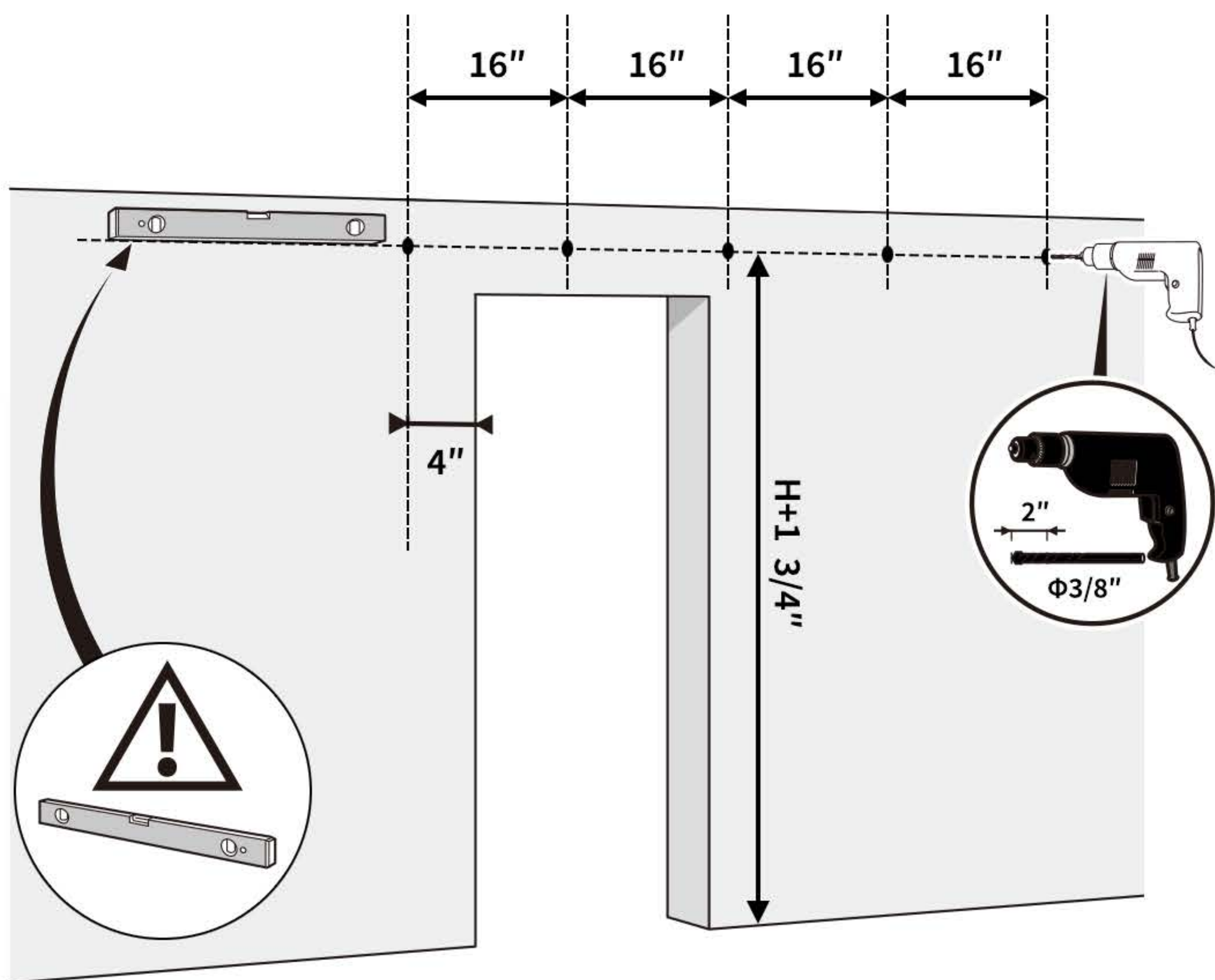
Installation Dimensions



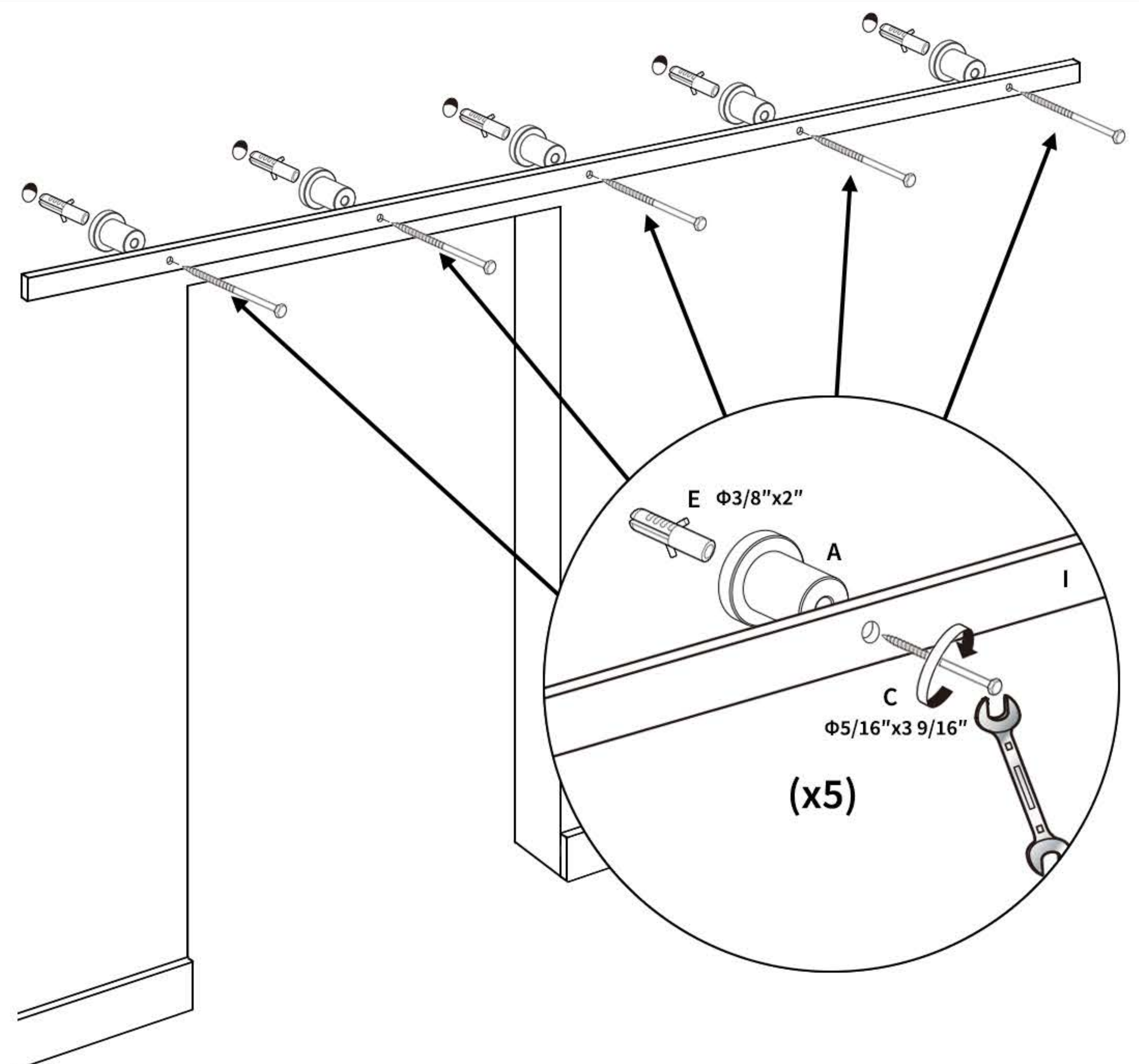
Tools needed(Not Provided)



STEP 01 : Measure for the track

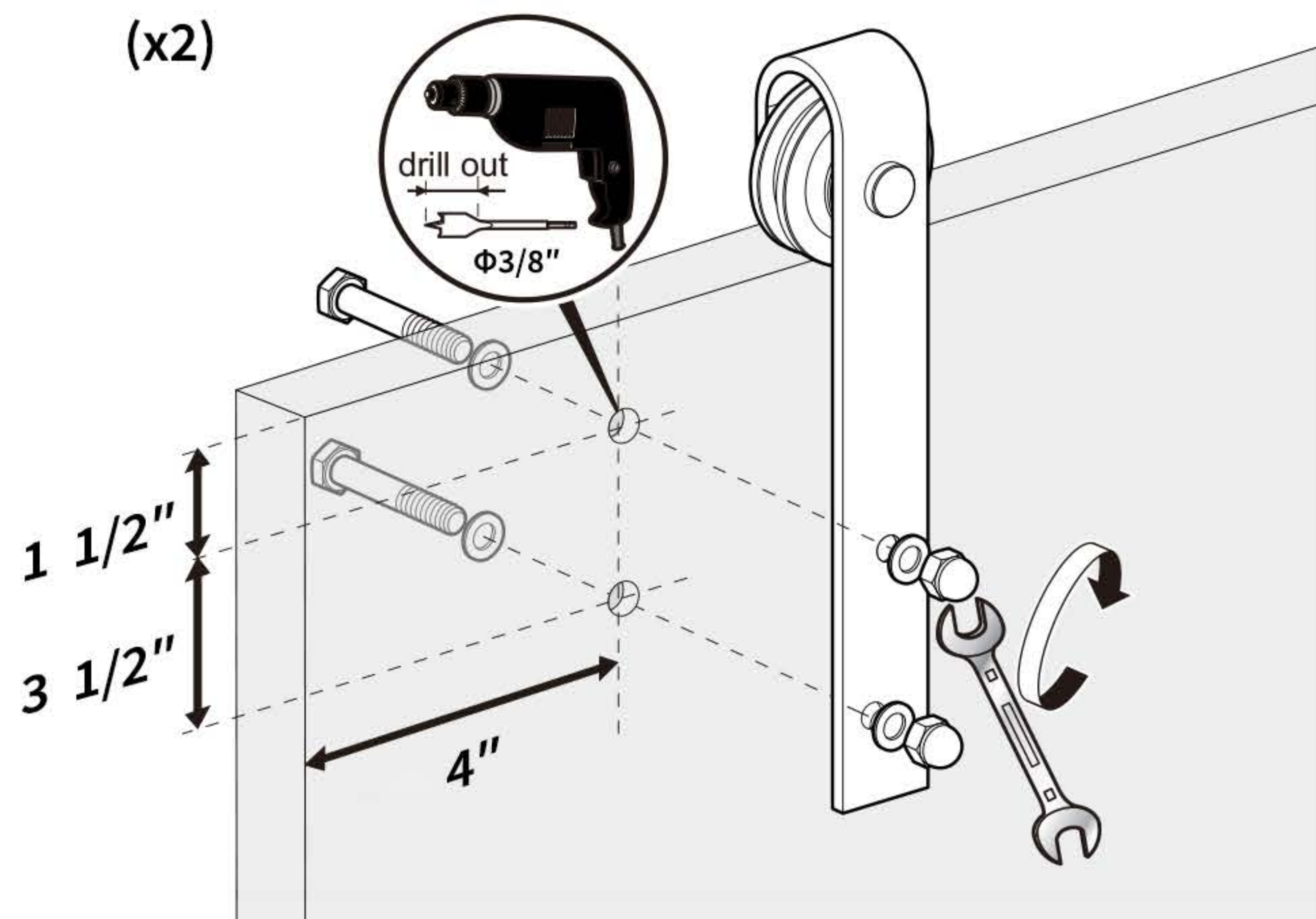


STEP 02 : Attach track to the wall

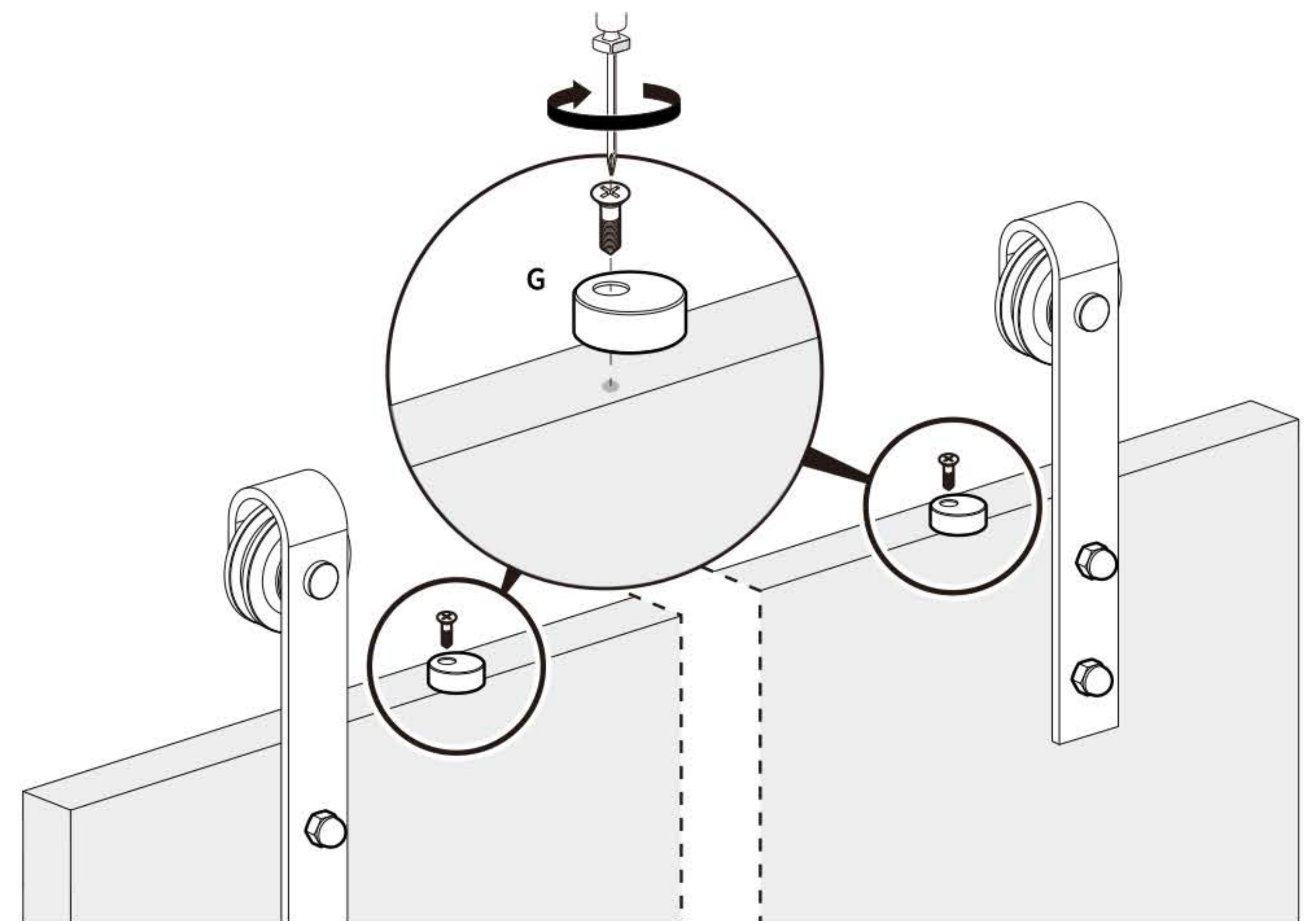


75" SLIDING BARN DOOR HARDWARE INSTALLATION MANUAL

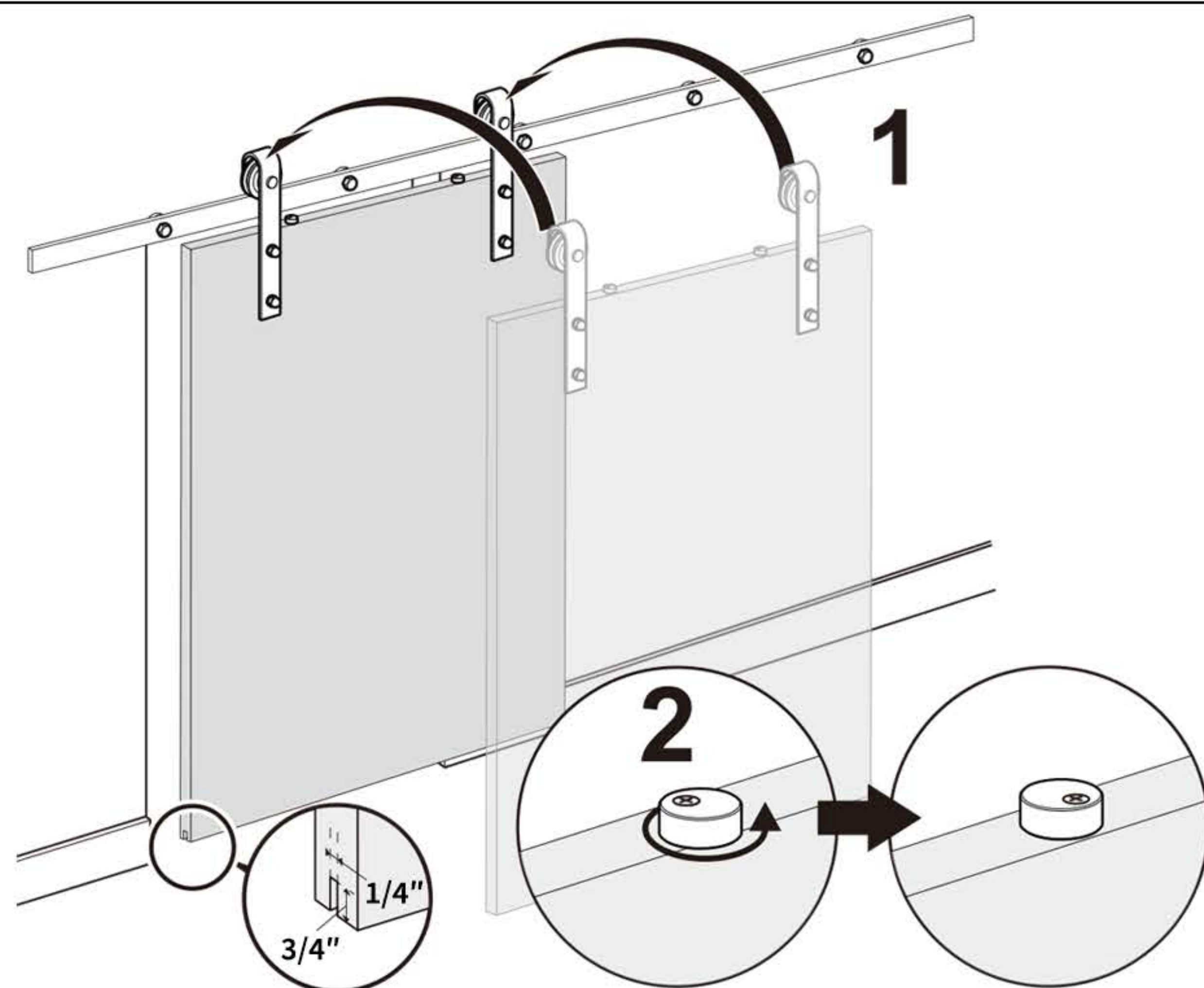
STEP 03 : Install the roller to the top of door



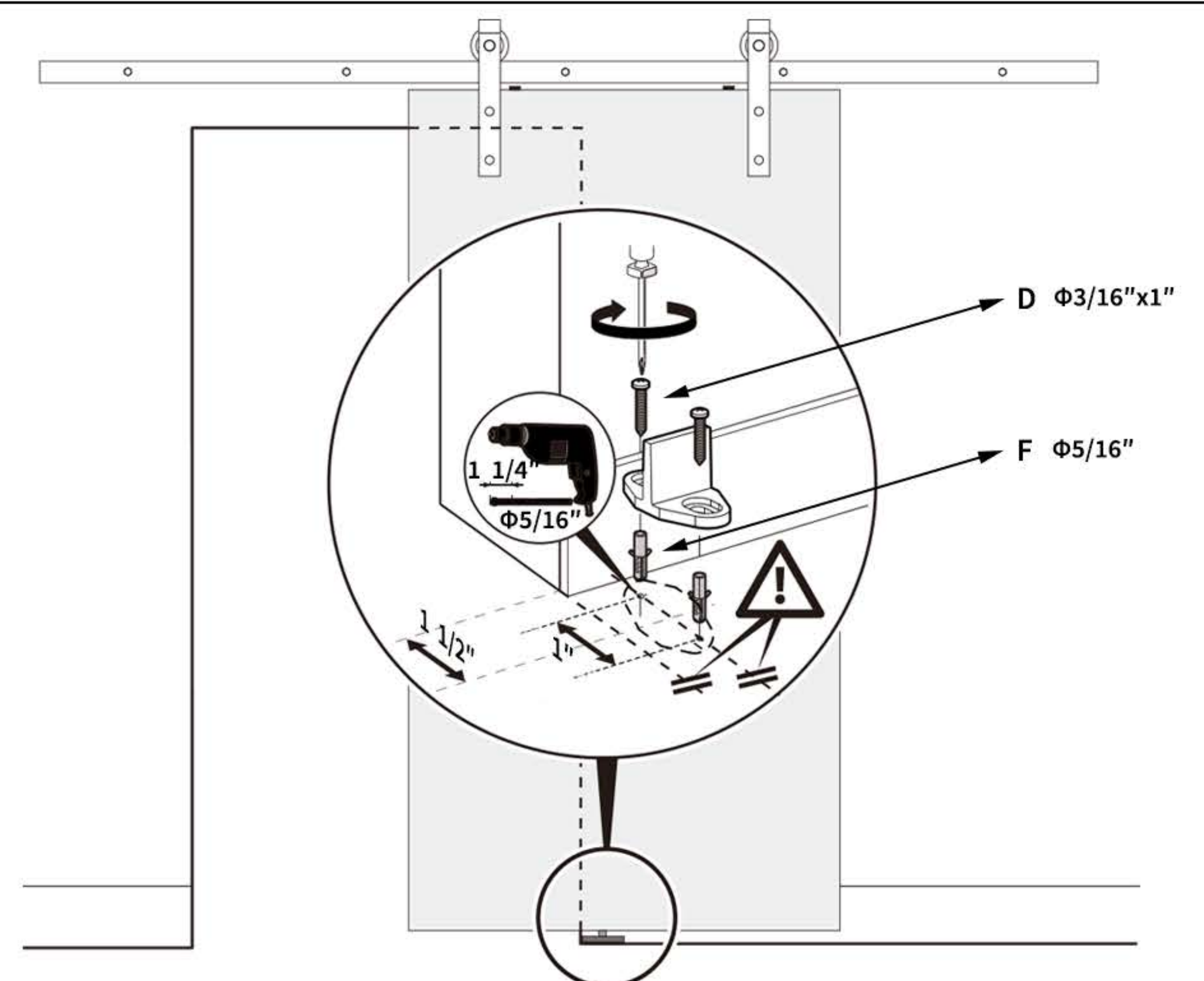
STEP 04 : Install the Anti-jump Locks between two rollers



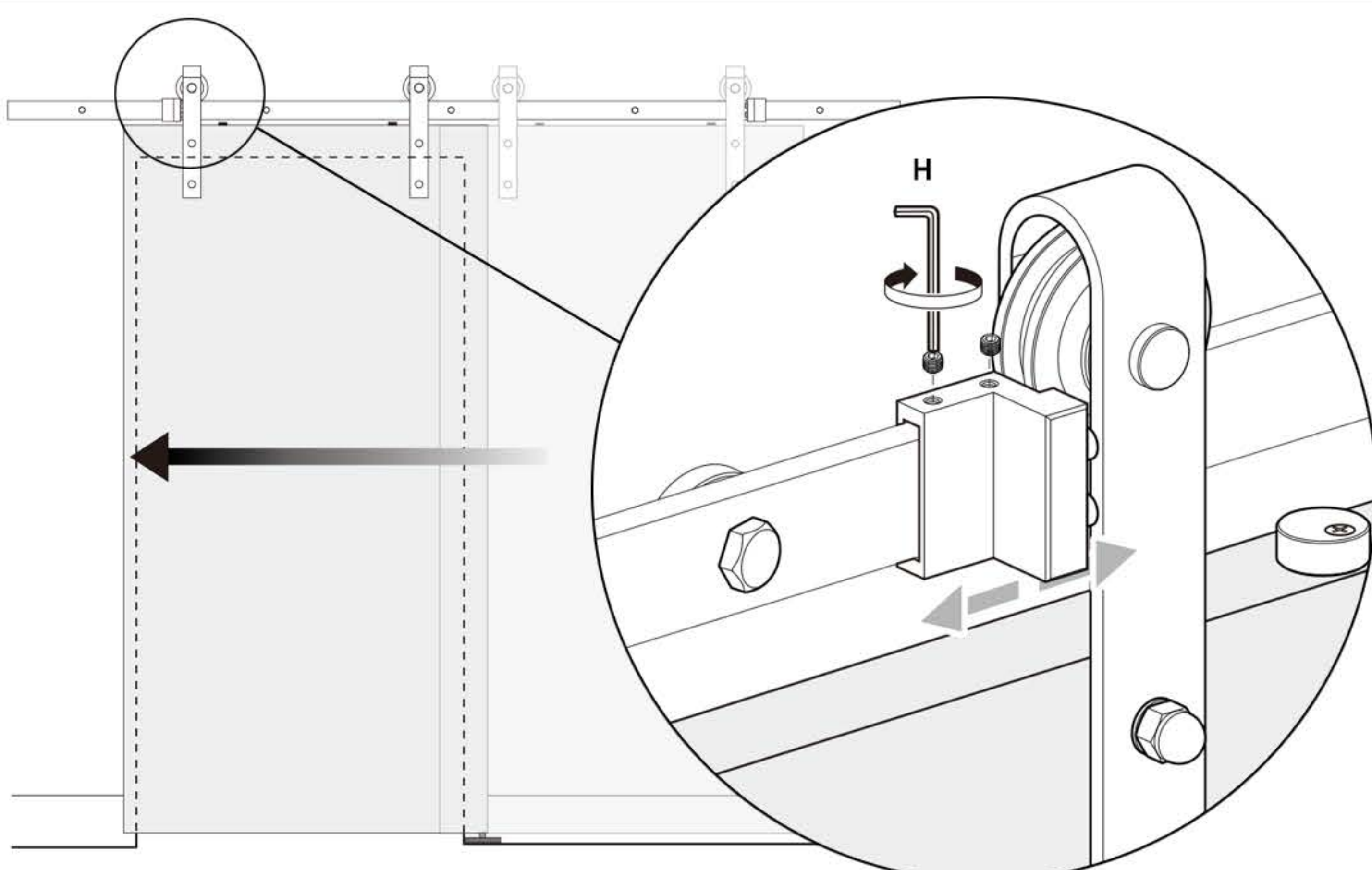
STEP 05 : Hang the door on the track rail



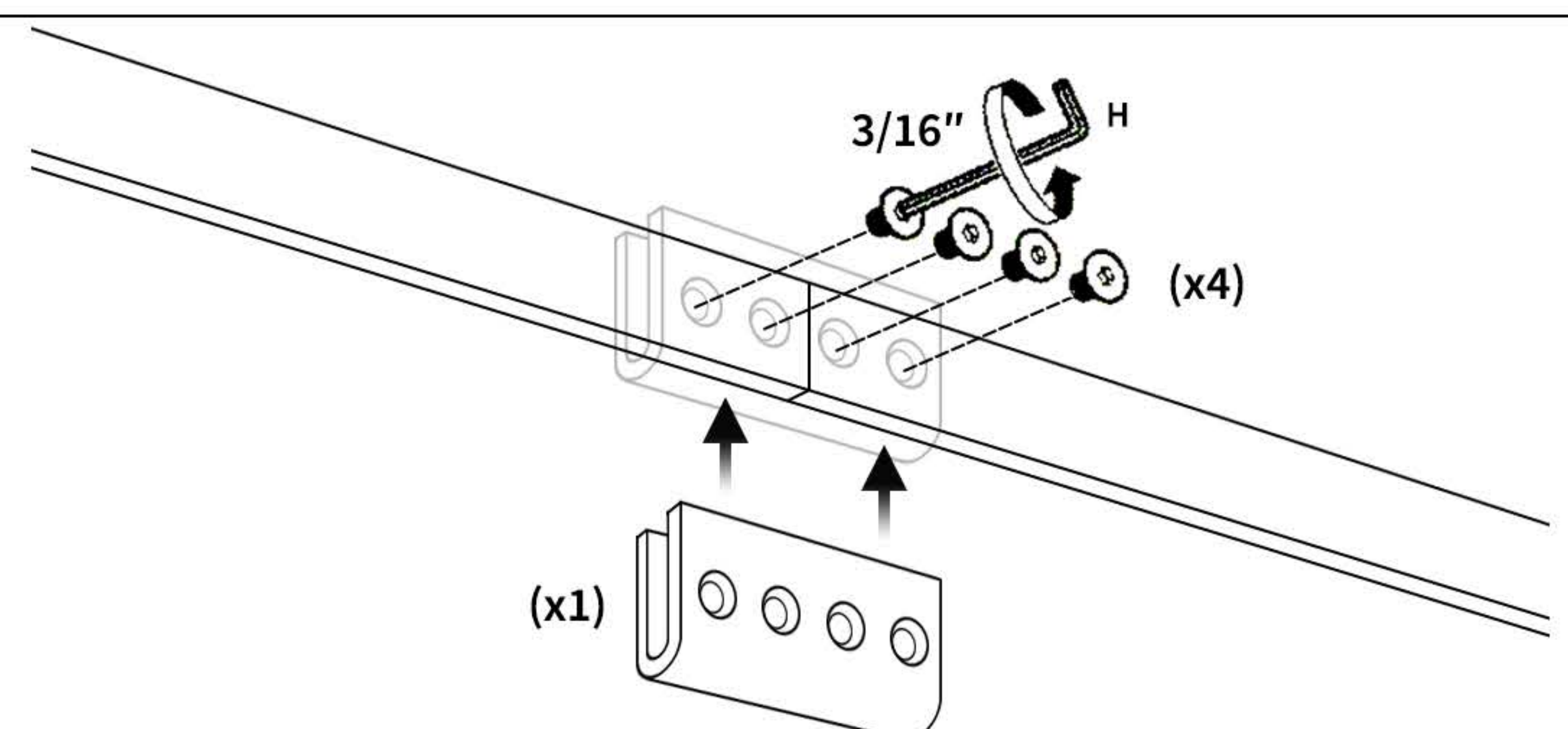
STEP 06 : Install the floor-mount guide



STEP 07 : Stoppers can be placed inside the end mounting track bolts to shorten the sliding distance



Connector Option for Double Doors: Connect the two tracks in the middle by using U shape connect



NOTE : Connector is only included if you purchase double door sliding door hardware, it is NOT included if you purchase only one set.