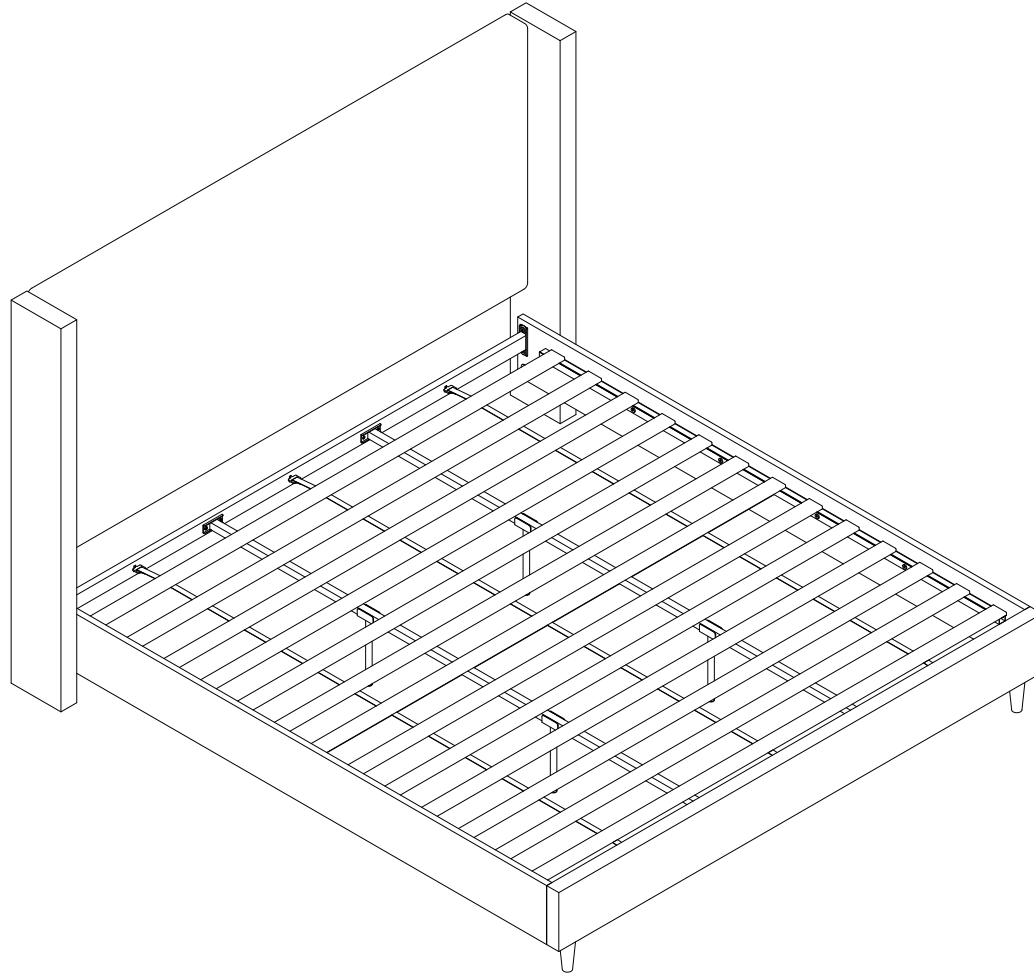


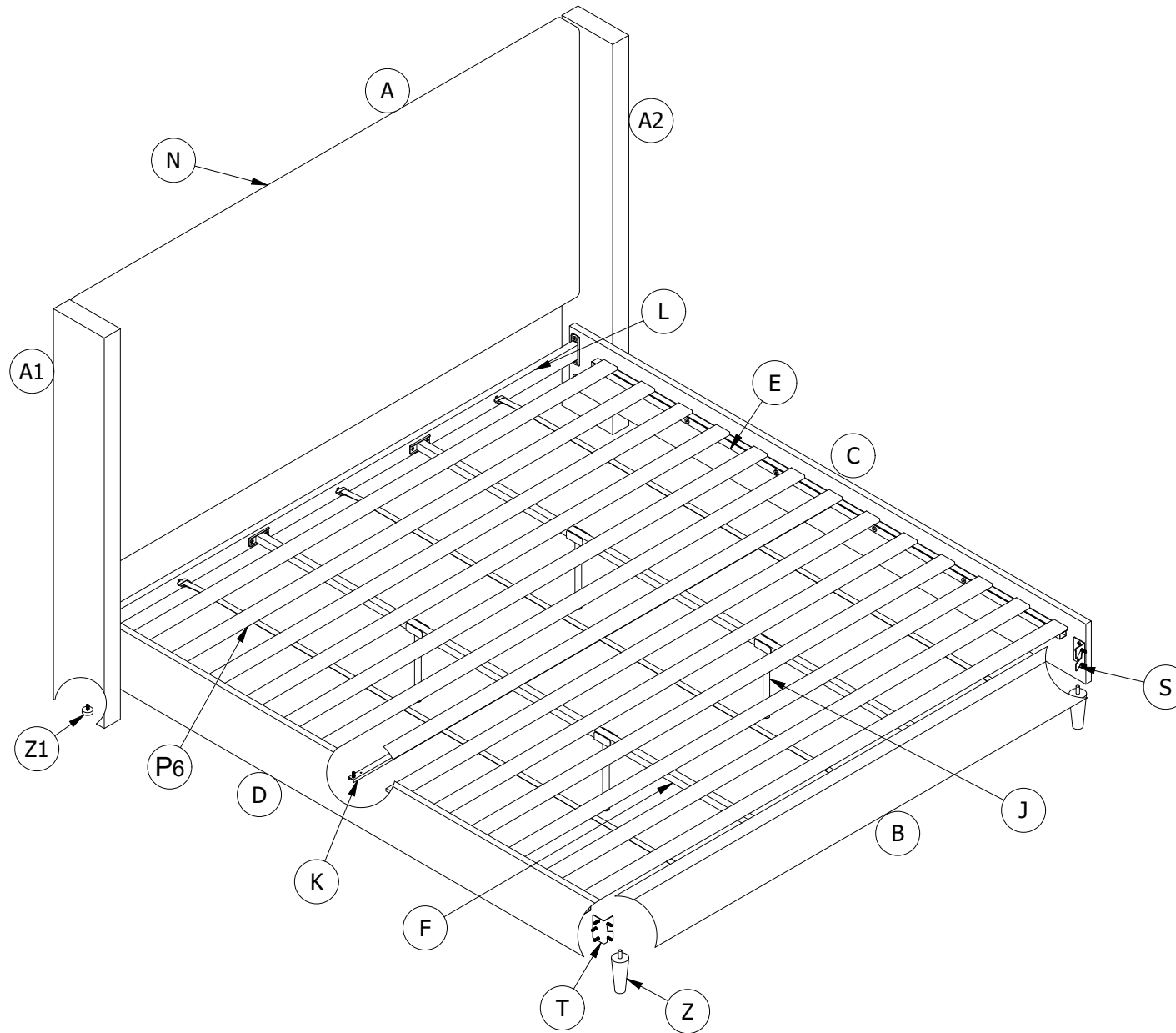
# Upholstered Bed

## King

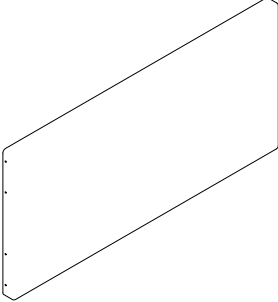

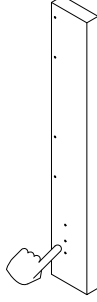
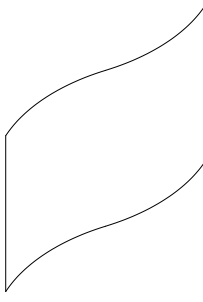
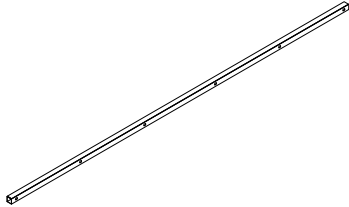
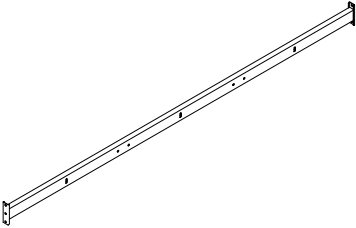
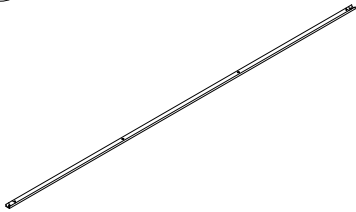
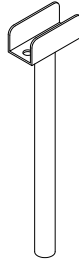
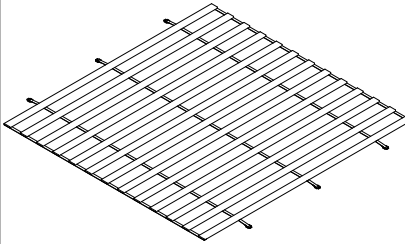
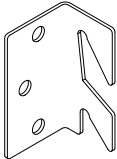
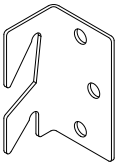
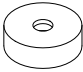

**Weight Limit:**  
Bed: 1000LBS / 454KG



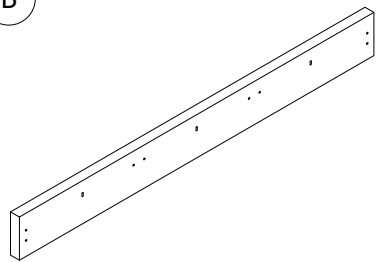
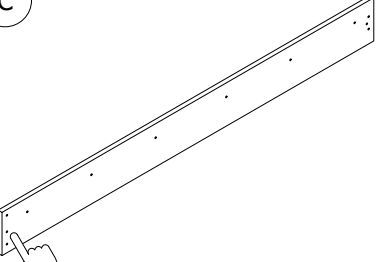
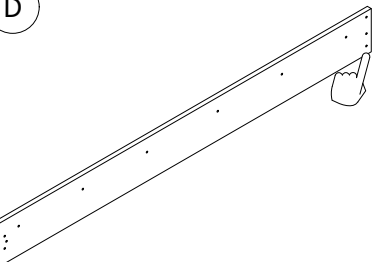
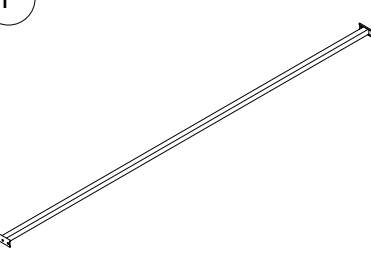
# PARTS





# PARTS LIST - BOX 1/2

				
<p>Headboard 1 PC</p>	<p>Side Board 1 PC</p>	<p>Side Board 1 PC</p>	<p>Back Cover 1 PC</p>	<p>Side Rail 2 PCS</p>
				
<p>End Rail 1 PC</p>	<p>Cross Brace 1 PC</p>	<p>Support Leg 4 PCS</p>	<p>Wooden Slats 1 PC</p>	<p>Bracket 1 PC</p>
			<p><b>⚠</b> Each part has a unique part number. Please reference the appropriate part number when contacting customer service for replacement parts.</p> <p><b>⚠</b> Before throwing any packaging, please verify all contents and make sure you have received all the parts listed above!</p>	
<p>Bracket 1 PC</p>	<p>Foot 2 PCS</p>	<p>Leg 2 PCS</p>		

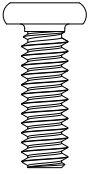
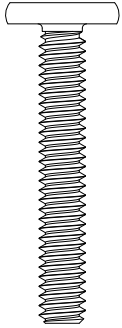
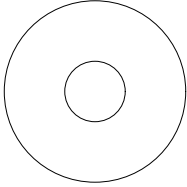


## PARTS LIST - BOX 2/2


 <p>Diagram B shows a long, narrow rectangular footboard with a series of small holes along its length.</p>	 <p>Diagram C shows a long, narrow rectangular side panel with a series of small holes along its length. A hand is shown pointing to the bottom edge.</p>	 <p>Diagram D shows a long, narrow rectangular side panel with a series of small holes along its length. A hand is shown pointing to the top edge.</p>	 <p>Diagram F shows a long, narrow rectangular center rail with a series of small holes along its length.</p>
<p>Footboard 1 PC</p>	<p>Side Panel 1 PC</p>	<p>Side Panel 1 PC</p>	<p>Center Rail 2 PCS</p>


 Each part has a unique part number. Please reference the appropriate part number when contacting customer service for replacement parts.

 Before throwing any packaging, please verify all contents and make sure you have received all the parts listed above!

## HARDWARE LIST

<b>1</b> 	<b>2</b> 	<b>3</b> 	<b>4</b> 	<b>5</b> 
1/4" X 3/4" Bolt 32 PCS	1/4" X 1 9/16" Bolt 26 PCS	1/4" Metal Washer 14 PCS	1/4" Spring Washer 6 PCS	4mm Allen Key 1 PC

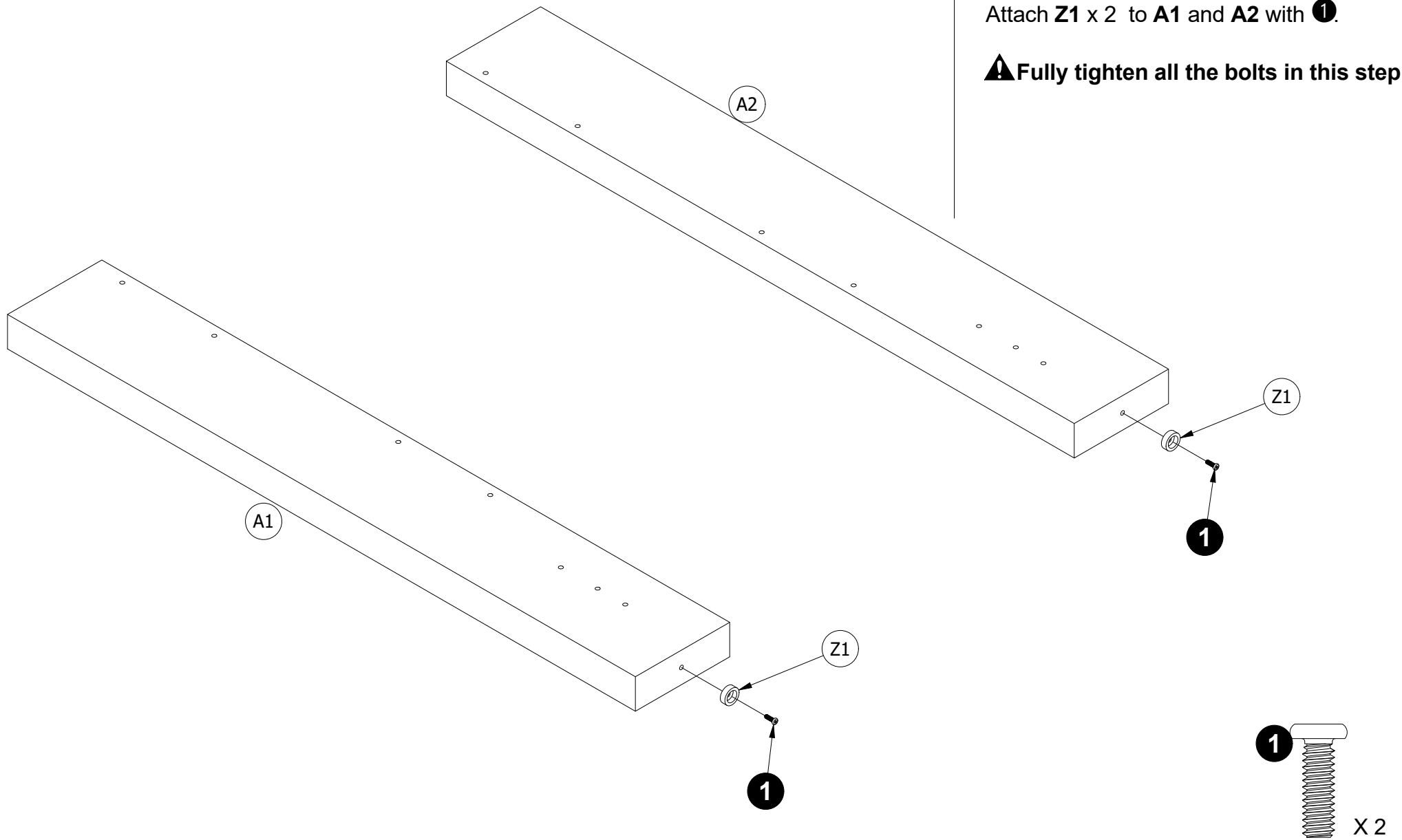
 Please do not completely tighten all the hardware, until the entire assembly is complete, unless otherwise indicated in the step-by-step instructions.

 The screw(s), bolt(s) to be used at each step are shown in actual size in the lower right corner of the page.

# Step 1

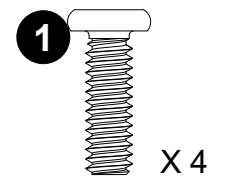
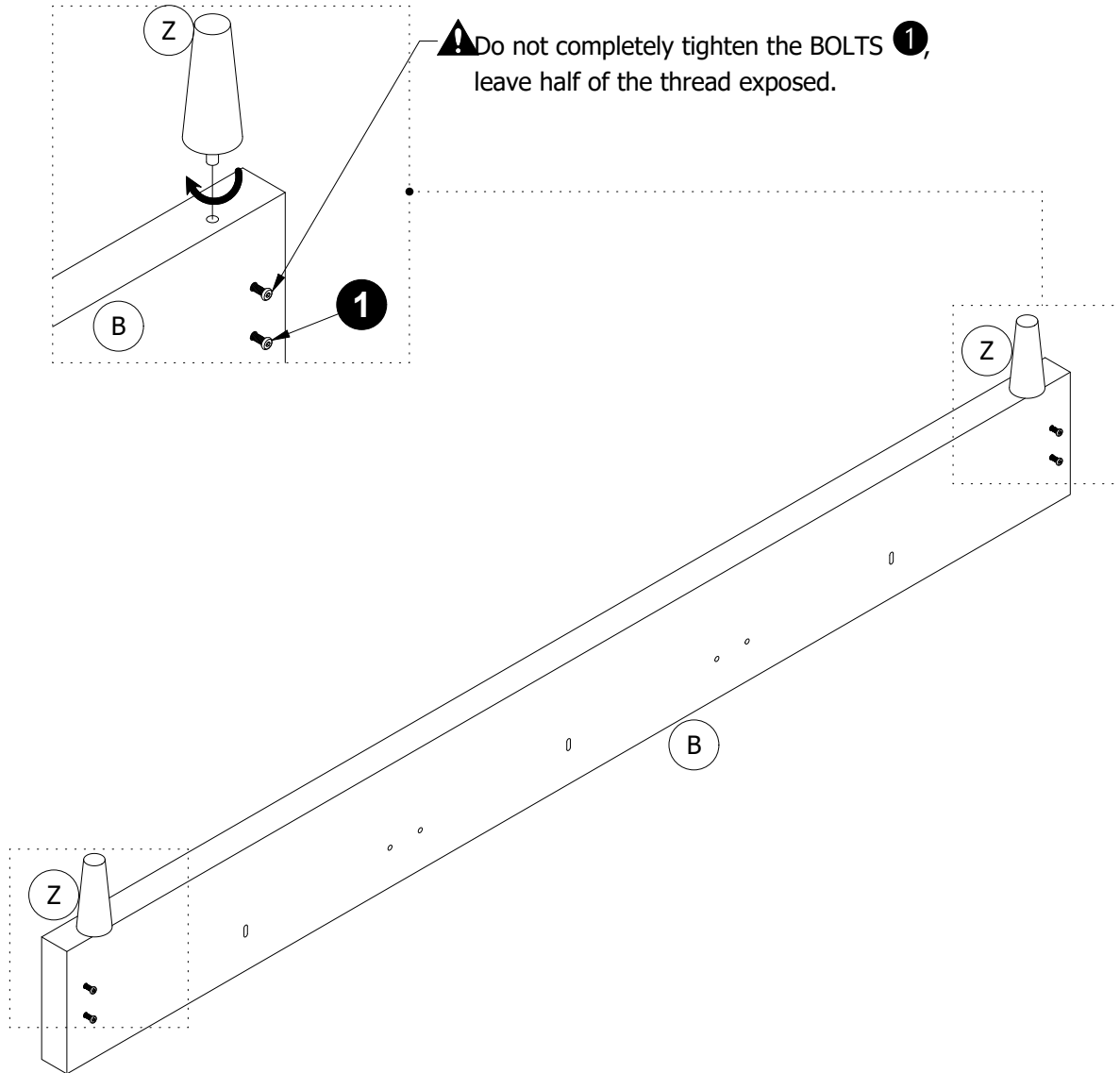
Attach **Z1** x 2 to **A1** and **A2** with **1**.

**⚠ Fully tighten all the bolts in this step.**



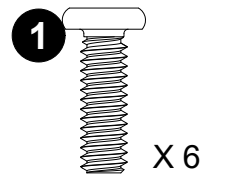
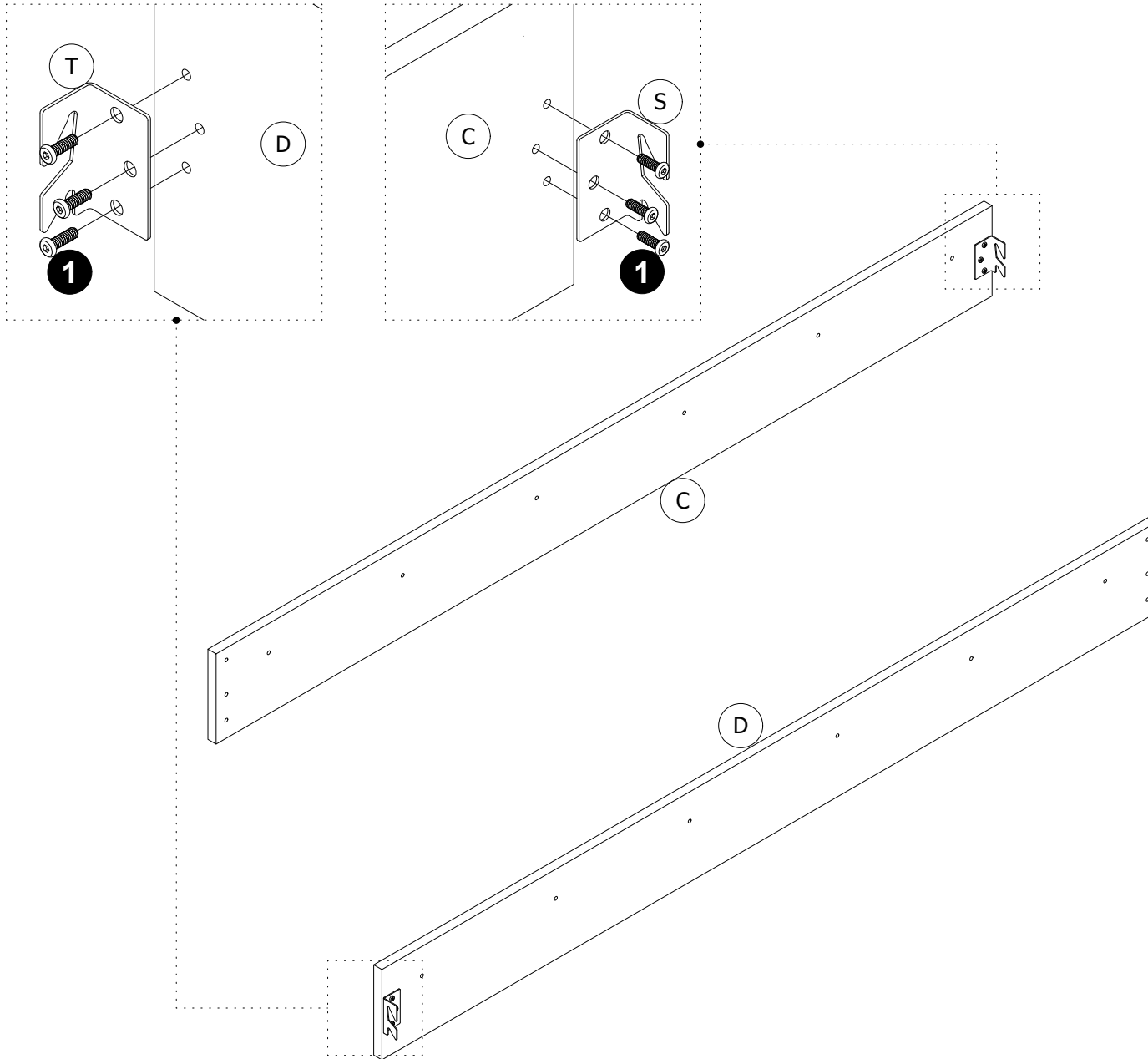
## Step 2

Attach **Z x 2** to **B**.  
Screw **1** into **B** as illustrated, making sure  
to leave half of the threads exposed.



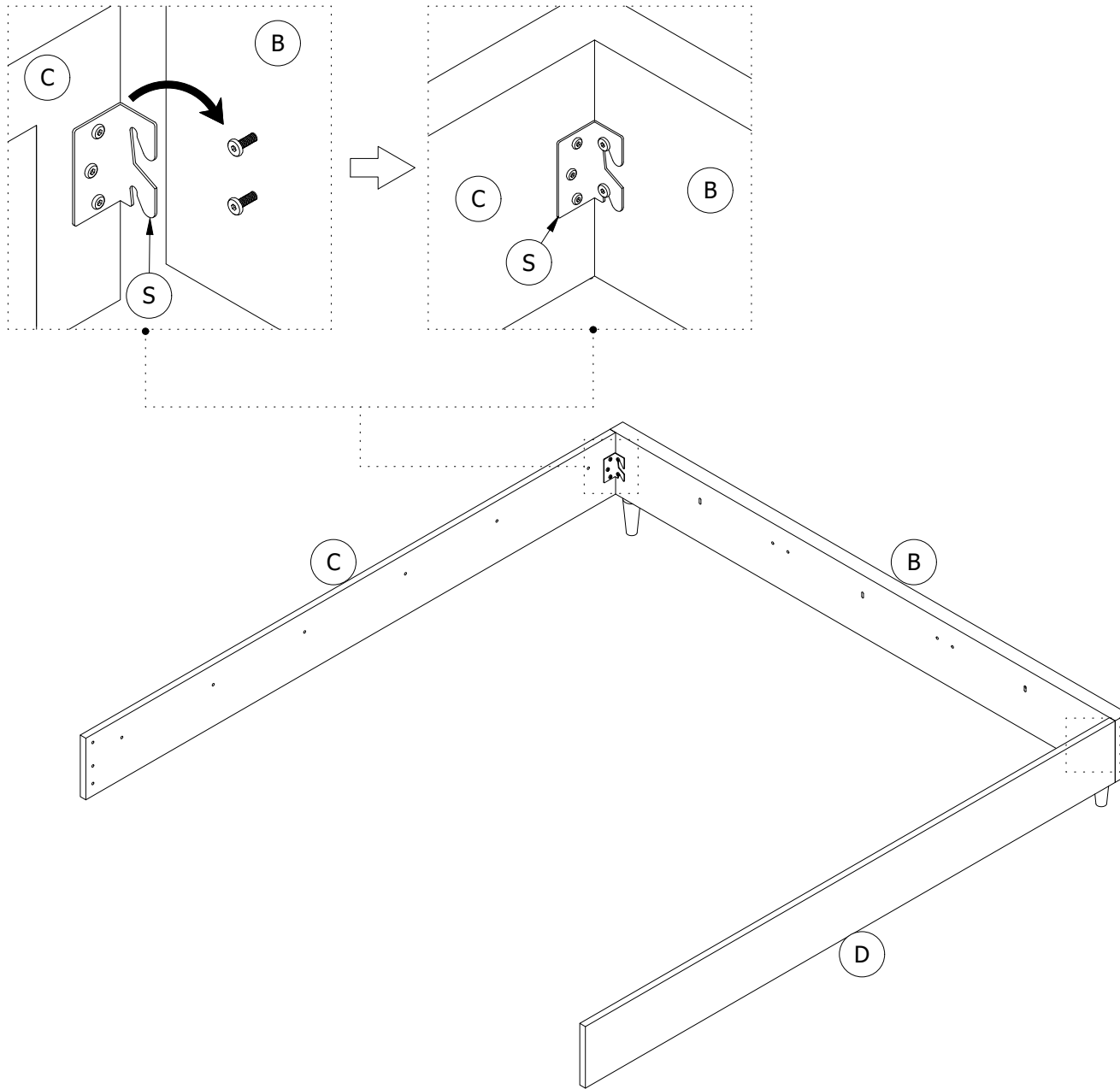
# Step 3

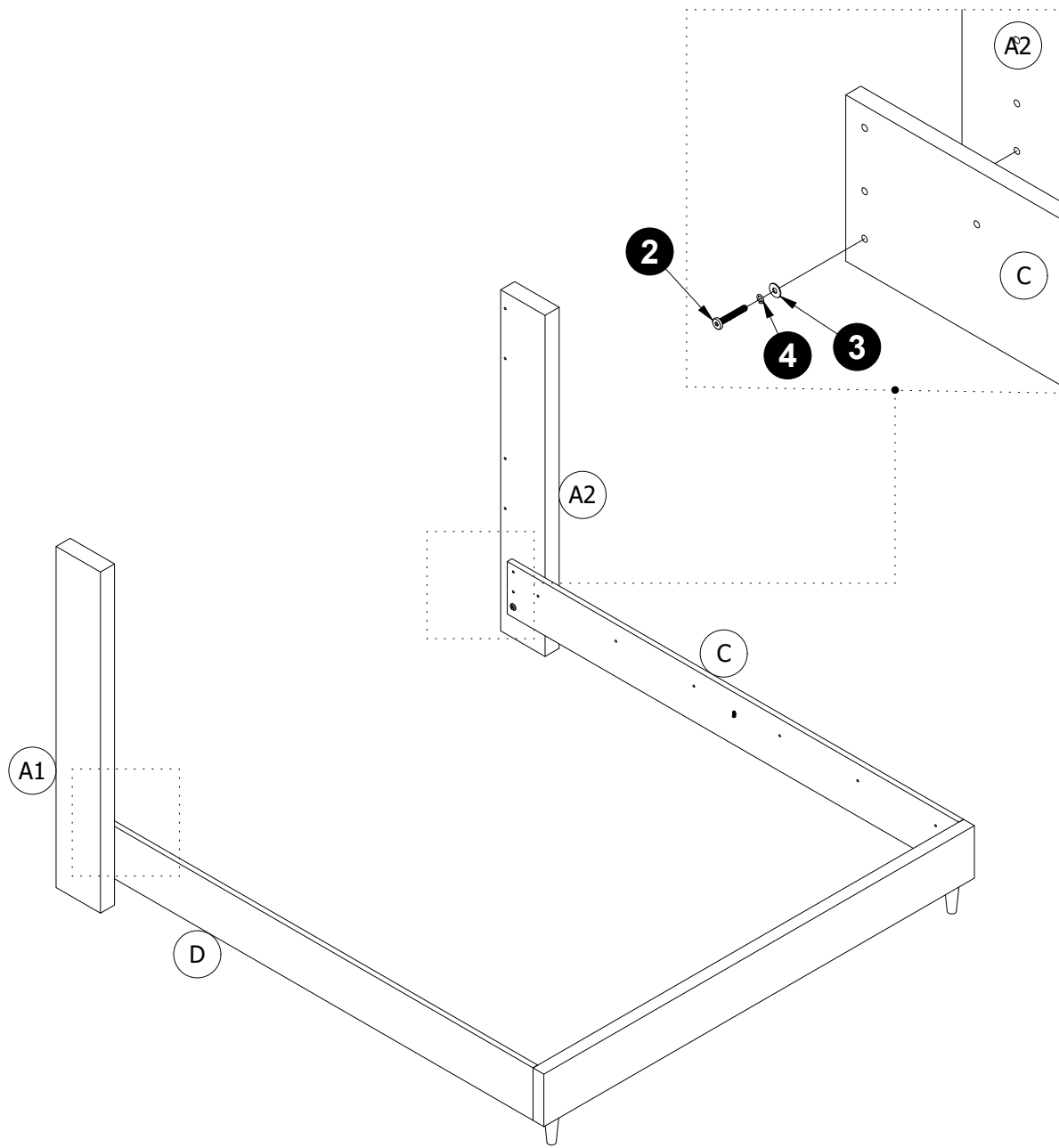
Attach **T** to **D** with **1**.  
Attach **S** to **C** with **1**.



# Step 4

Hang **C** and **D** on **B** as illustrated.  
Don't completely tighten the bolts until **STEP 12** is complete. This will help with alignment.

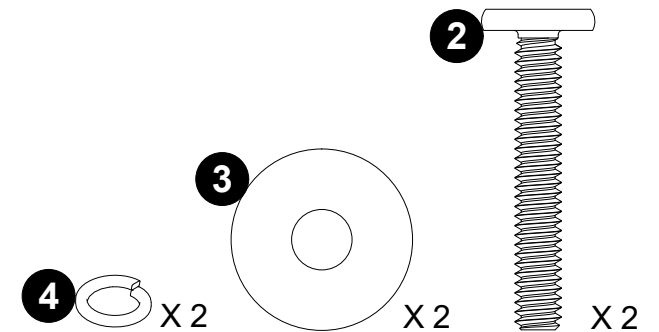




## Step 5

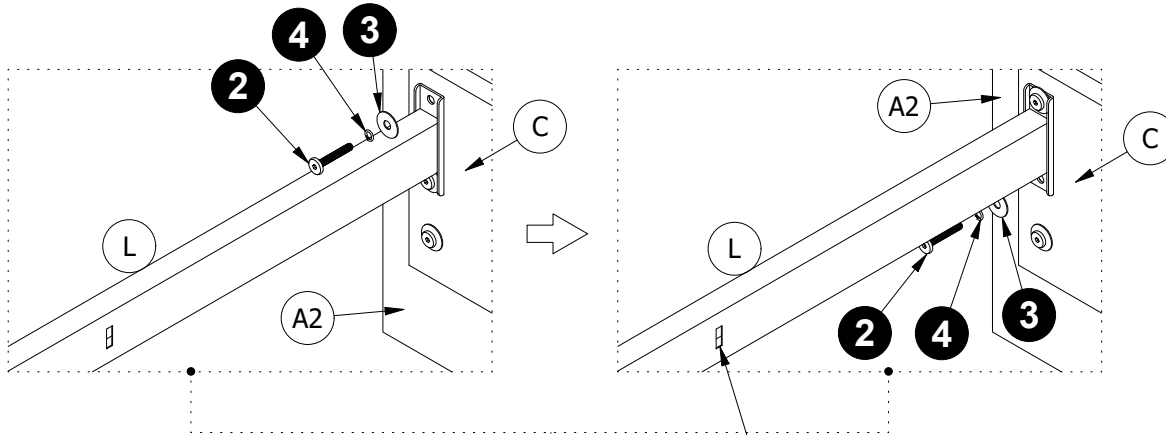
Attach **D** to **A1** with **2** & **3** & **4**.

Attach **C** to **A2** with **2** & **3** & **4**.

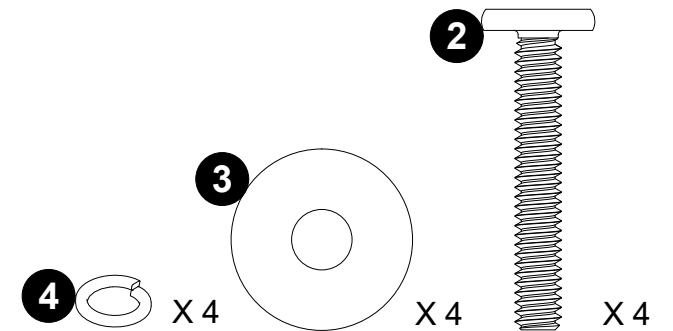
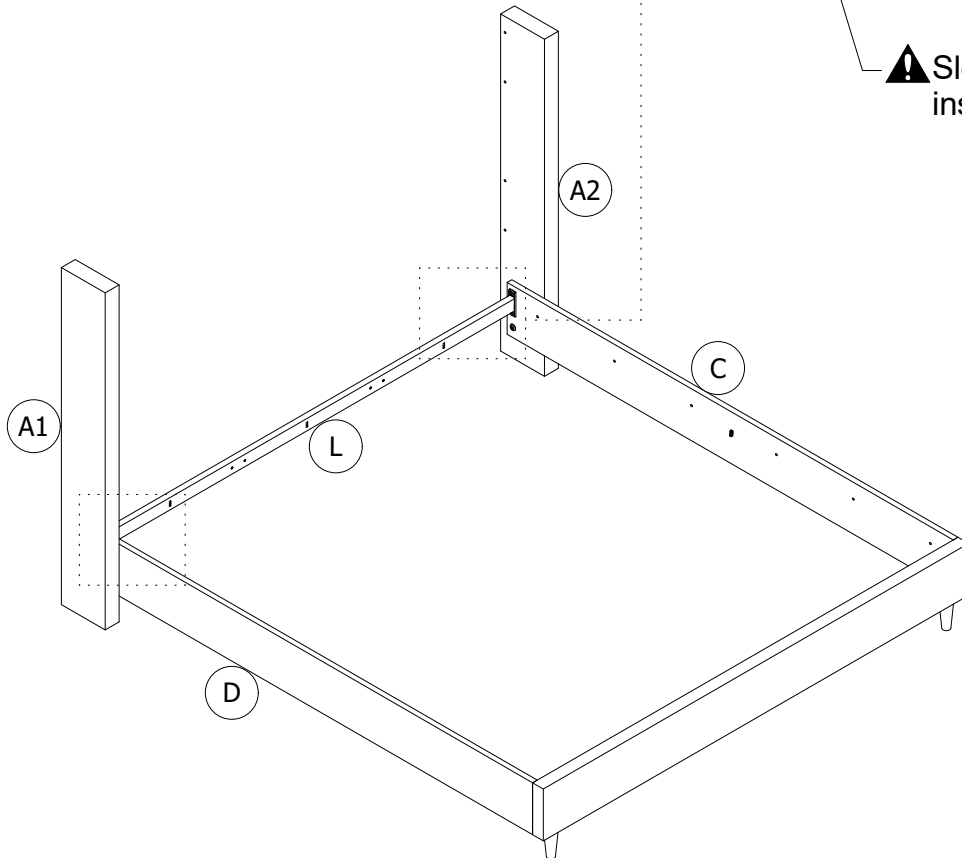


# Step 6

Attach **L** and **D** to **A1** with **2** & **3** & **4**.  
Attach **L** and **C** to **A2** with **2** & **3** & **4**.

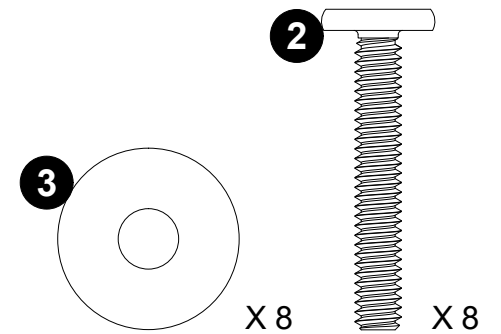
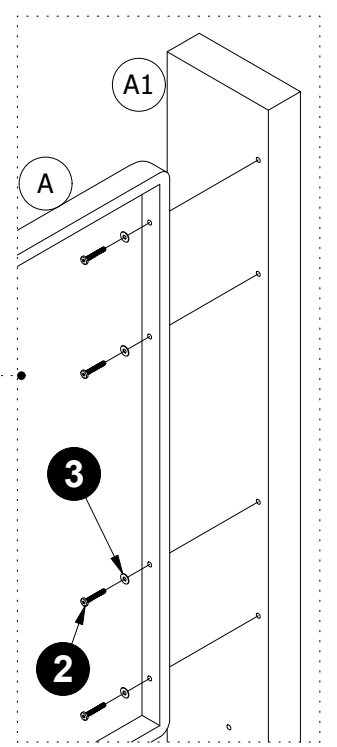
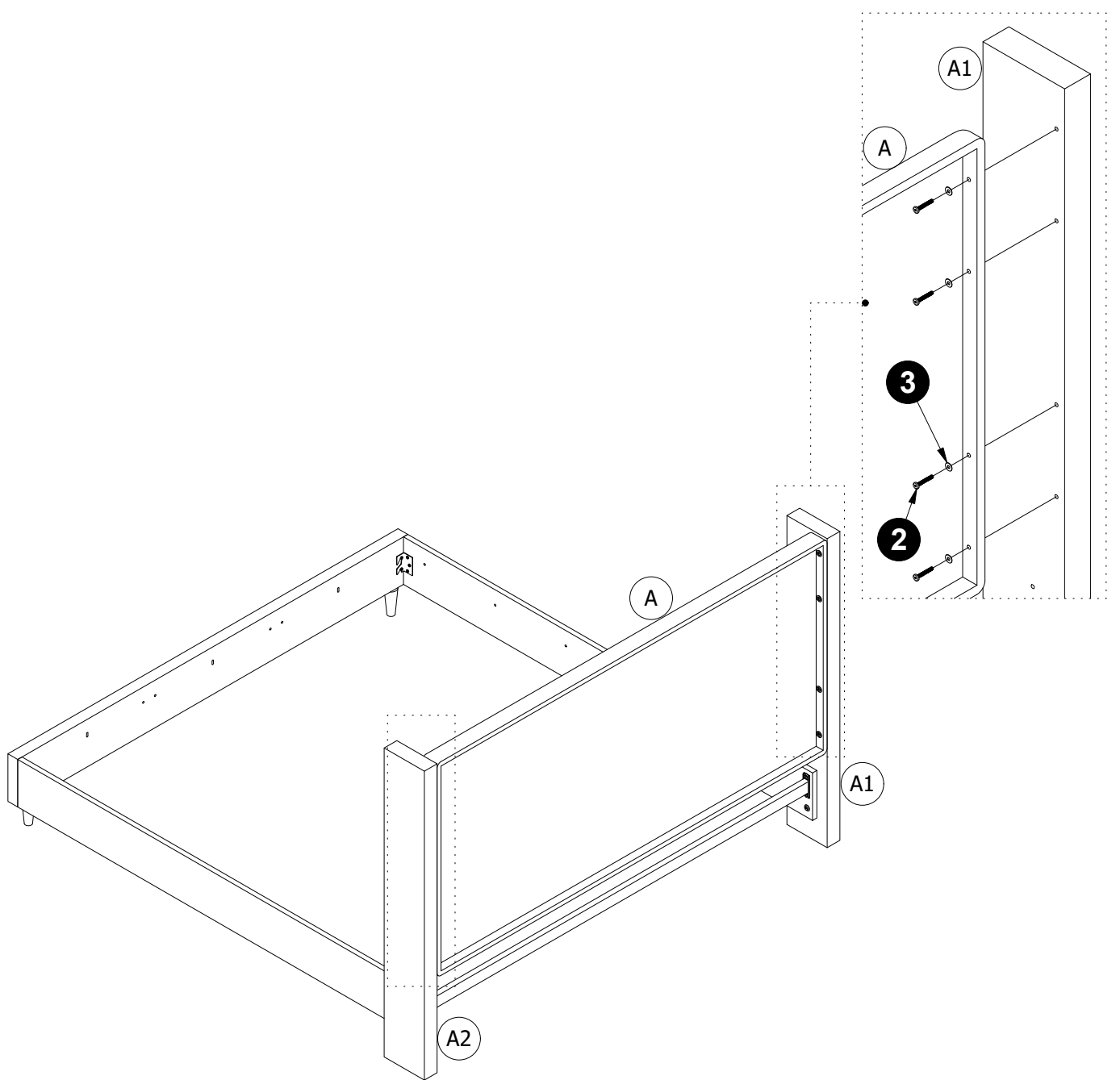


⚠ Slot should be facing inside of the bed.



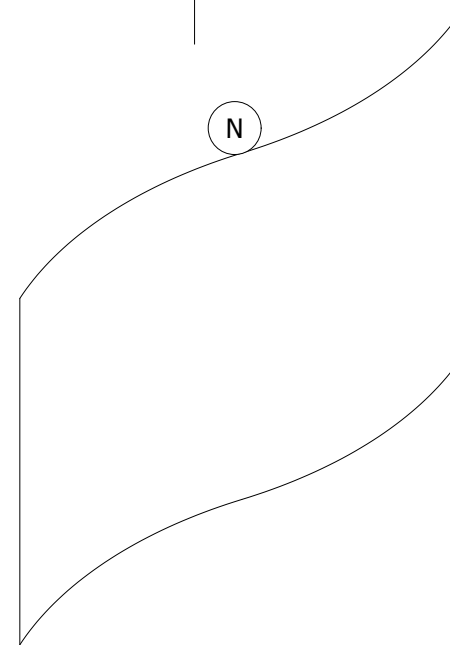
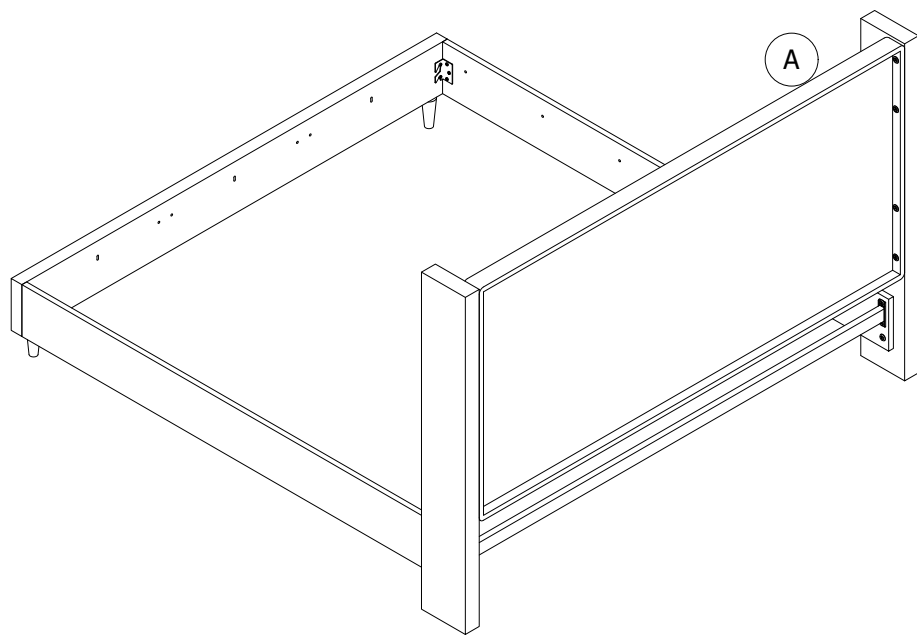
# Step 7

Attach **A** to **A1** and **A2** with **2** and **3**.



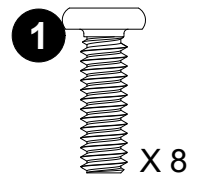
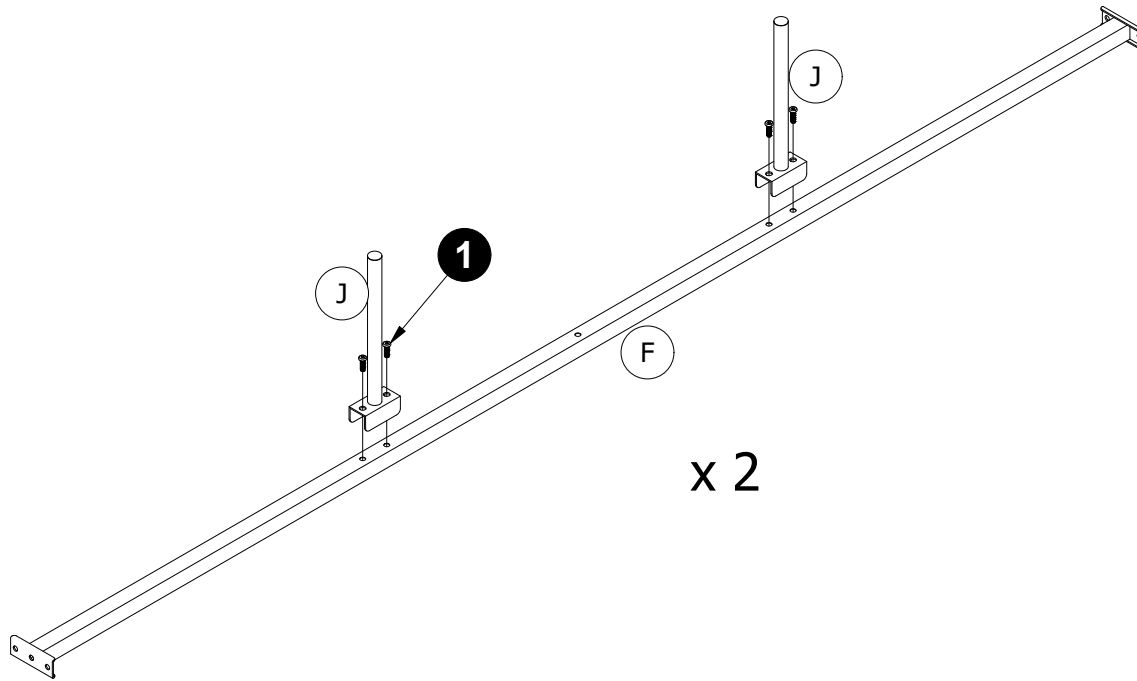
## Step 8

Stick **N** to the back of **A** with Velcro as illustrated.



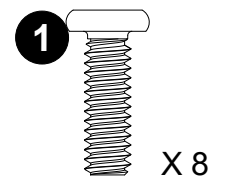
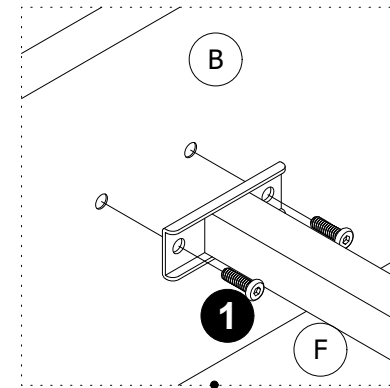
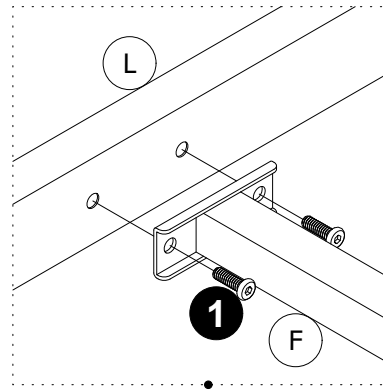
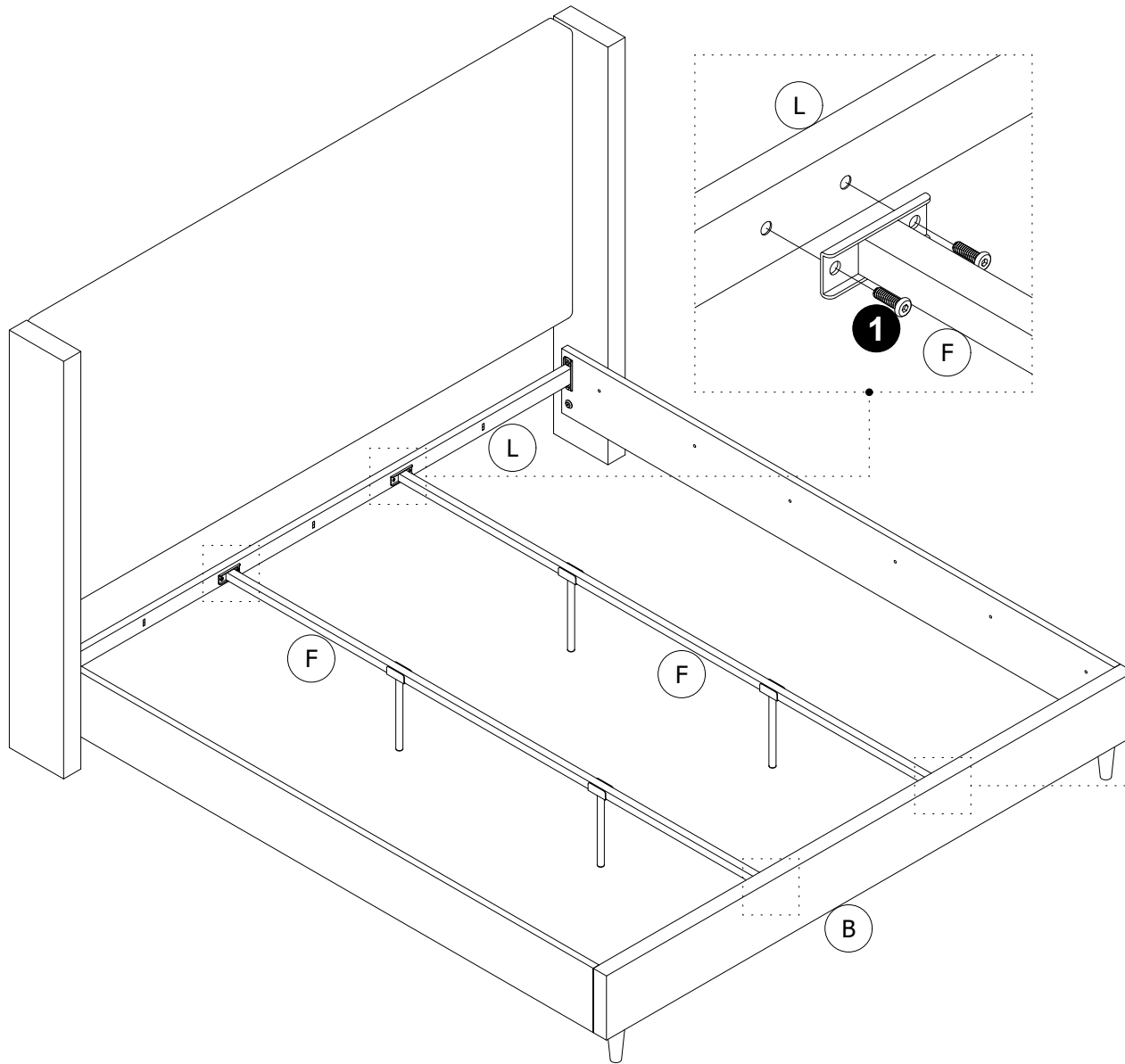
# Step 9

Attach **J** x 2 to **F** with **1**.



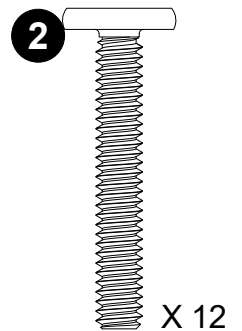
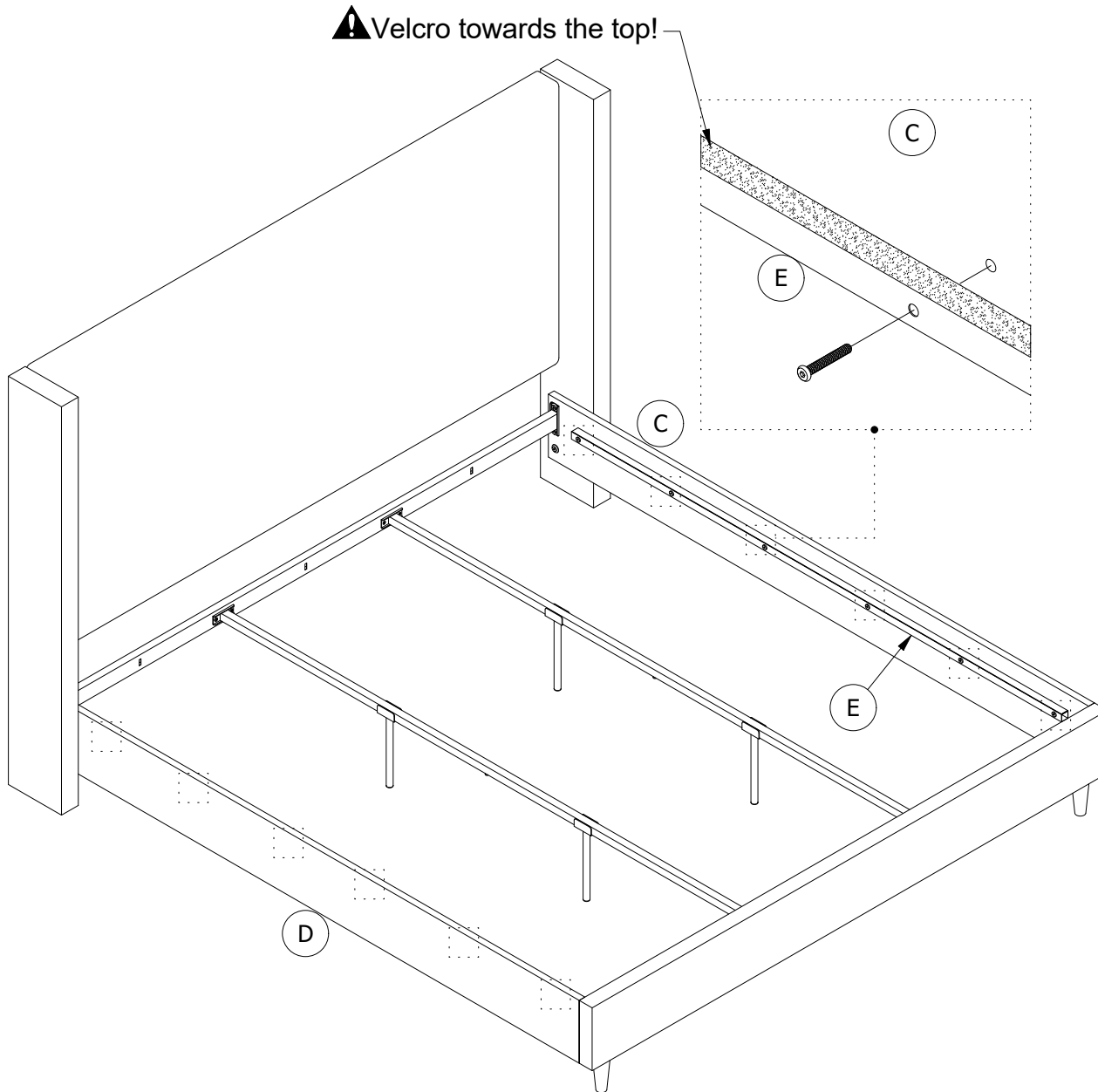
# Step 10

Attach subassemblies ( F & J x 2 ) from previous step to L and B with ①.



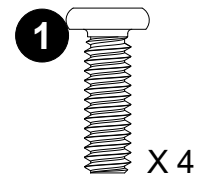
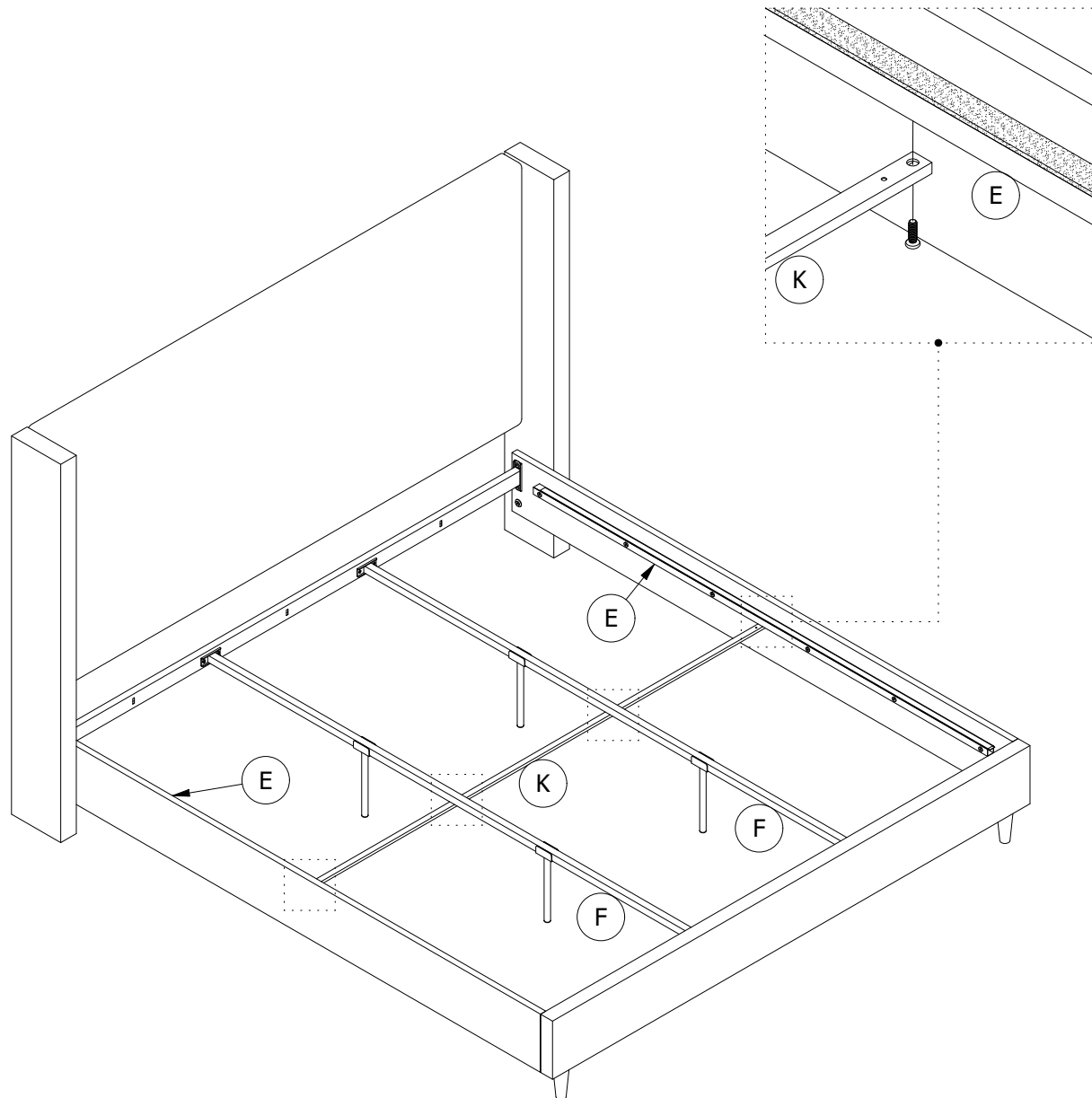
# Step 11

Attach **E x 2** to **C/D** with **2**.



# Step 12

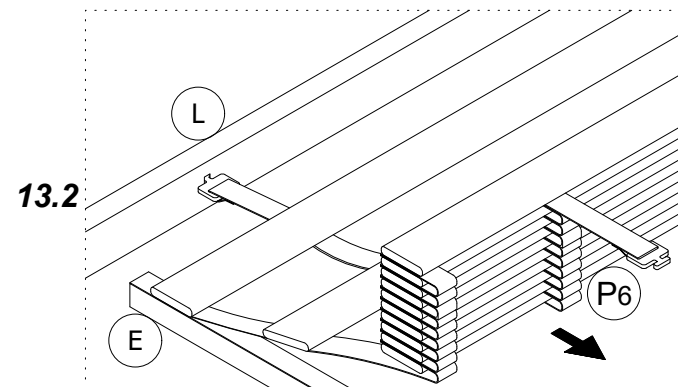
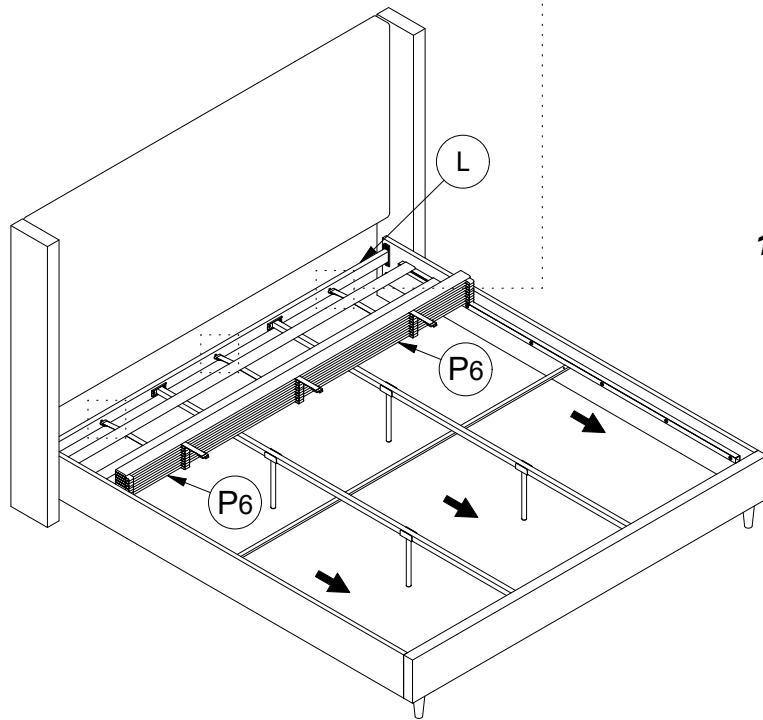
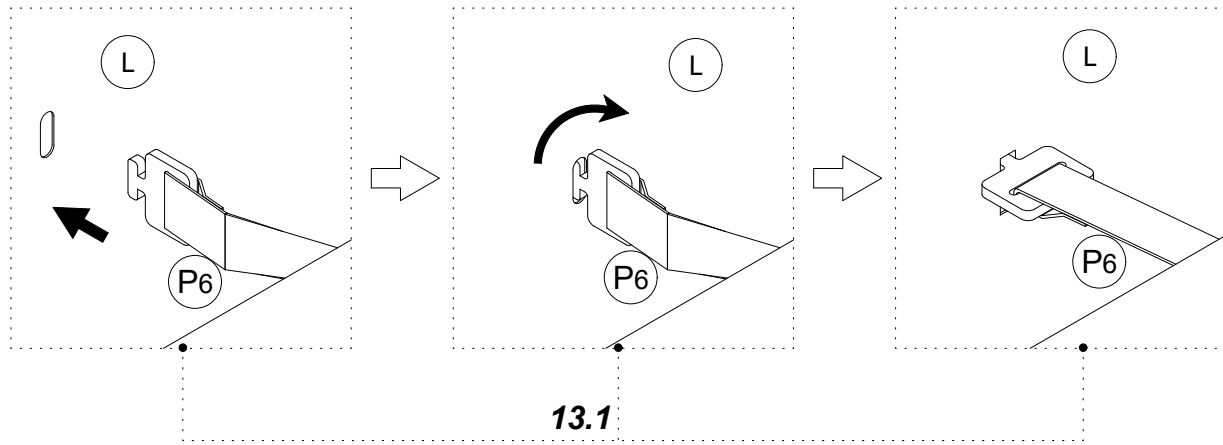
Attach **K** to **E** x 2 and **F** x 2 with **1**.  
Fully tighten all bolts.



# Step 13

**13.1** Attach one end of **P6** to **L** by inserting the tab into the slot and turn it to the level position.

**13.2** Spread the slats **P6** along the bed with equal spacing, engage the velcro at the end of slat with the counter part on **E**.



# Step 14

Attach the other end of **P6** to **B** by inserting the tab into the slot and turn it to the level position.

