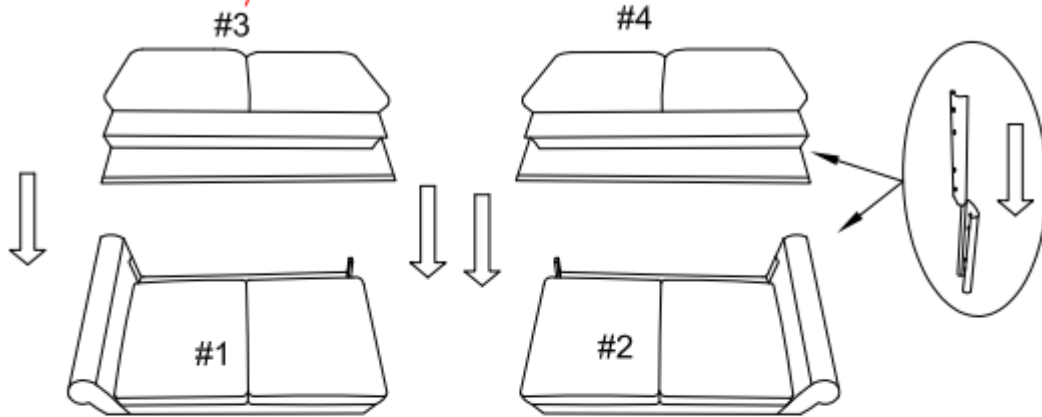




Attach brackets of the left back cushion (#3) to the brackets of the left seat frame (#1). Make sure it is firmly in place.

Attach brackets of the right back cushion (#4) to the brackets of the right seat frame (#2). Make sure it is firmly in place.



Attach left sofa back cushion (#6) and right sofa back cushion (#7) to the brackets of the corner sofa (#5).

Attach back cushion (#9) to the brackets of the seat cushion (#8).

