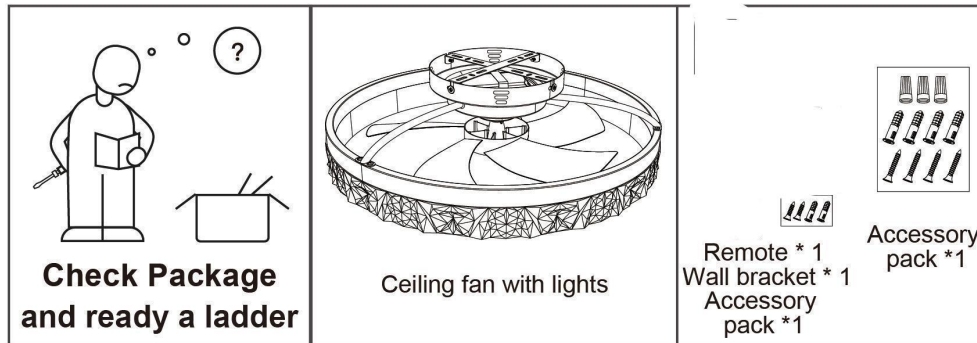


USER MANUAL

Please read and understand this manual before any assembly or installation, compare the details with the product display presentation, and ensure that all parts are in place.

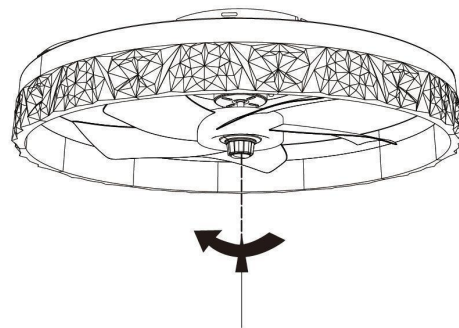
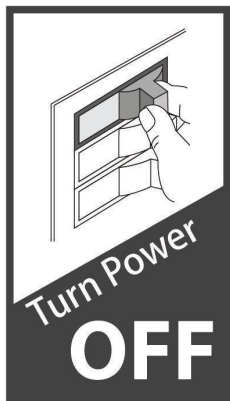
※Any questions, don't hesitate to contact us through Amazon.※

Package contents



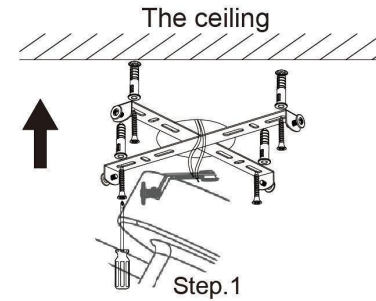
Before installation

Do this first!

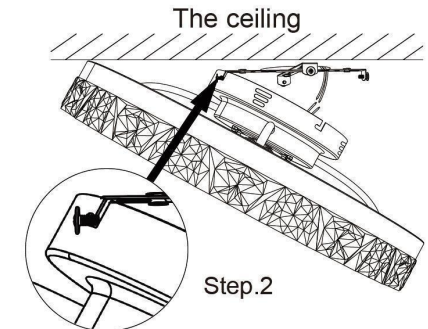


Twist the bottom of the fan blade counter clockwise and lock it into place to make it firm and safe.

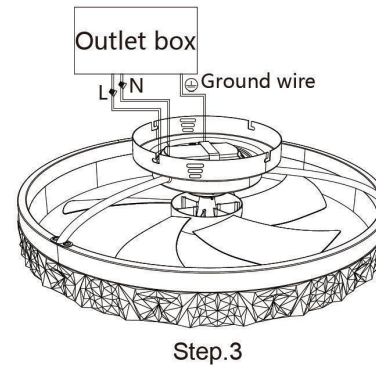
Installation



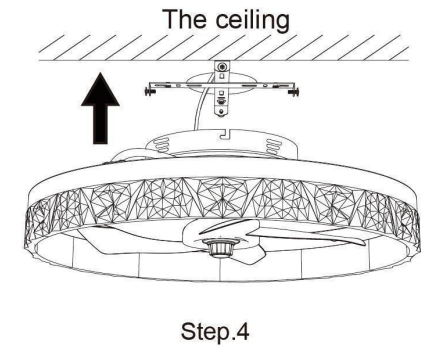
Disassemble the ceiling bracket and 4 screws from canopy, and attach them to the ceiling.



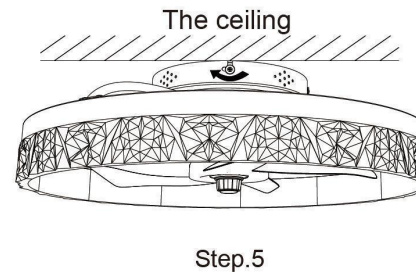
Hanging 7-shaped hole on screw of ceiling bracket.



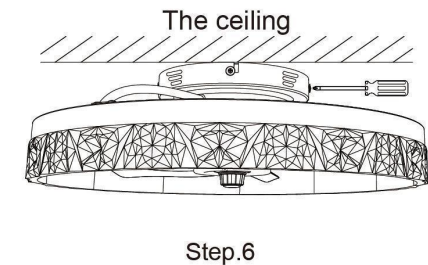
Connect the canopy and the outlet box electrical wire according to the mark.



Remove the S-hook, snap the 7-shaped hole of the fan light holder onto the ceiling bracket.



Rotate the ceiling fan and snap the 4 screws into the 7-shaped holes.



Tighten the 4 screws to complete the installation.