

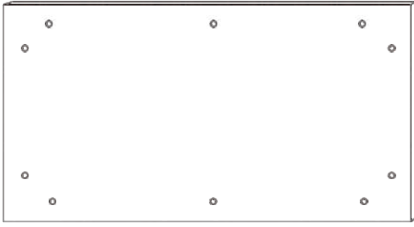
70" GARAGE WORKBENCH USER'S MANUAL



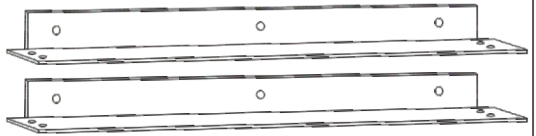
WARNING!

1. The manual contains very important safety information, please read it carefully before assembling.
2. Check carefully the box when you receive, if there is any damage, please take a picture for record, contact our service team for help.
3. The workbench can be dangerous if it is not properly installed. Fasten all bolts, nuts, screws before using it.
4. Don't overload product on the workbench, it is restricted to 2000 LBS.
5. When you use the workbench, make sure all casters are locked, or it can be very dangerous.
6. The brakes are firmer and the overall stability is better. If you need to move, it will be easier to unlock them by hand.
7. Keep away from children, it will be dangerous if your children are playing on it.
8. Keep workbench away from water, moisture.

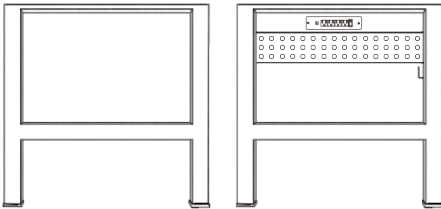
PART LIST



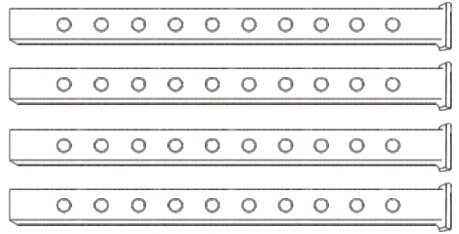
(A) BOARD X1



(B) SUPPORT X2



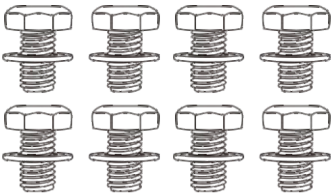
(C) LEGS X2



(D) LEG EXTEND X4



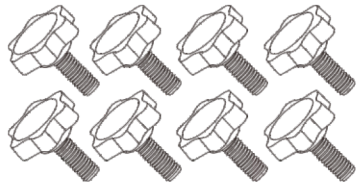
(E) M8X16 BOLT X10



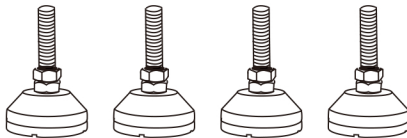
(F) M10X20 BOLT X8



(G) TOOLS X2



(H) ADJUSTABLE KNOBS X8



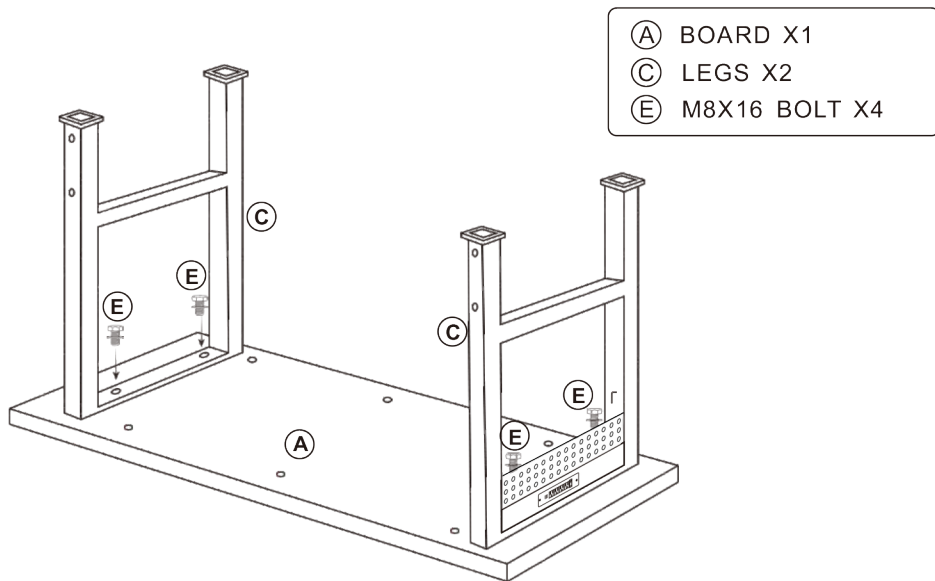
(J) FOOTCUPS X4

TIPS:

1. Don't fasten all bolts and nuts tightly at first, you may need to rework if you make some mistake.
2. We recommend that 2 adults are required to complete the installation.

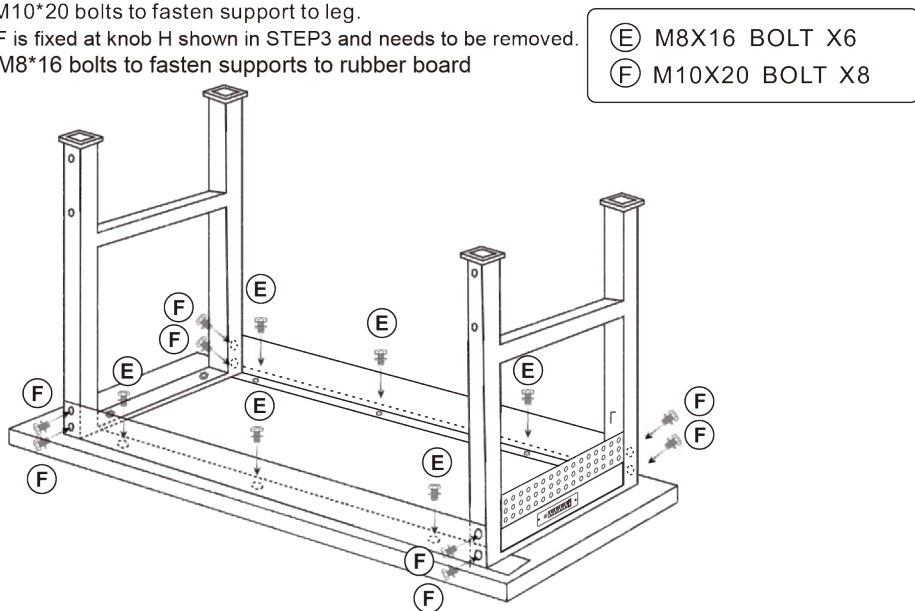
Step 1. Fasten Leg To The Rubber Board

1. Put the rubber board on a clean ground, in order to protect the rubber board, we suggest you to put something between ground and rubber board, like soft cloth.
2. Align the holes on the legs with those on the rubber board, use E: M8*16 bolts to fasten C: legs to rubber board.



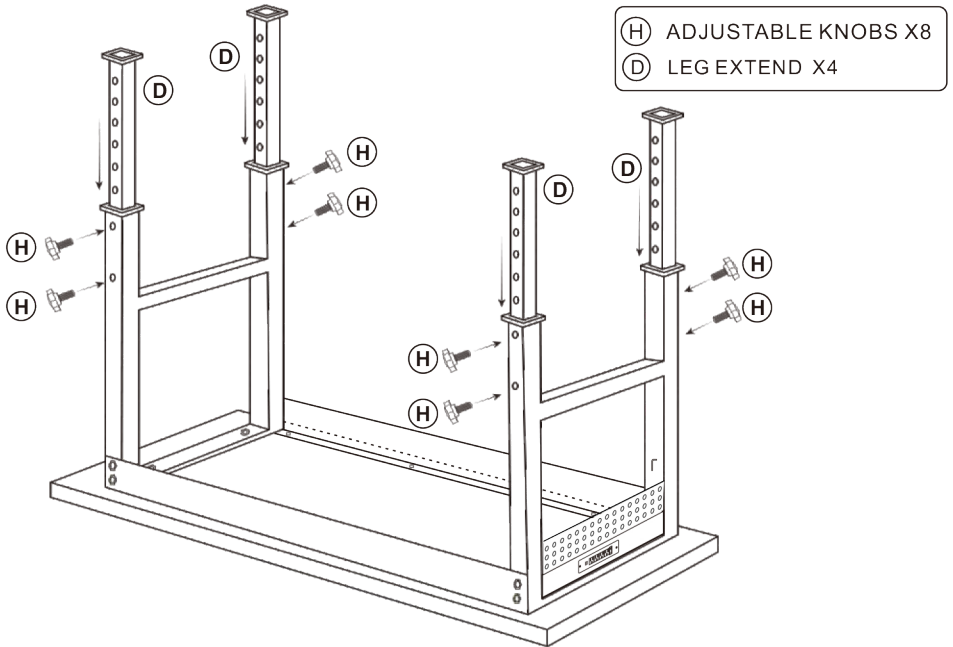
Step 2. Fasten Supports To Rubber Board And Legs

1. Use F: M10*20 bolts to fasten support to leg.
- NOTE: F is fixed at knob H shown in STEP3 and needs to be removed.
2. Use E: M8*16 bolts to fasten supports to rubber board

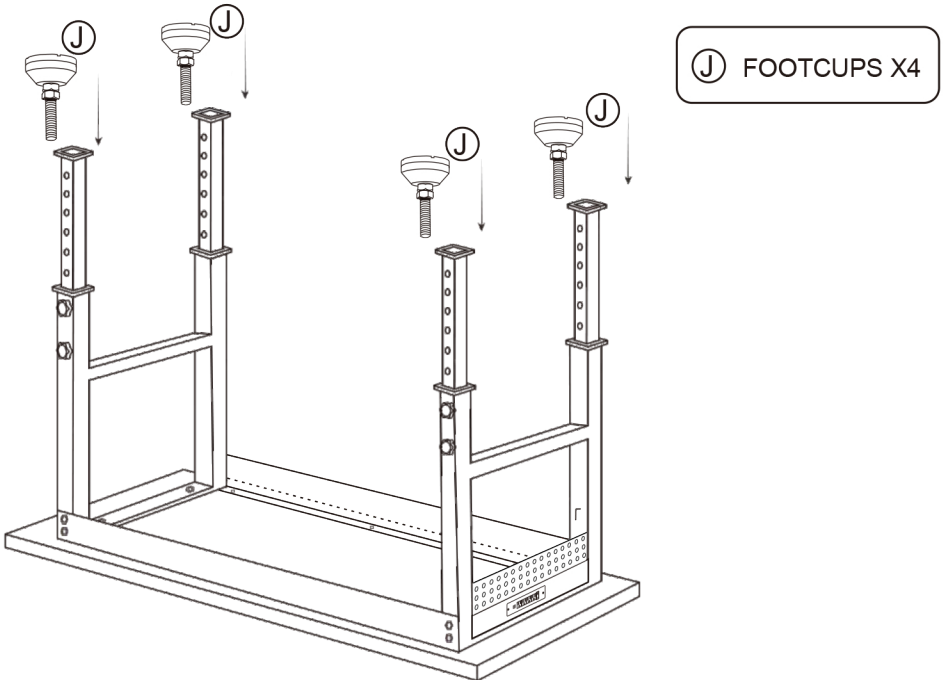


Step 3. Fasten Leg Extend To Legs

Use H:adjustable knobs to fasten the D:leg extend to the legs,and feel free to adjust the height.



Step 4. Install I:Casters Or J:Footcups On Leg Extend



Step 5. Finish

After you check that there are no errors, fasten all bolts and nuts, then finish!

