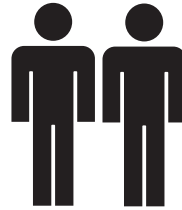


Luxe Chest of 5 Drawers

1.5hr

APPROXIMATE ASSEMBLY TIME



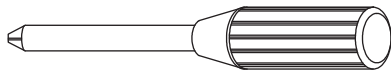
2 PERSON ASSEMBLY

FLOOR AREA
2M x 2M

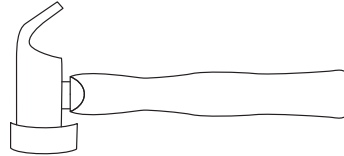


REQUIRED ASSEMBLY SPACE

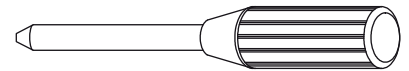
REQUIRED ASSEMBLY TOOLS



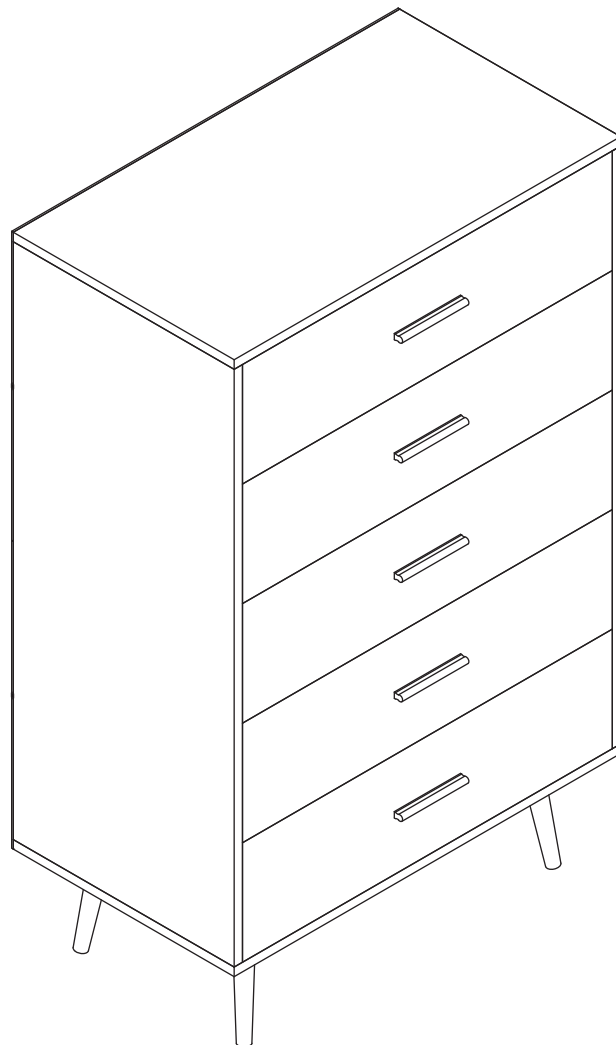
PHILLIPS SCREWDRIVER



HAMMER



FLAT HEAD SCREWDRIVER



Luxe Chest of 5 Drawers

Tips before you start:

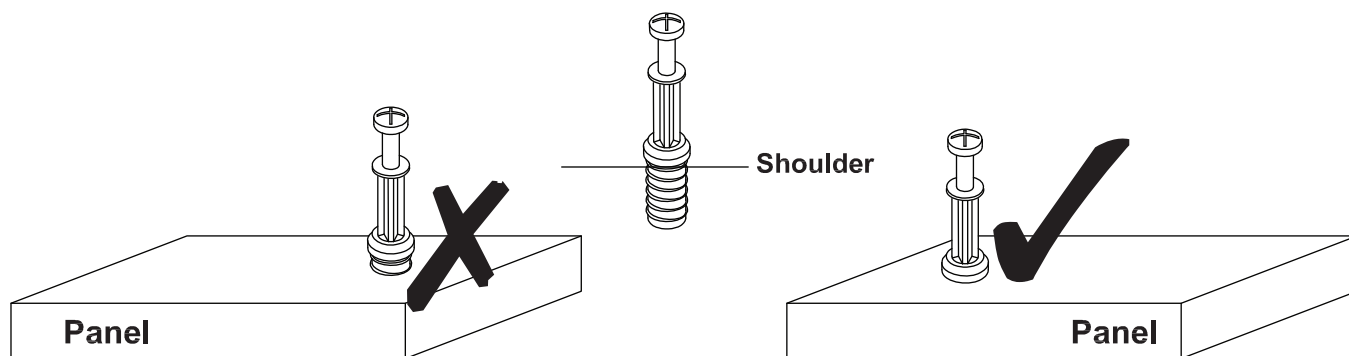
1. Please check that all parts are present before you start the assembly of your furniture.
2. For ease and speed of assembly, we recommend that before you commence each step of the assembly, that you identify all the parts required for that step.
3. For larger items, please ensure that you have sufficient space and people (as indicated on page 1) to assemble your product safely.
4. We recommend that, where possible, all items are assembled near to the area in which they will be placed in use, to avoid moving the product unnecessarily once assembled.
5. For the protection of your furniture, we recommend that the product is placed on a protected surface during assembly to prevent any damage.
6. During assembly please take care not to over-tighten any fittings, as this may damage the product.
7. Always place the product on a flat, steady and stable surface.
8. Do not stand on the product. Do not use the product as a stepladder.
9. This product is intended for indoor, household use only as it is a non-industrial product.
10. Please use caution and care when lifting the product to avoid personal injury and/or product damage.

Care and Maintenance of your Furniture

- Please periodically check all fittings and re-tighten as necessary.
- To clean your item, please use a damp cloth and wipe clean.
- Never allow any kind of liquid to remain on your furniture. Absorption can cause wood to warp or finishes to de-laminate.
- Please do not place hot items (eg. hot drinks) directly on to the surface.
- Please do not drag and pull your furniture.

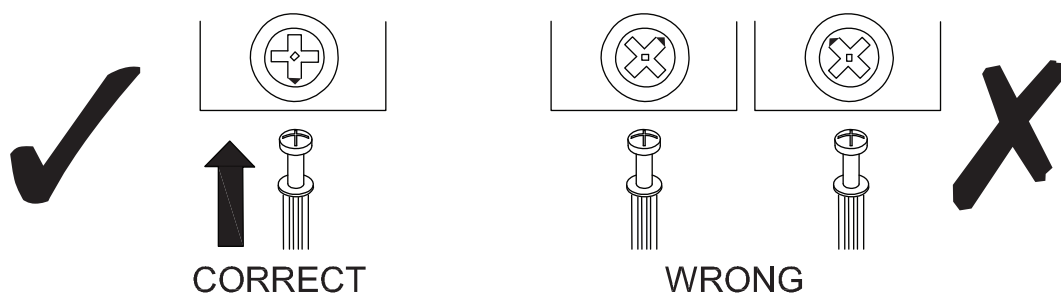
Luxe Chest of 5 Drawers

QUICKFIT



Tighten quickfit until shoulder is flush with panel. Do not overtighten or undertighten.

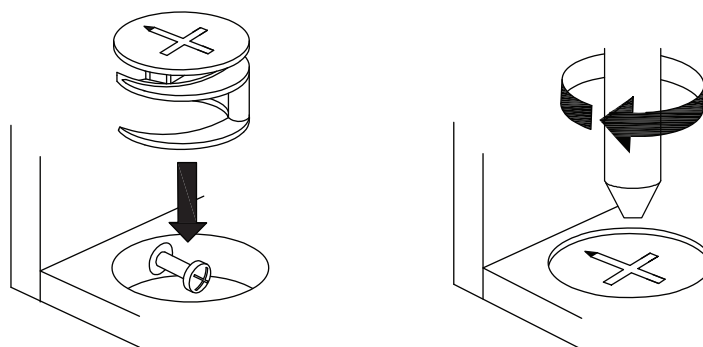
CAM LOCK



When fitting cam lock, ensure starting position is correct before you insert connecting quickfit.

Quickfit head should be in the centre of the cam lock when the two panels are joined.

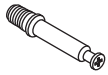
Cam lock should be inserted before quickfit.



Turn cam lock clockwise to tighten.

Luxe Chest of 5 Drawers

HARDWARE LIST



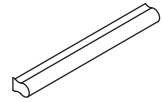
35 x A
Quickfit
Screw



35 x B
Cam Lock



30 x C
Screw



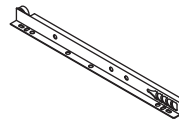
5 x D
Handle



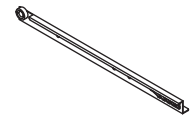
10 x E
Screw



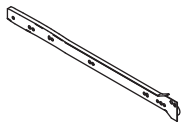
40 x F
Screw



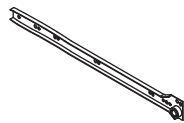
5 x DR
Drawer Runner
(Right)



5 x DL
Drawer Runner
(Left)



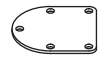
5 x CL
Drawer Slide
(Right)



5 x CR
Drawer Slide
(Left)



20 x K
Screw



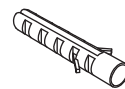
4 x L
Leg Support



14 x M
Wooden
Dowel



30 x N
Nail



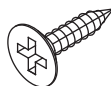
1 x Q
Wall Plug



1 x R
Wall strape



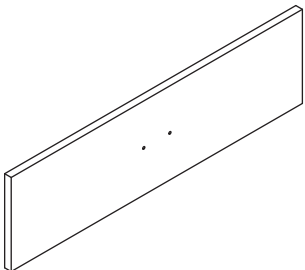
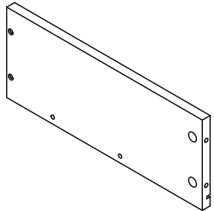
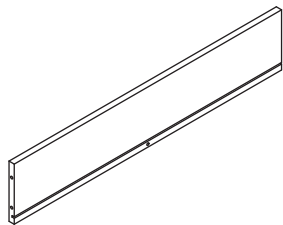
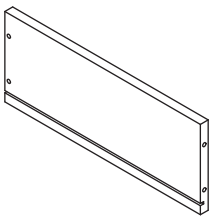
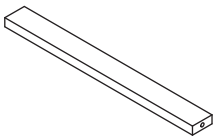
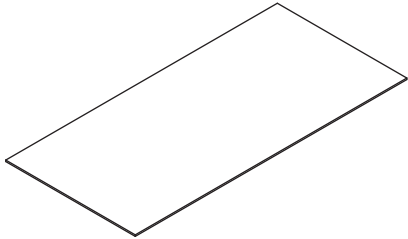
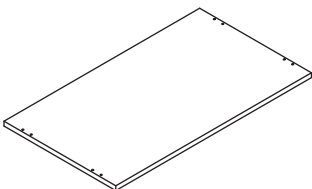


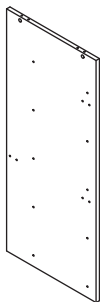
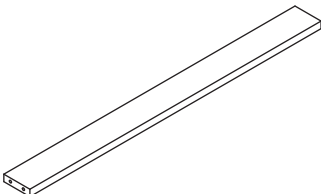
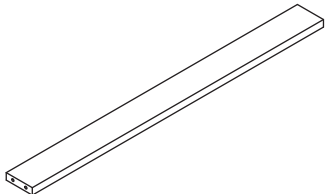
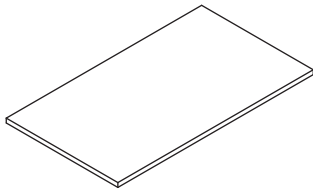
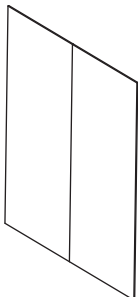
2 x S
Washer



1 x T
Screw

Luxe Chest of 5 Drawers

PARTS LIST

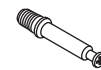
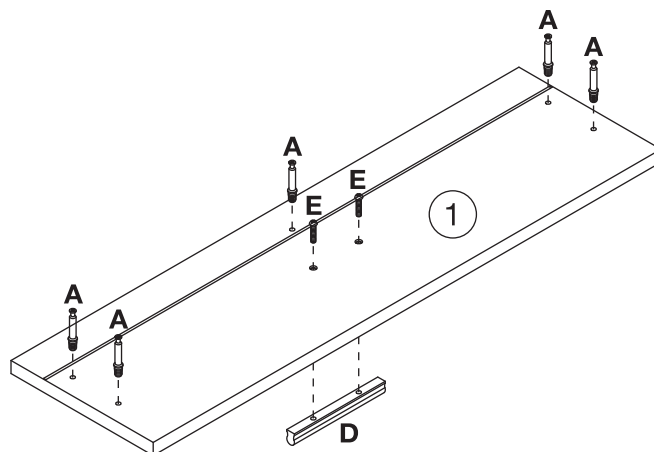
							
1	5 PCS	2	5 PCS	3	5 PCS		
							
4	5 PCS	5	5 PCS	6	5 PCS		
							
7	1 PC	8	4 PCS	9	1 PC	10	1 PC
							
11	2 PCS	12	1 PC	13	1 PC	14	1 PC

Luxe Chest of 5 Drawers

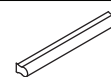
STEP 1

Attach handle (D) to panel 1 using screws (E), as shown.

Insert quickfit screws (A) to panel 1, as shown.



A x 5



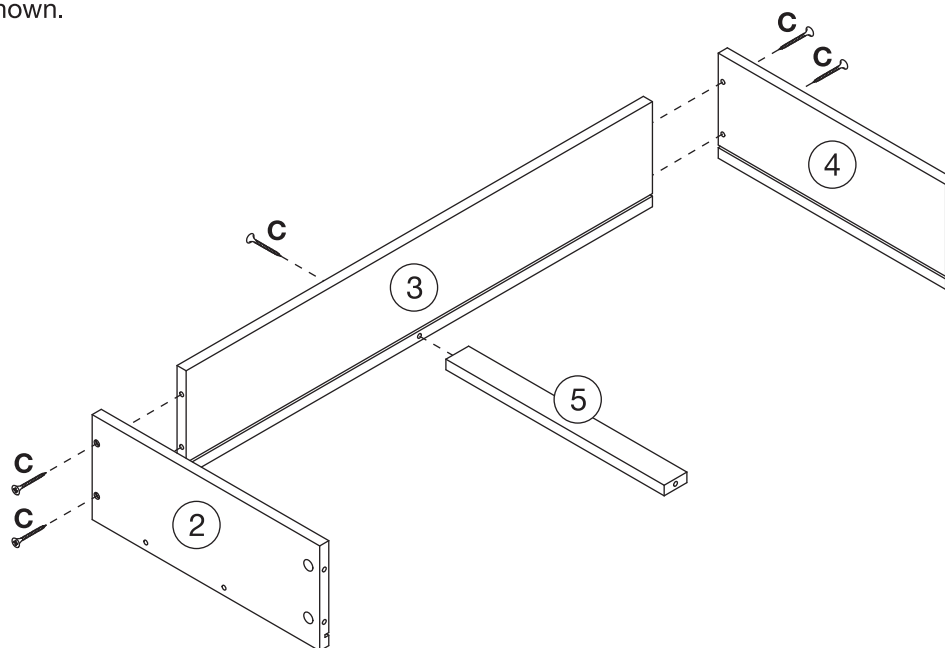
D x 1



E x 2

STEP 2

Fix panels 2, 4 and 5 to panel 3 using screws (C), as shown.

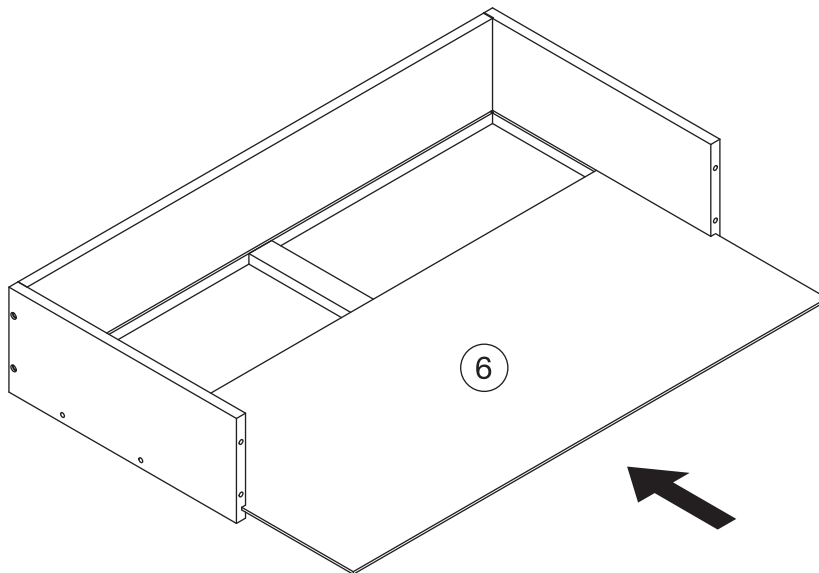


C x 5

Luxe Chest of 5 Drawers

STEP 3

Slide panel 6 between the slots of assembled unit, as shown.

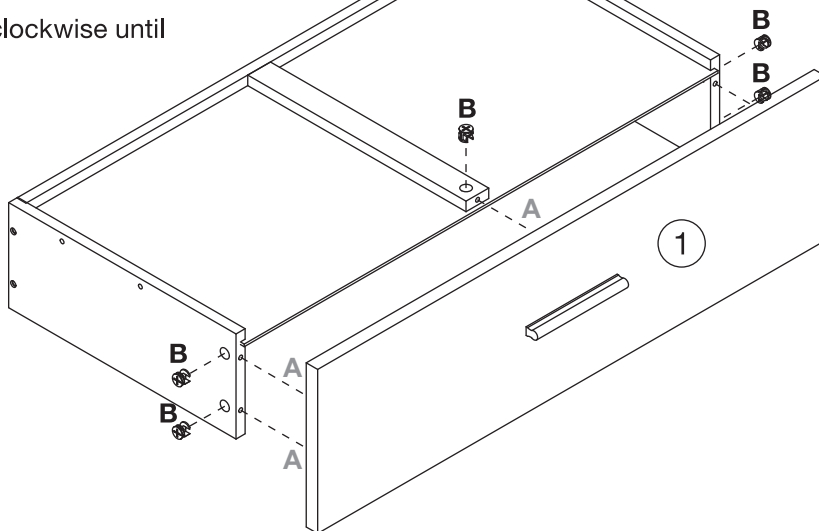


STEP 4

Insert cam locks (B) to assembled unit, as shown.

Insert panel 1 into assembled unit.

Rotate all cam locks clockwise until tight.

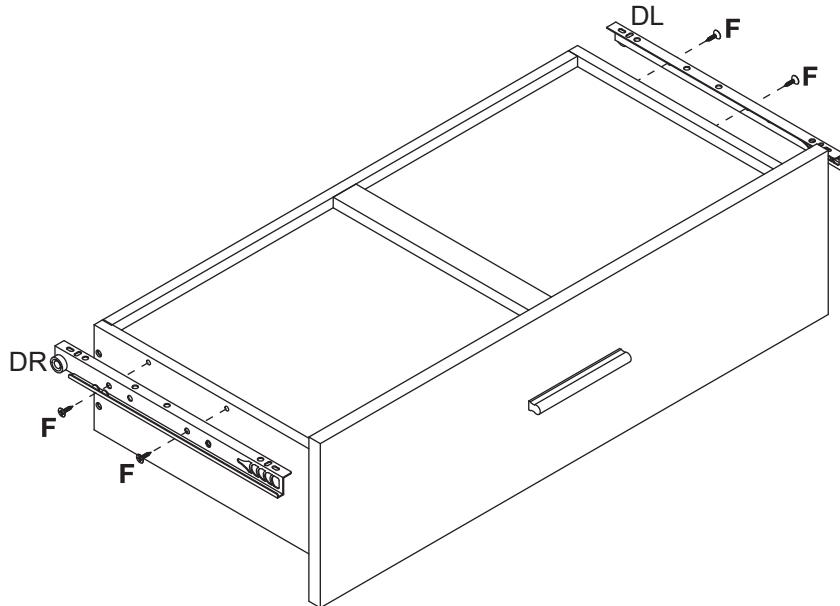


B x 5

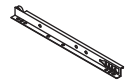
Luxe Chest of 5 Drawers

STEP 5

Fix drawer runners (DR) and (DL) to assembled unit using screws (F), as shown.



F x 4



DR x 1

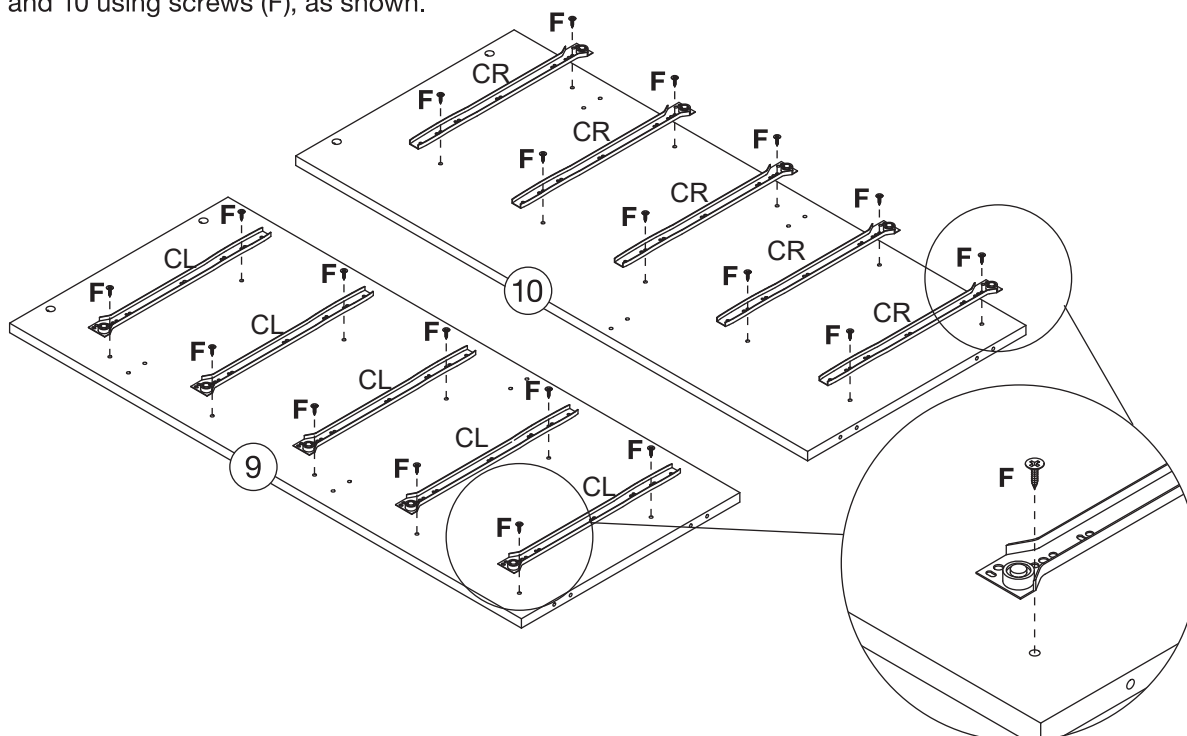


DL x 1

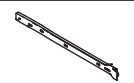
Repeat steps 1-5 for the remaining 4 drawers.

STEP 6

Fix drawer slides (CL) and (CR) to panels 9 and 10 using screws (F), as shown.



F x 20



CL x 5

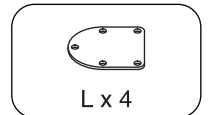
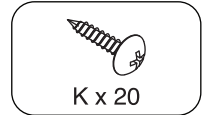
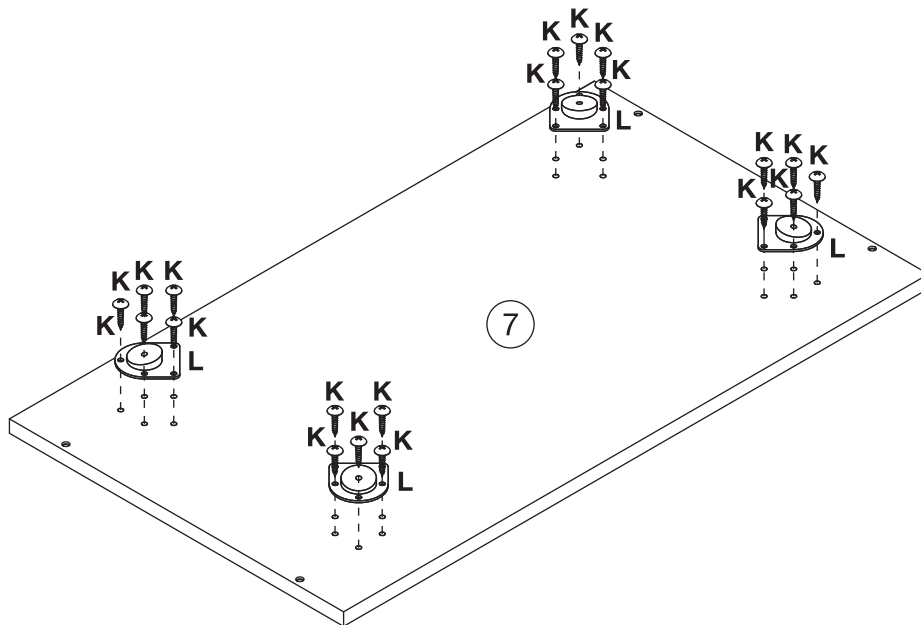


CR x 5

Luxe Chest of 5 Drawers

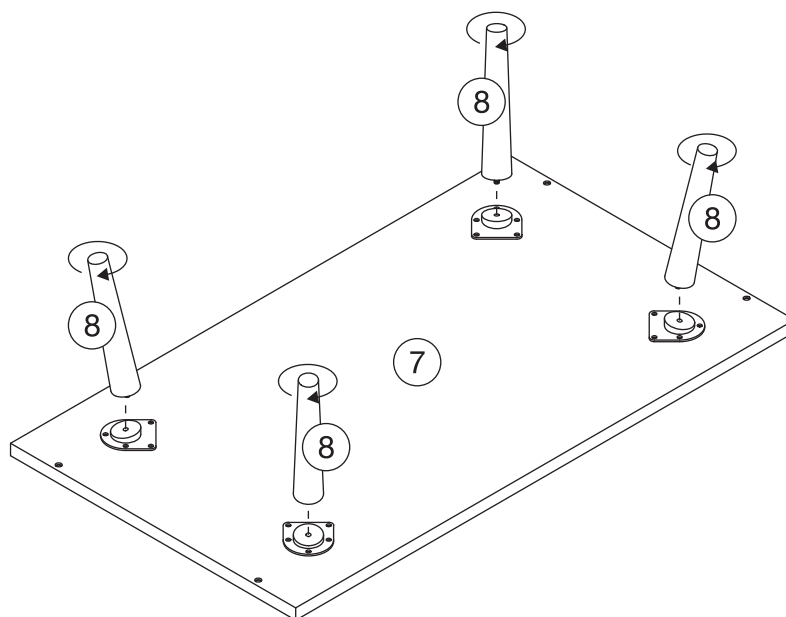
STEP 7

Fix leg support (L) to panel 7 using screws (K), as shown.



STEP 8

Turn legs 8 clockwise into leg support, as shown.



Luxe Chest of 5 Drawers

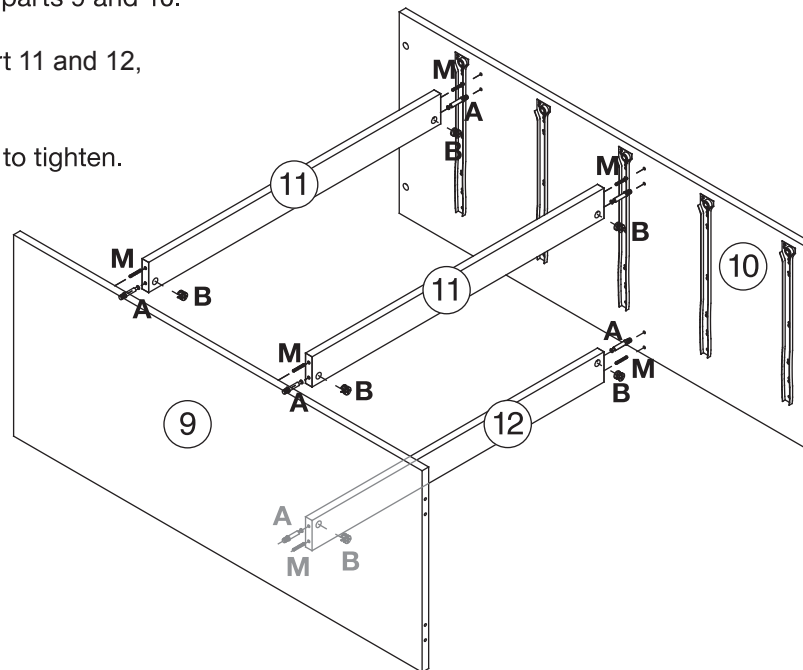
STEP 9

Insert quickfit screws (A) and wooden dowels (M) to parts 9 and 10, as shown.

Inset parts 11 and 12 into parts 9 and 10.

Insert cam locks (B) to part 11 and 12, as shown.

Turn cam locks clockwise to tighten.



A x 6



B x 6

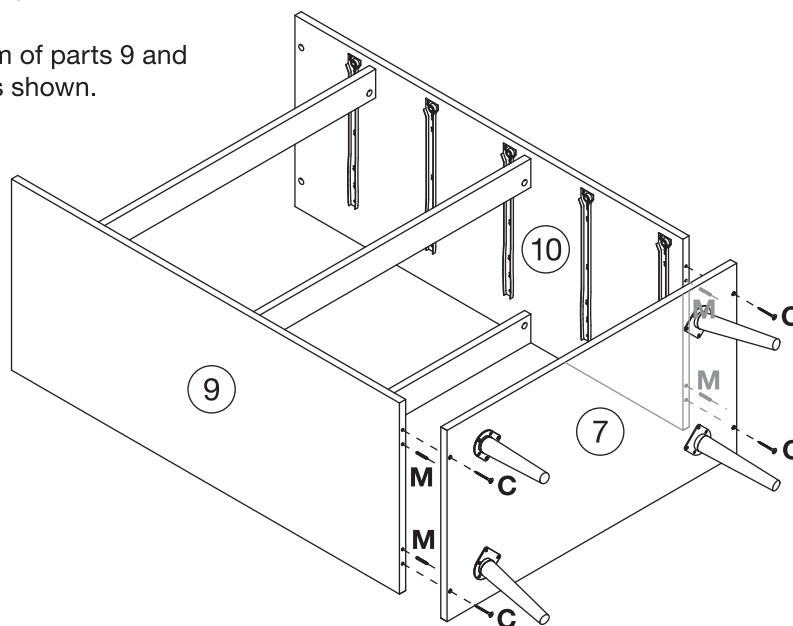


M x 6

STEP 10

Add wooden dowels (M) into the bottom of parts 9 and 10, as shown.

Fix part 7 to the bottom of parts 9 and 10 using screws (C), as shown.



C x 4



M x 4

Luxe Chest of 5 Drawers

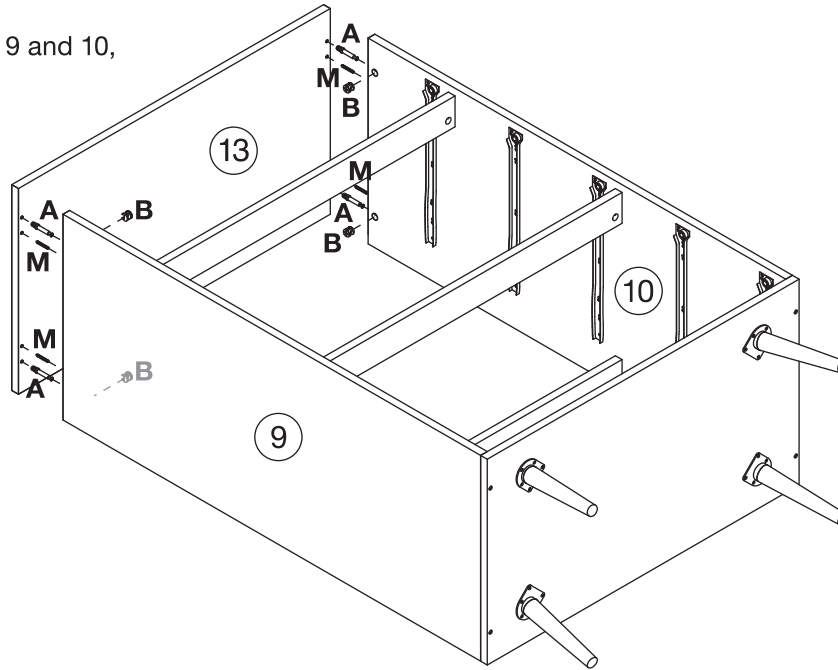
STEP 11

Insert quickfit screws (A) and wooden dowels (M) to part 13, as shown.

Insert cam locks (B) to parts 9 and 10, as shown.

Insert part 13 into the top of parts 9 and 10.

Turn cam locks clockwise to tighten.



A x 4



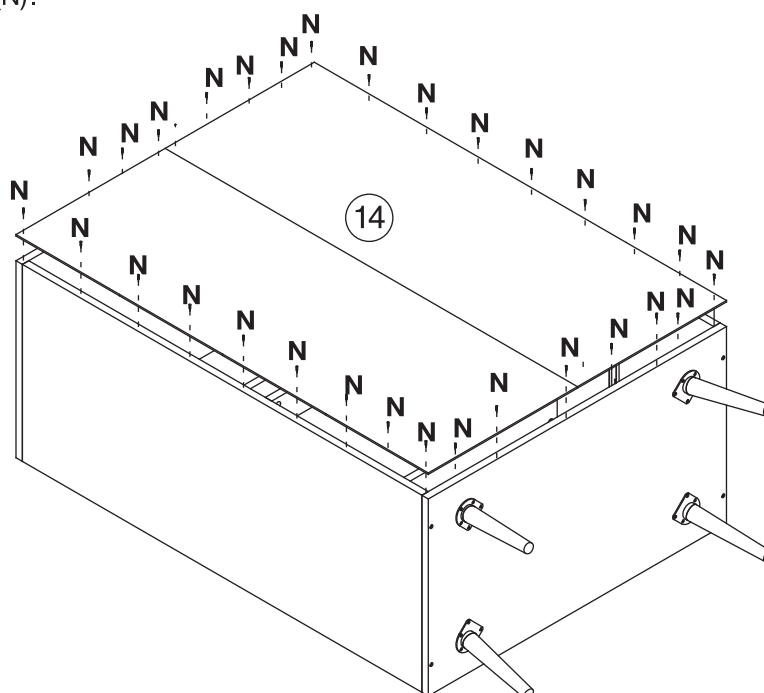
B x 4



M x 4

STEP 12

Fix panels 14 to the back of the assembled unit using nails (N).

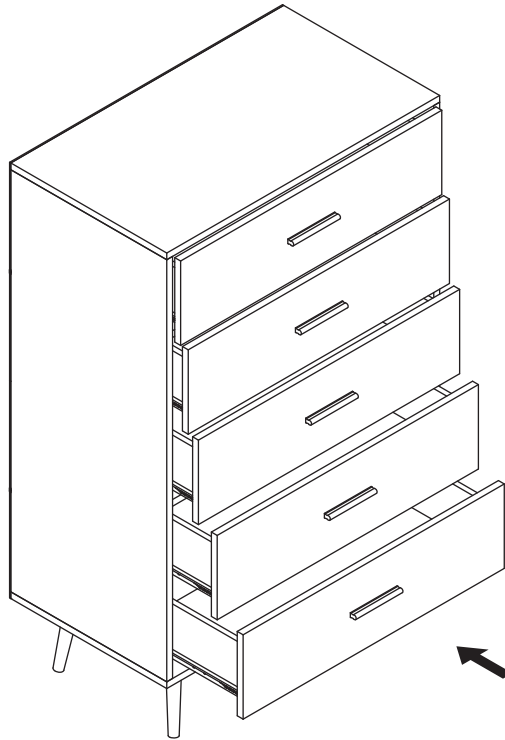


N x 30

Luxe Chest of 5 Drawers

STEP 13

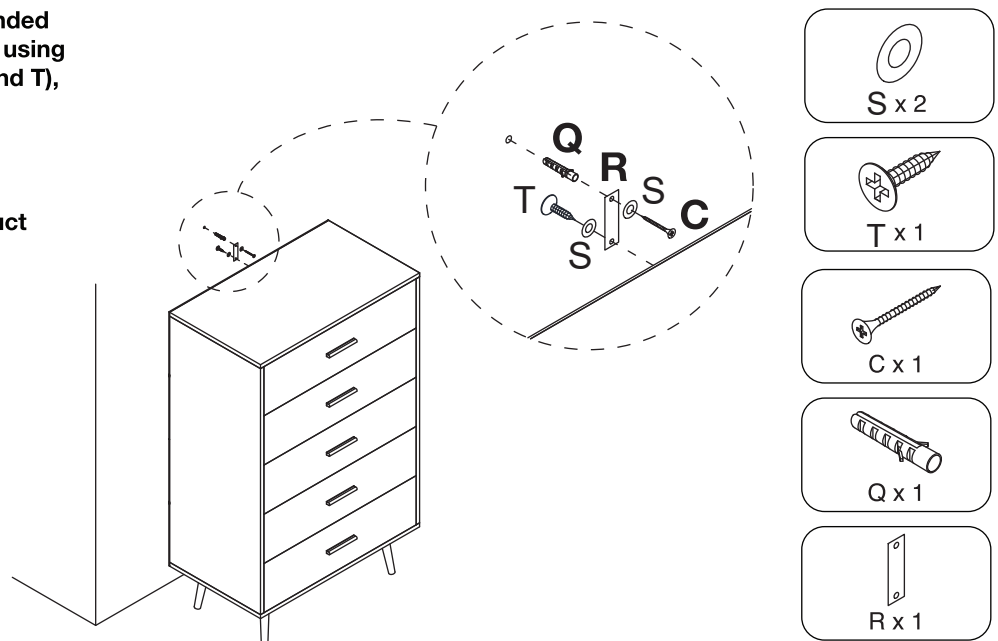
Fit drawers to assembled unit.



STEP 14

For extra stability, it is recommended that you fix the drawers to a wall using additional hardware (C, Q, R, S and T), as shown.

Should you choose to not affix the product to the wall, serious injury may be caused if the product tips over.



Your chest of drawers is ready for use.

Maximum recommended weight limit is 5kg per drawer.

Luxe Chest of 5 Drawers

WALL FIXING GUIDE

NOTE: Supplied wall plugs are only suitable for use in masonry walls.

If you have any doubts about using the correct plug for your wall, please seek professional advice. Failure of the product due to using incorrect fixings is the responsibility of the installer.



IMPORTANT:

When drilling into walls, always check for hidden wires or pipes, etc.



Tips & Tricks

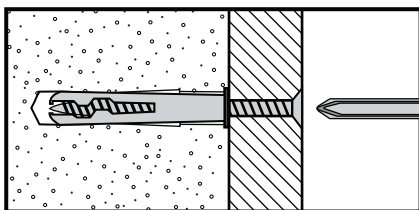
Make sure that the hardware used is suitable for supporting your unit.

Please consult a qualified tradesperson if unsure.

- ☑ If you are unsure, please select a larger screw and wall plug.
- ☑ Ensure that you use the recommended drill bit to match the wall plug and hole size.
- ☑ Take extra care when drilling high walls, ceiling and ceramic tiles. Ensure wall plugs are inserted beyond the thickness of the ceramic tiles to avoid splitting or cracking.
- ☑ Ensure that wall plugs are well fitted and are a tight fit in the drilled hole.

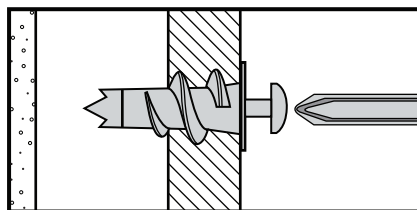
Types of Walls

Use one of the following types of wall plug (not included) if your walls are made of brick, breeze block, concrete, stone or wood. Screws may be able to be fixed directly to solid wood walls as they will provide a secure anchor point.



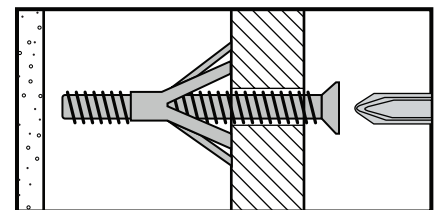
1. General Purpose Wall Plug

Generally, aerated blocks should not be used to support heavy loads, use a specialist fitting in this case. For light loads, general purpose wall plugs can be used.



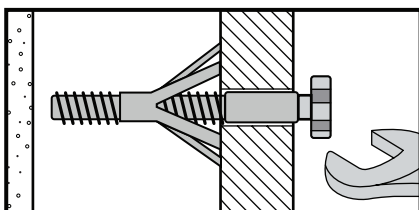
2. Plasterboard Wall Plug

For use when attaching light loads onto plasterboard partitions.



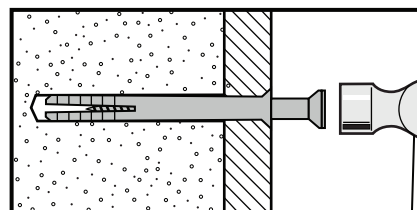
3. Cavity Fixing Wall Plug

For use with plasterboard partitions or hollow wooden doors.



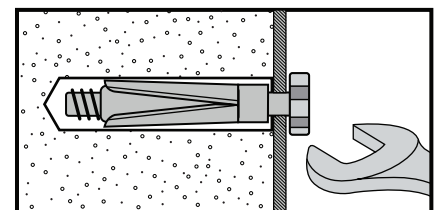
4. Cavity Fixing Heavy Duty Wall Plug

For use when fitting or supporting heavy loads such as shelving and wall cabinets.



5. Hammer Fixing Wall Plug

For use with concrete block or brick walls, or walls stuck with plasterboard. The hammer fixing allows it to be fixed to the wall rather than the plasterboard. Always check the fixing is secure to the retaining wall.



6. Shield Anchor Wall Plug Heavy Loads

For use with concrete or brick walls, or for use with heavier loads such as TV & HiFi speakers and satellite dishes, etc.