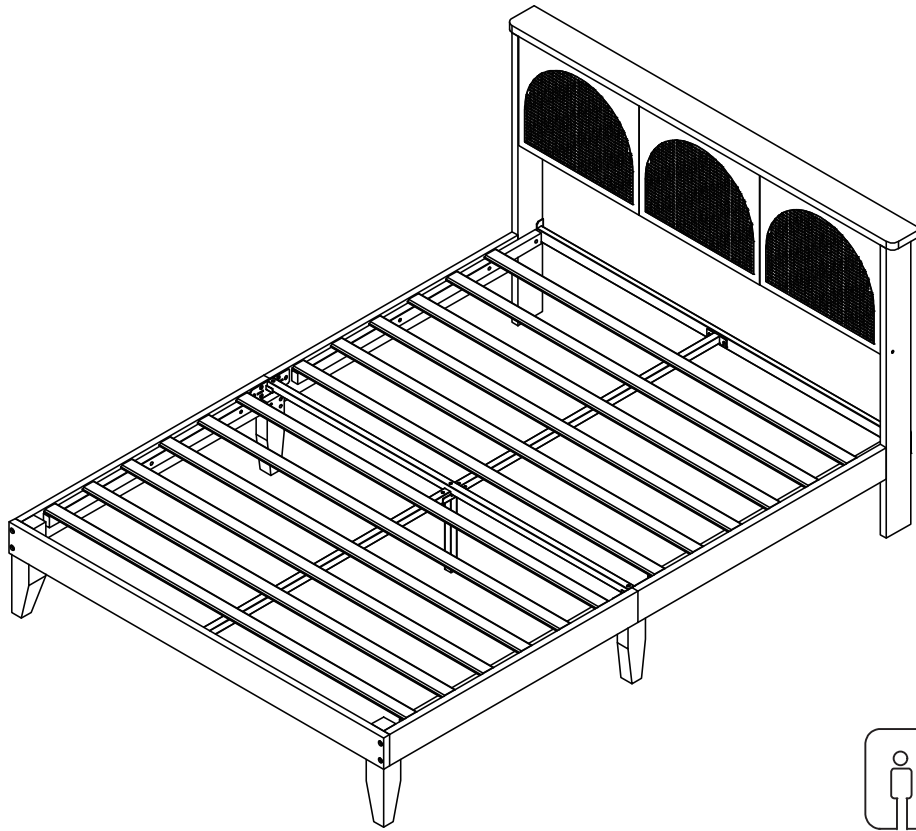

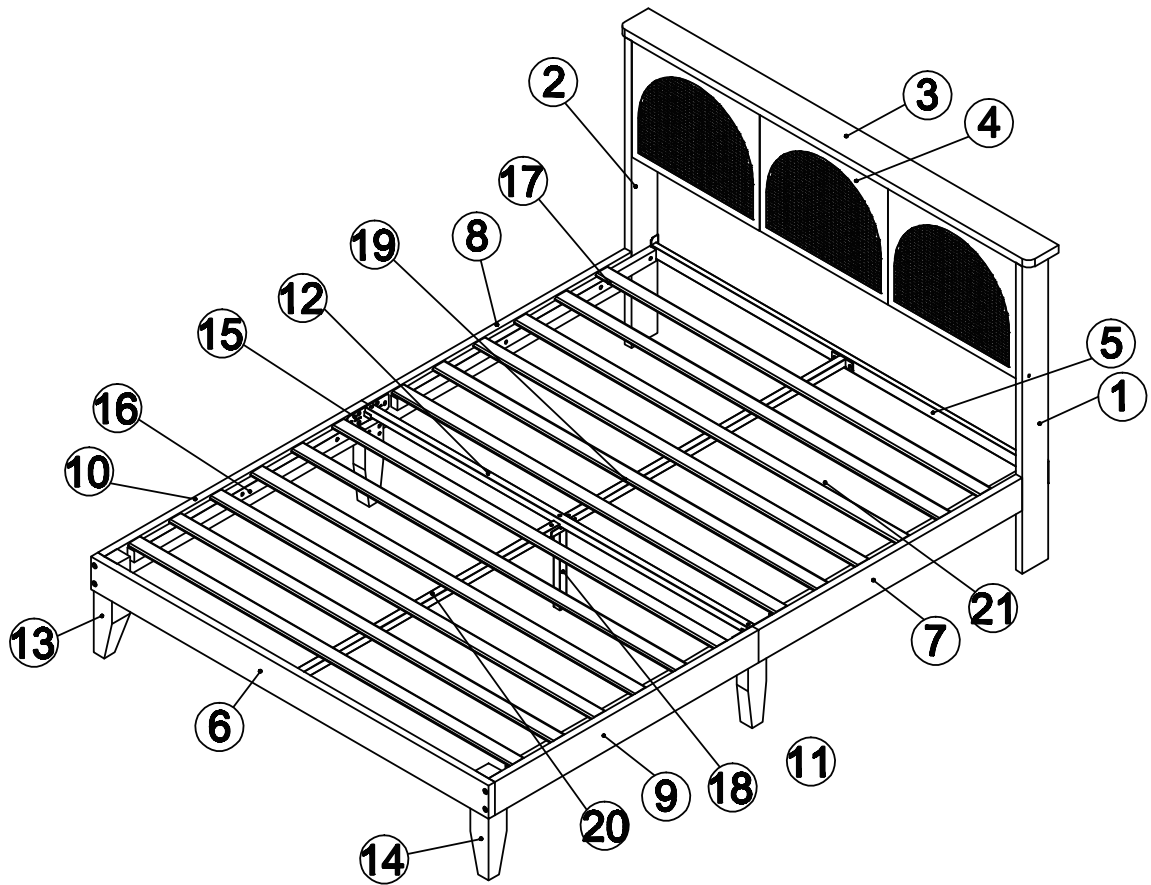


# Bed Frame Installation Manual

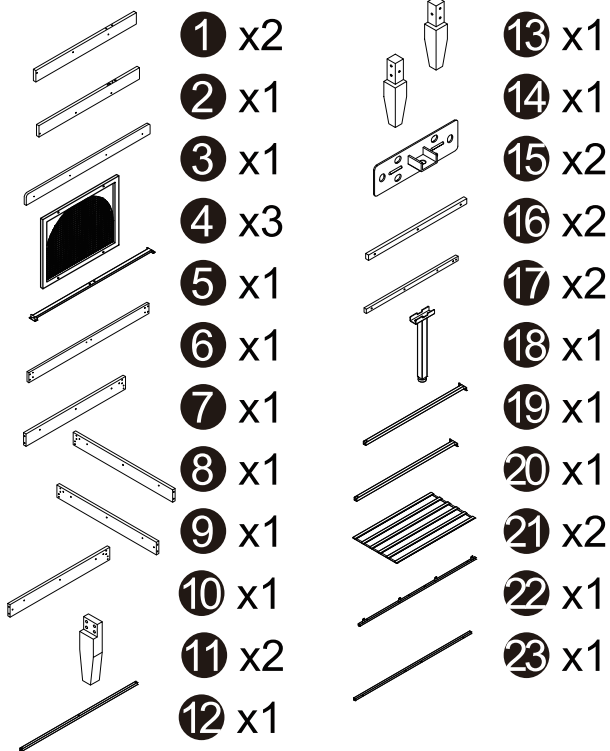


 Team  
Assembly  
Recommended









**Note: Don't tighten all screws during installation.**

**Components** ▾



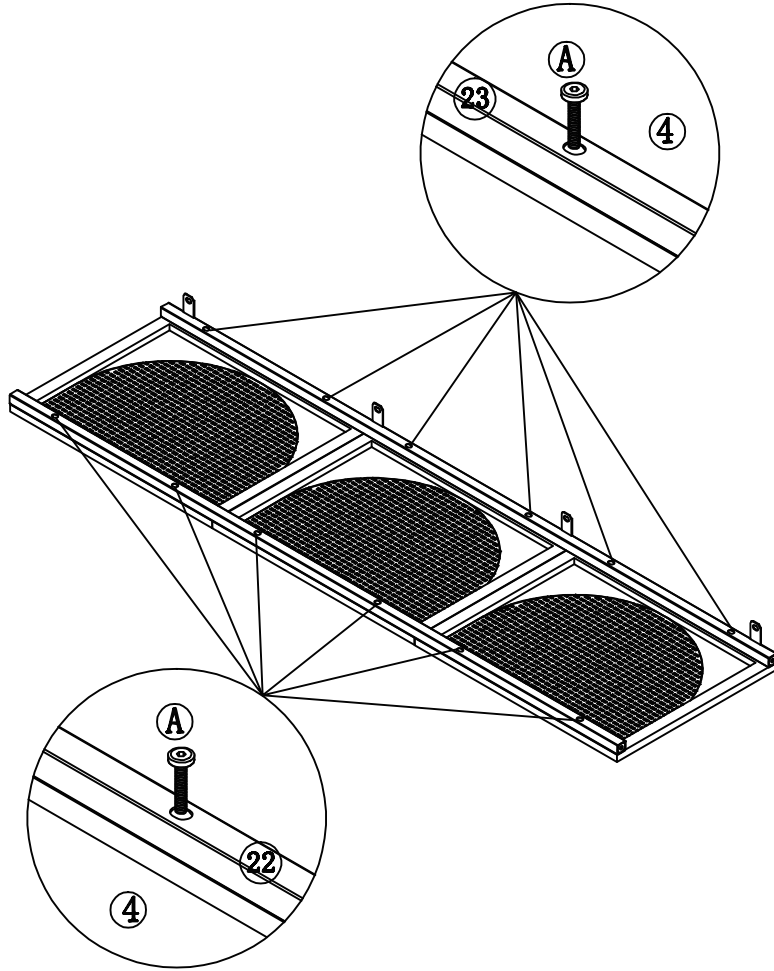
Check all the components & screws before assembly.  
Do not install in case part is missing, contact us to get.



**Components** ▾

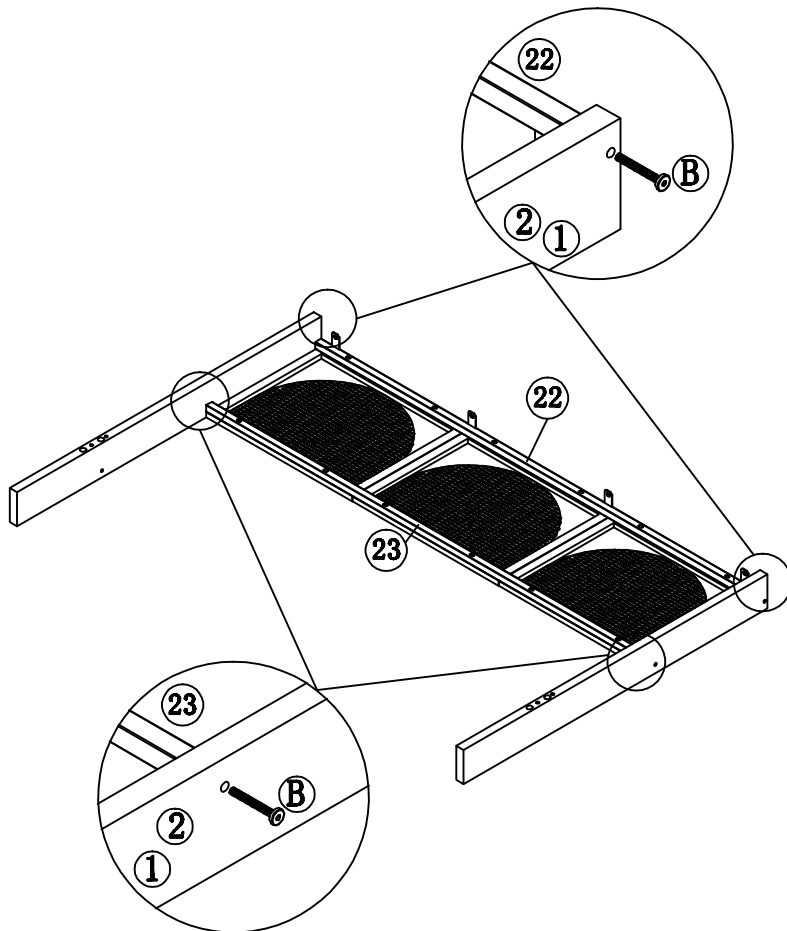
<b>A</b>		M6*30mm	<b>x12</b>
<b>B</b>		M6*60mm	<b>x4</b>
<b>C</b>		M8*15mm	<b>x24</b>
<b>D</b>		M8*35mm	<b>x30</b>
<b>E</b>		M8*60mm	<b>x11</b>
<b>F</b>		4#	<b>x1</b>



Check all the components & screws before assembly.  
Do not install in case part is missing, contact us to get.

# Step 1

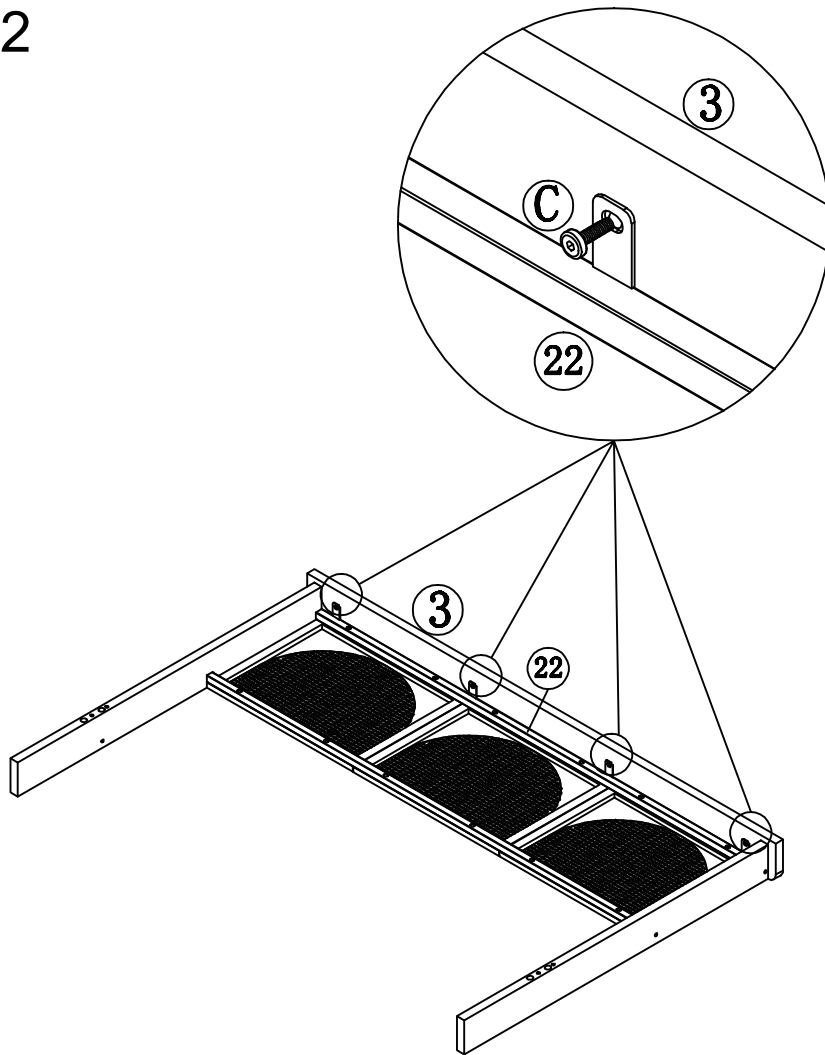



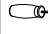
 M6*30mm	<b>A</b> x 12PCS
 4#	<b>F</b> x 1PC

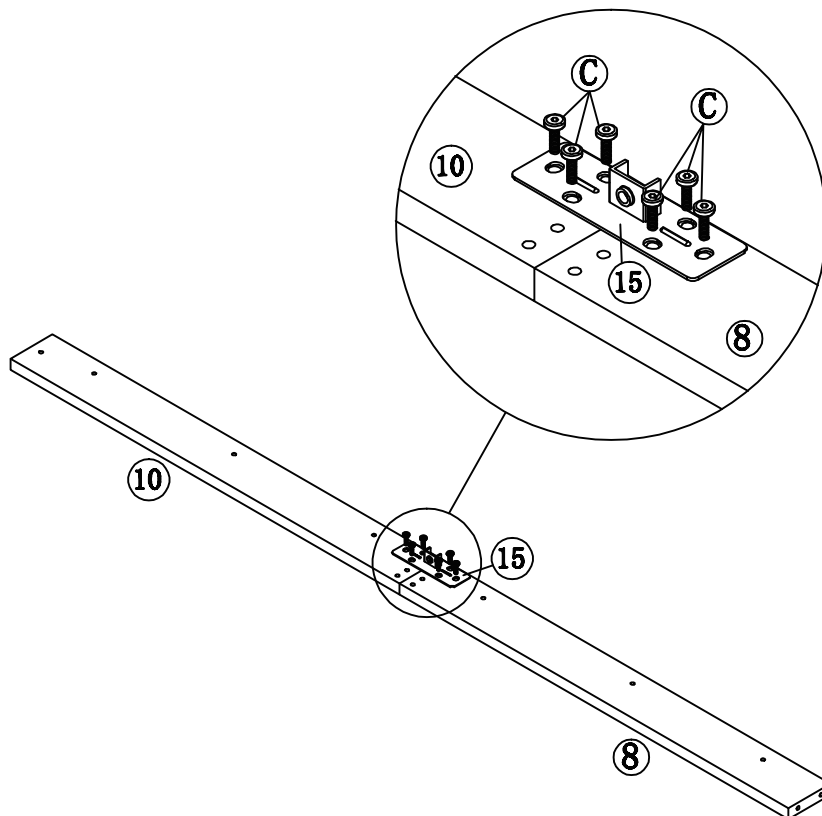


 M6*60mm	<b>B</b> x 4PCS
 4#	<b>F</b> x 1PC

# Step 2



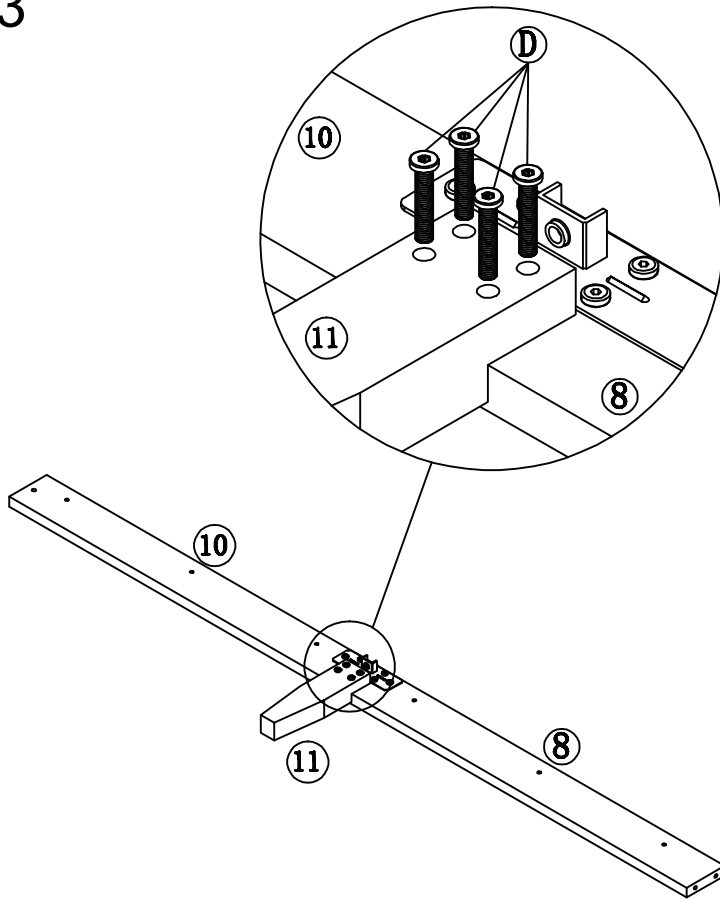
 M8*15mm	<b>C</b> x 4PCS
 4#	<b>F</b> x 1PC





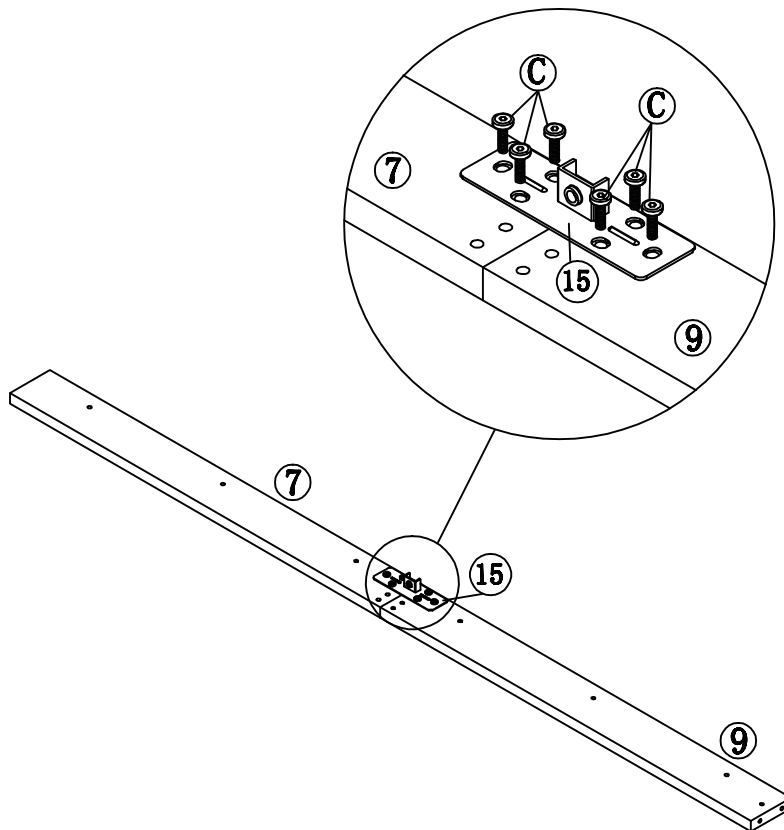
 M8*15mm	<b>C</b> x 6PCS
 4#	<b>F</b> x 1PC

# Step 3

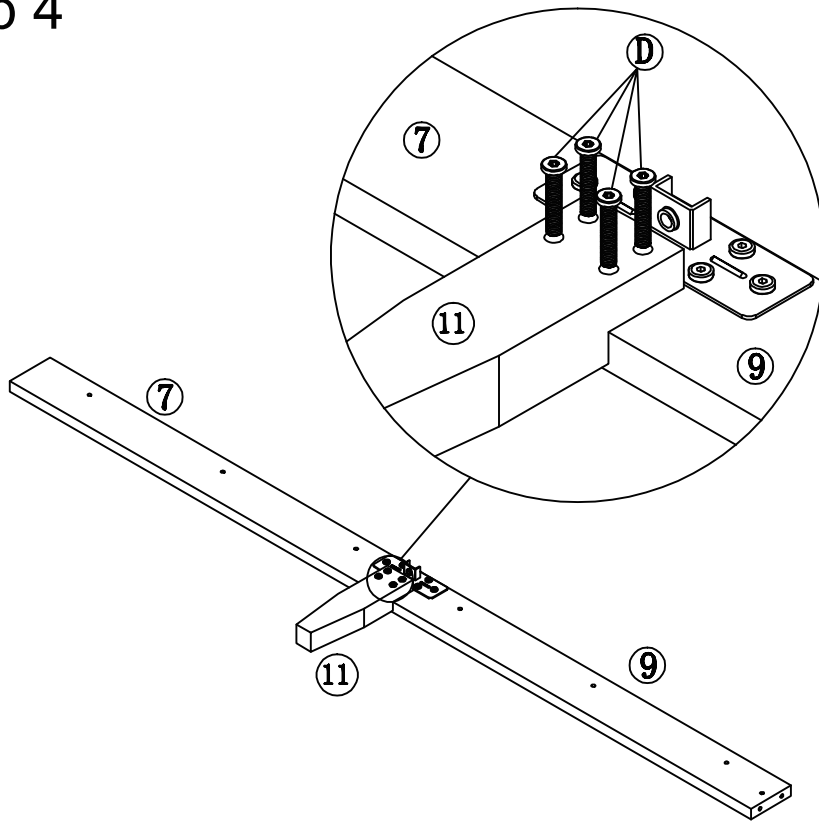
 M8*35mm	<b>D</b> x 4PCS
 4#	<b>F</b> x 1PC




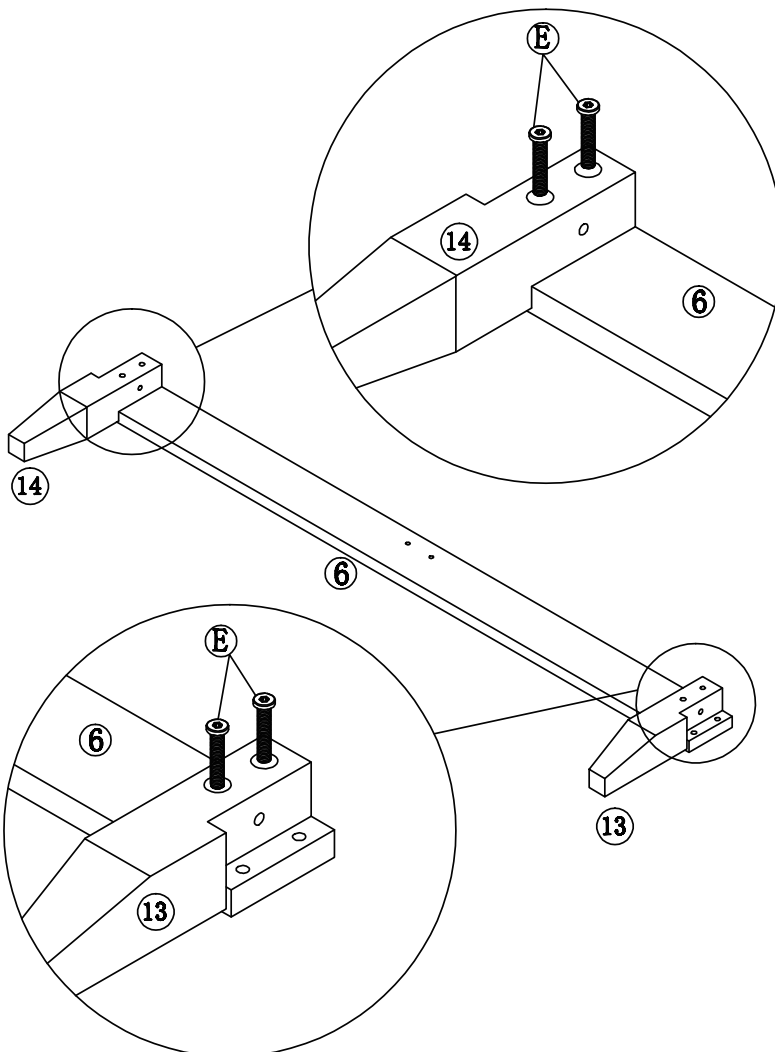
 M8*15mm	<b>C</b> x 6PCS
 4#	<b>F</b> x 1PC





# Step 4



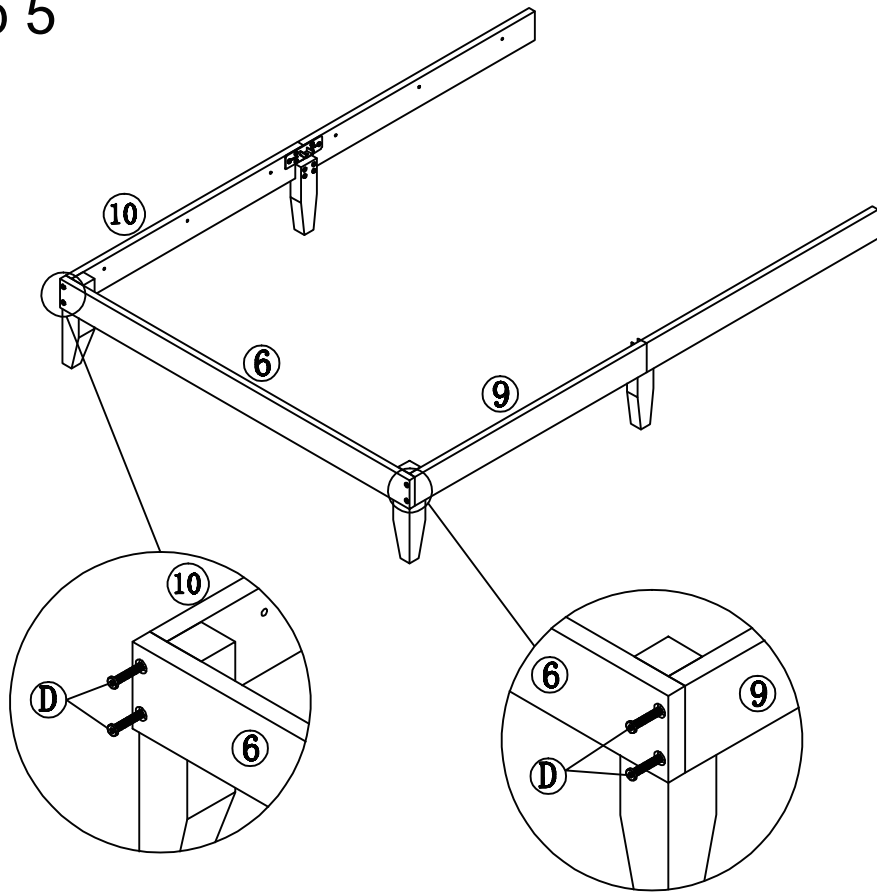
 M8*35mm	<b>D</b> x 4PCS
 4#	<b>F</b> x 1PC


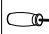


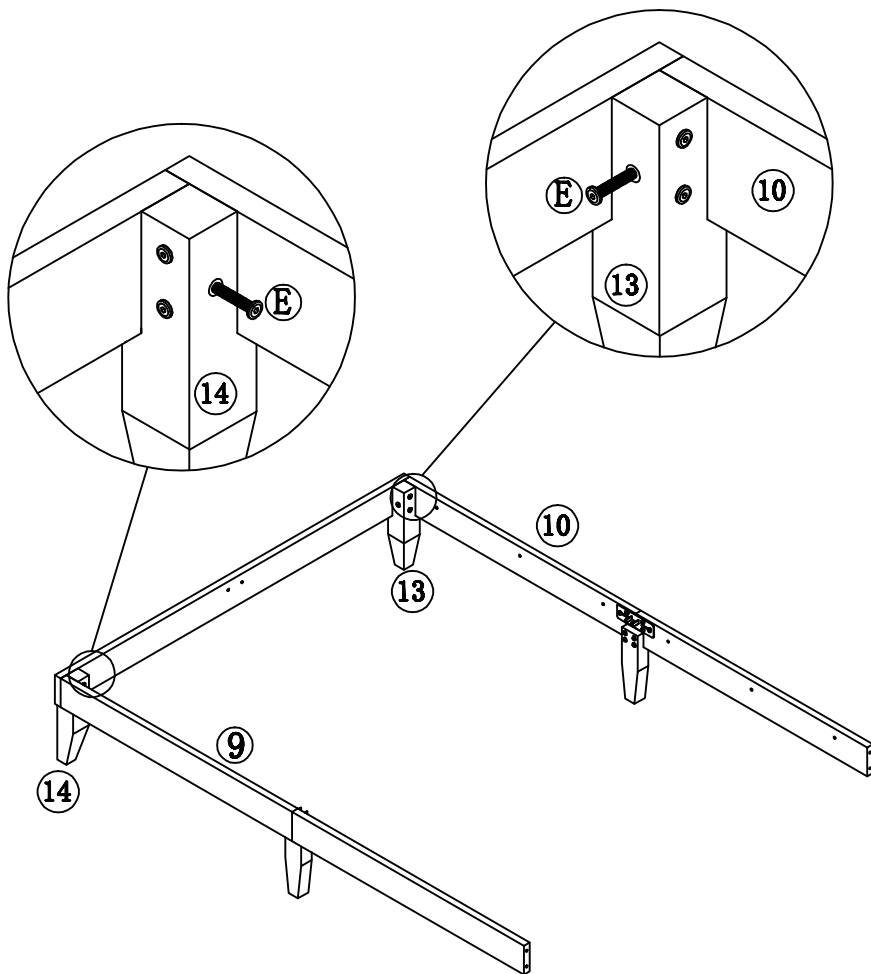
 M8*60mm	<b>E</b> x 4PCS
 4#	<b>F</b> x 1PC

# Step 5



 M8*35mm	<b>D</b> x 4PCS
 4#	<b>F</b> x 1PC

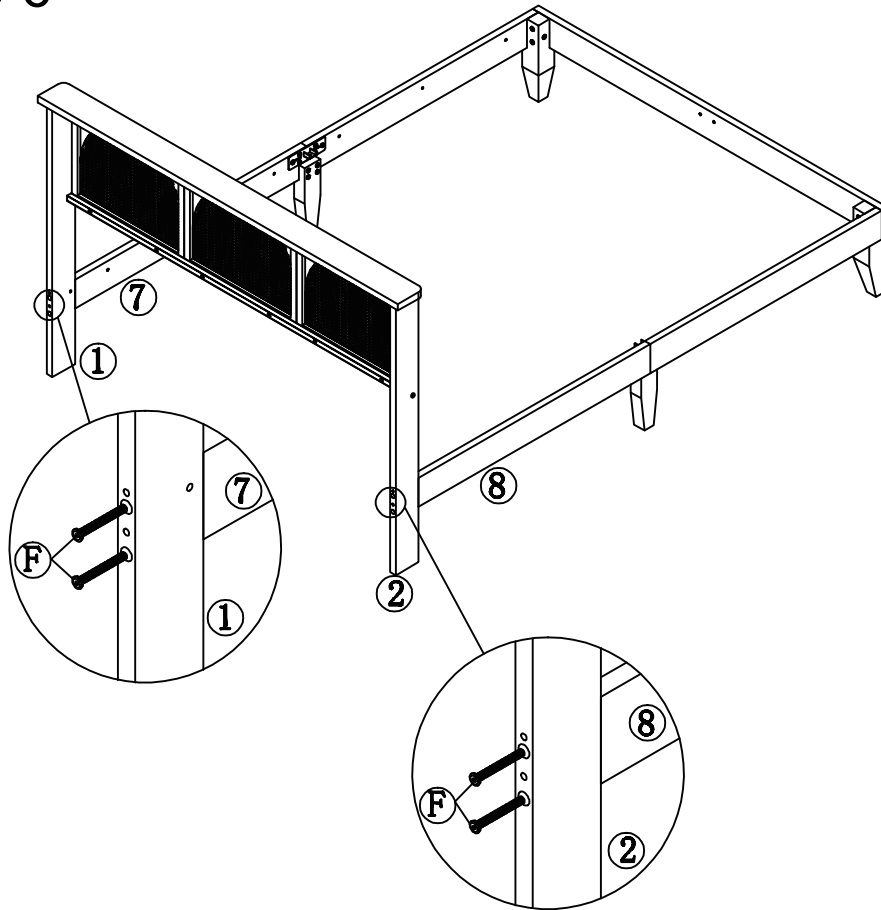


 M8*60mm	<b>E</b> x 2PCS
 4#	<b>F</b> x 1PC

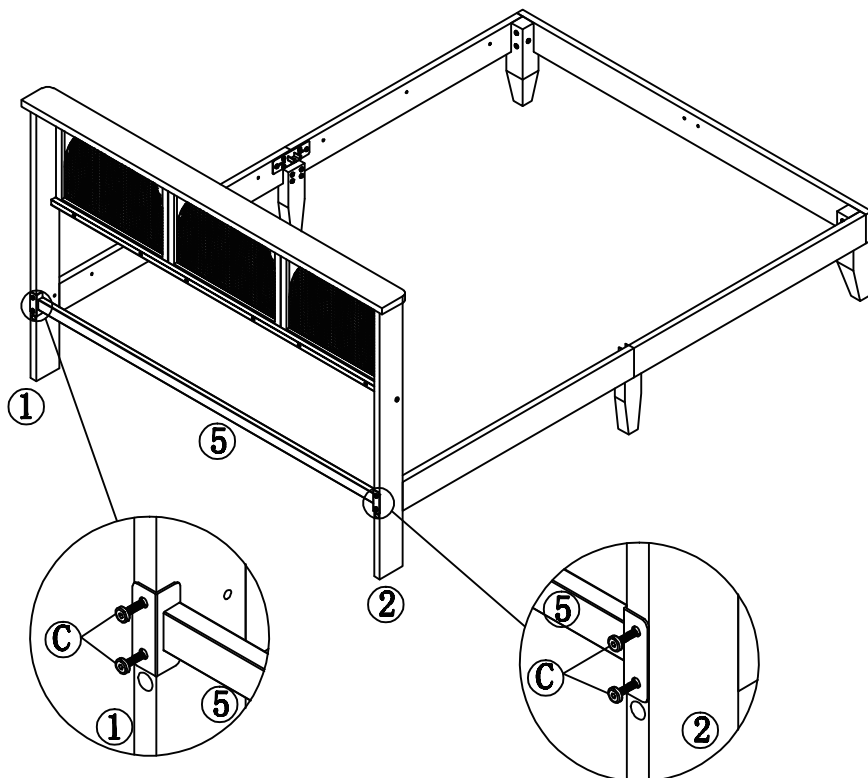


# Step 6

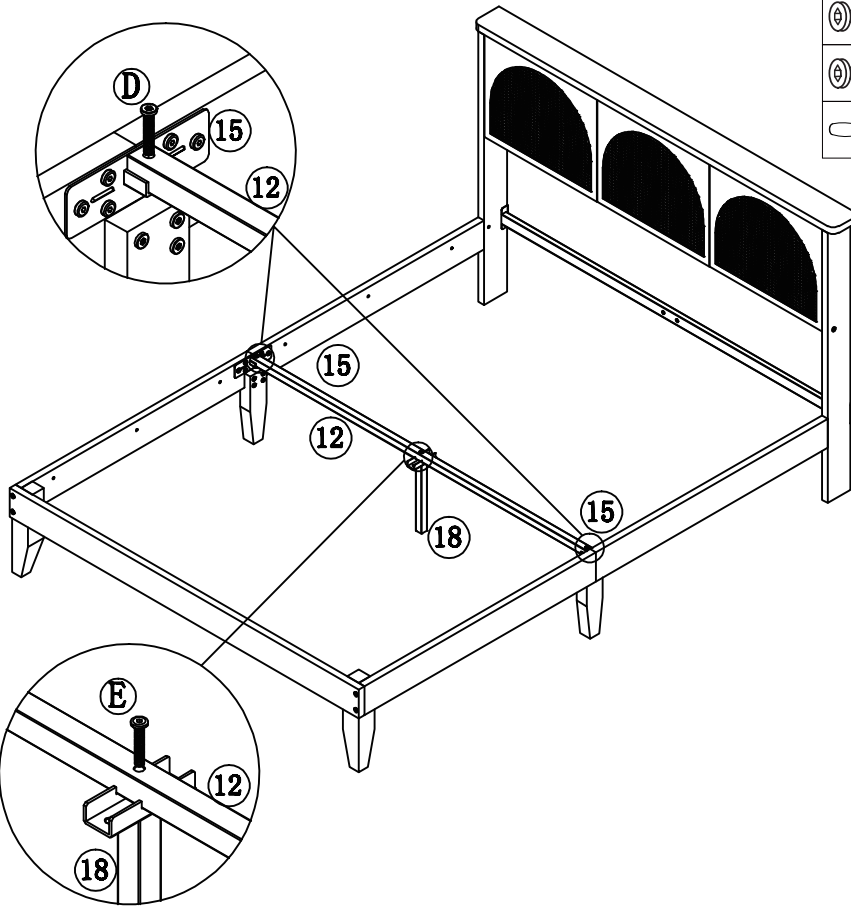
 M8*60mm	<b>E</b> x 4PCS
 4#	<b>F</b> x 1PC






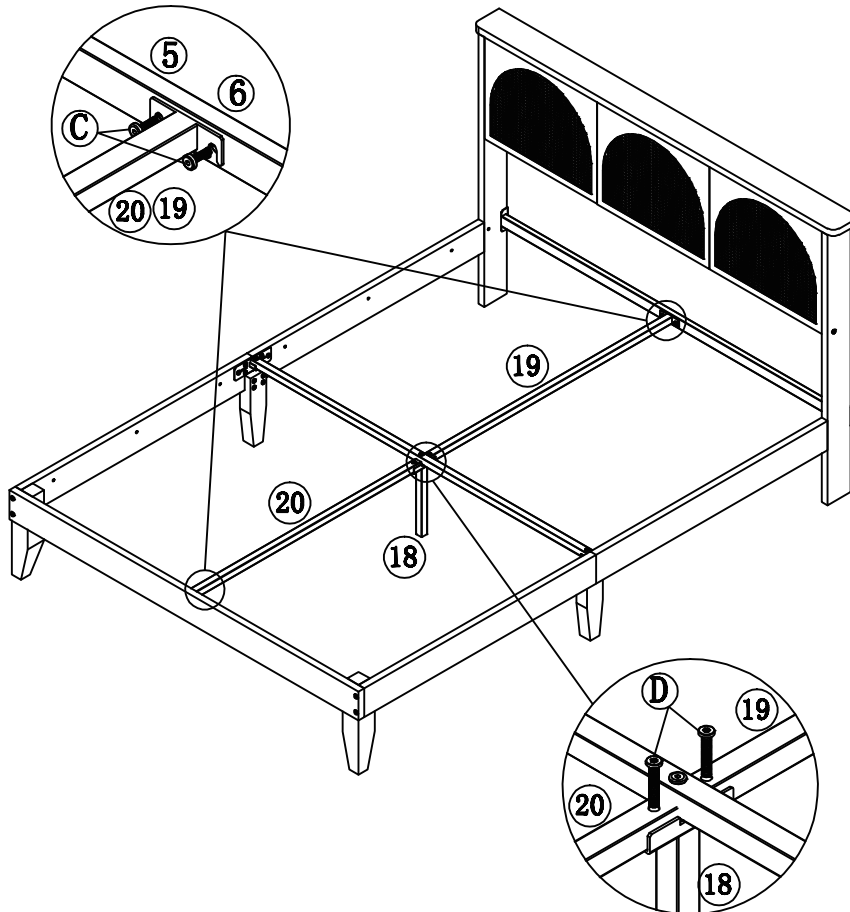
 M8*15mm	<b>C</b> x 4PCS
 4#	<b>F</b> x 1PC






# Step 7

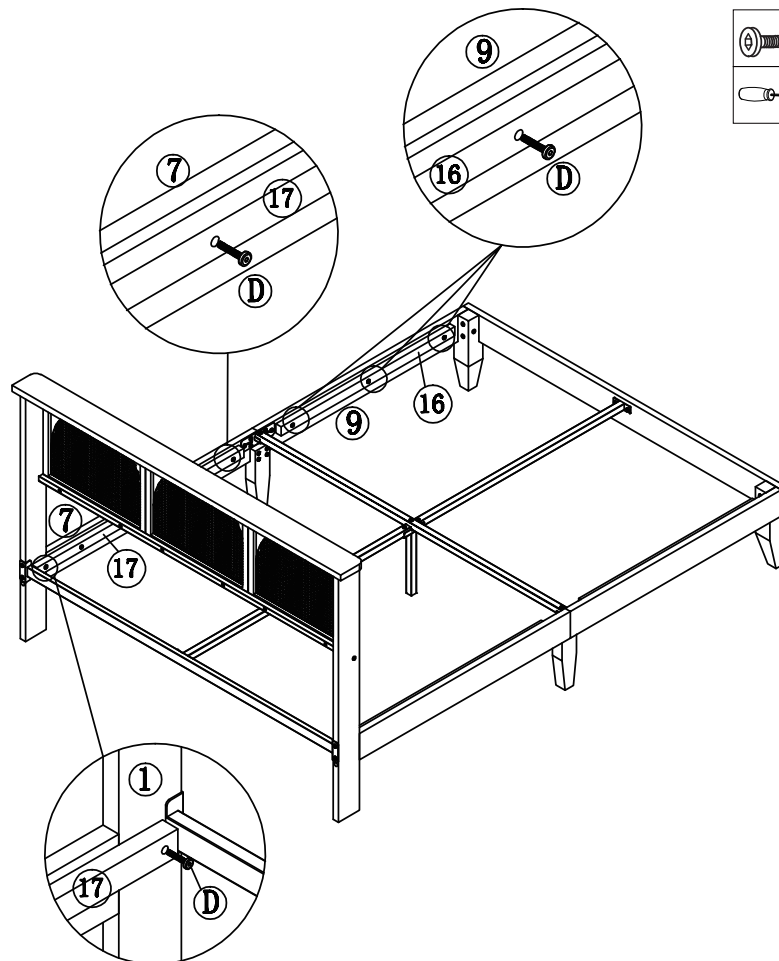
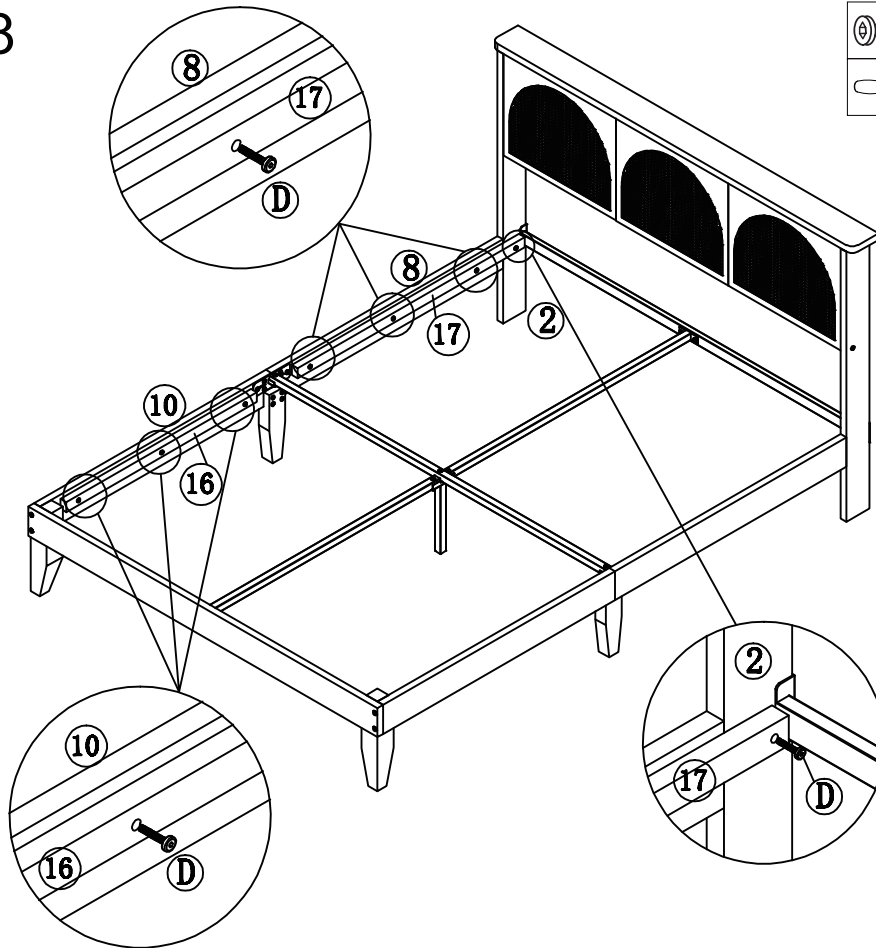


 M8*35mm	<b>D</b> x 2PCS
 M8*60mm	<b>E</b> x 1PC
 4#	<b>F</b> x 1PC

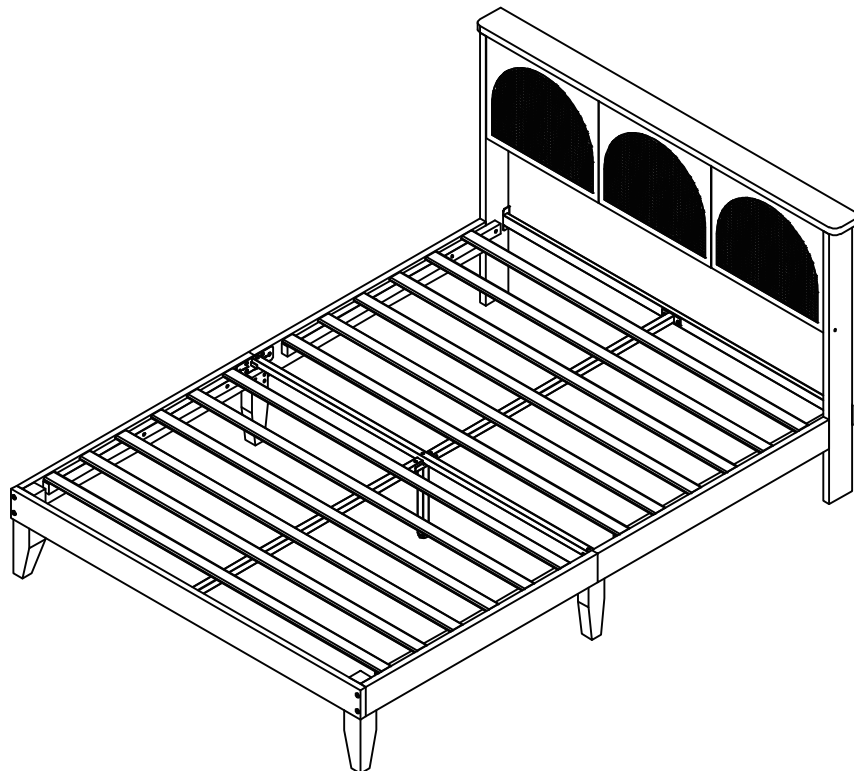
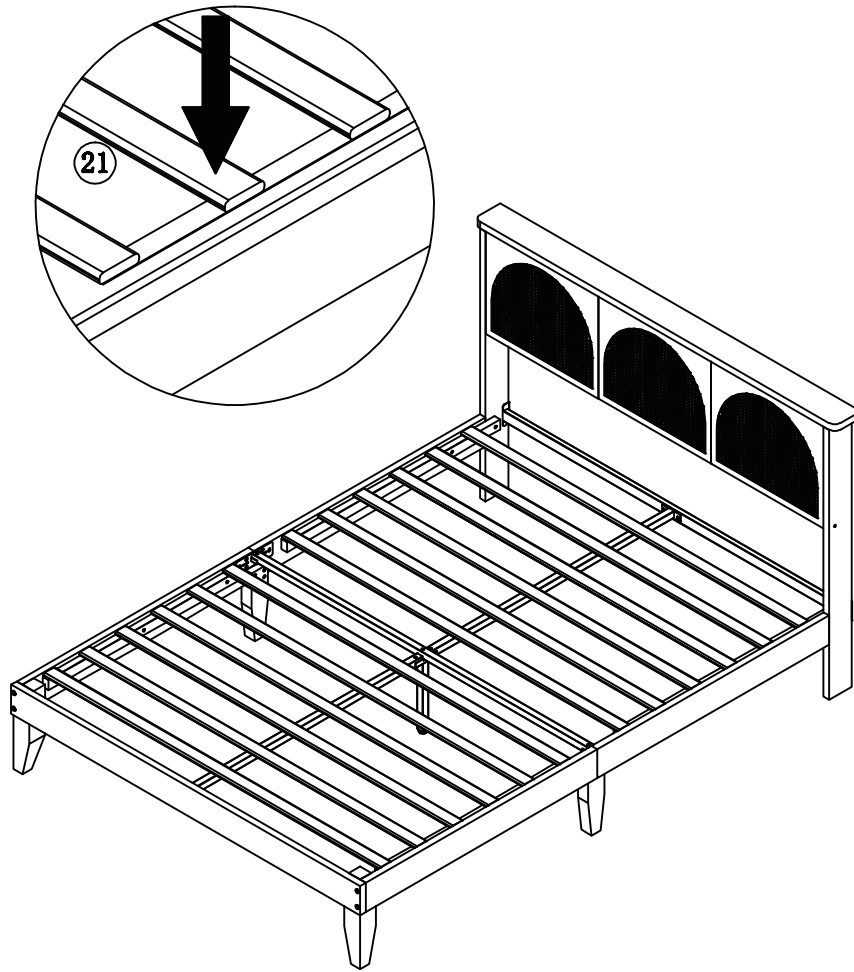


 M8*15mm	<b>C</b> x 4PCS
 M8*35mm	<b>D</b> x 2PCS
 4#	<b>F</b> x 1PC

# Step 8



# Step 9



## IMPORTANT SAFETY INFORMATION

Please carefully read the instructions and caution warnings below before assembling the product. Following this guide will ensure that you install, use and maintain the product properly.

- Please keep this installation and user manual/instructions for future reference in case you need to assemble the product.
- Do not assemble if you notice serious damage such as cracks or bends.
- During installation, please use work gloves for hand safety.
- Please assemble the unit on carpeted floor or the flat cardboard box to avoid scratching the surface or your floor while assembling on the floor.
- To assemble, please use the complimentary installation tools (Allen Wrench). Pay more attention to the direction of components at each steps.
- It is recommended that two people work together to assemble the product.
- Please do not tighten the screws up too much, just to 80% before you finish to make the installation go on successfully.

## HOW TO MAINTAIN YOUR PRODUCT:

- Check the screws of the product are not loose from regular use.
- Do not use sharp instruments, rubbing alcohol, corrosive chemicals, or abrasive cleaners to clean the product.
- Do not keep the product in a damp environment for a long period of time. The damp environment may cause the iron components to rust and the plates to bulge and crack.

## CAUTIONS!

