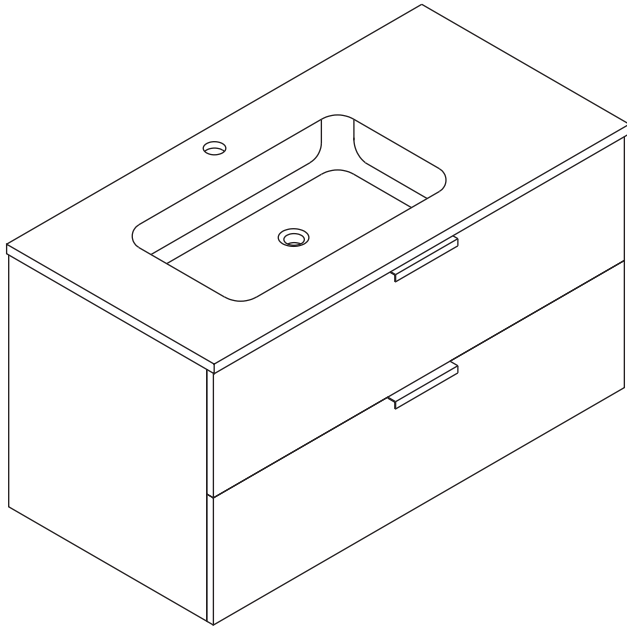


ASSEMBLY INSTRUCTIONS



Bathroom Vanity

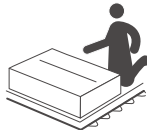
ASSEMBLY INSTRUCTIONS

Notice:

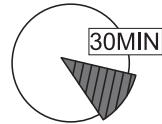
1. Follow the installation instructions. Please confirm all accessories are preset before installation.
2. Do not fully tighten the screws during initial assembly. Fully tighten screws only once all pieces which are correctly assembled.
3. If you encounter any problems during installation, please contact our customer service.
4. Please unbox the item from the side with an open-label and put a carpet on the floor to avoid scratching it.



Recommended installers : 2



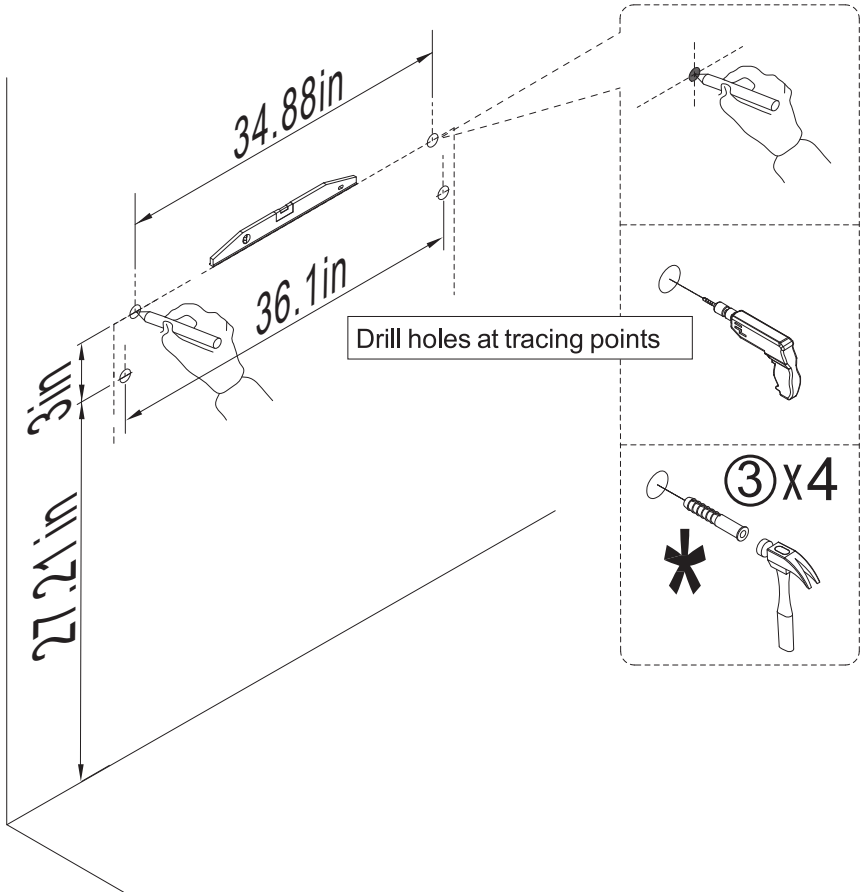
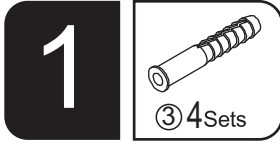
Put a carpet on the floor before unpacking



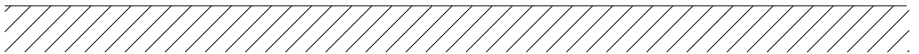
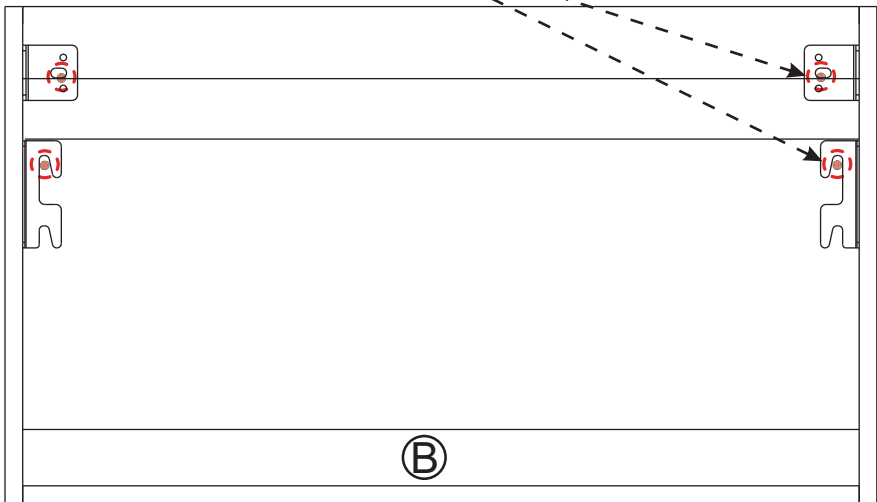
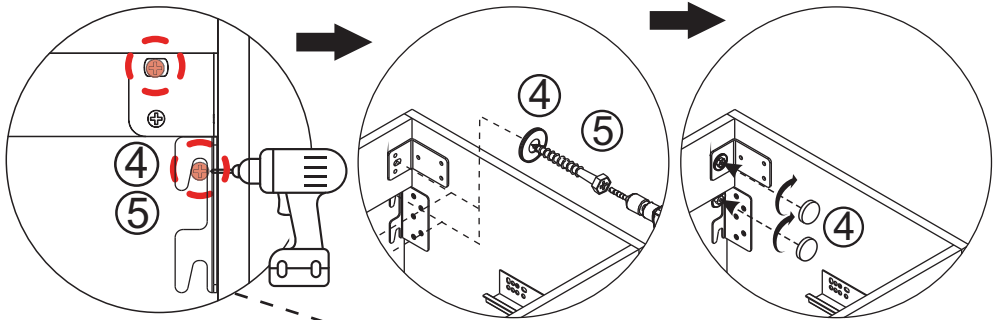
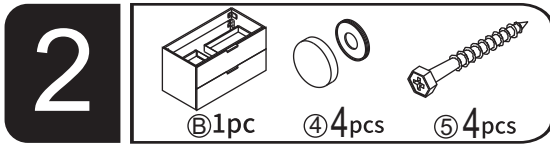
Estimate installation time:
30 minutes

Item no.	Reference Image	Qty	Item no.	Reference Image	Qty
A		x1	4		x4 Sets
B		x1	5		x4
1		x2	6		x6
2	 ø3.5x12mm	x4	7		x1
3		x4			

ASSEMBLY INSTRUCTIONS

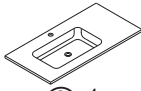


ASSEMBLY INSTRUCTIONS



ASSEMBLY INSTRUCTIONS

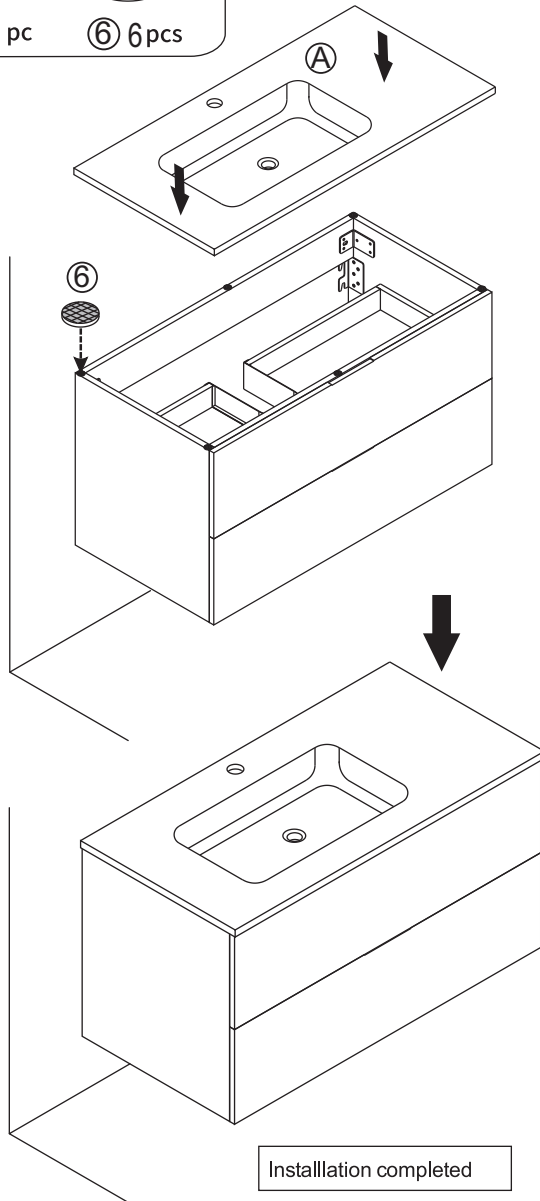
3



Ⓐ 1 pc



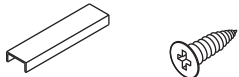
Ⓑ 6 pcs



Installation completed

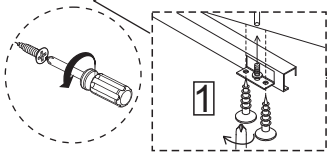
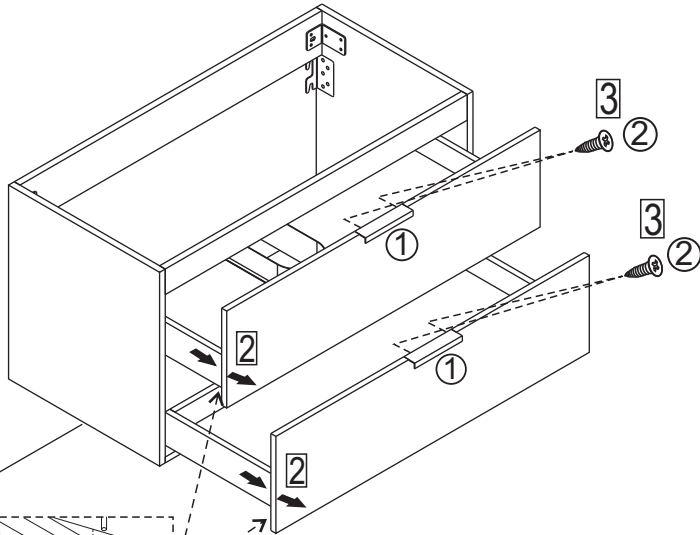
ASSEMBLY INSTRUCTIONS

4

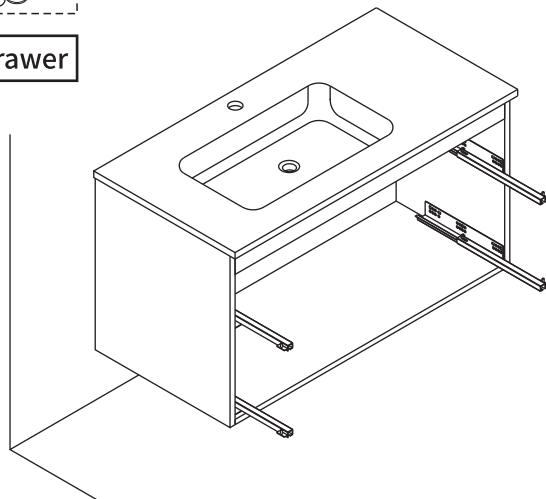


① 2pc ② 4pcs

Installation of drain assembly

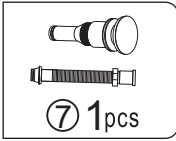


Move out the drawer

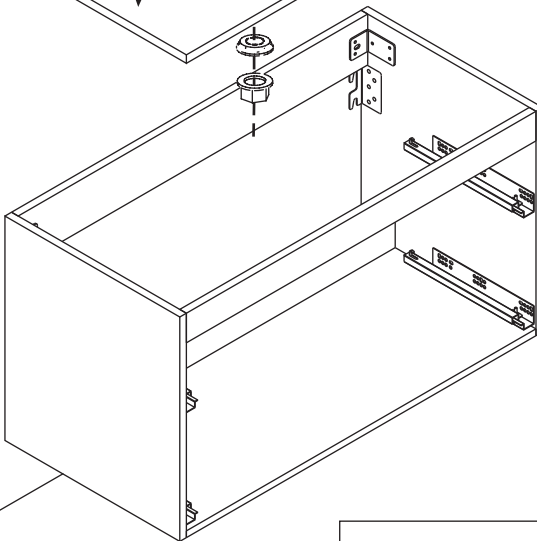
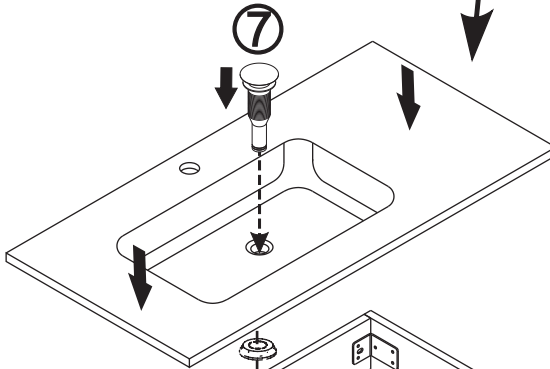
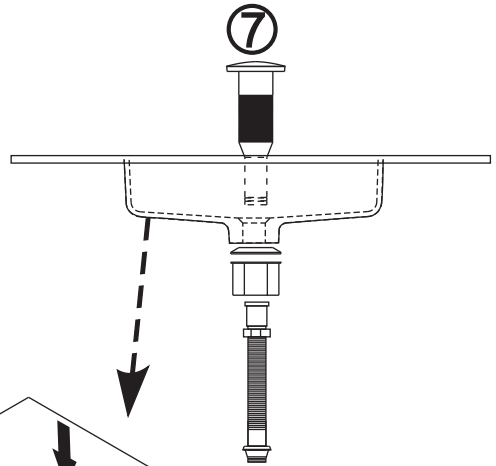


ASSEMBLY INSTRUCTIONS

5



Installation of drain assembly

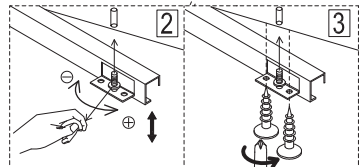
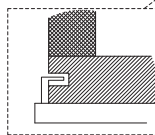
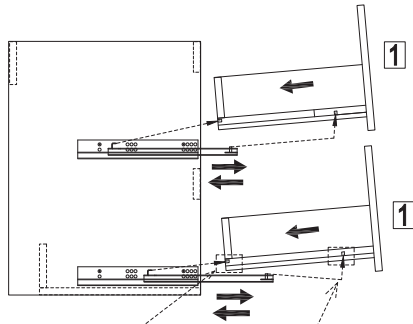
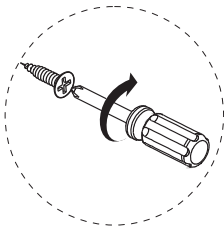
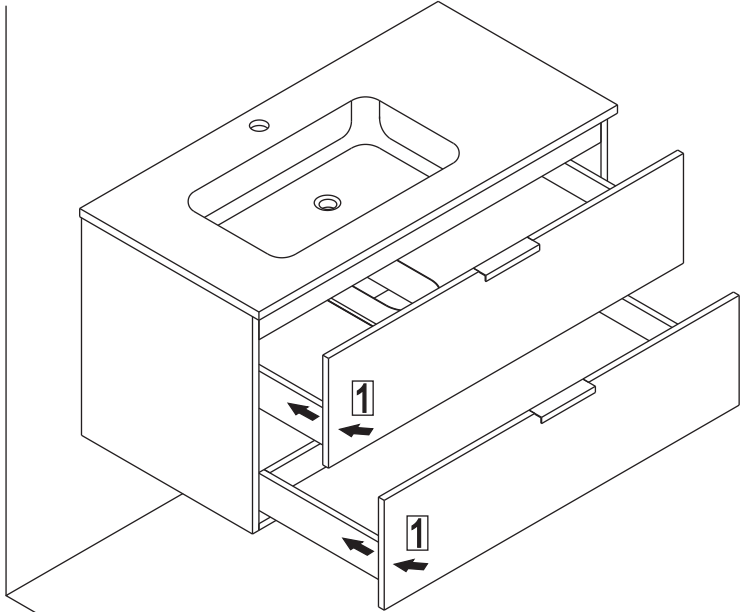


Installation completed

ASSEMBLY INSTRUCTIONS

6

Installation completed



Installation completed