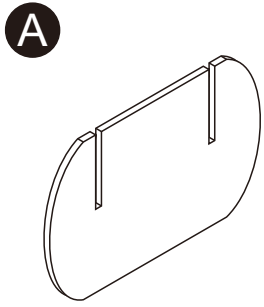
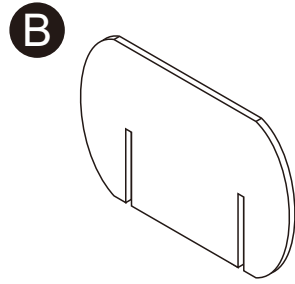


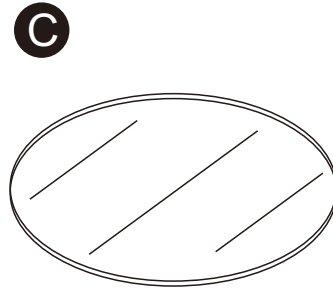
Assembly Instructions



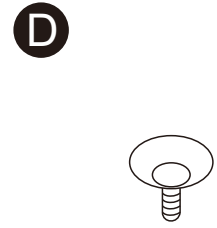
x2



x2

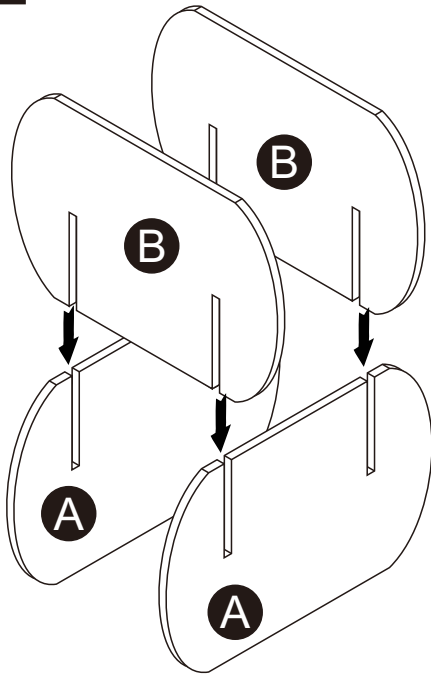


x1

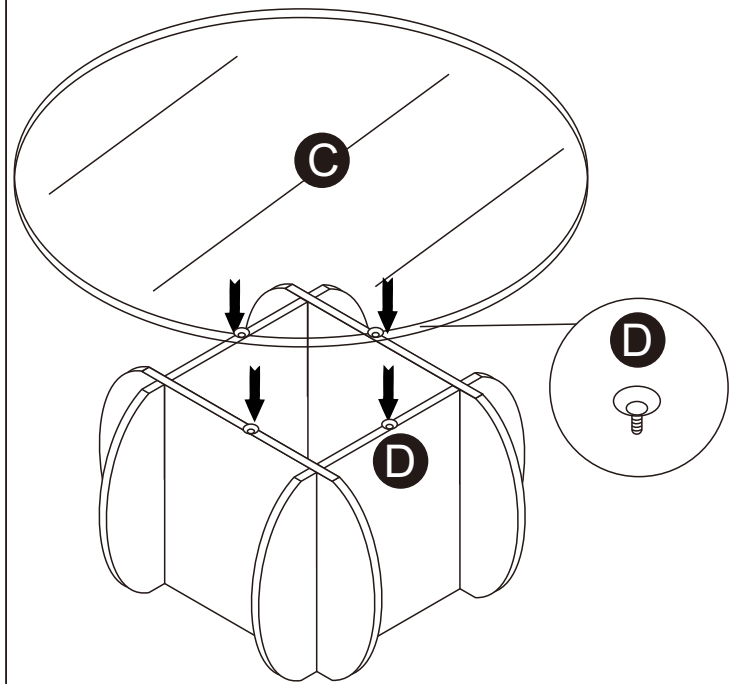


x4

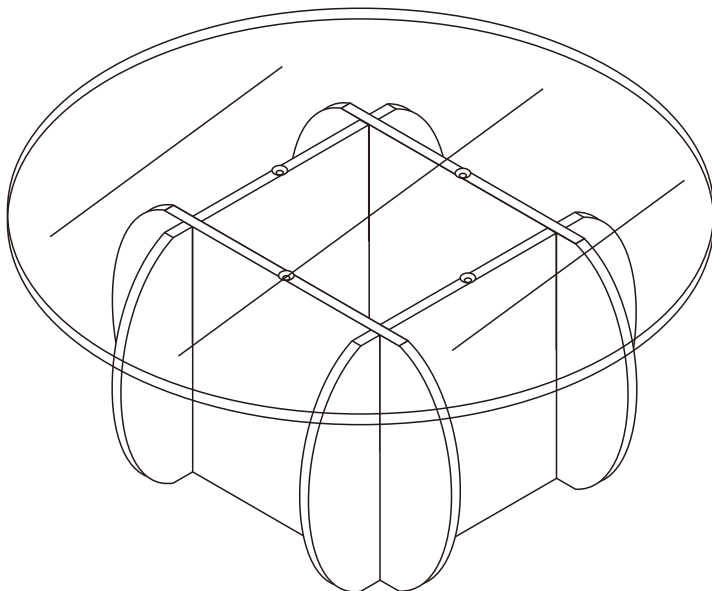
Step 1



Step 2



Step 3



Note:

Install four base boards, please keep the board and board to maintain vertical and horizontal, which is more conducive to the rapid installation of the base, while preventing product installation damage, make the product more solid.

After the base is assembled, align the toughened glass with the corners of the base and press gently to complete the assembly.