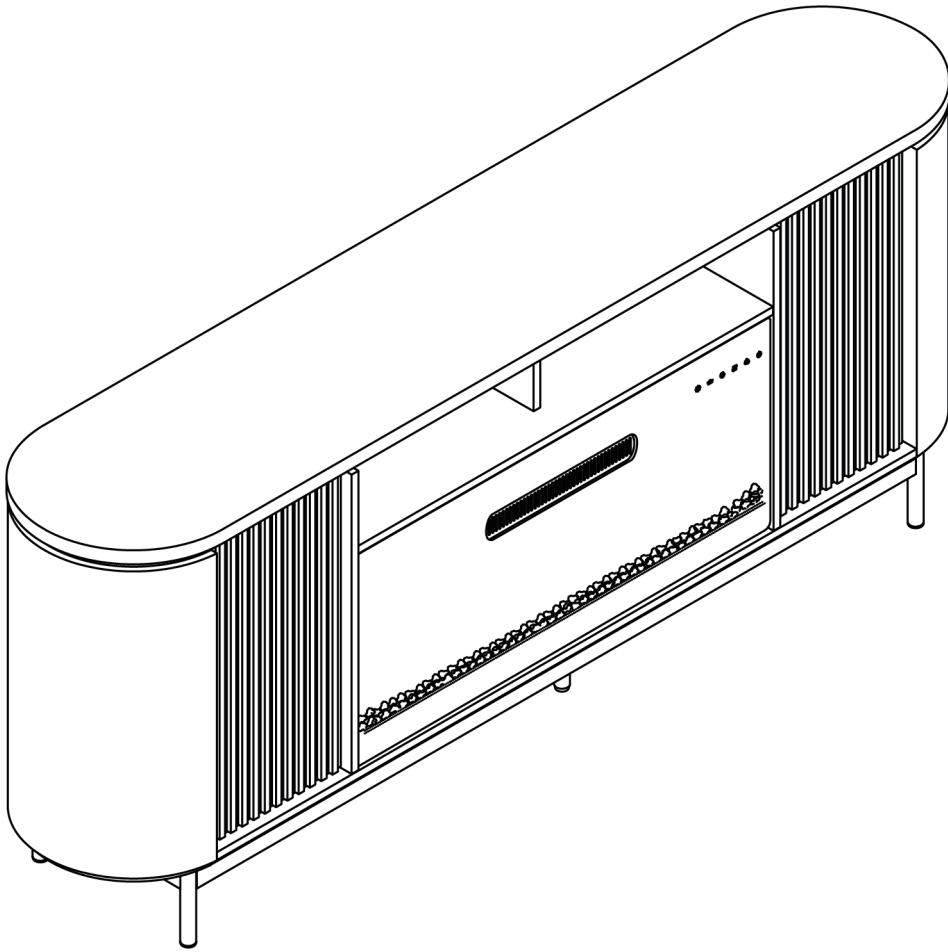


Foundation TV Fire Stand



The instruction booklet contains **IMPORTANT** safety information. Please read it in full and keep it for future reference.

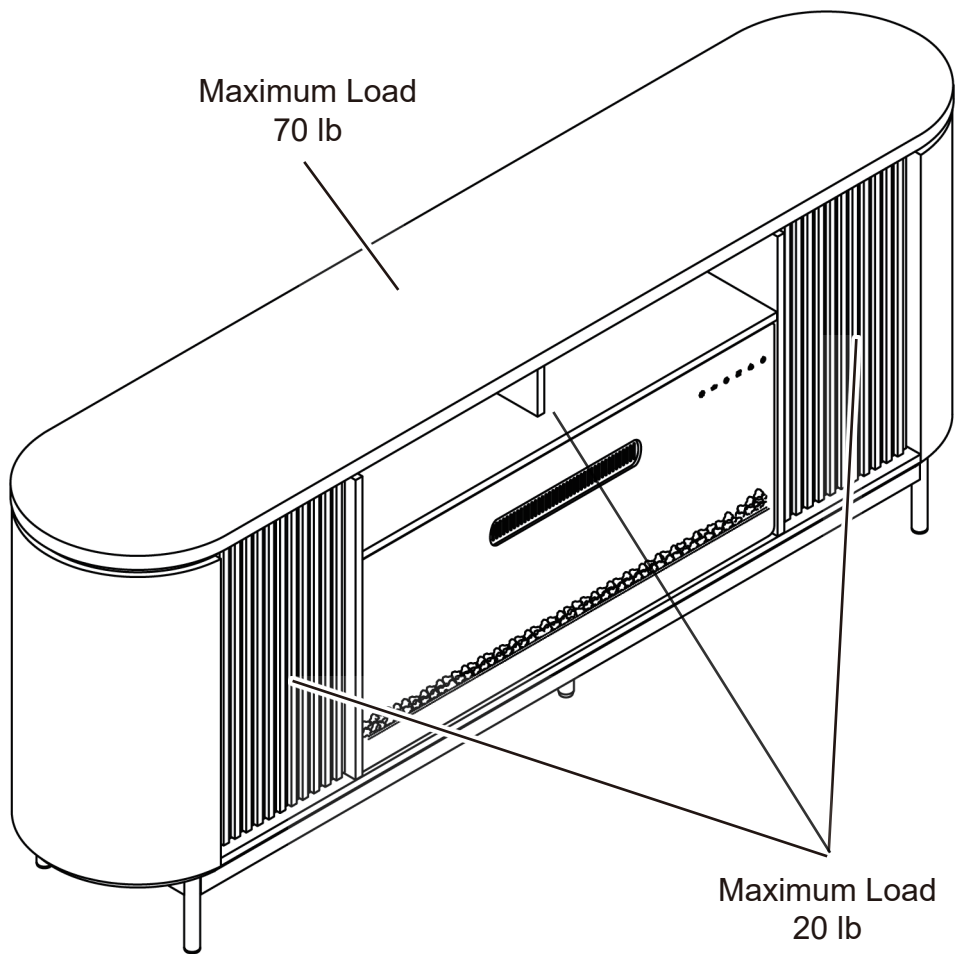


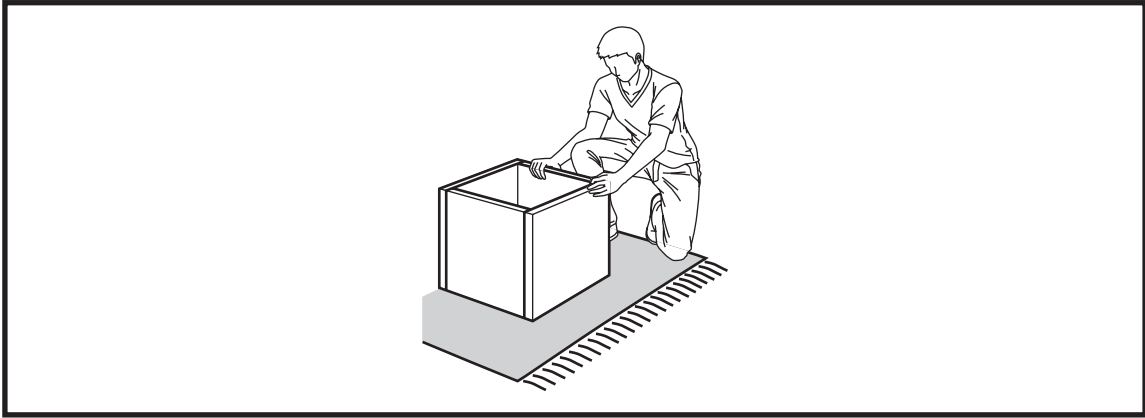
Estimated time for assembly:

90 mins



Weight limitations are as follows:

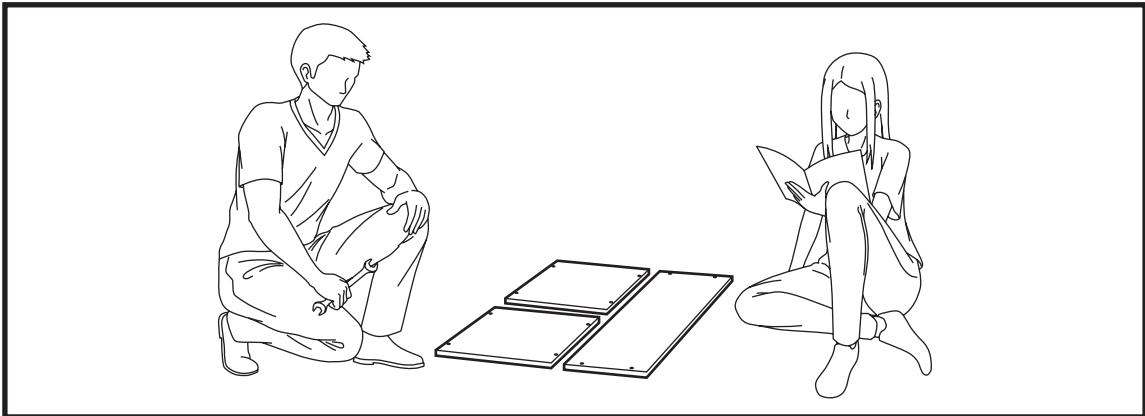




Assemble the furniture on an empty carton, carpet, or rug to prevent scratches or damage.

For safety, please keep pets and children away from the assembly area.

Ensure the product is fully assembled before use. If you are missing any hardware or products, do not use it until you have restored the missing parts.



This furniture requires 2 people for assembly.

Read this instruction manual prior to assembly to familiarize yourself with the various steps.

Lay out all components and hardware separately on a flat surface and make sure that no parts are missing or damaged before assembly. Do not destroy or discard any packaging until you are certain that you have all the necessary parts for assembly.

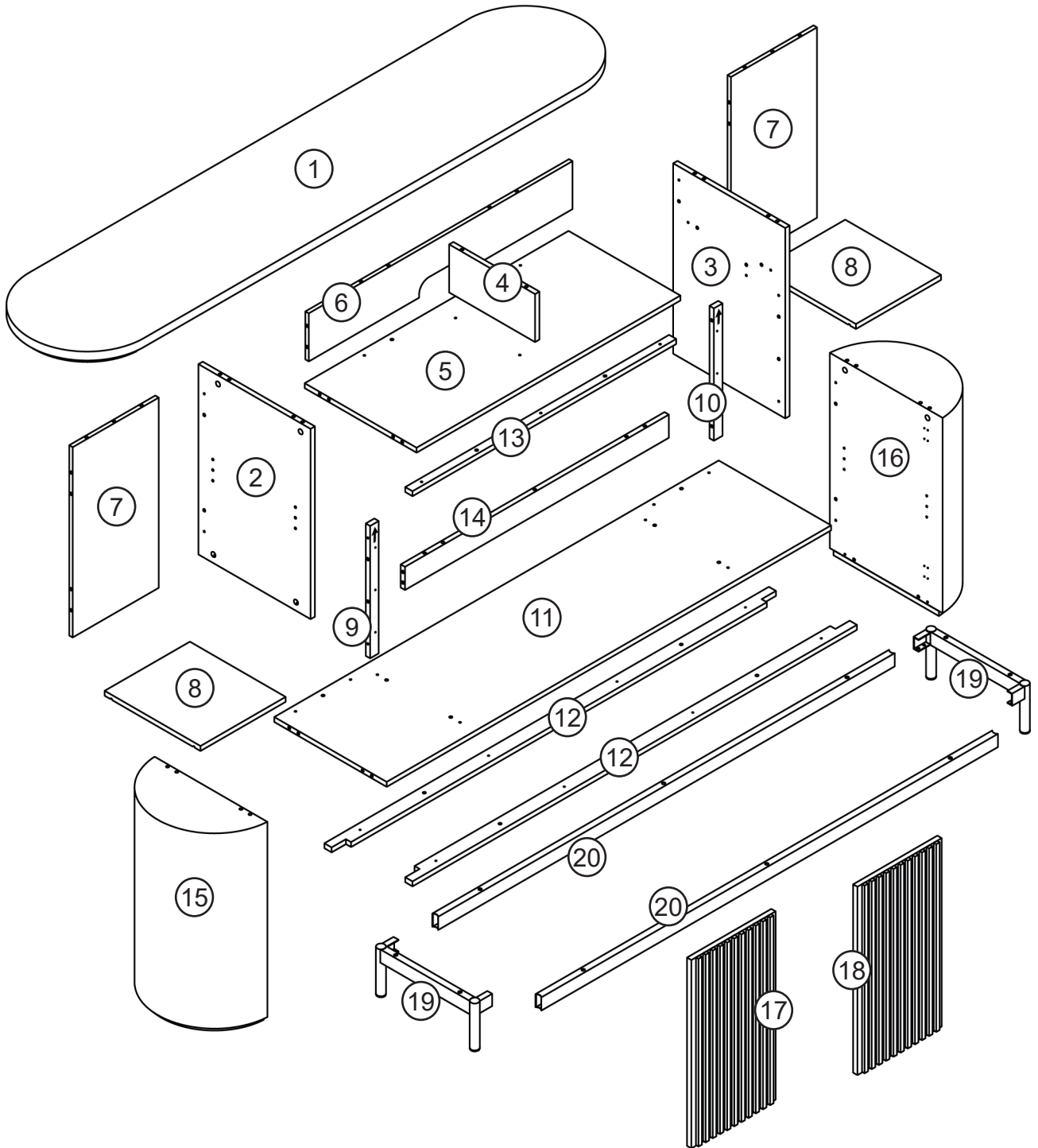
Hand tight all hardware and careful not to over tighten to avoid damaging the product.

CAUTION

There are small components used in the construction of this product. Loose items should be kept away from pets and children to avoid a choking hazard.

Keep all plastic bags and packaging film away from pets and children to avoid suffocation.

PACKAGE CONTENTS



PACKAGE CONTENTS

CODE	DESCRIPTION	QTY
1	Top Panel	1
2	Left Medial Panel	1
3	Right Medial Panel	1
4	Top Division Panel	1
5	Center Panel	1
6	Center Back Panel	1
7	Side Back Panel	2
8	Storage Shelf Panel	2
9	Left Surround Panel	1
10	Right Surround Panel	1
11	Bottom Panel	1
12	Bottom Crossbar	2
13	Top Surround Panel	1
14	Center Crossbar	1
15	Left Semicylinder Block	1
16	Right Semicylinder Block	1
17	Left Cabinet Door	1
18	Right Cabinet Door	1
19	Leg	2
20	Base Crossbar	2

PACKAGE CONTENTS



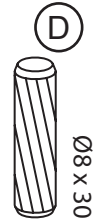
51x + 4x



25x + 2x



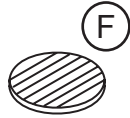
26x + 2x



42x + 4x



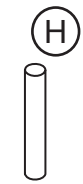
10x + 1x



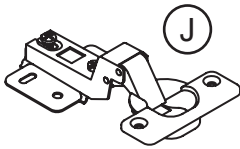
51x + 4x



15x + 1x



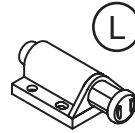
8x



4x



24x + 2x



2x



8x



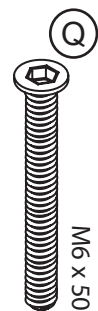
6x



2x



13x + 1x

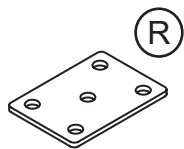


10x + 1x

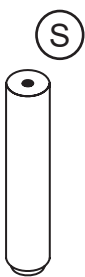


Install all hardware perpendicular to the opening.

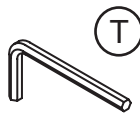
PACKAGE CONTENTS



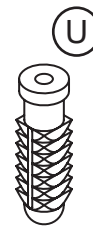
1x



1x



1x



2x



2x



2x

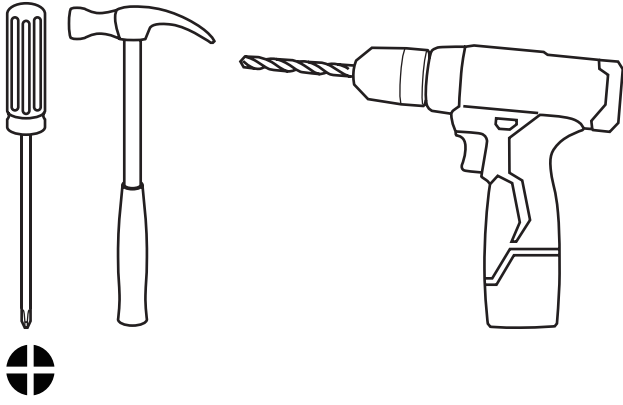


2x



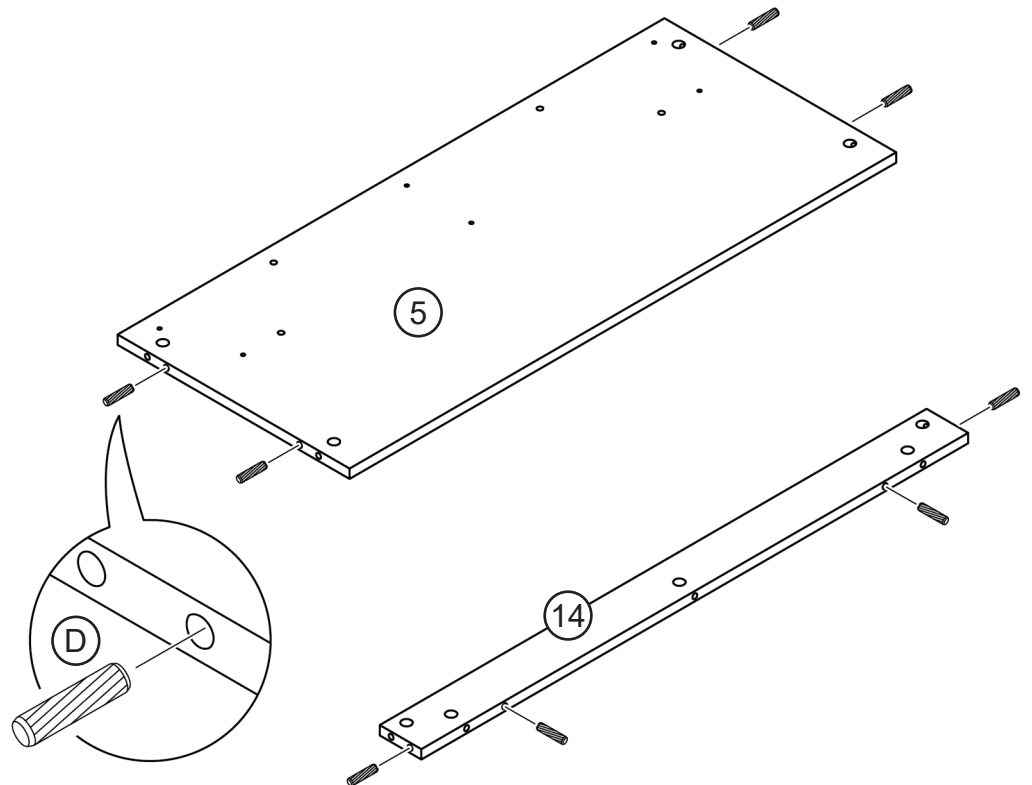
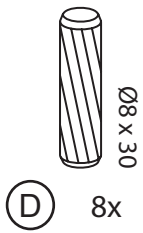
Install all hardware perpendicular to the opening.

Required tools for assembly (Not included)



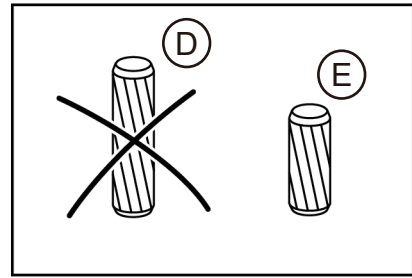
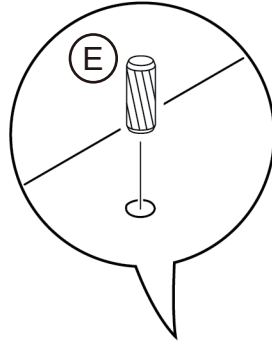
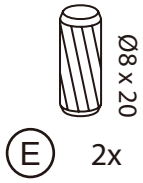
1

Insert wood dowels to the center panel (5) and the center crossbar (14).

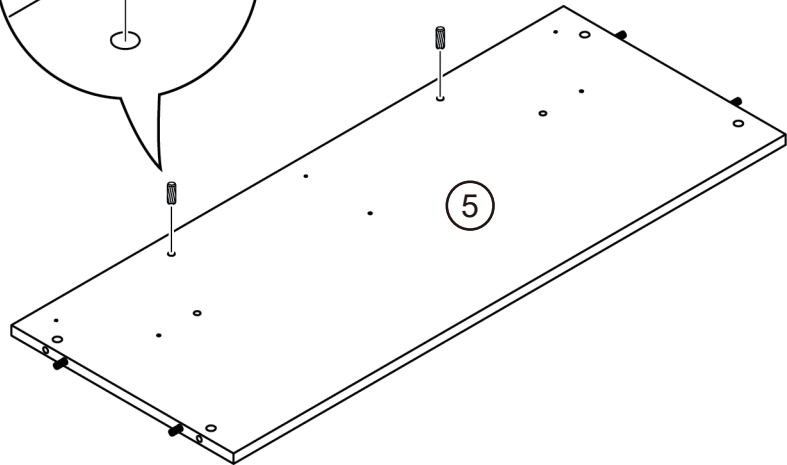


2

Insert short wood dowels to the center panel (5).

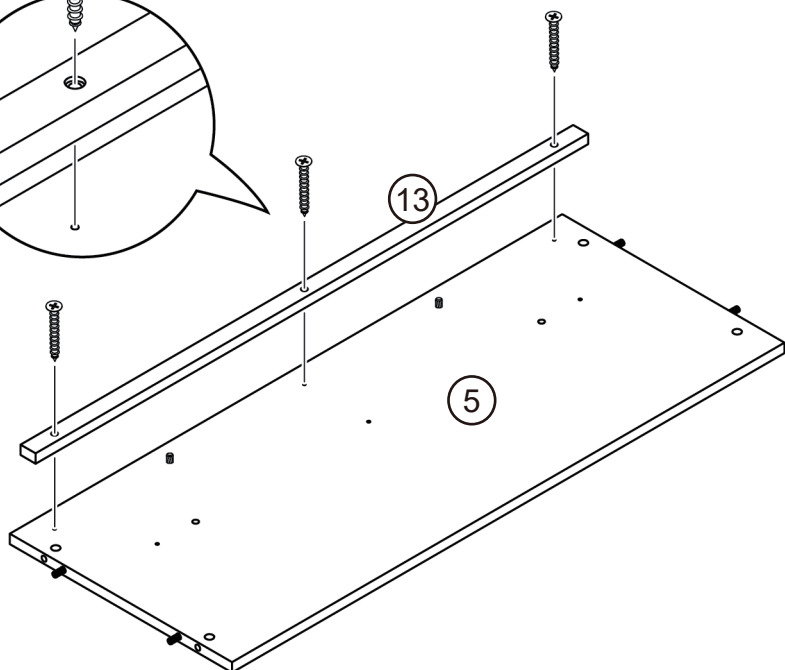
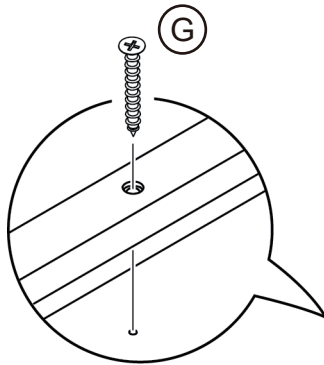


Make sure to use the correct hardware.



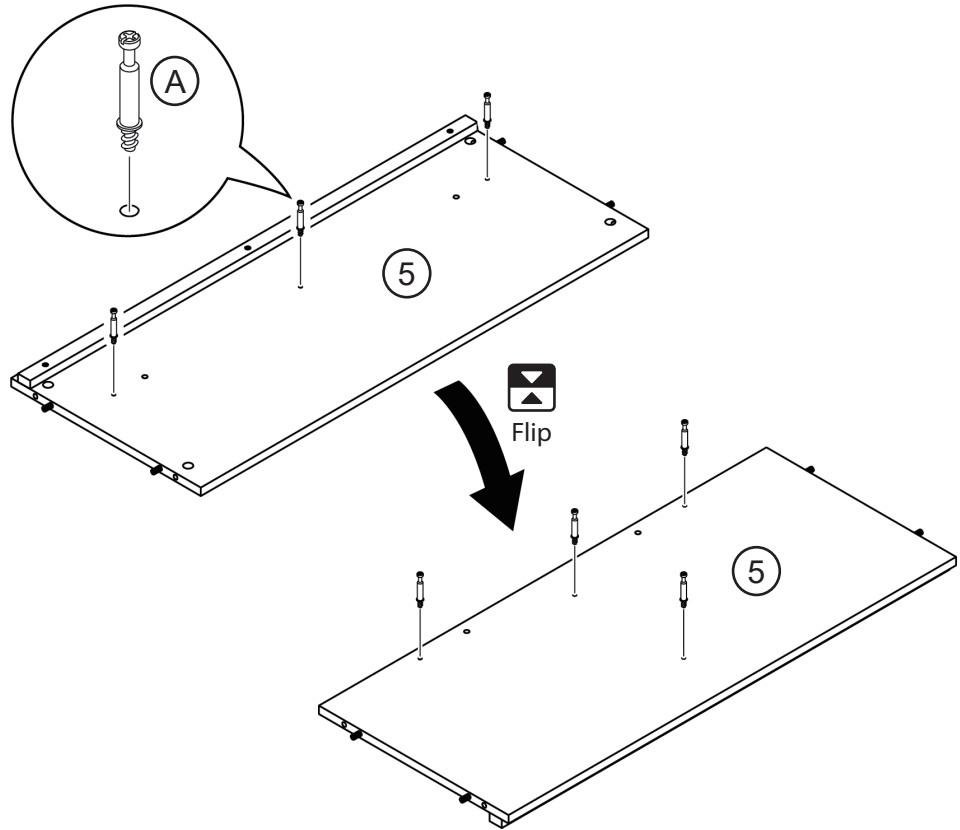
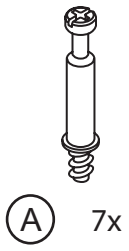
3

Attach top surround panel (13) to the center panel (5).



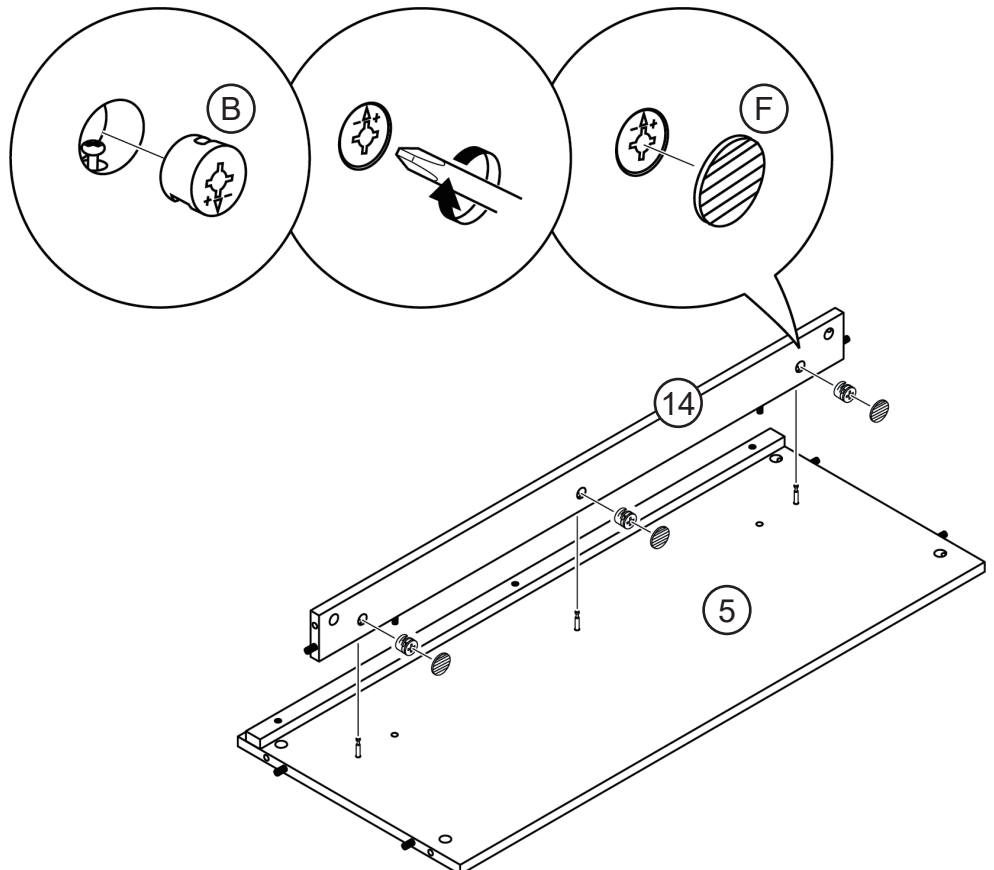
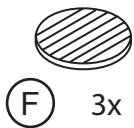
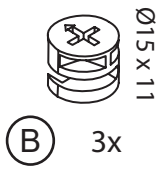
4

Attach cam bolts on both sides of the center panel (5).



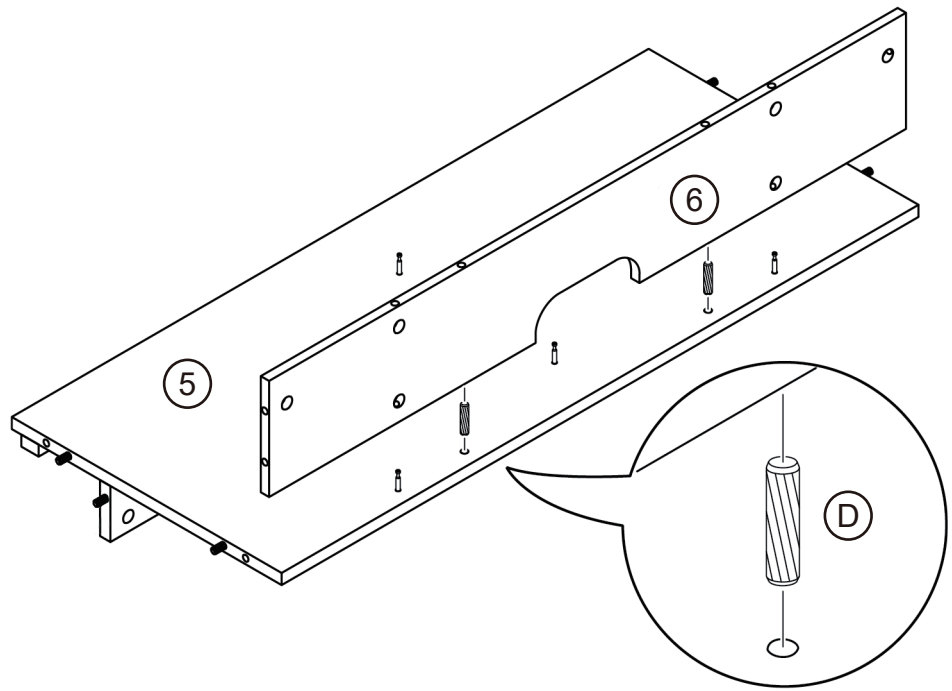
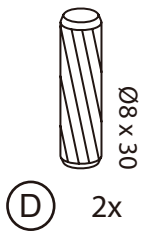
5

Assemble the center crossbar (14) to the center panel (5).



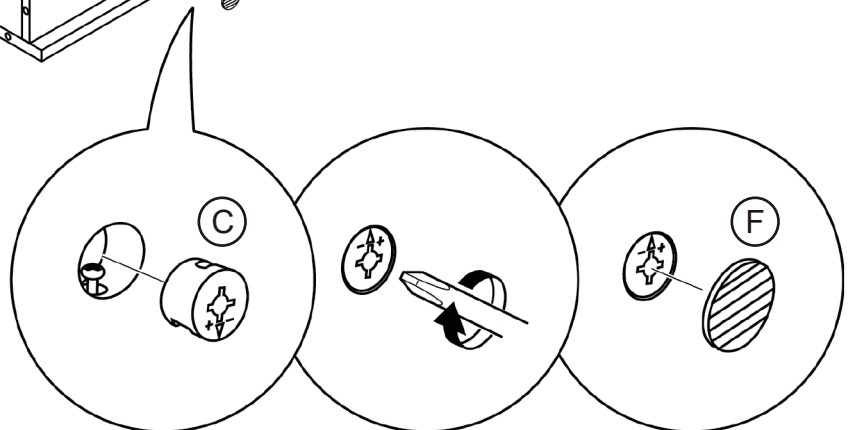
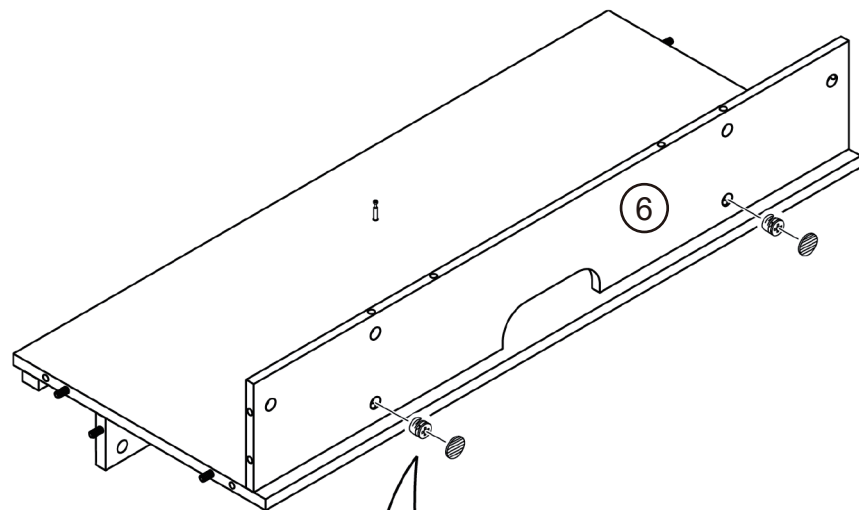
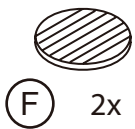
6

Assemble the center back panel (6) to the other side of the center panel (5).



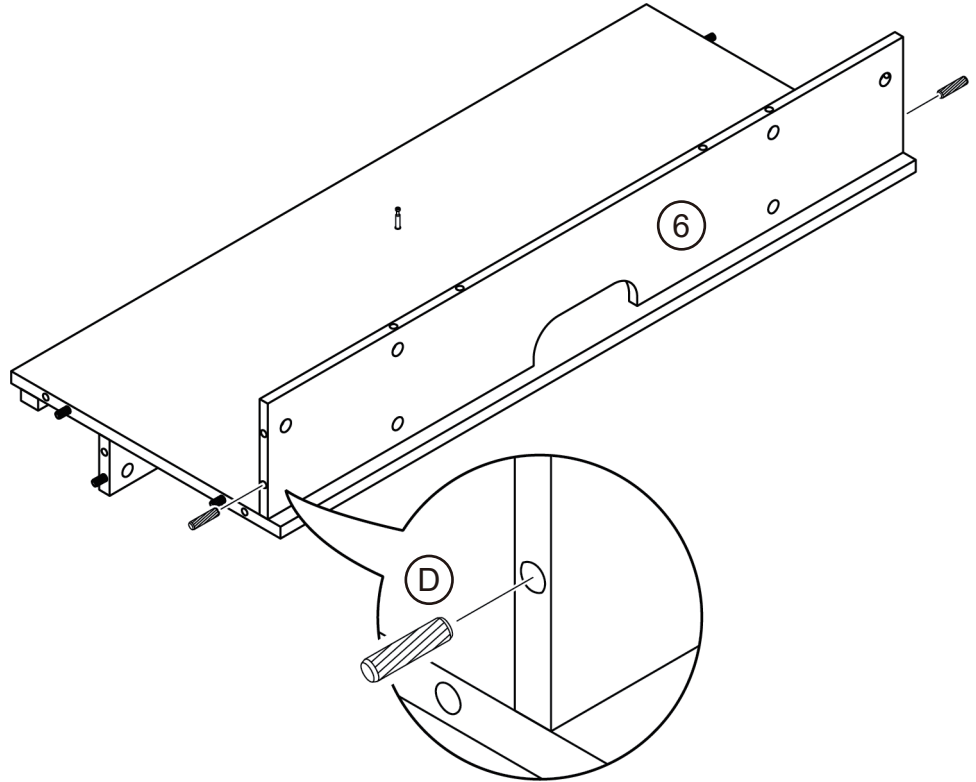
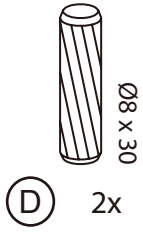
7

Further secure the center back panel (6) in place with cam locks.



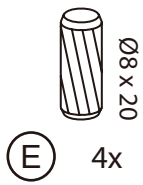
8

Insert wood dowels to the sides of the center back panel (6).

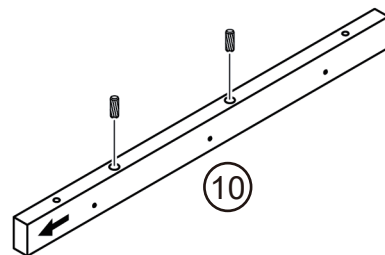
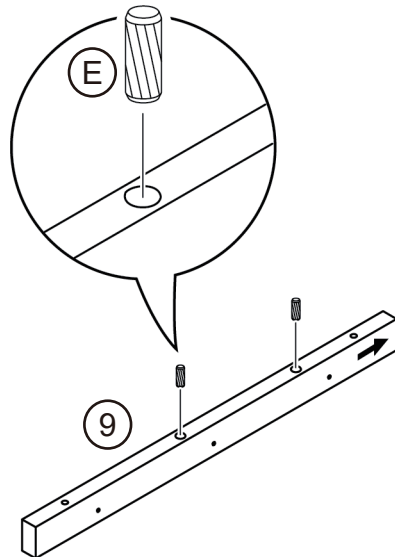
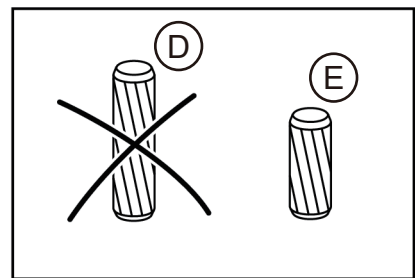


9

Insert short wood dowels to the left and right surround panels (9, 10).



Make sure to use the correct hardware.

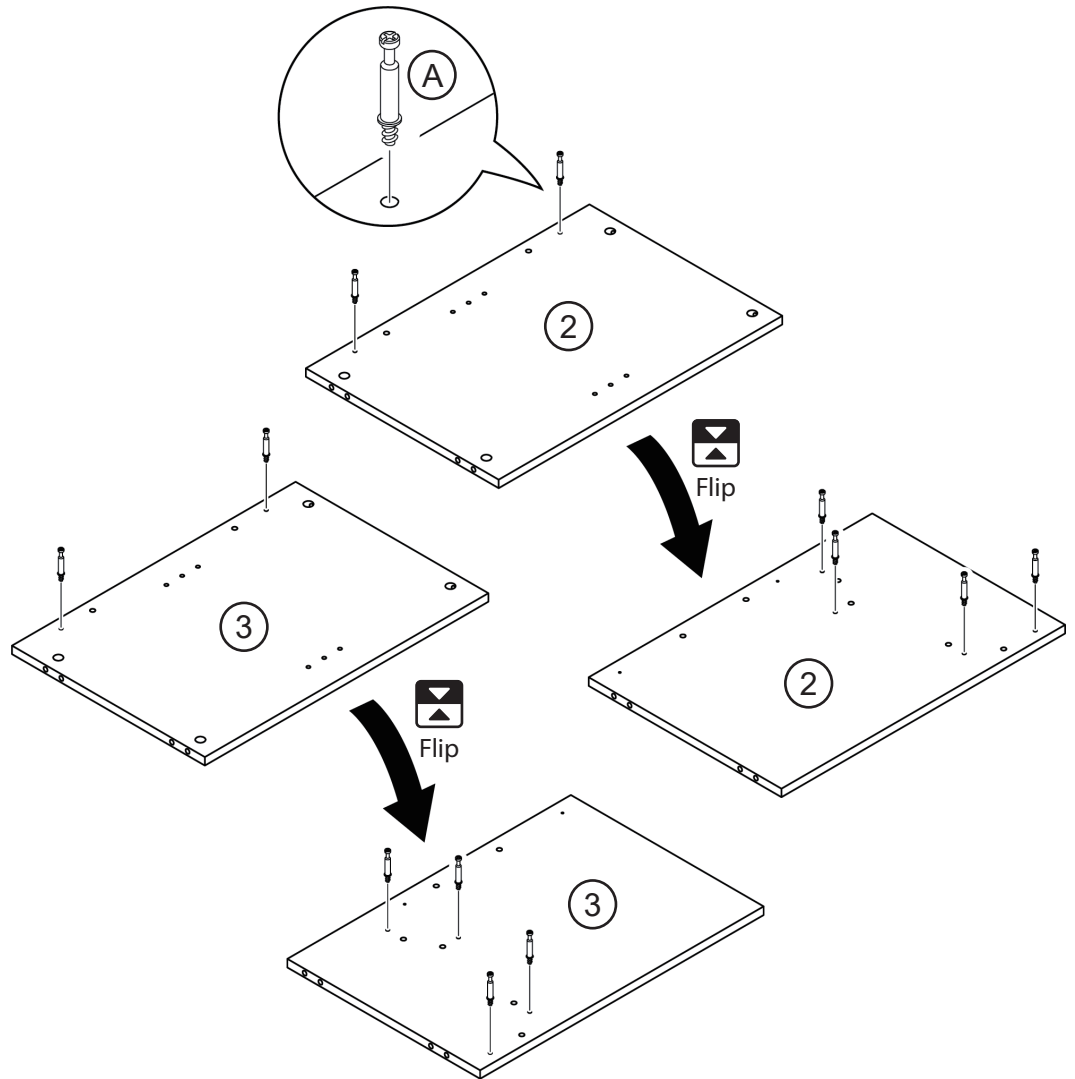


10

Attach cam bolts to both sides of the medial panels (2, 3).

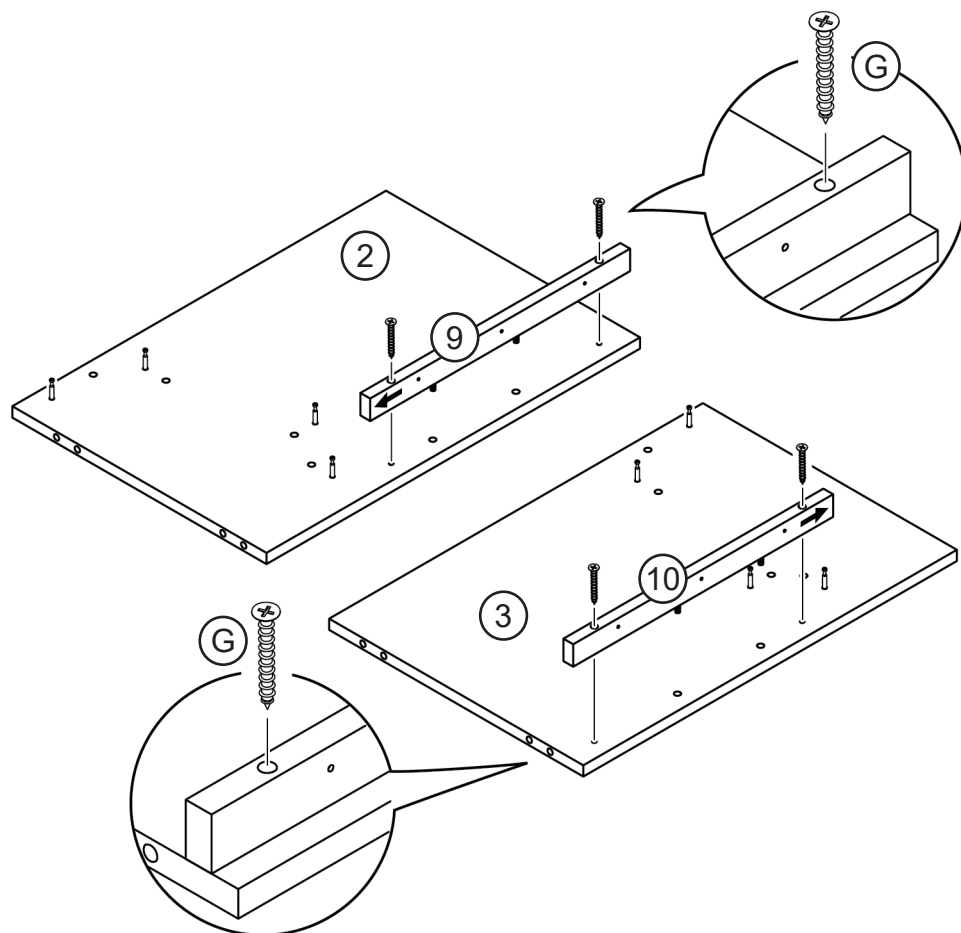
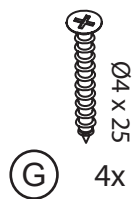


(A) 12x



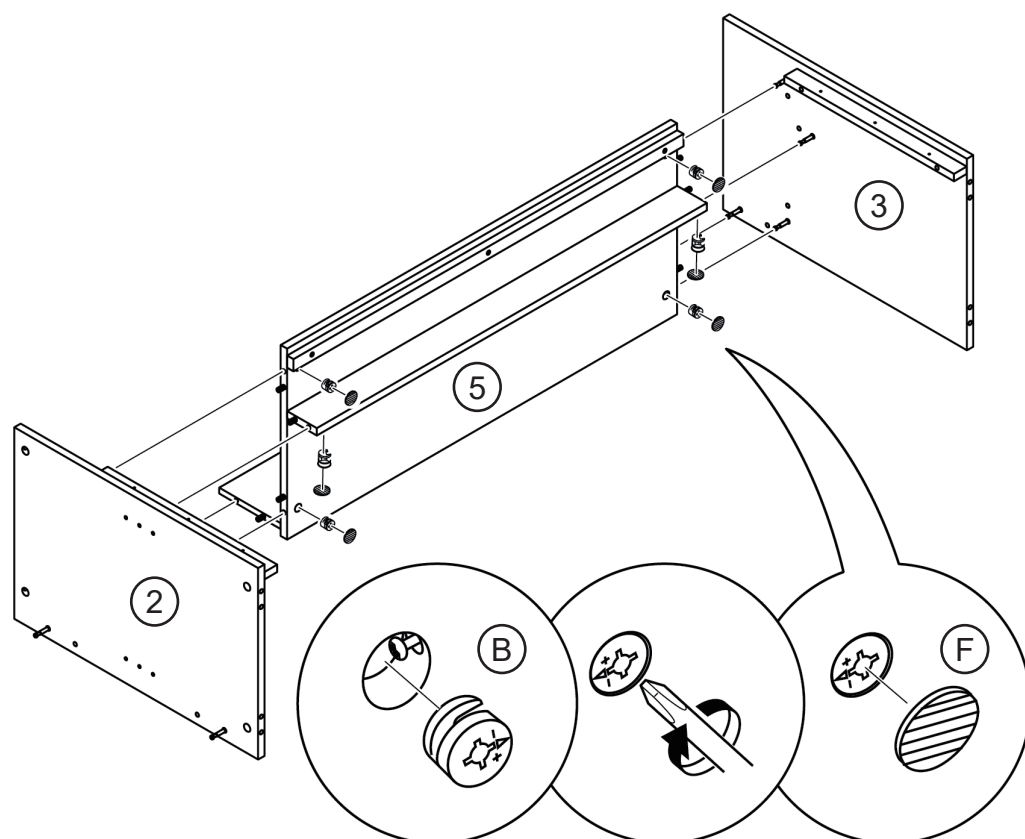
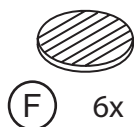
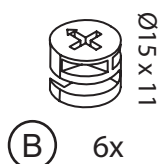
11

Assemble the left surround panel (9) to the left medial panel (2), and then assemble the right surround panel (10) to the right medial panel (3).



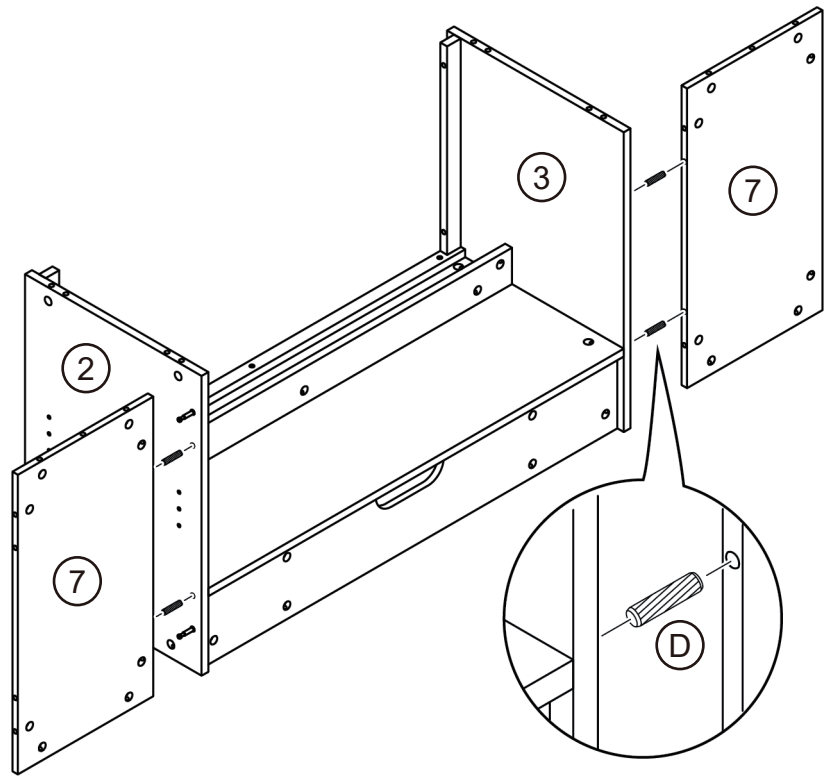
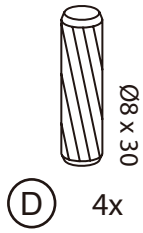
12

Assemble the center panel (5) between the two medial panels (2, 3).



13

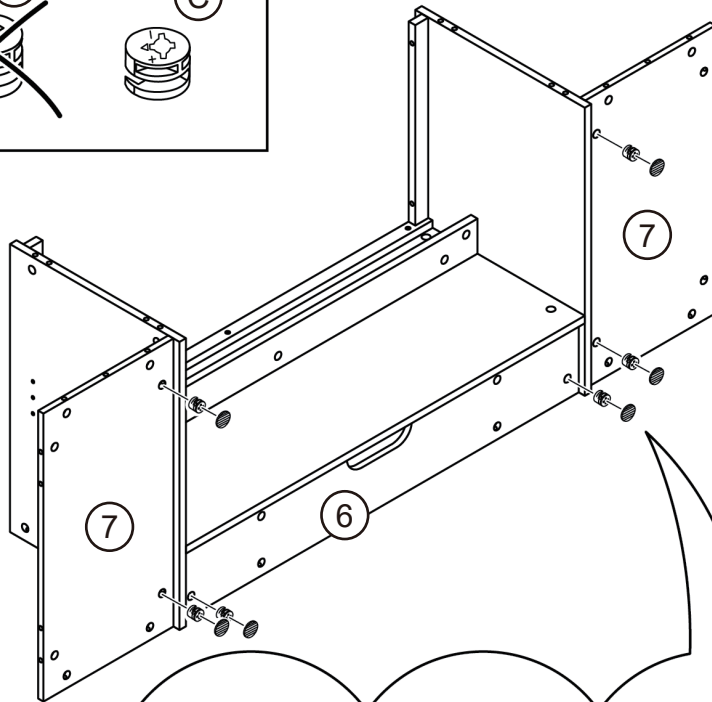
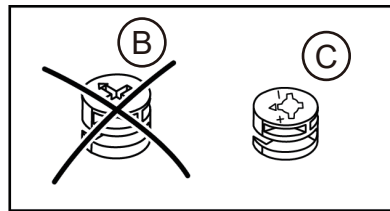
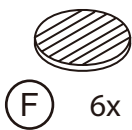
Assemble side back panels (7) to the outside of the medial panels (2, 3).



14

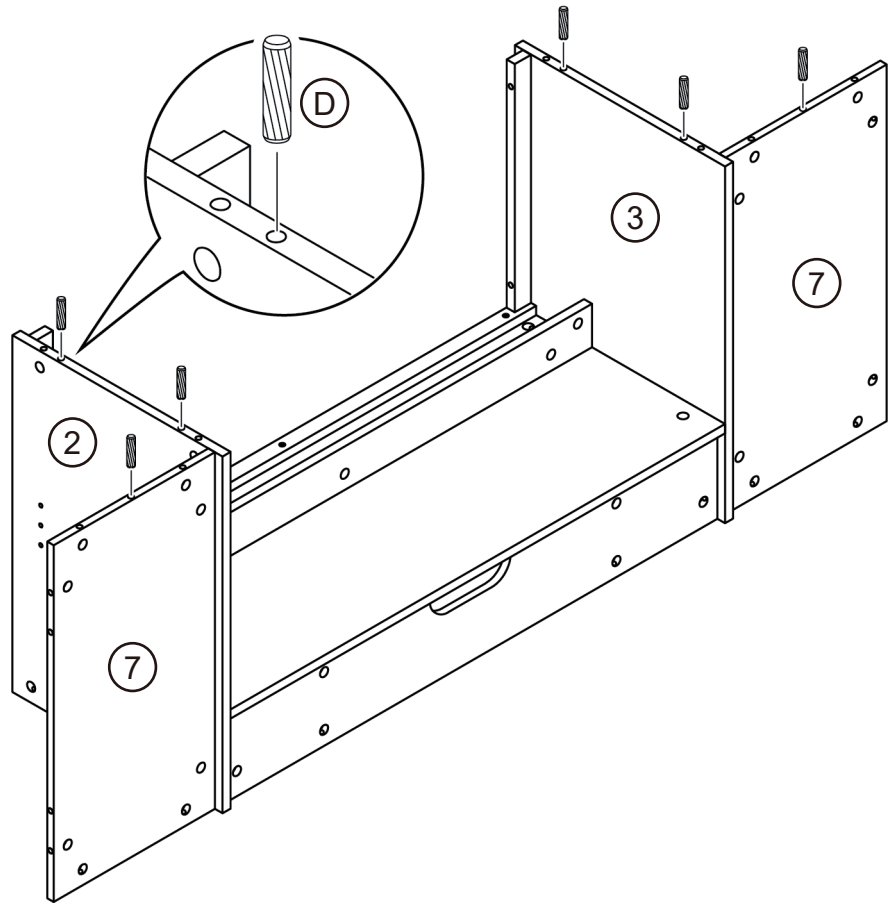
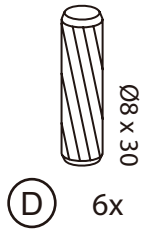
Further secure the side back panels (7) and center back panel (6) to the medial panels.

Make sure to use the correct hardware.



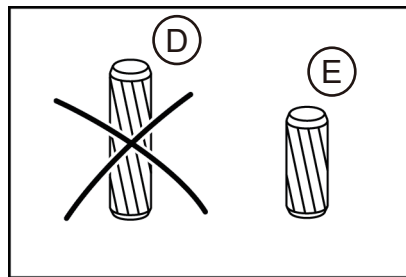
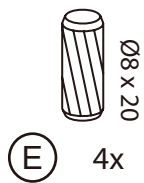
15

Insert wood dowels to the medial panels (2, 3) and side back panels (7).

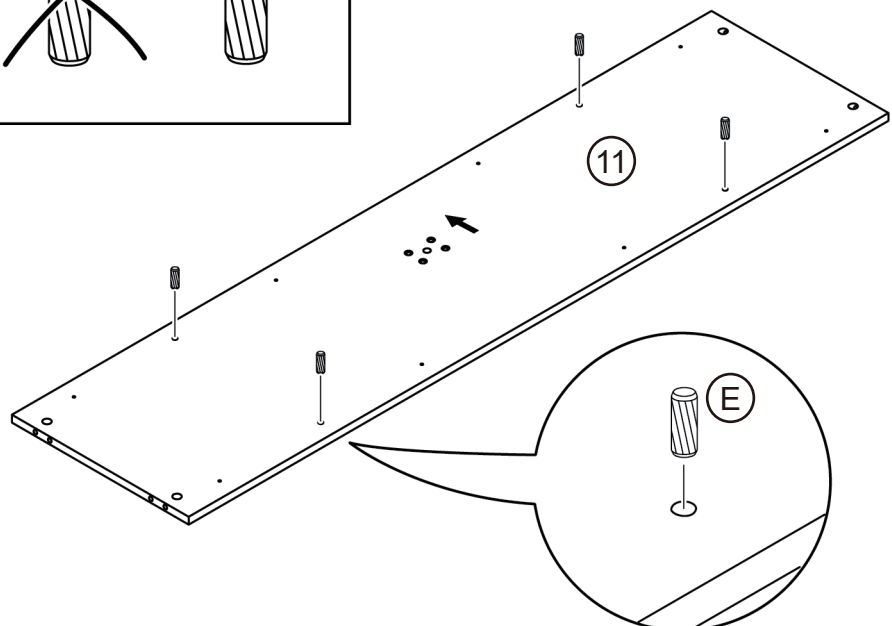


16

Insert short wood dowels to the bottom panel (11).

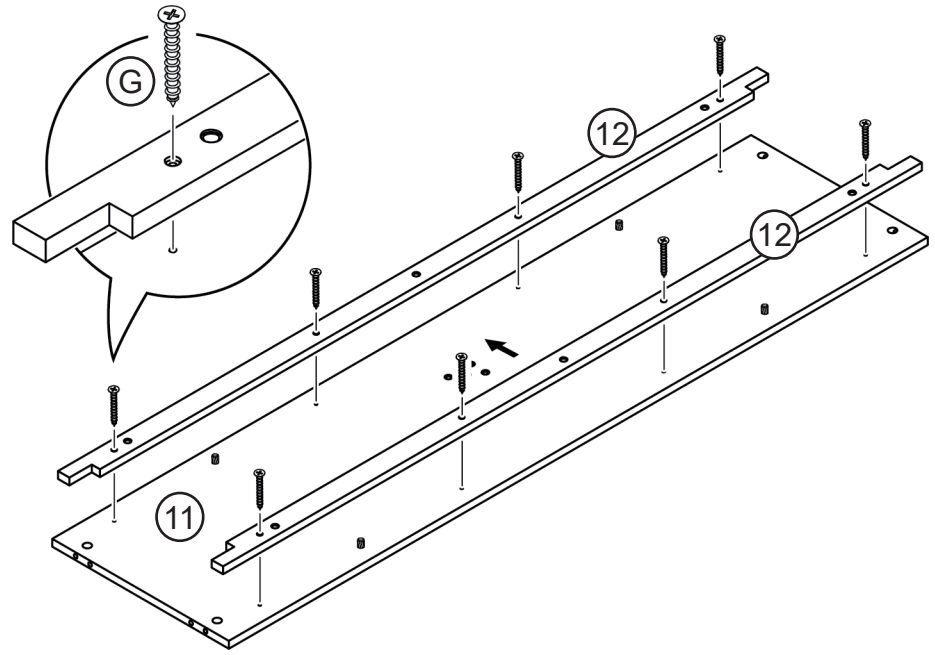


Make sure to use the correct hardware.



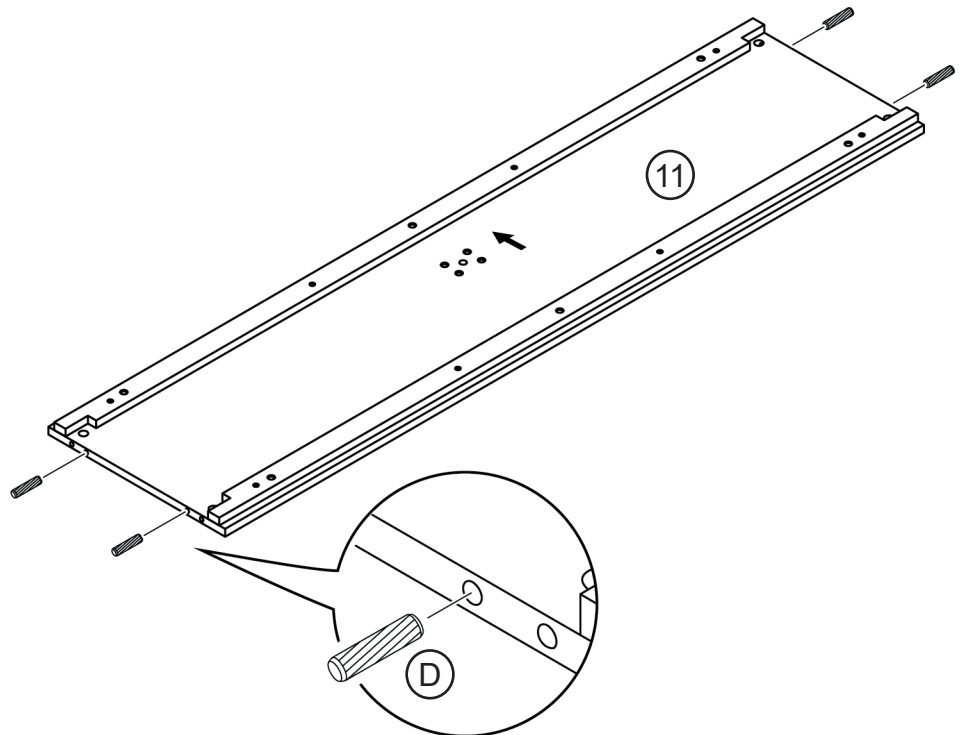
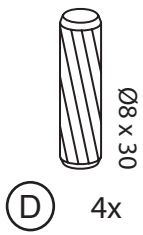
17

Assemble bottom crossbars (12) to the bottom panel (2).



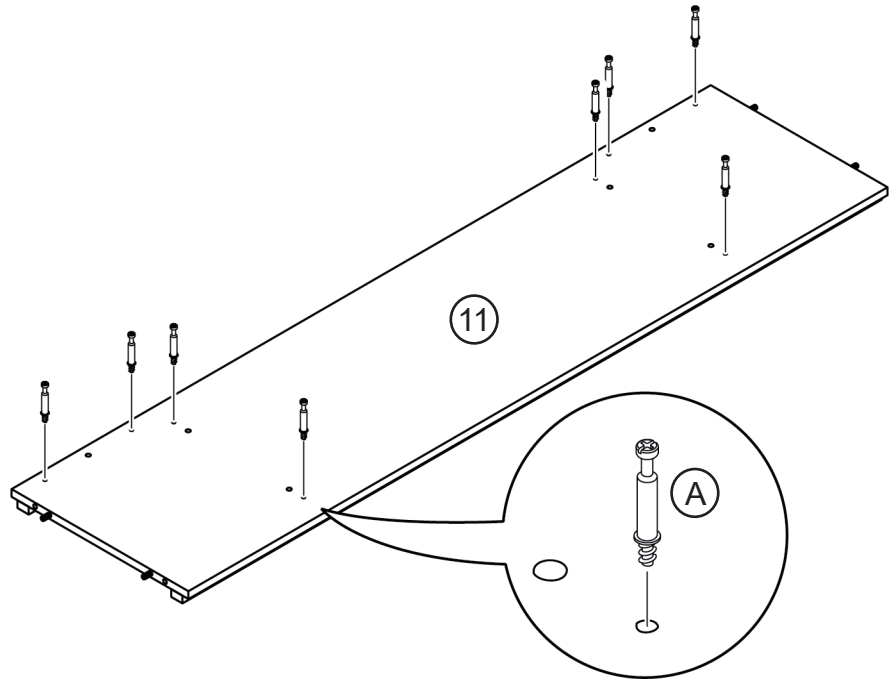
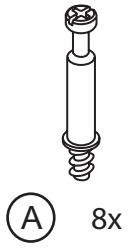
18

Insert wood dowels to the bottom panel (11).



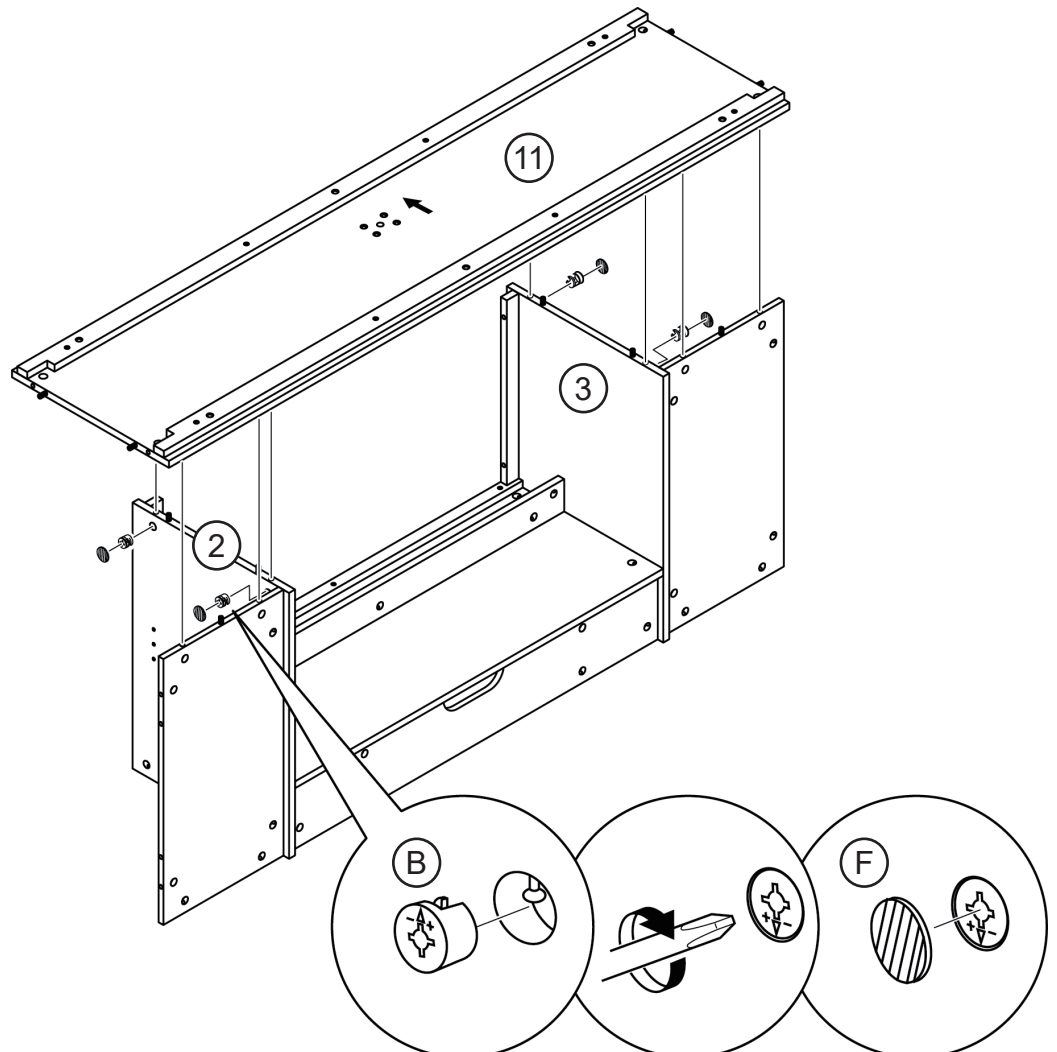
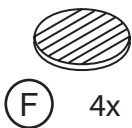
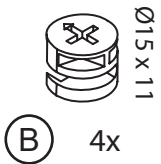
19

Attach cam bolts to the top side of the bottom panel (11).



20

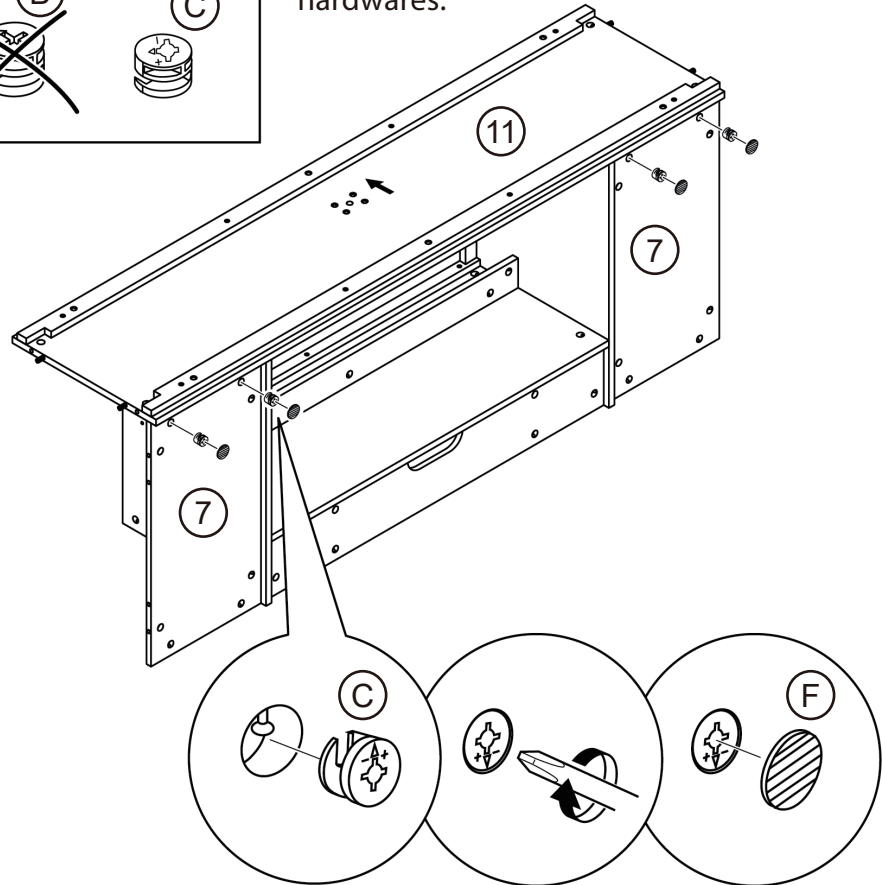
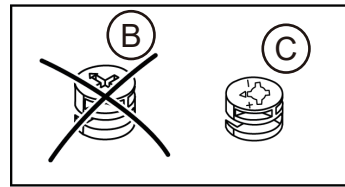
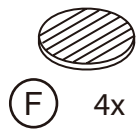
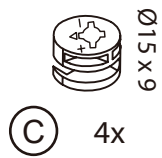
Assemble the bottom panel (11) to the medial panels (2, 3).



21

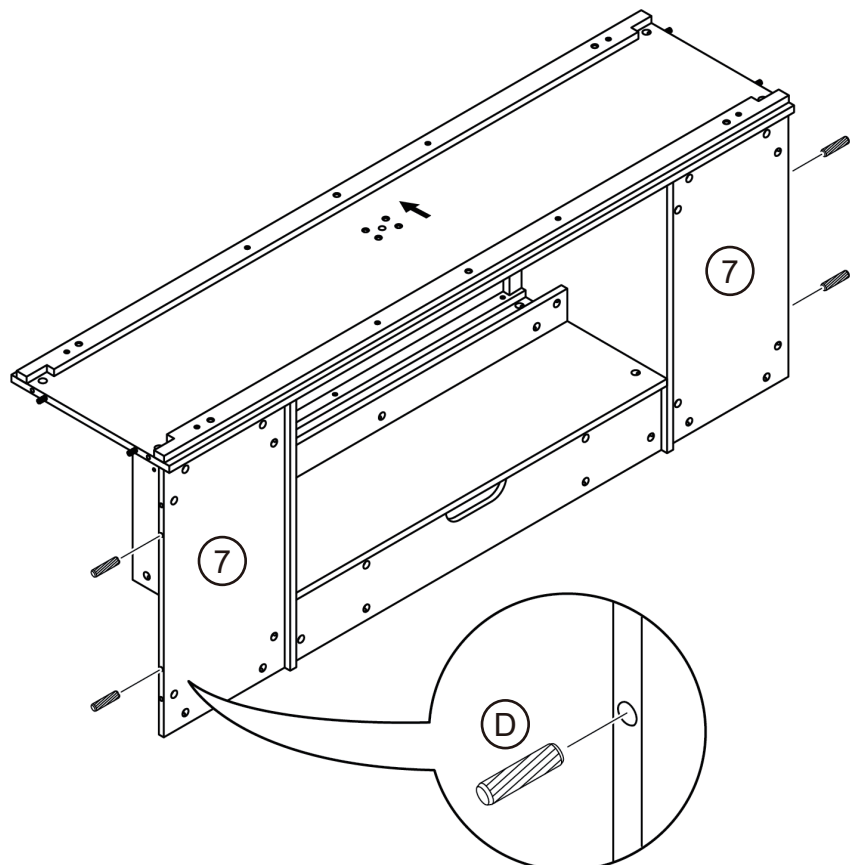
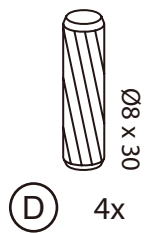
Further secure the side back panels (7) to the bottom panel (11).

Make sure to use the correct hardware.



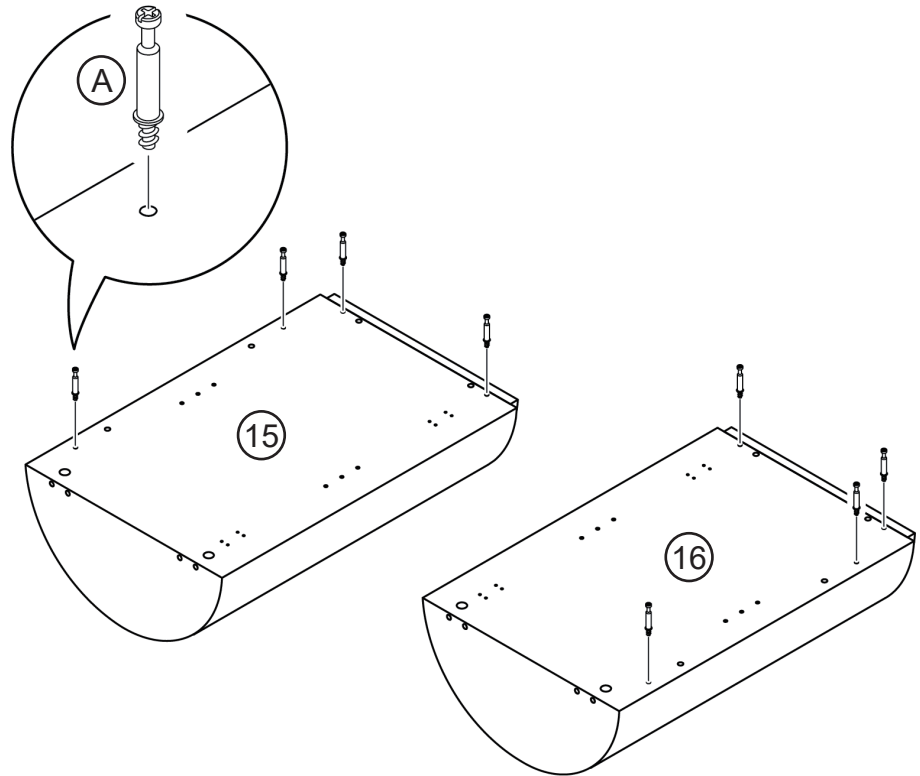
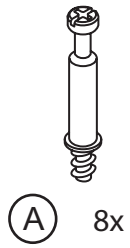
22

Insert wood dowels to the side back panels (7).



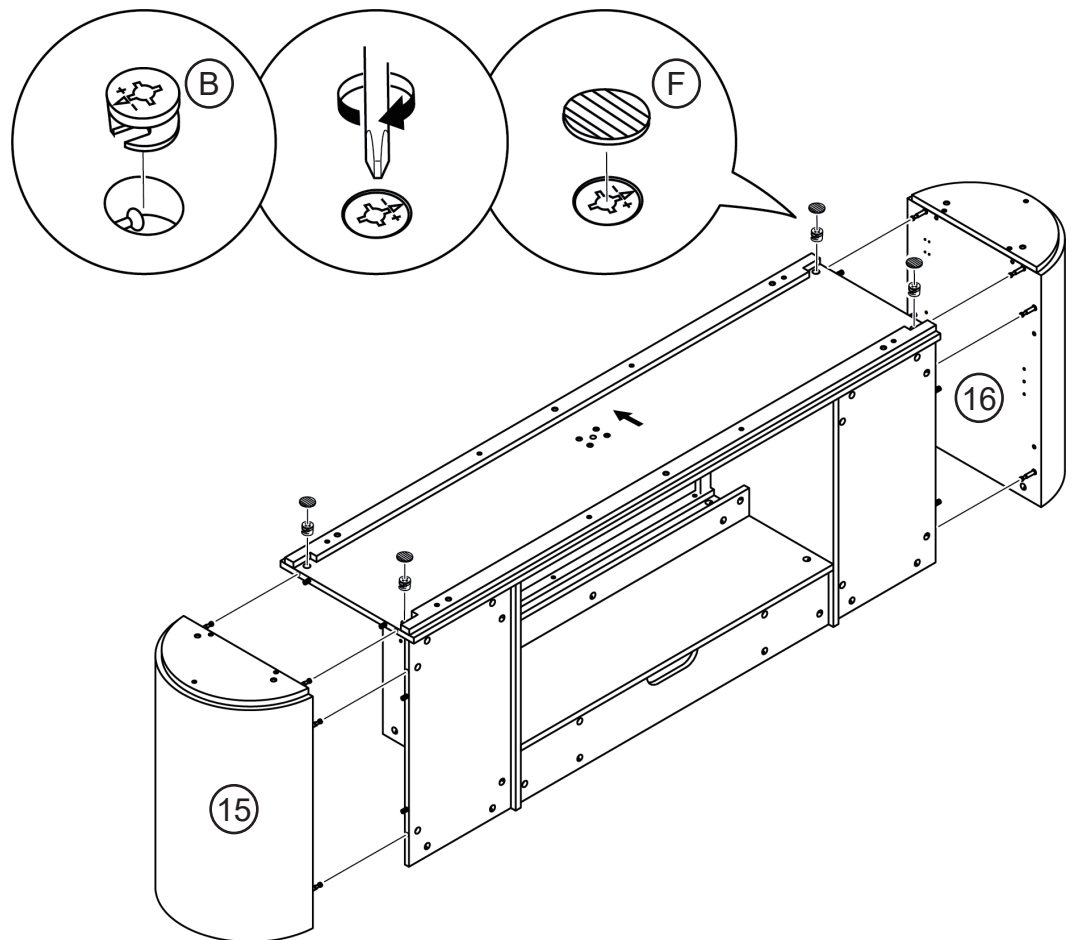
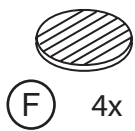
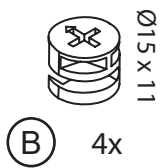
23

Attach cam bolts to the semicylinder blocks (15, 16).



24

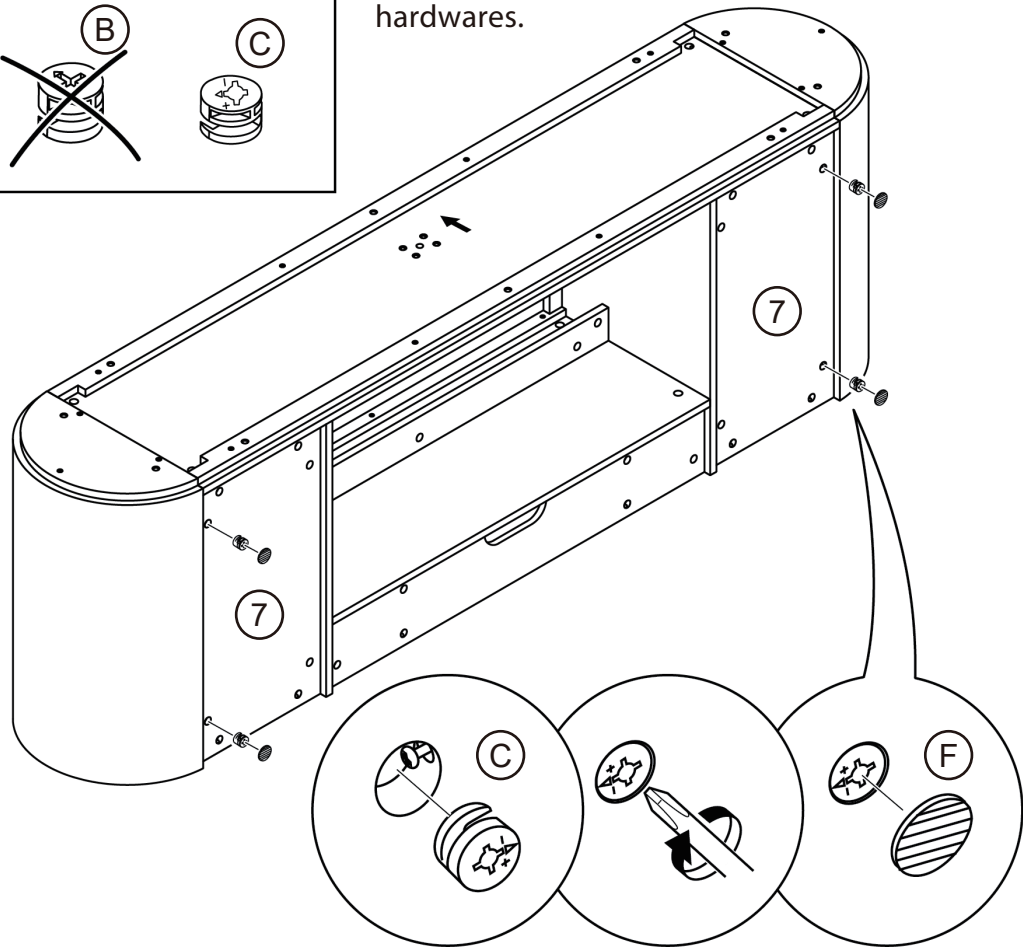
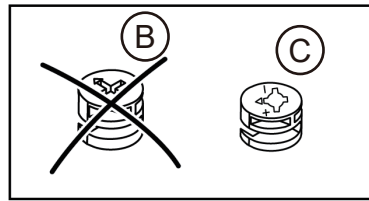
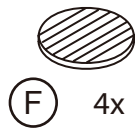
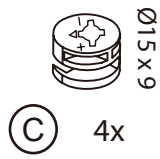
Assemble the semicylinder blocks (15, 16) to the side of the TV stand assembly.



25

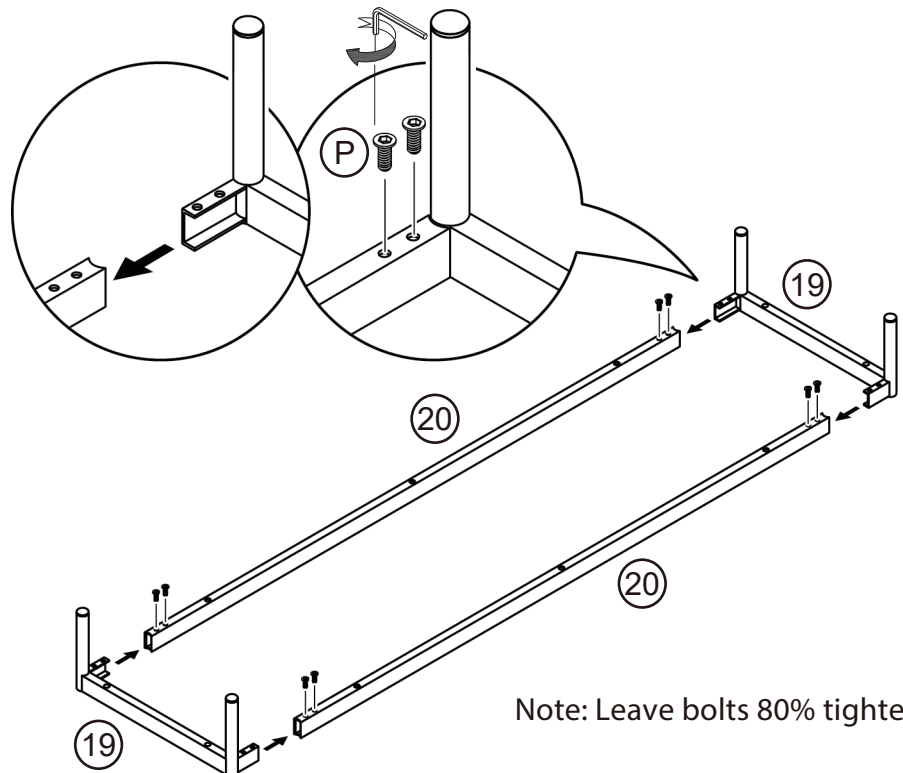
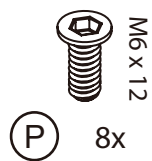
Secure the side back panels (7) to the semicylinder blocks.

Make sure to use the correct hardware.



26

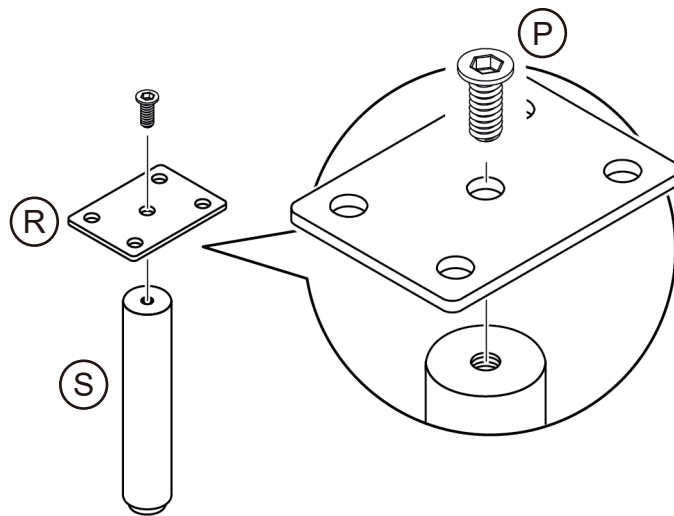
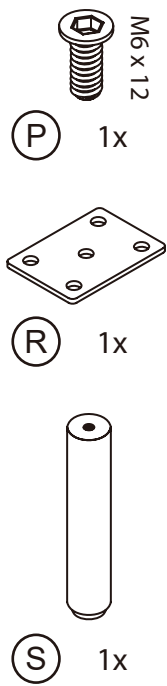
Insert legs (19) into the base crossbars (20).



Note: Leave bolts 80% tightened.

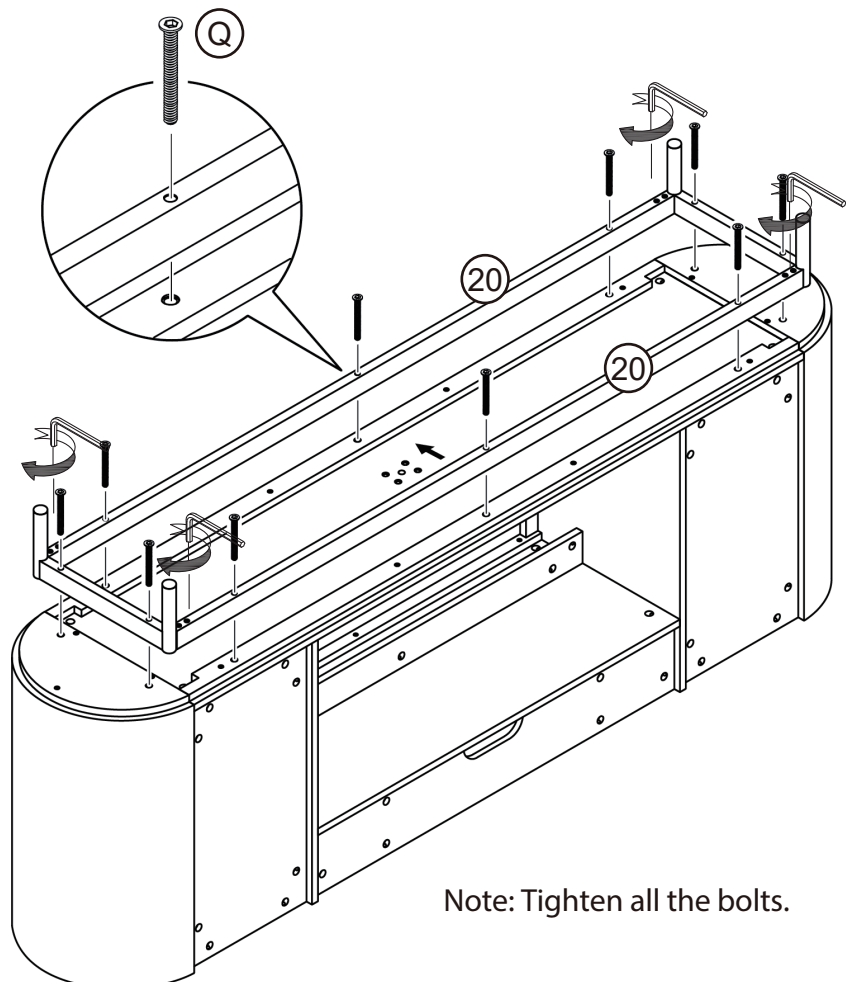
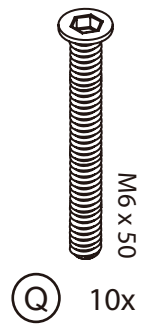
27

Assemble the support leg.



28

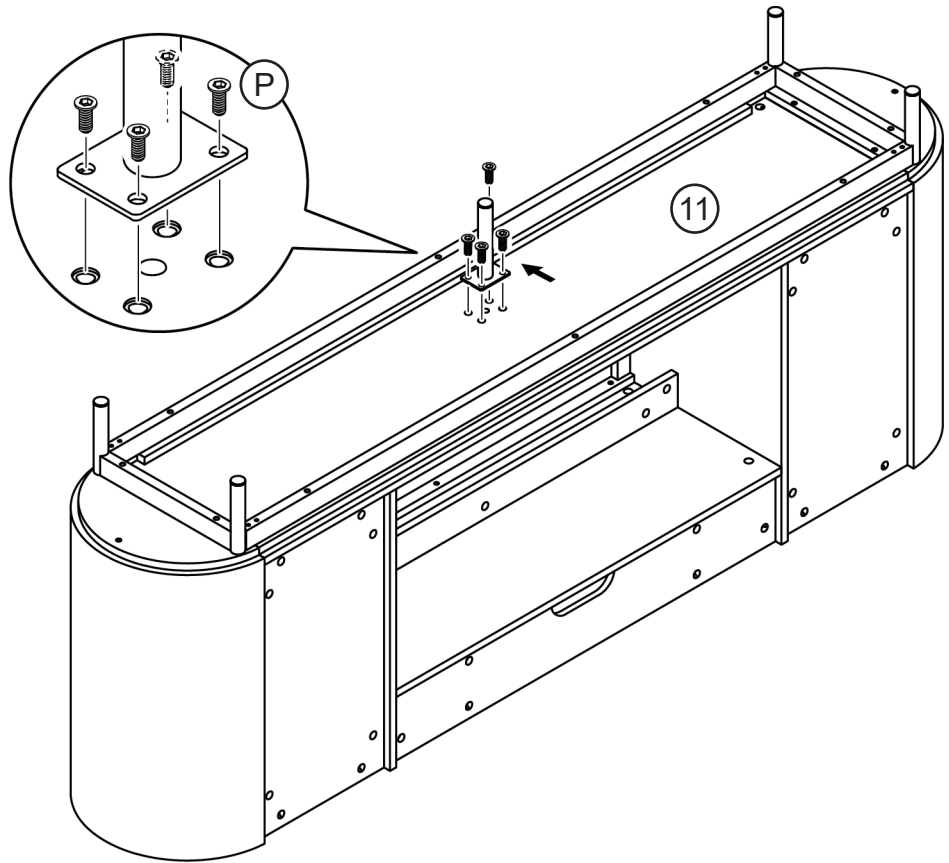
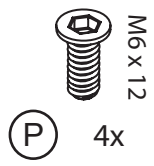
Assemble the base to the TV stand assembly.



Note: Tighten all the bolts.

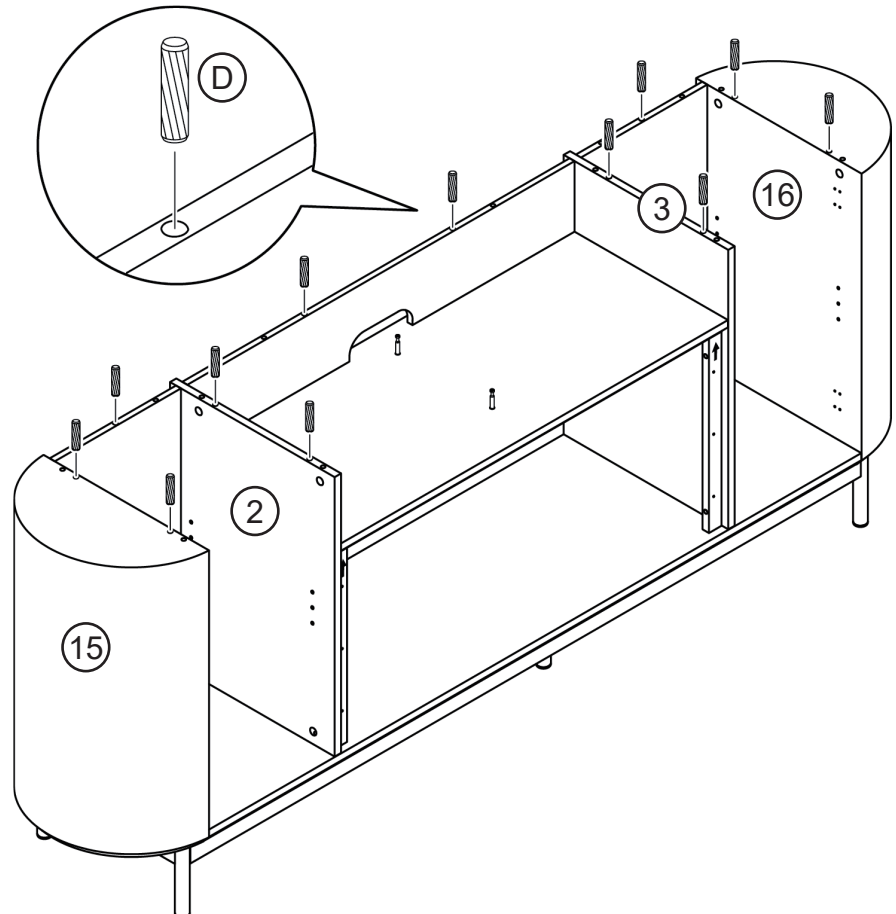
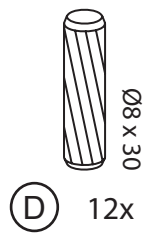
29

Attach the support leg to the bottom panel (11).



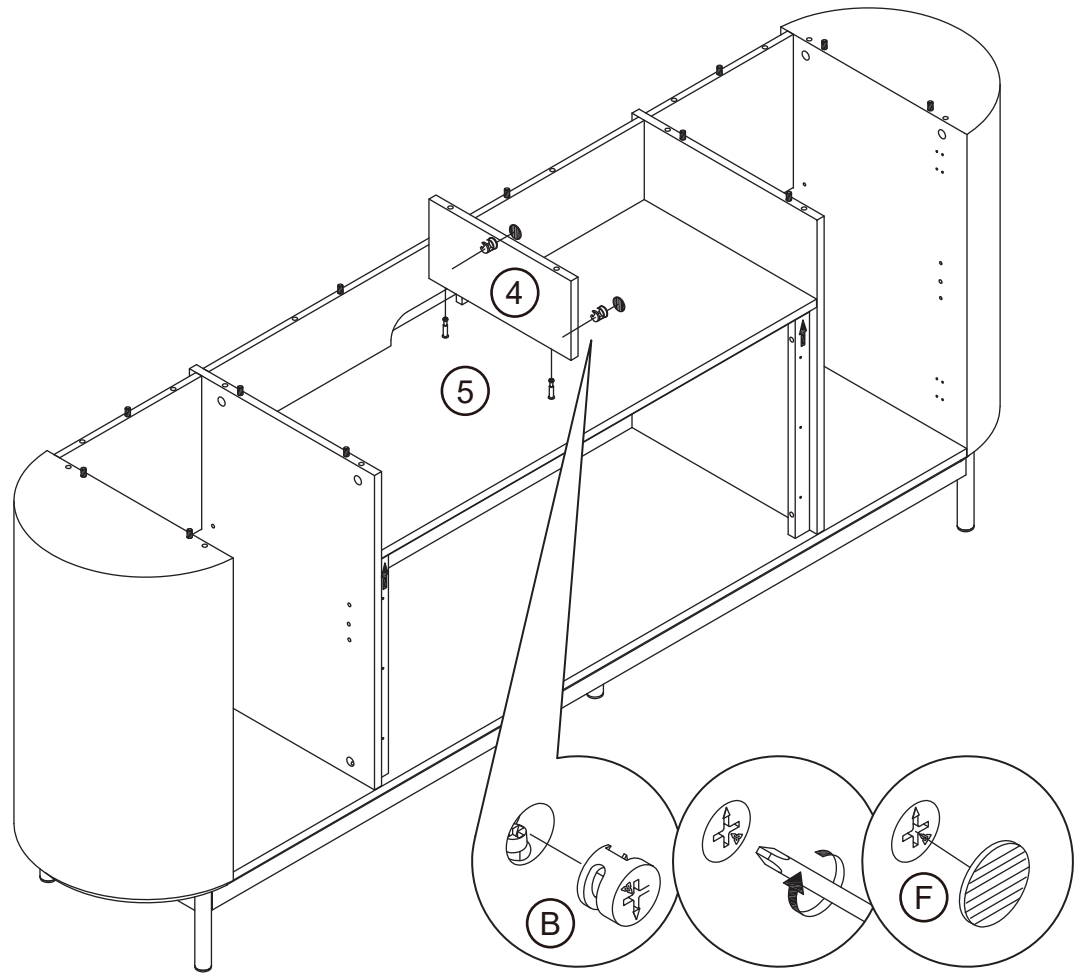
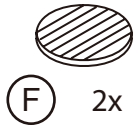
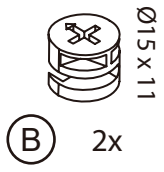
30

Insert wood dowels to the TV stand assembly.



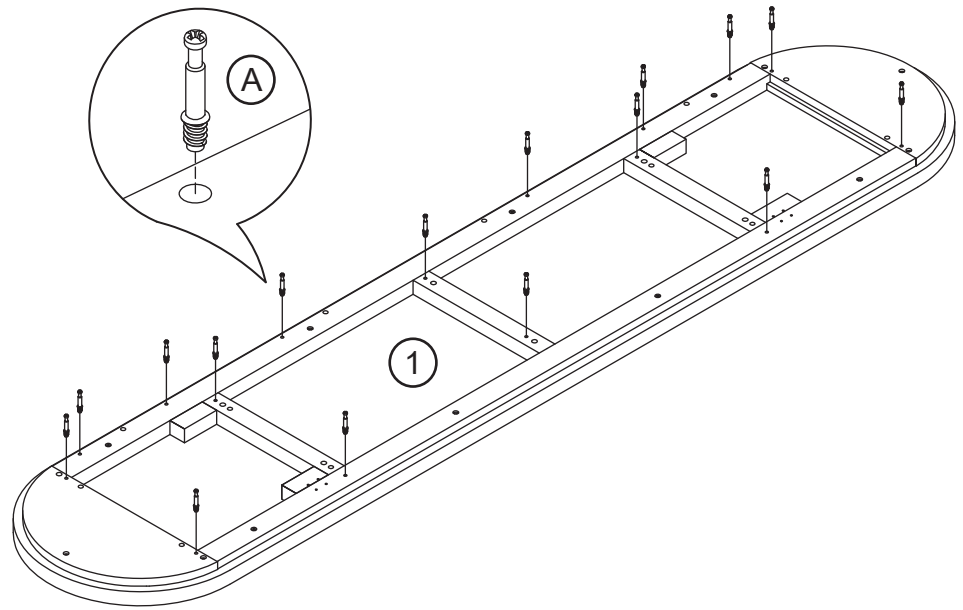
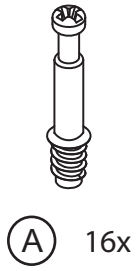
31

Assemble the top division panel (4) on top of the center panel (5).



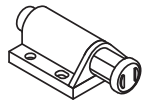
32

Attach cam bolts to the top panel (1).



33

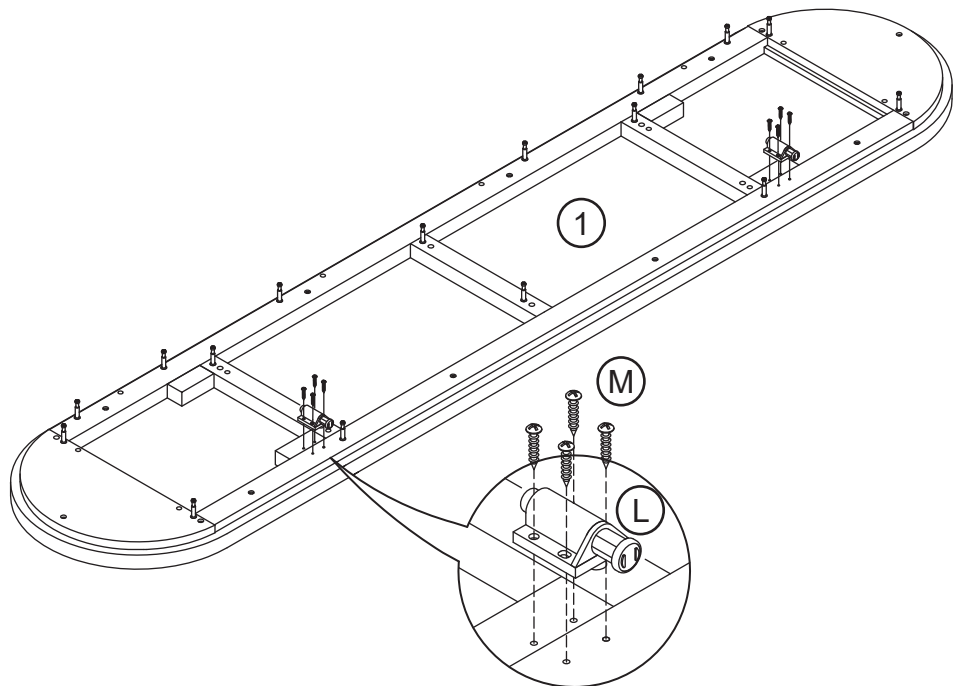
Attach magnetic push latch to the top panel (1).



(L) 2x



(M) 8x



34

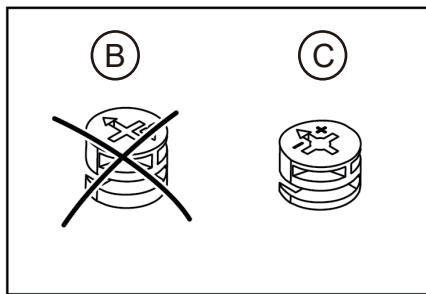
Assemble the top panel (1) on top of the TV stand assembly.



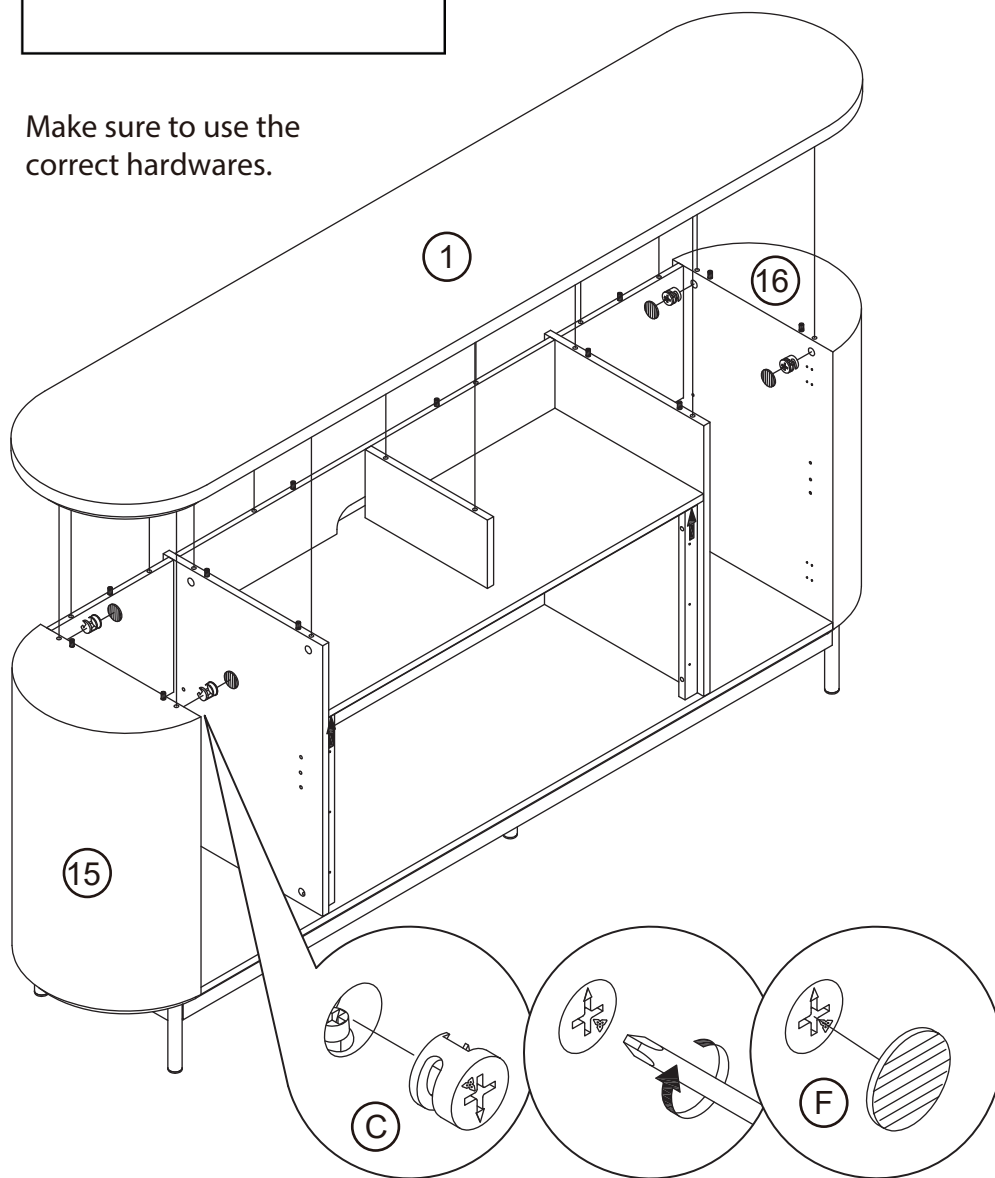
(C) 4x



(F) 4x

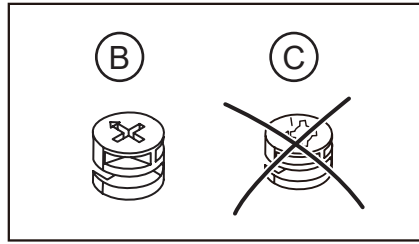


Make sure to use the correct hardware.



35

Assemble the top panel (1) on top of the TV stand assembly.

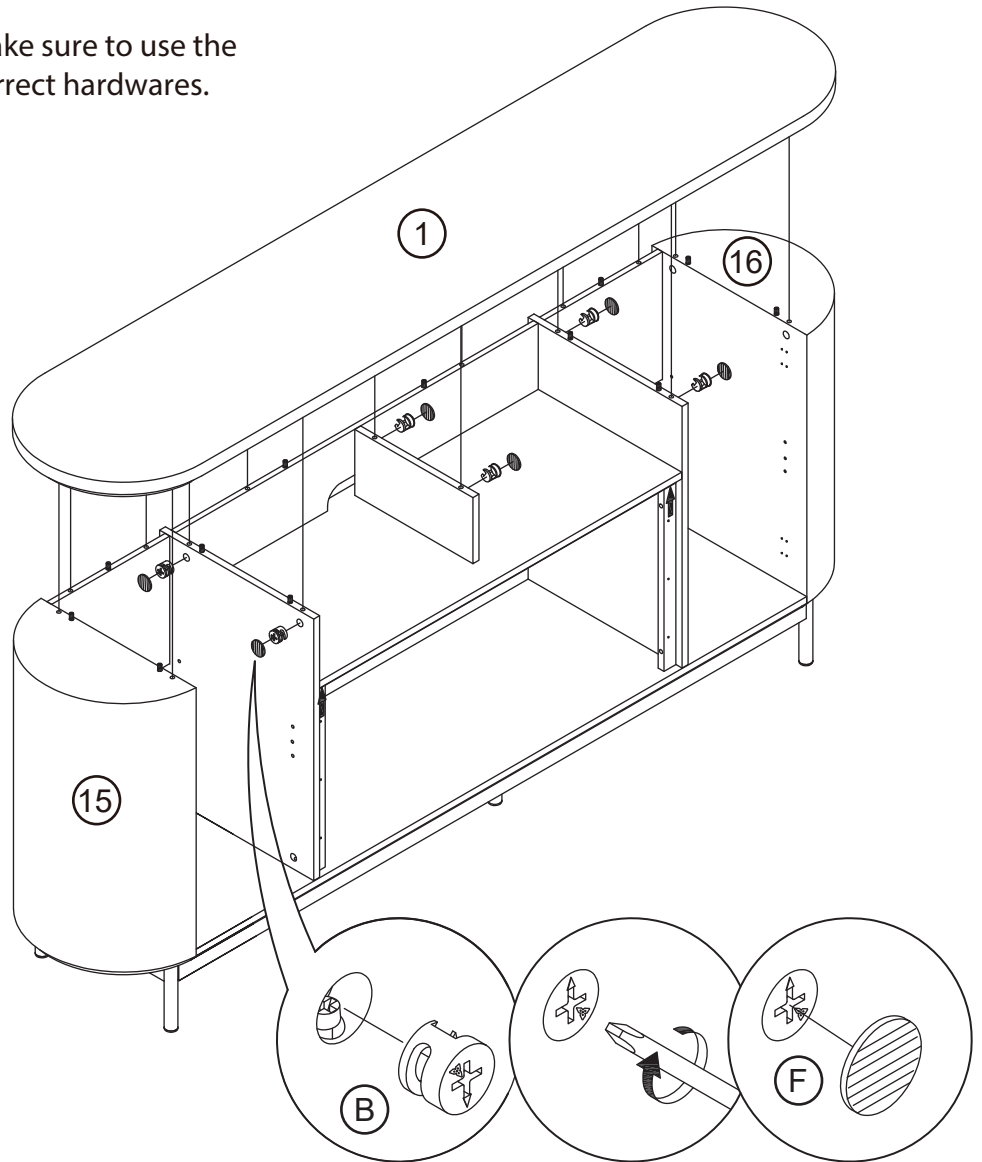


(B) 6x



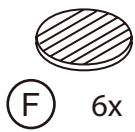
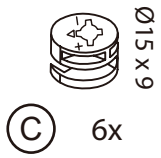
(F) 6x

Make sure to use the correct hardware.

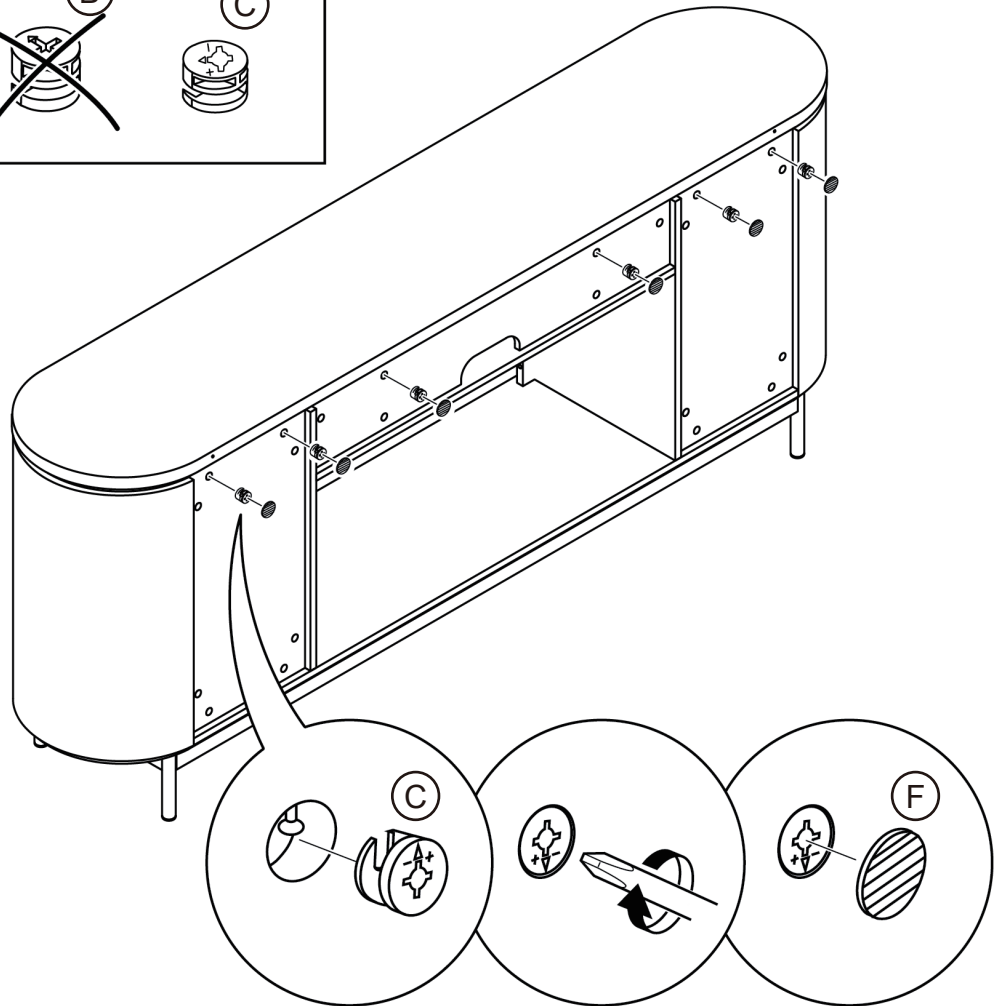
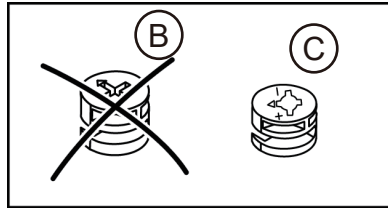


36

Secure all the back panels to the top panel.

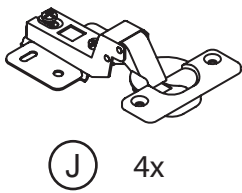


Make sure to use the correct hardware.



37

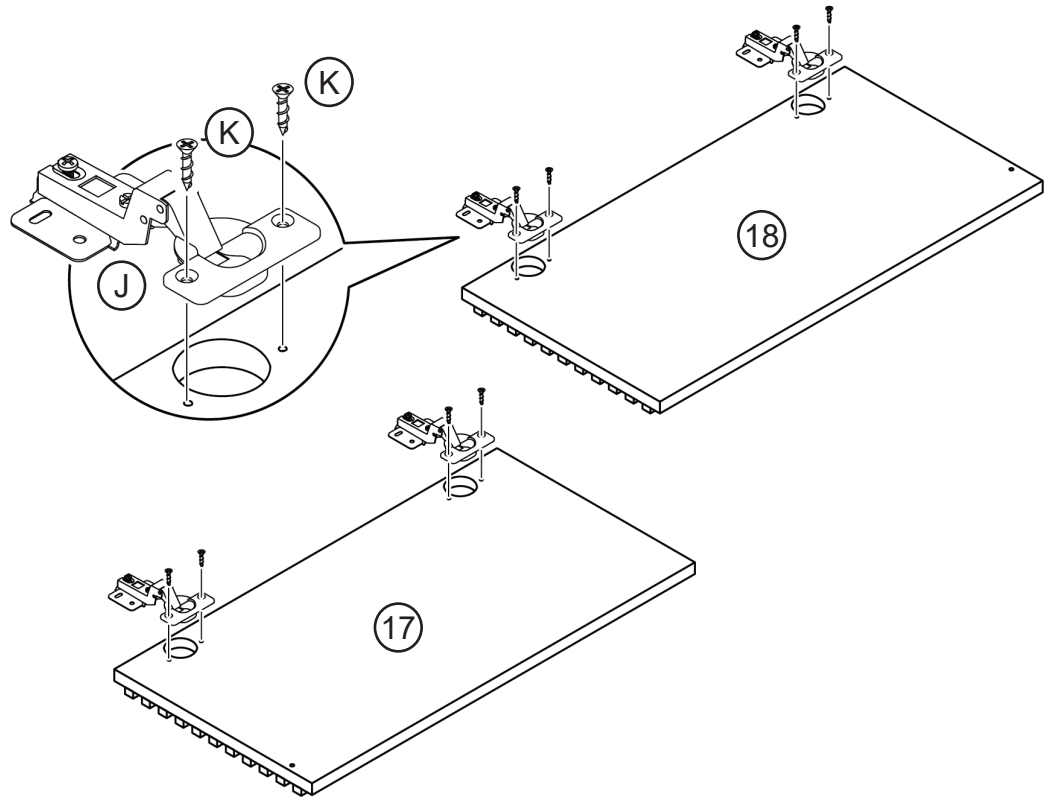
Attach door hinges to the cabinet doors (17, 18).



(J) 4x

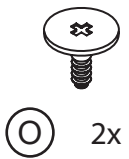


(K) 8x
Ø3.5 x 14

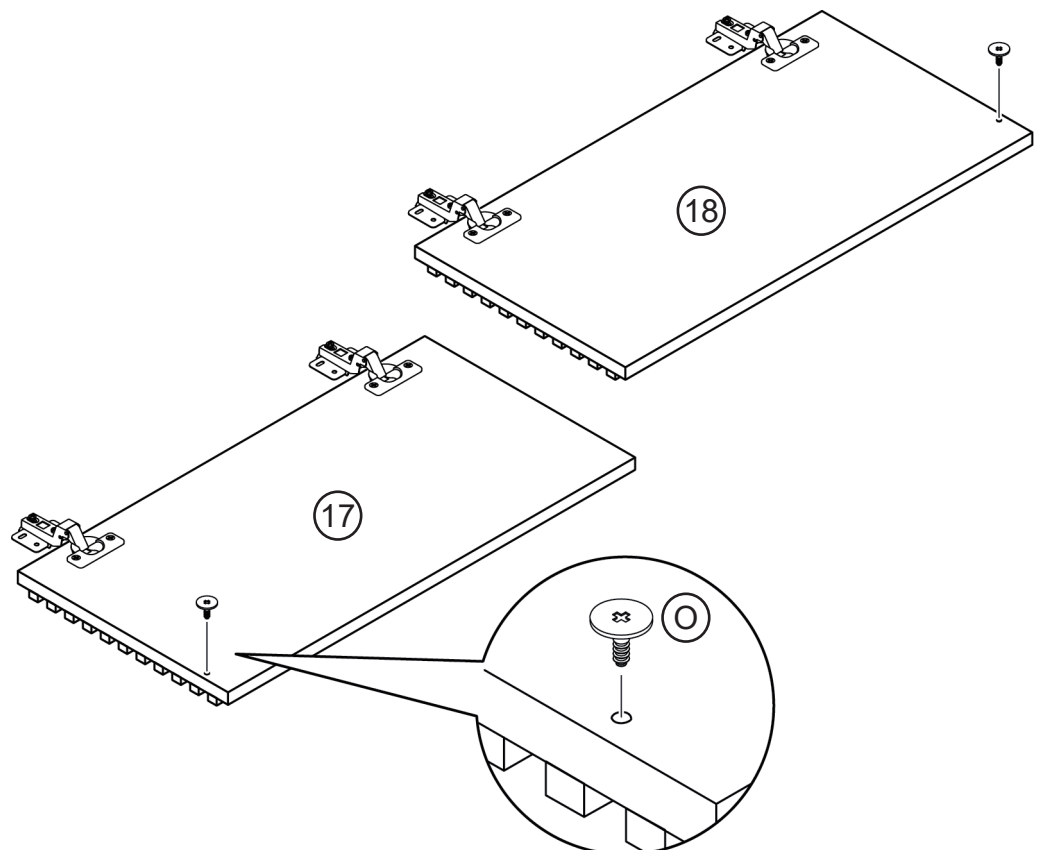


38

Attach magnetic catch plate to the cabinet doors (17, 18).

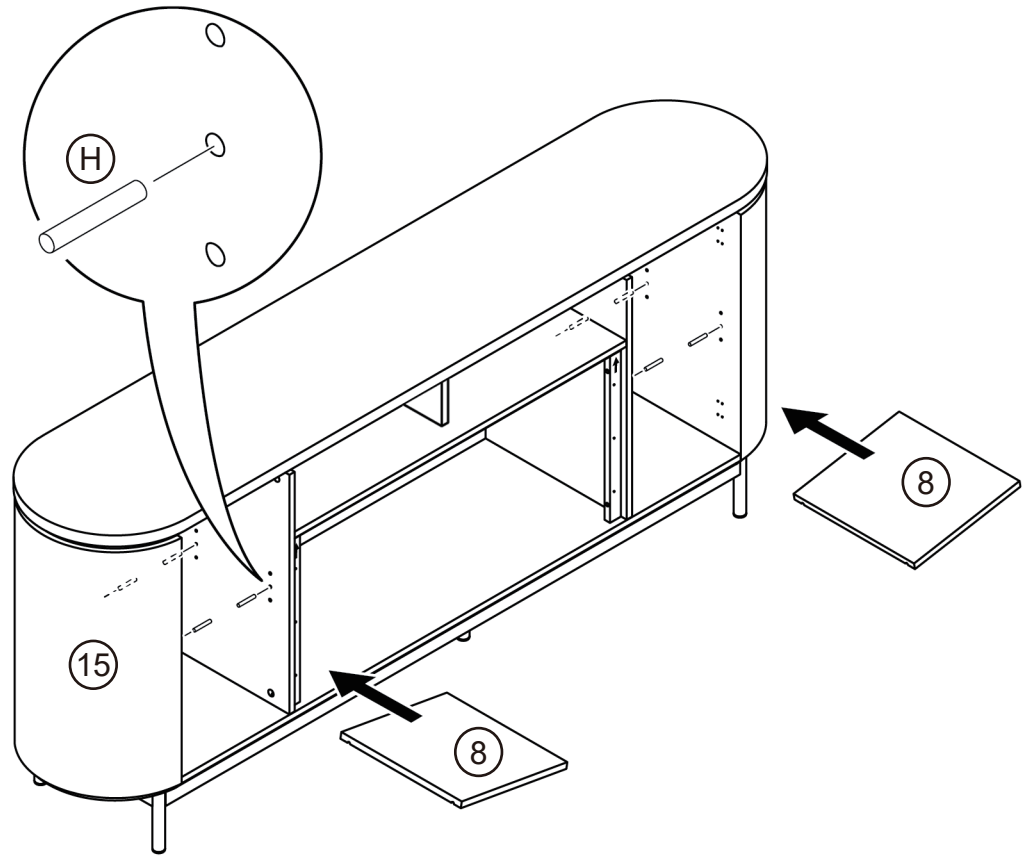
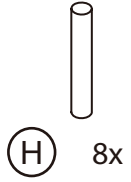


(O) 2x



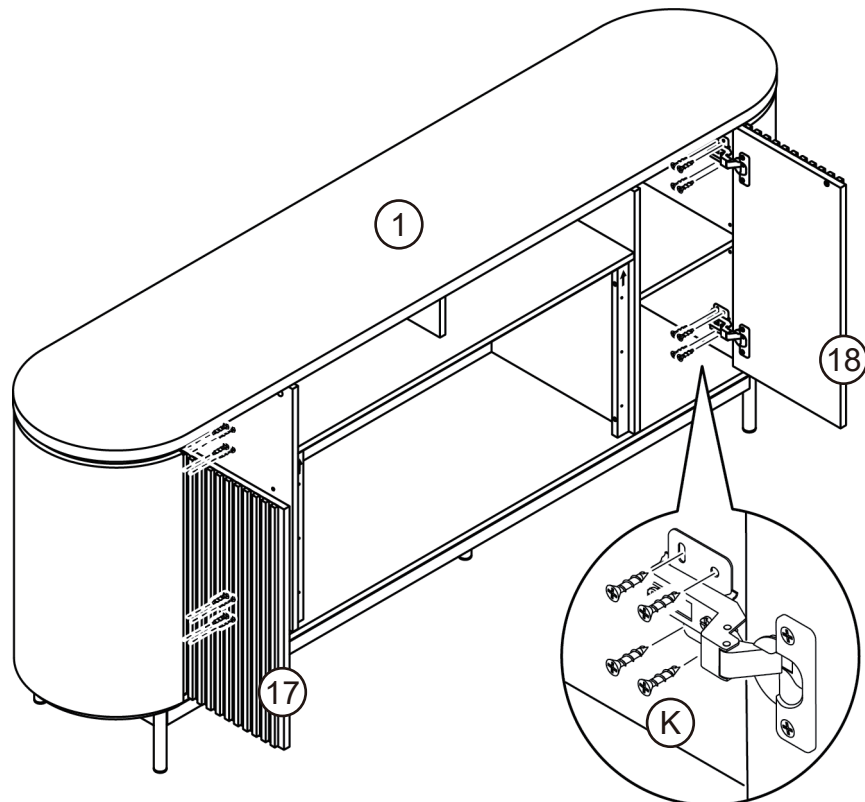
39

Insert shelf pegs into the TV stand and put storage shelf panels (8) on top of the pegs.

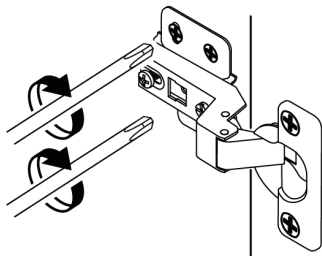
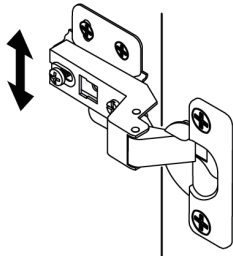
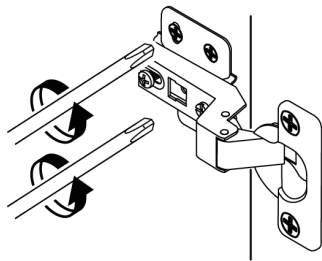
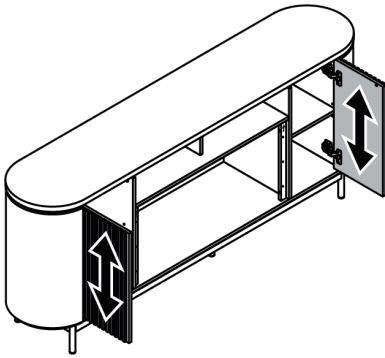


40

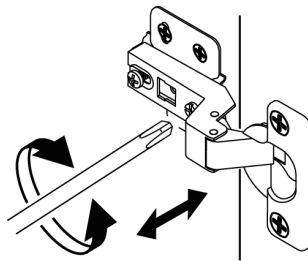
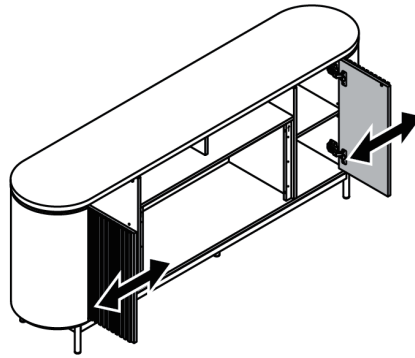
Attach cabinet doors to the TV stand.



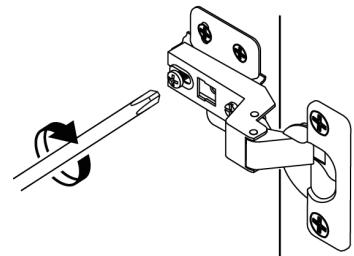
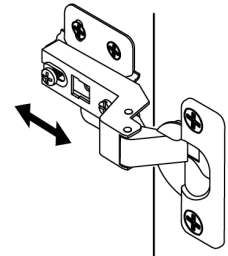
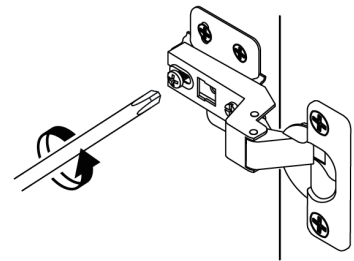
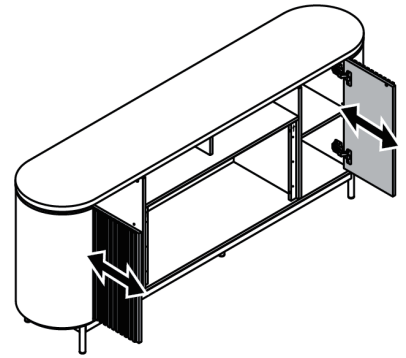
When the clearance of the door is uneven, Adjust the cabinet door according to the figure.
If you still have trouble while adjusting the door, please contact us.



Up and down
adjustment by
loosening the screws
on the mounting
plate.



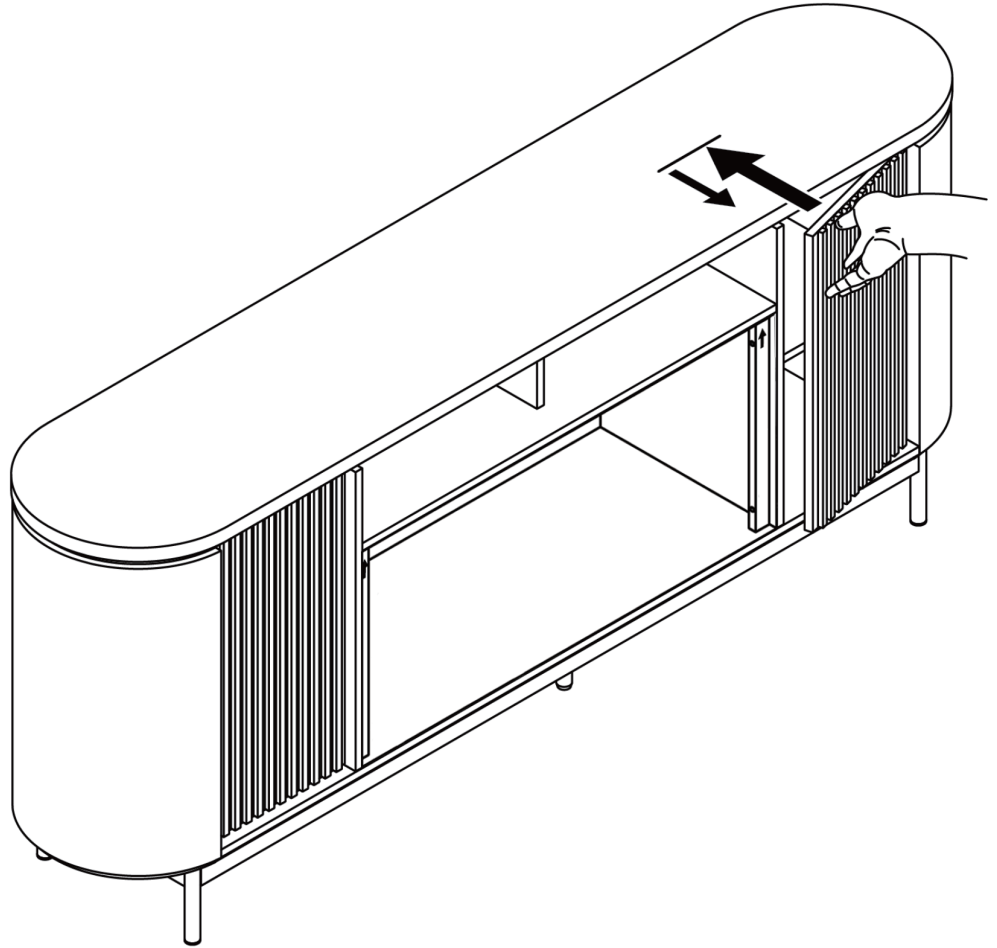
Side to side
adjustment using
the front adjustment
screw on the hinge.



In and out
adjustment by
loosening the screws
on the hinge arm.

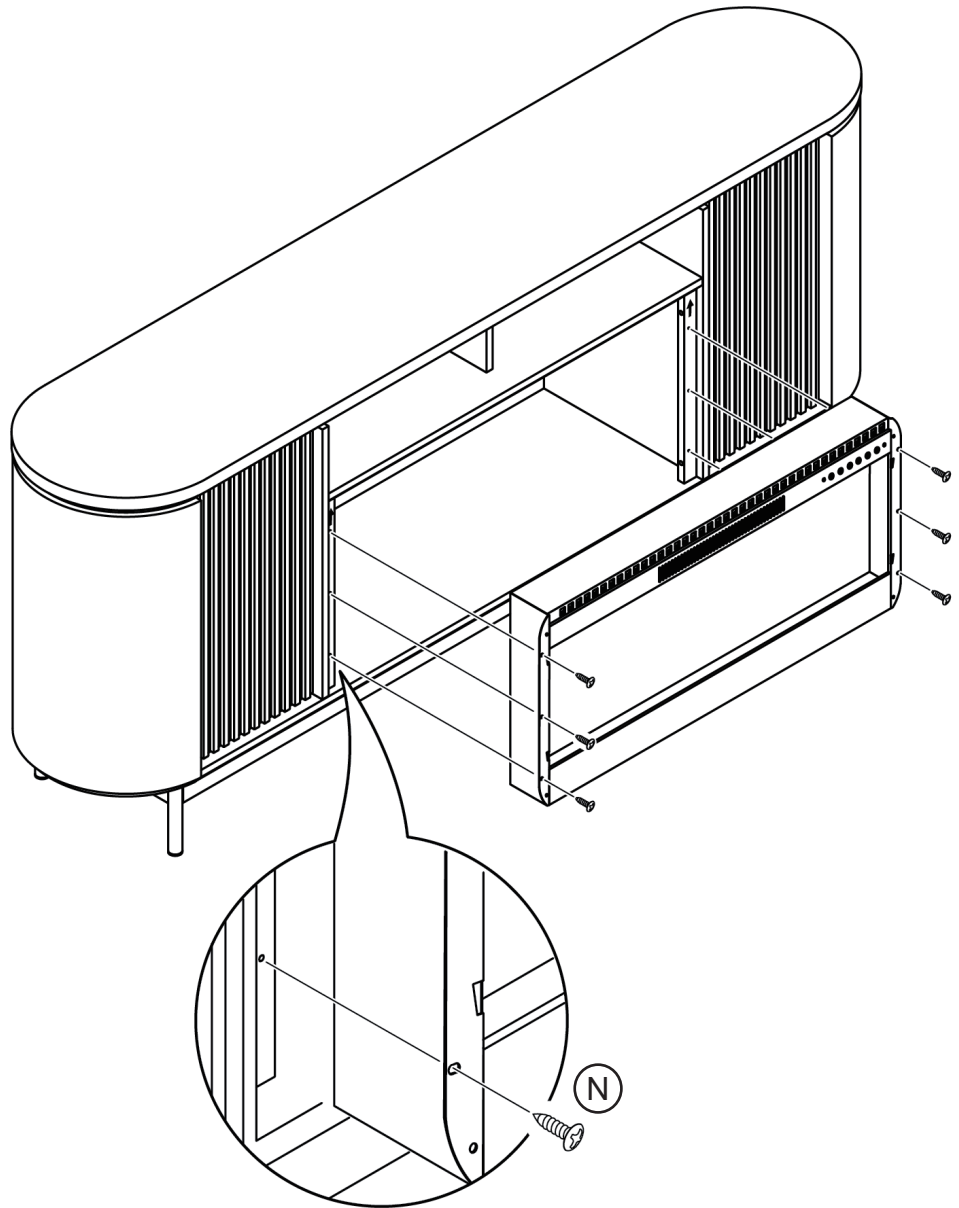
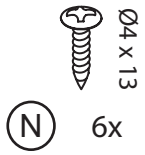
41

Rebound hinge, only need to gently press the door panel when opening the door.



42

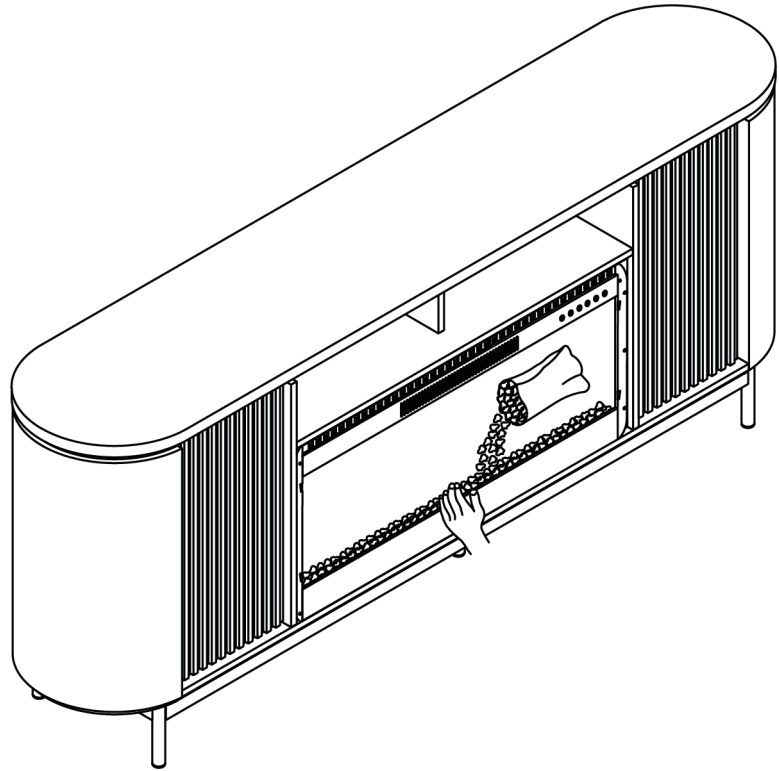
Install fireplace heater into the stand from the front.



Set the unit from the front of the fireplace mantel and center it in the opening, check the alignment and attach the unit to the mantel by inserting screws through the drilled holes on the mantel.

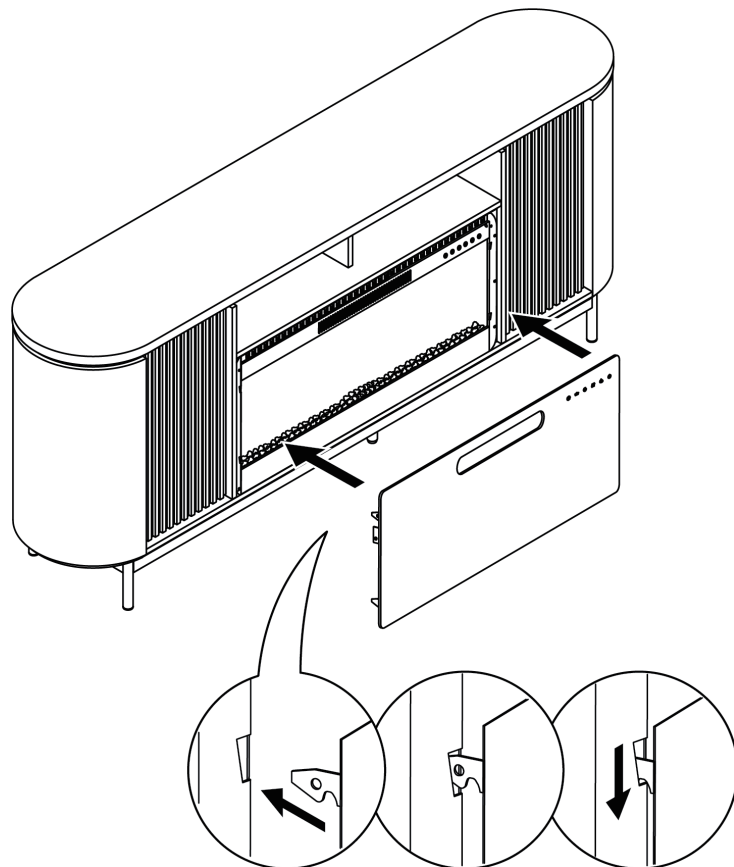
43

Place decorative crystals or rocks into the fire place heater.



44

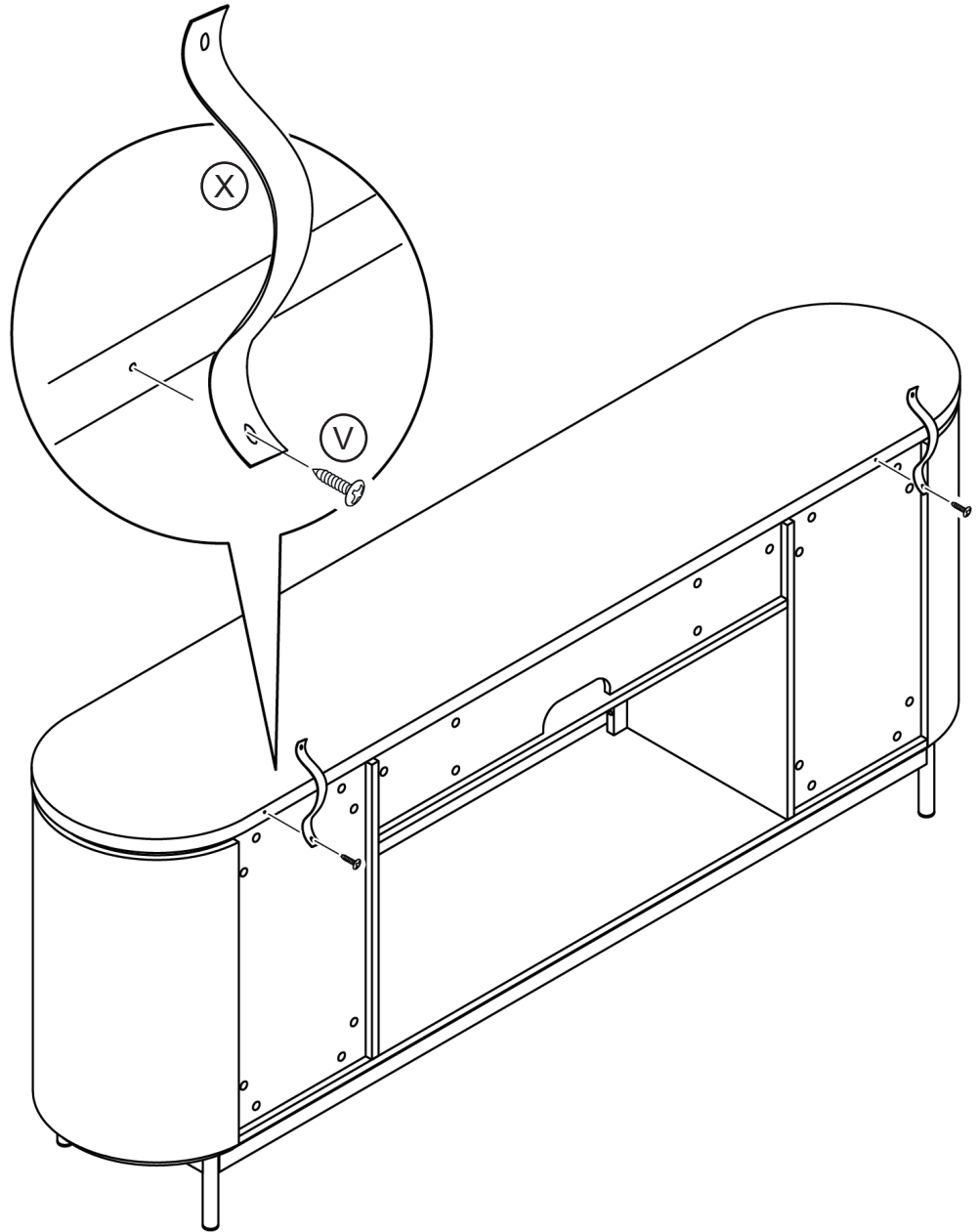
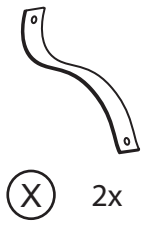
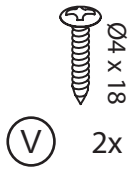
Install the front glass panel to the fire place heater.



CAUTION:
Careful when handling glass to prevent injury or damage.
For the exact instruction, please refer to the user's manual provided with the fireplace.

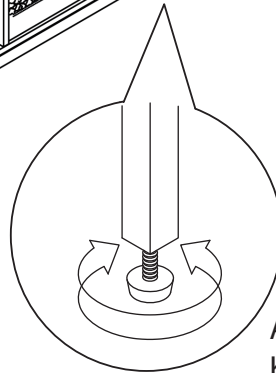
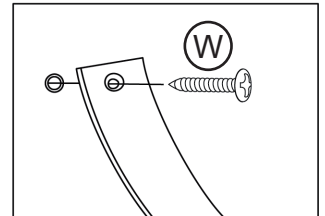
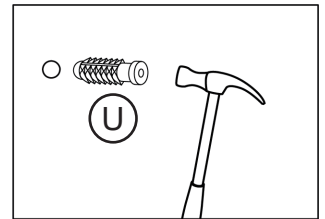
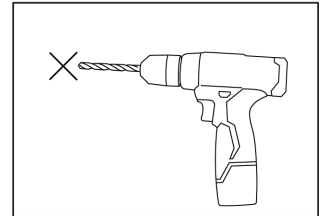
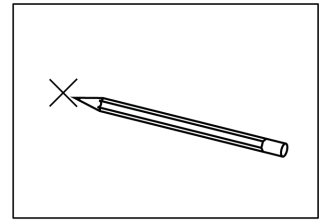
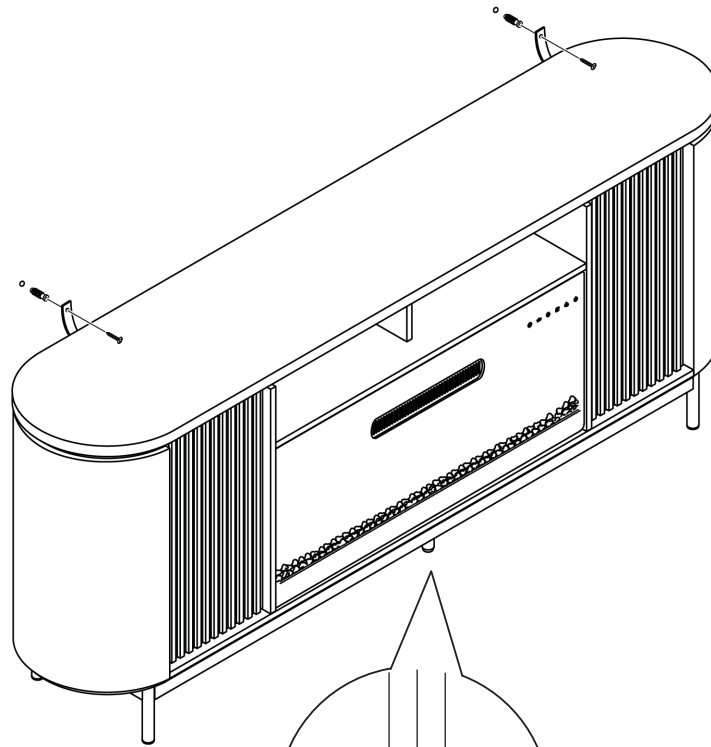
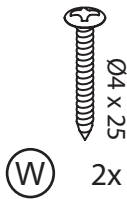
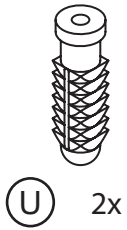
45

Attach anti-tipping straps to the back of the TV stand.



46

Affix the TV stand to a wall.

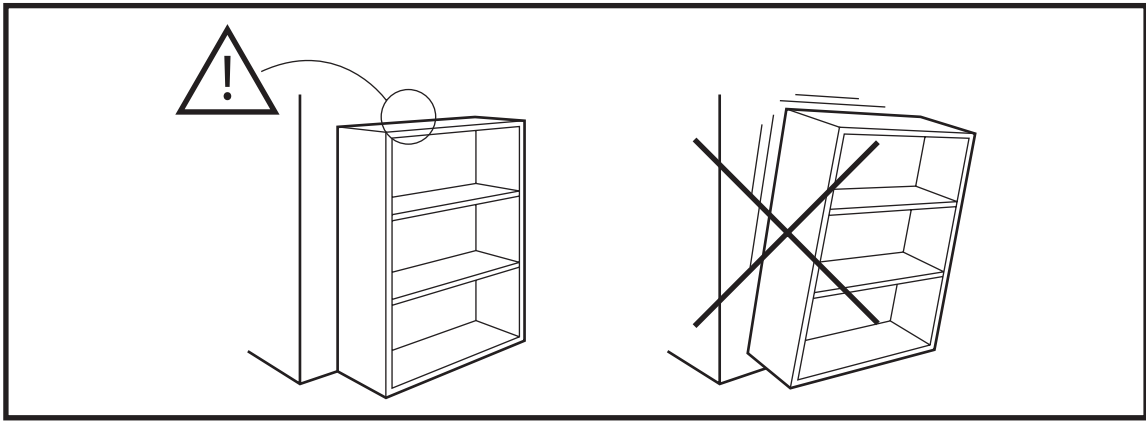


Adjust table foot pads.
Keeps stable even on uneven floors.

Furniture must permanently fixed to the wall stud with included anti-tipping device to prevent the furniture from tipping over.

- Mark the drill position on the wall with a pencil.
- Drill a small hole on the marked position.
- Insert a wall anchor into the drilled hole.
- Fixed the anti-tipping strap to the wall with provided screws.

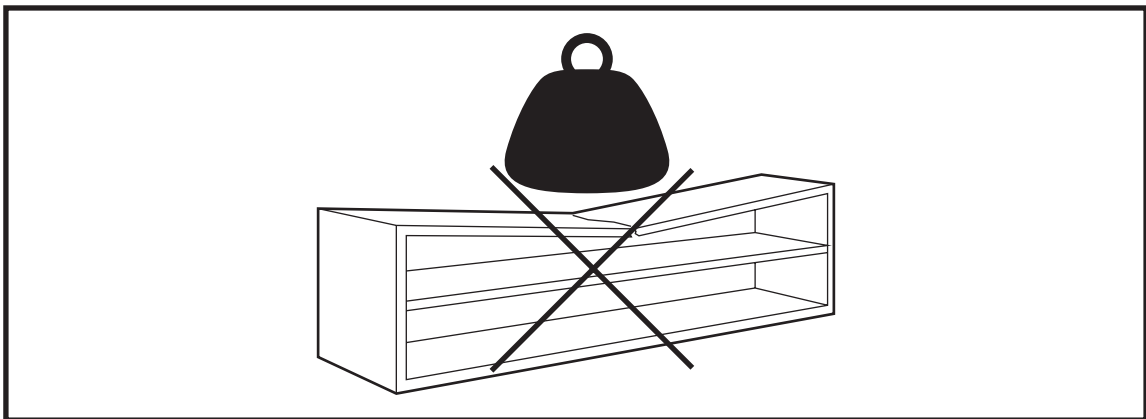
YOU'RE FINISHED!



Warning

Serious or fatal crushing injuries may occur if the furniture tip-over. Furniture must permanently affixed to the wall with included anti-tipping device in order to prevent the furniture from tipping over.

Different wall materials requires different types of wall anchors or screws. Use a suitable wall anchors or screws for your specific wall in order to secure the stability and load bearing capacity of the furniture. If you are uncertain about which type of device to use, please contact us or your local hardware store.



Warning

Only place items on top of the product if they meet the recommended size and weight limits.

Climbing on, stepping on, or placing overweighted objects on the product may cause property damage and/or injuries.

Items placed onto this product must be resting on a support surface without hanging over the edges.

WARNING

For use with televisions weighing 70lbs (31.8kg) or less. Use with heavier televisions may result in instability, causing tip over resulting in death or serious injury.

Death or serious injury may occur when children climb on audio and/or video equipment furniture. A remote control or toys placed on the furnishing may encourage a child to climb on the furnishing and as a result the furnishing may tip over on to the child.

Relocating audio and/or video equipment to furniture not specifically designed to support audio and/or video equipment may result in death or serious injury due to the furnishing collapsing or over turning onto a child.

NOTICE

The recommended maximum width of the television is 80 inches. Do not exceed the maximum load capacity.

This product is designed for flat panel TVs only.

FURNITURE CARE AND MAINTENANCE

Medium - Density Fiberboard

Thank you for your purchase. We want your item to last as long as possible. To ensure the product gives you years of longevity, please follow the recommendations in this care and maintenance guide.



MAINTENANCE

- Tighten all bolts and screws again within the first 2 weeks of assembly.
- Check the tightness of all bolts every 2 months and tighten them if necessary.



CLEANING

- Clean the surface of the MDF (medium - density fiberboard) with a lightly dampened cloth.
- A small amount of mild soap can be used if necessary.
- Dry the surface immediately after cleaning.

- ⚠ DO NOT use bleach or alcohol to clean the surface.
- ⚠ DO NOT apply wood treatment on parts made with MDF.

MDF will swell and distort when exposed to water damage. Make sure to dry the furniture immediately after cleaning.

⚠ WARNING

The manufacturer and seller are not responsible for any and all liability relating to personal injury, property damage or losses, whether direct, indirect, or incidental, resulting from the incorrect attachment, improper use, inadequate maintenance, unapproved modification or neglect of this product.

WARRANTY

Our products come with a 1-year warranty from the date of delivery. **Register your product on our website to enjoy our limited lifetime warranty!**

AFTER-SALE SERVICE



Encounter any difficulties or missing parts?



Contact us or email us



We will send you replacement.



Hassle free!
No need to worry about repackaging and sending your item back.