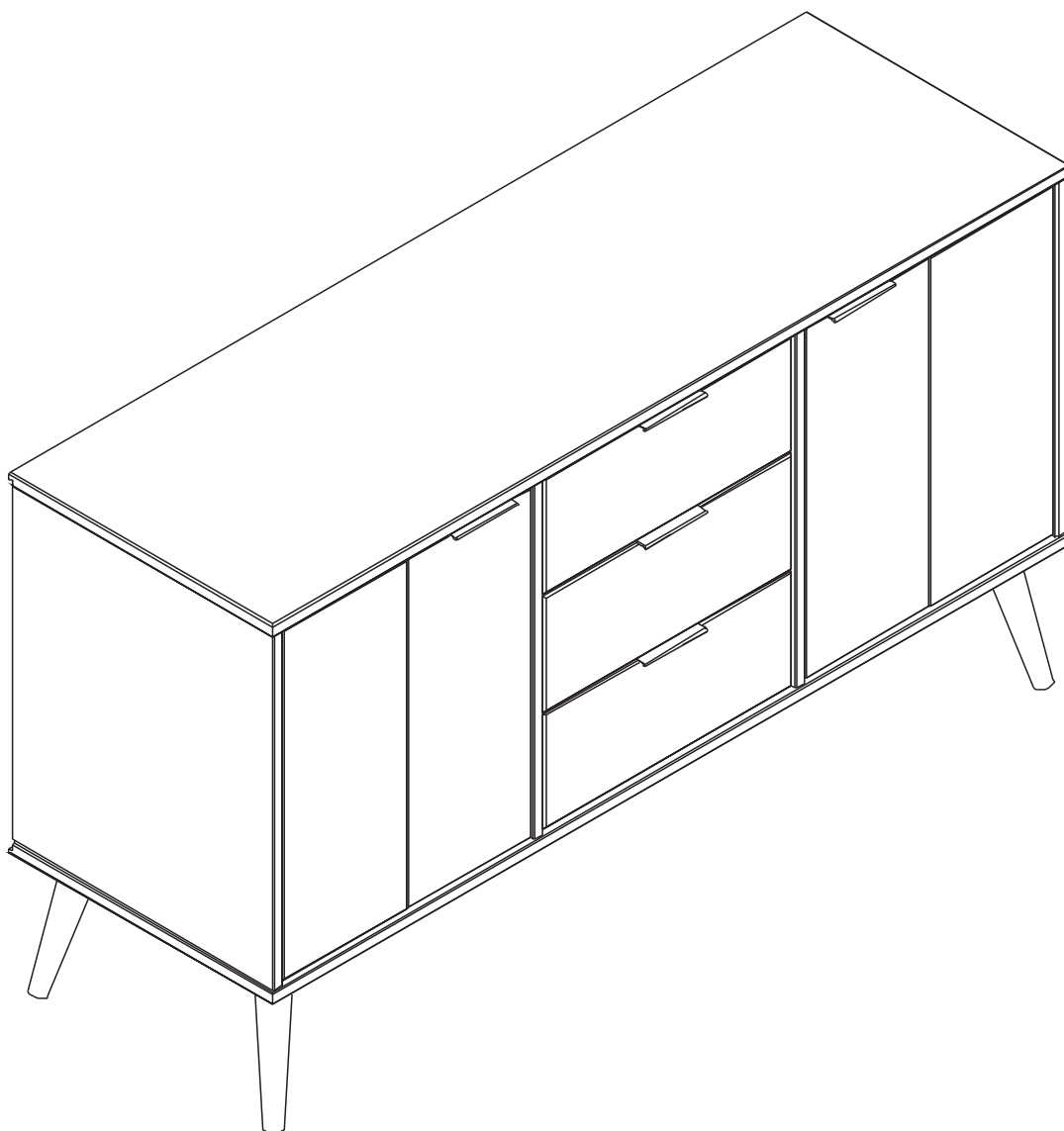
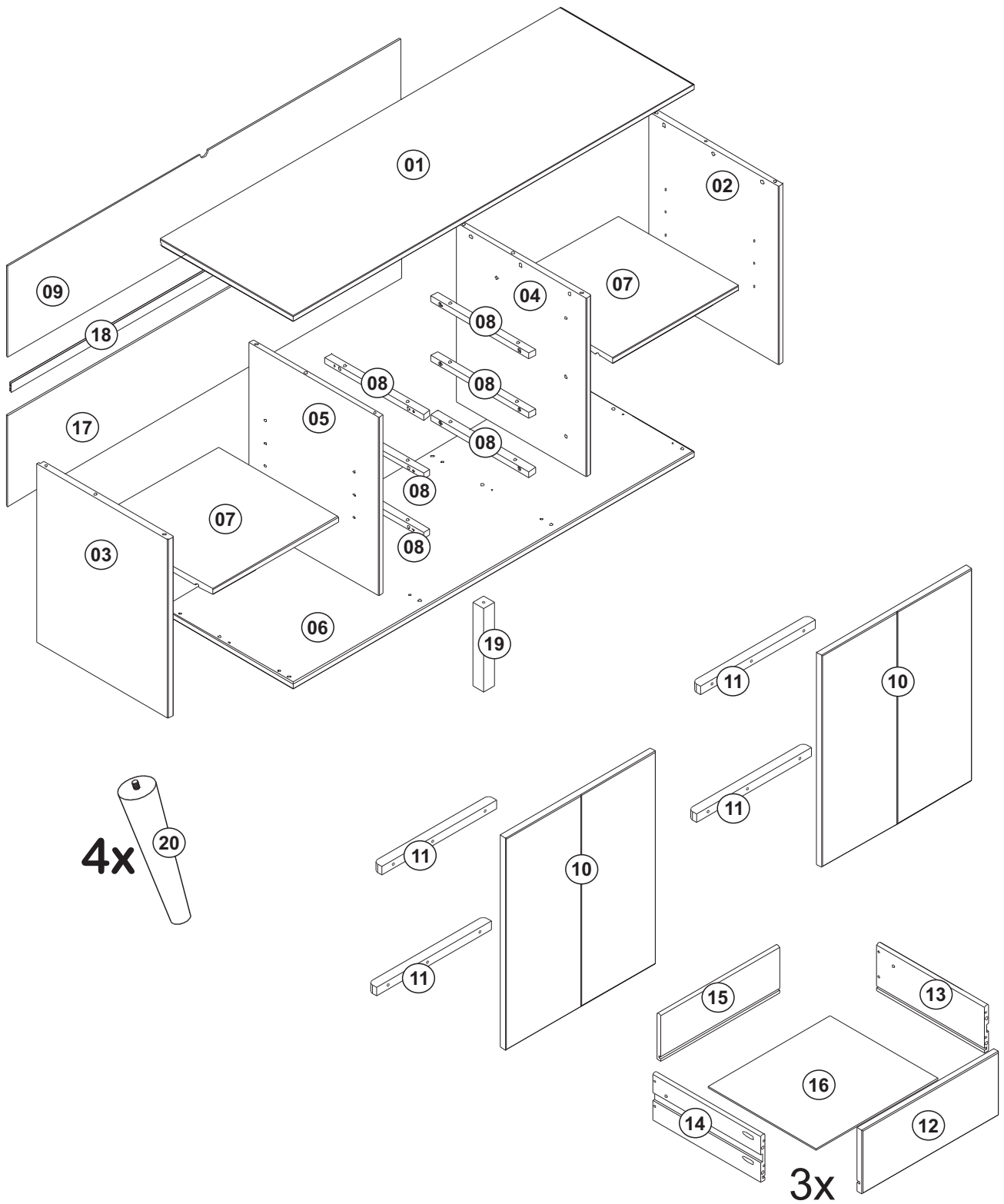
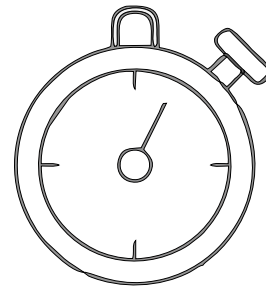
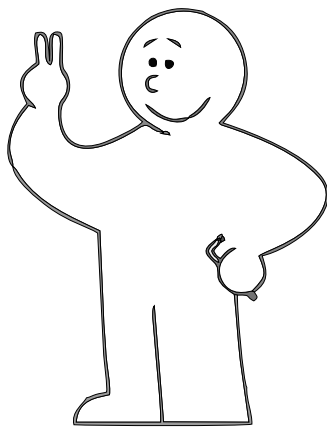
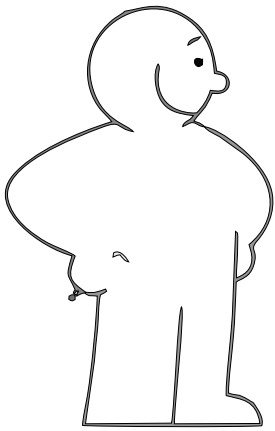


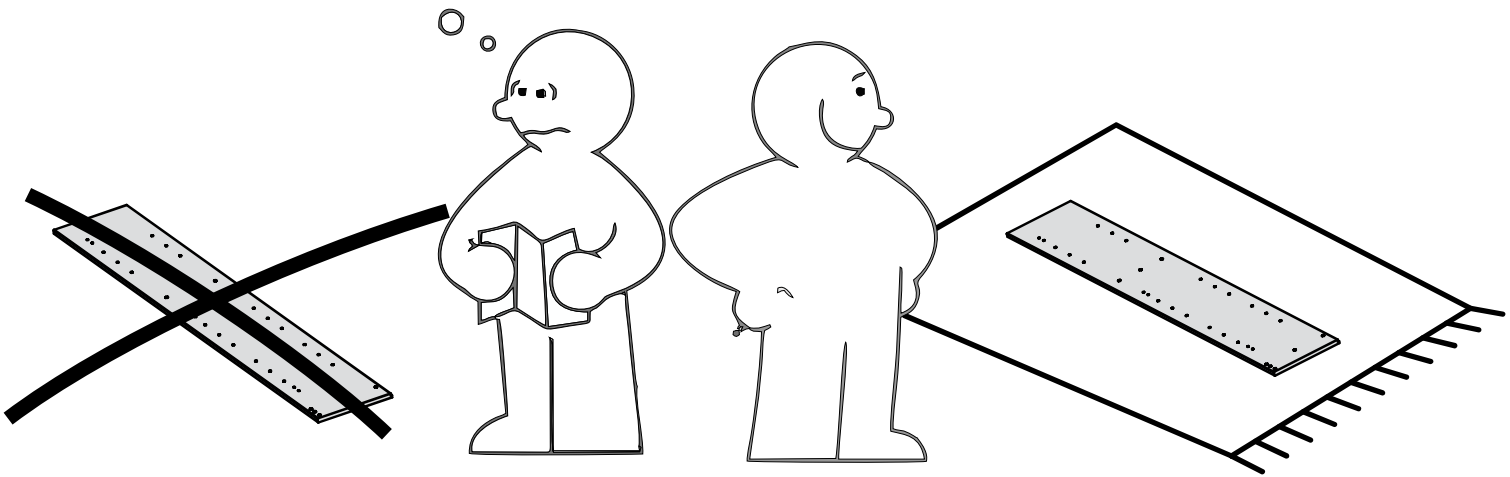
ALICE SIDEBOARD



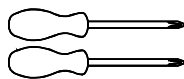
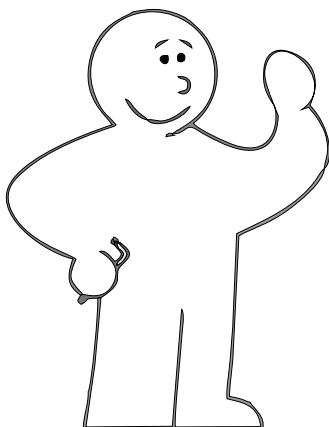




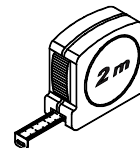
90 Min



Tools required



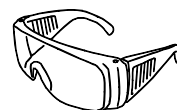
Phillips screwdriver
(medium & large)



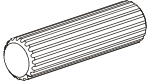

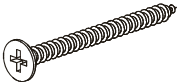

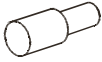

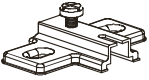
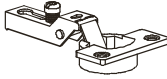
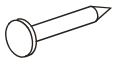

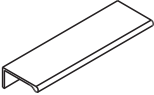
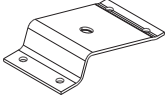
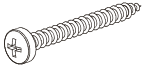


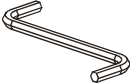
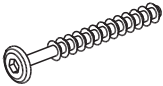

Ruler/tape
measure



Small
hammer



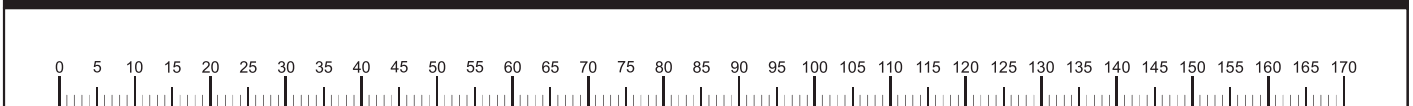
Eye protection
(when using a
hammer or glue)

A	 8x25mm	60	B	 4,0x25mm	24
C	 4,0x40mm	12	D	 3,5x14mm	45
E		08	F		12
G		04	H		04
I		28	J		02
K		05	L		04
M	 3,5x30mm	31	N	 3,0x30mm	12
O		02	P		01
Q	 7,0x50mm	01	R		01

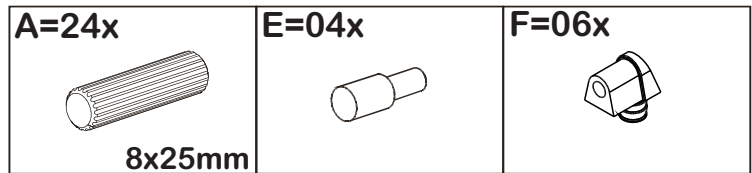
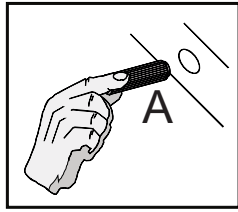
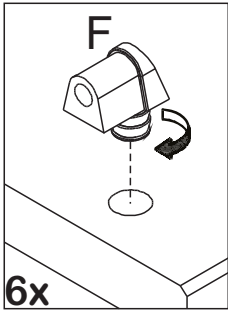
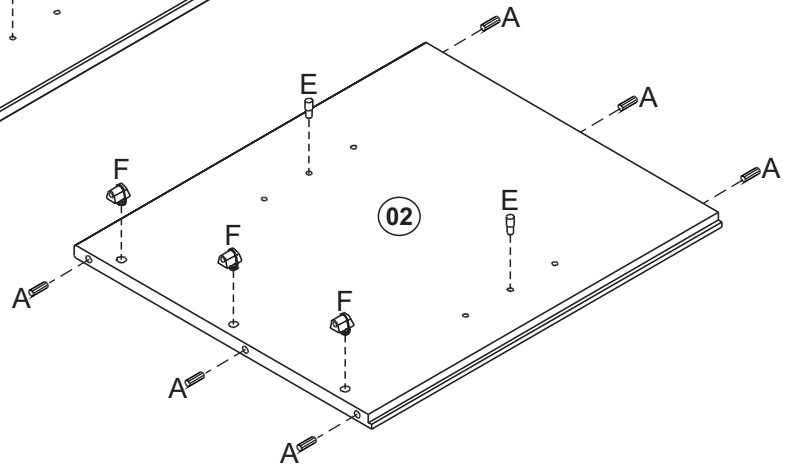
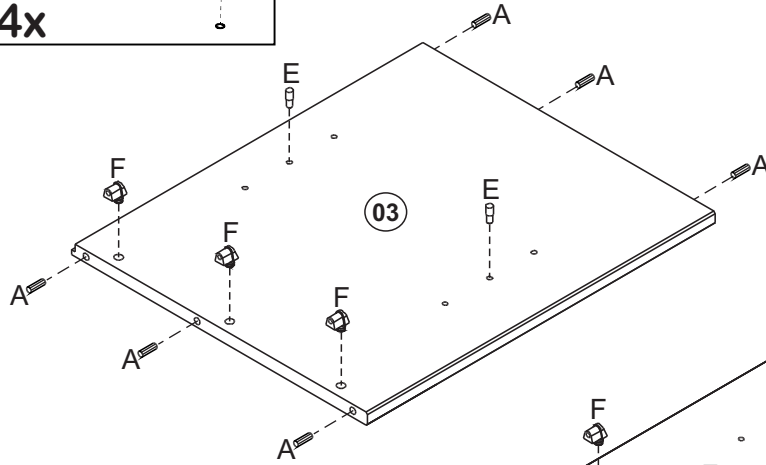
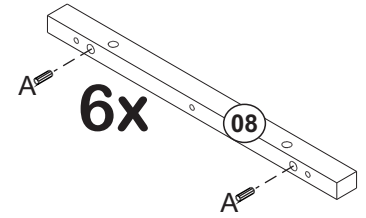
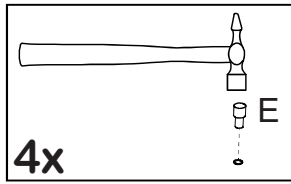


HARDWARE IS LOCATED INSIDE A CARDBOARD BOX ! CHECK FOR IT BEFORE DISPOSING PACKAGING

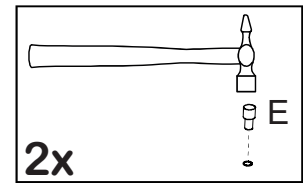
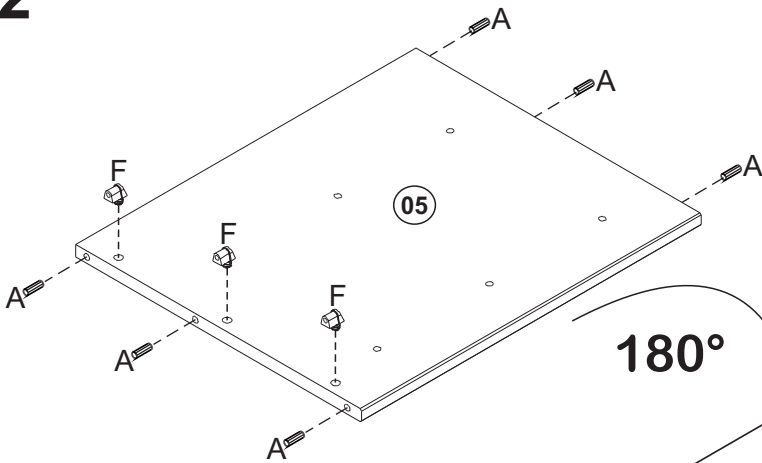
Ruler - Use this ruler to help correctly identify the screws



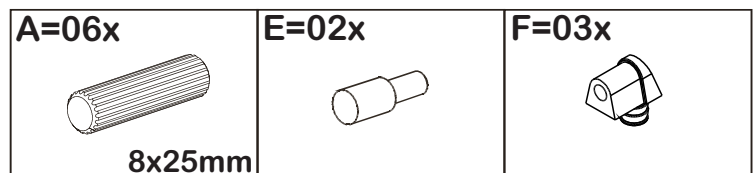
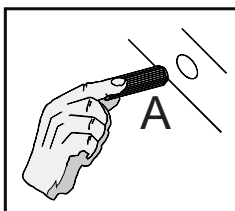
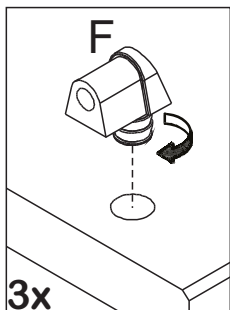
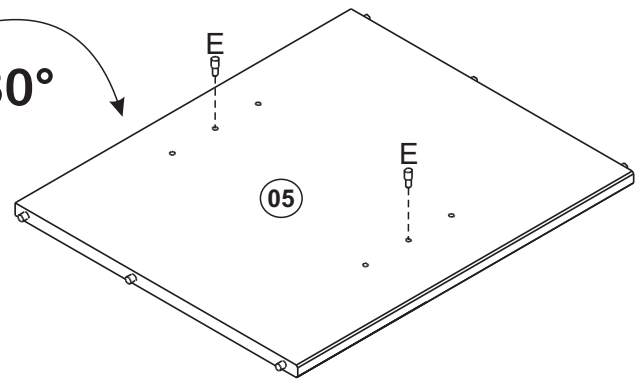
01



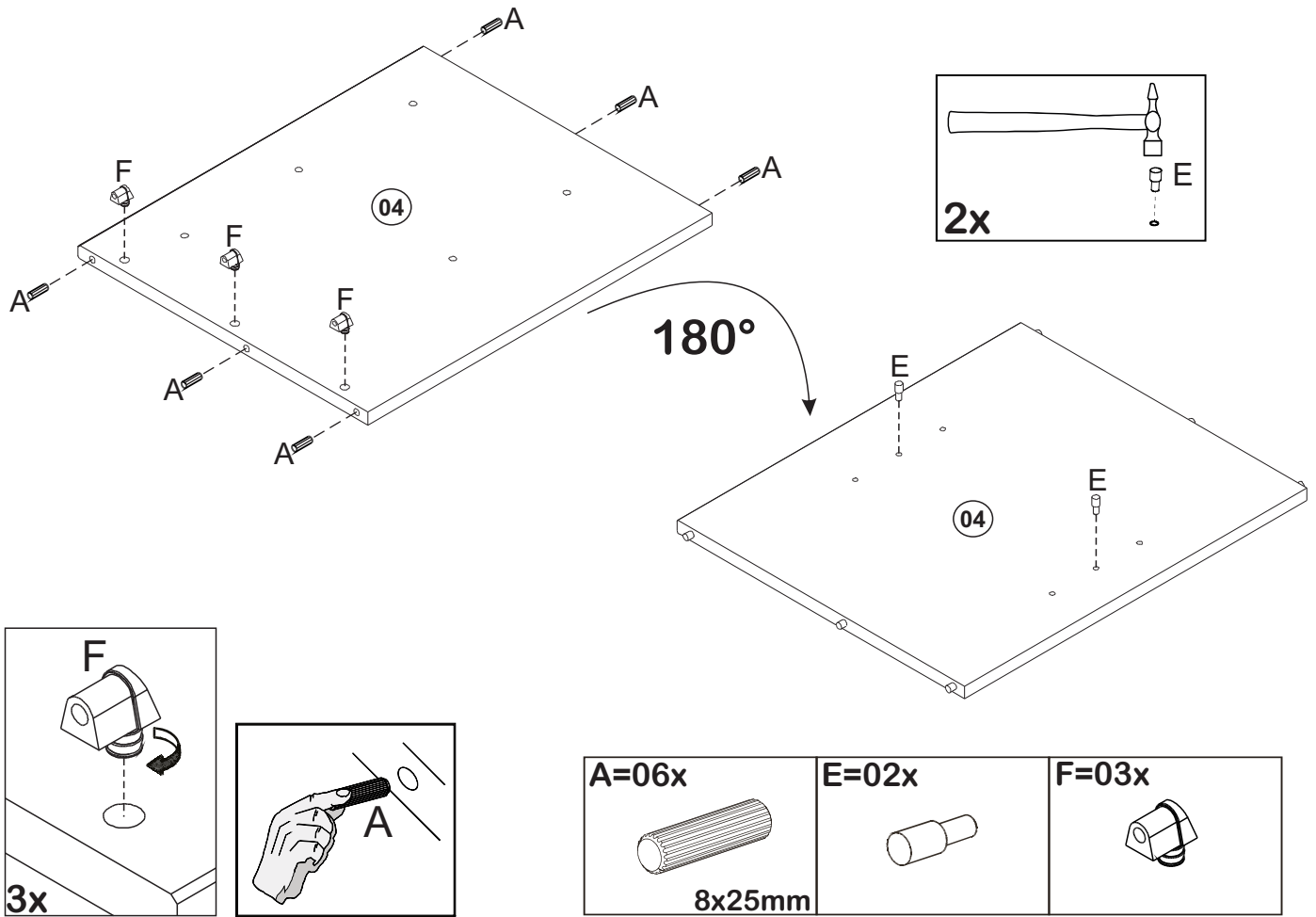
02



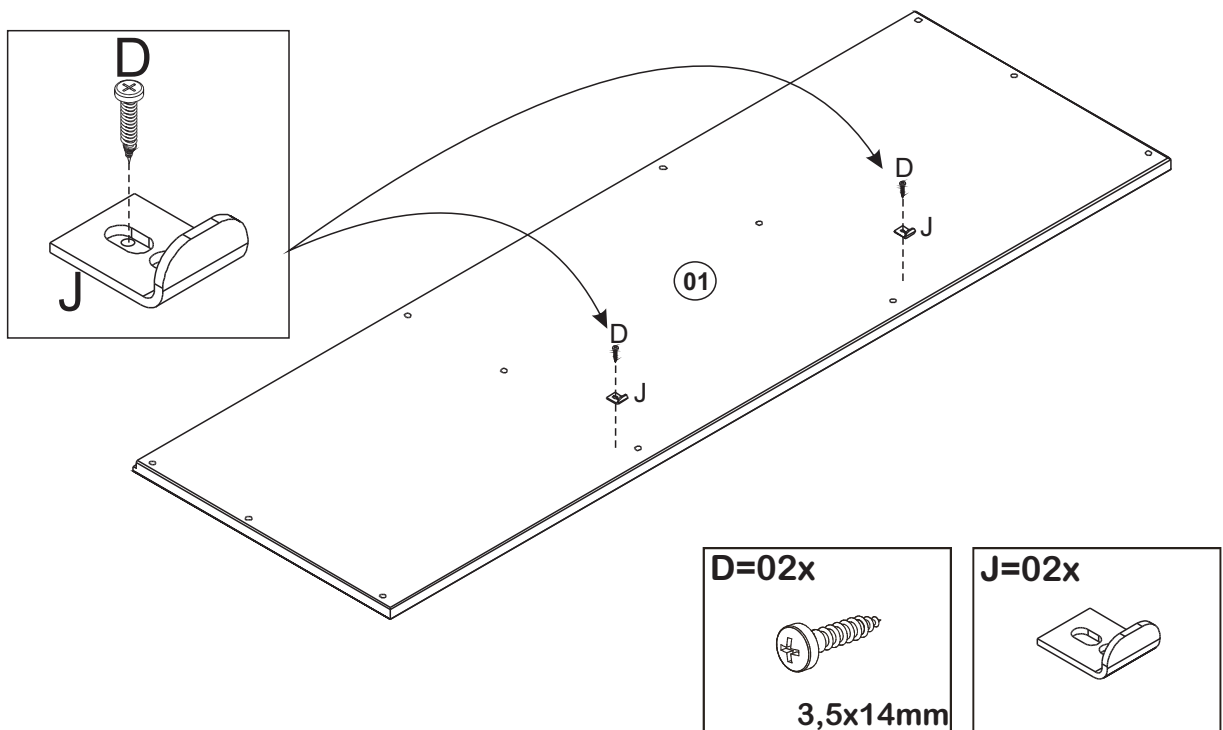
180°



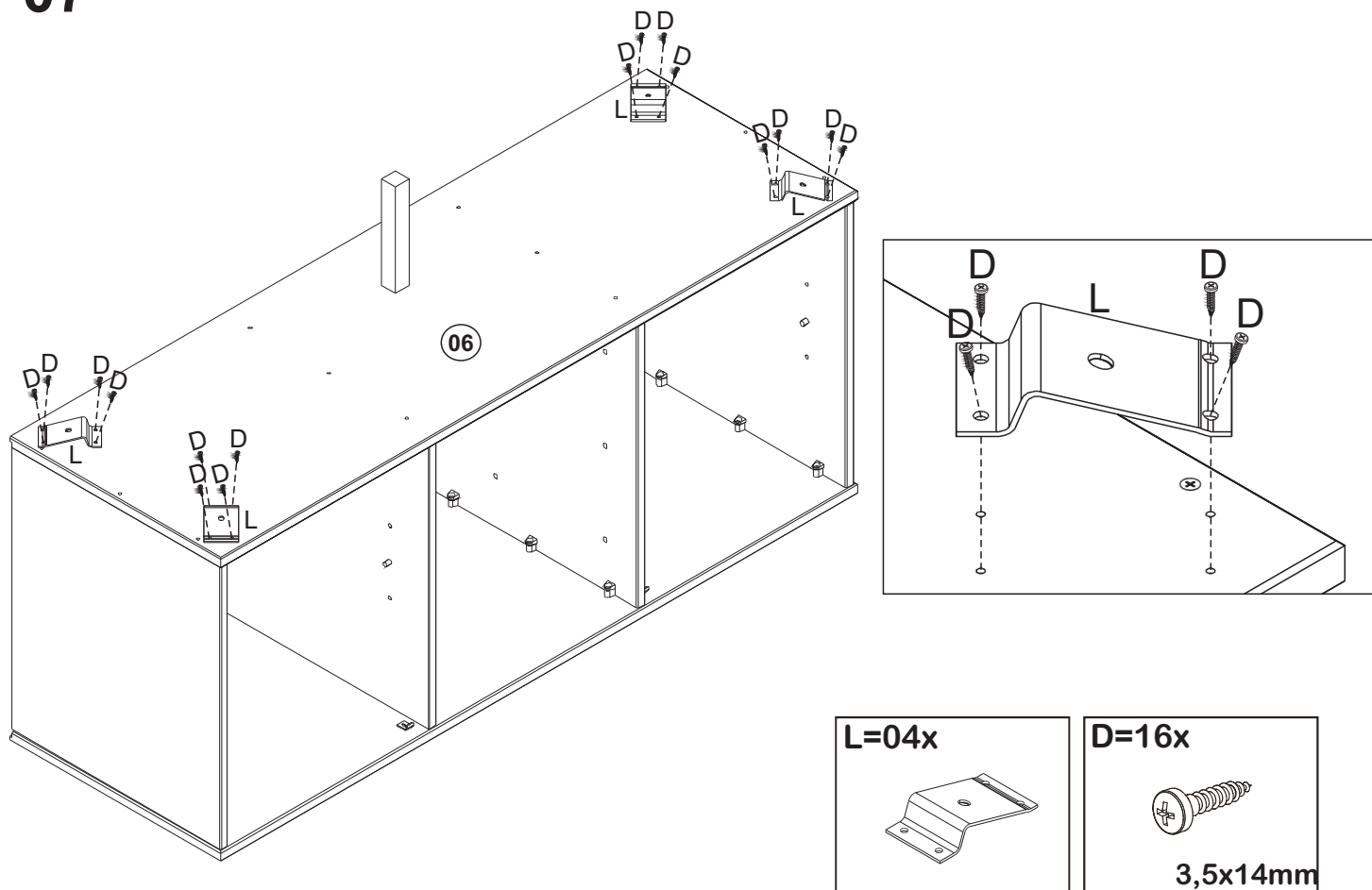
03



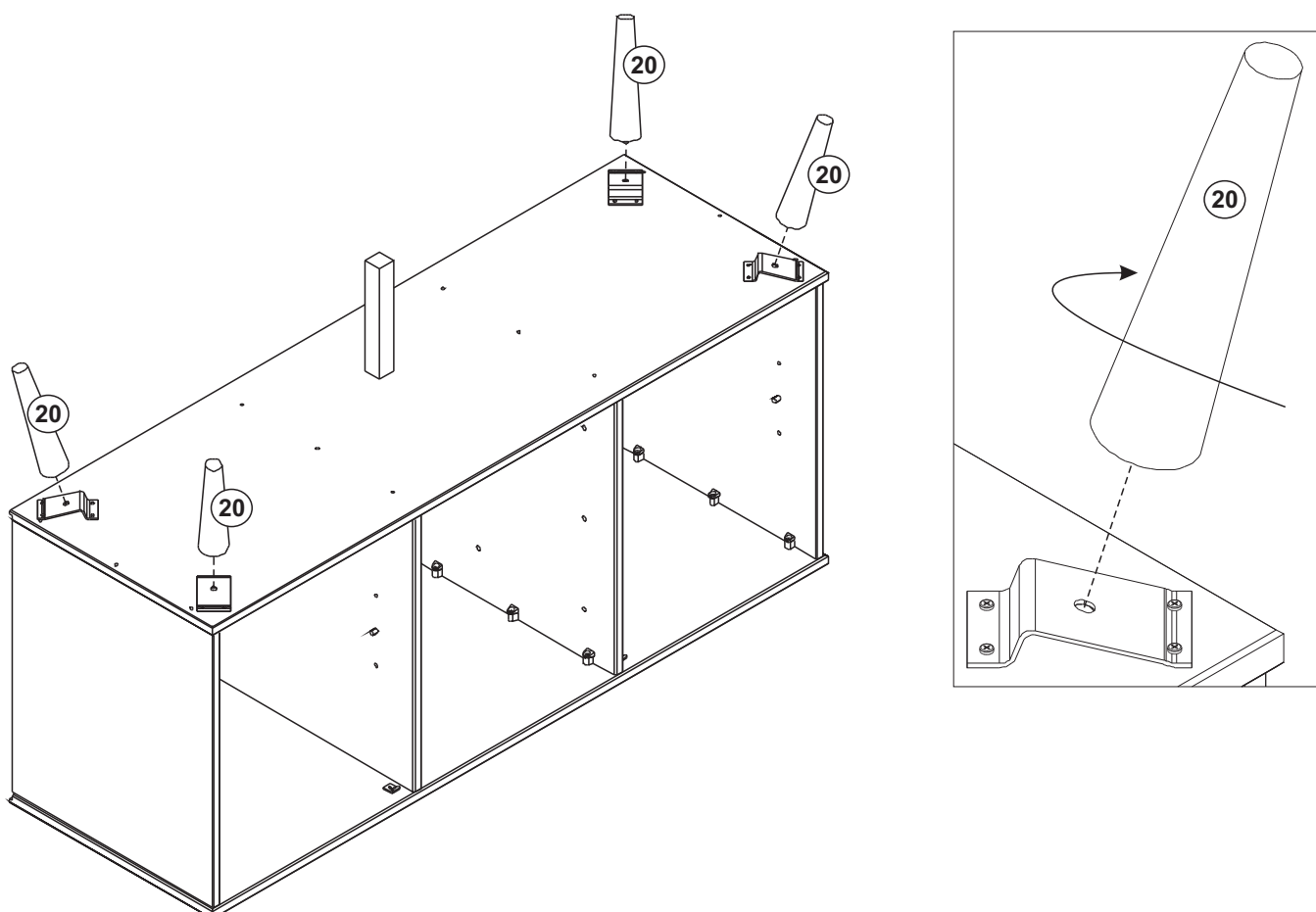
04



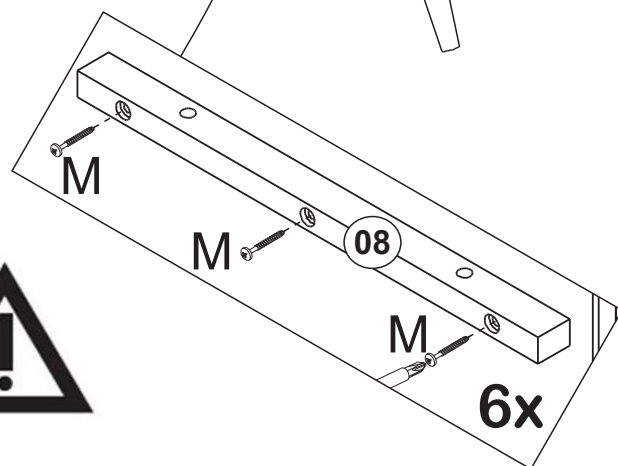
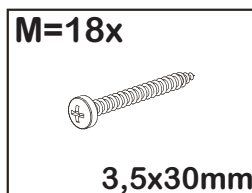
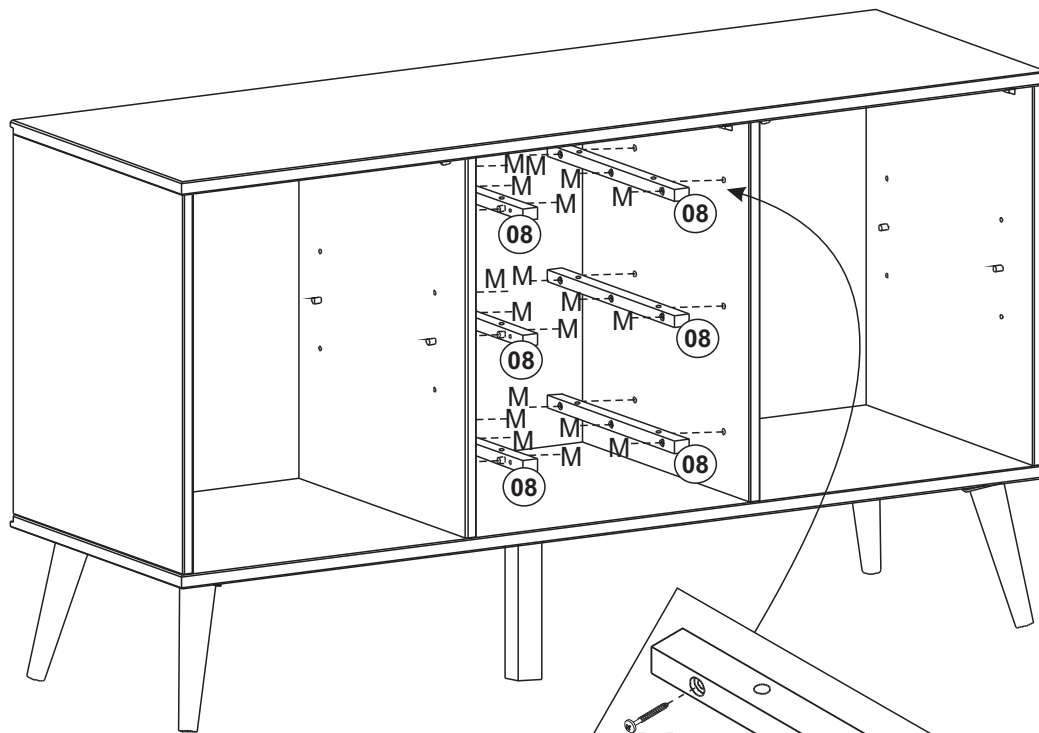
07



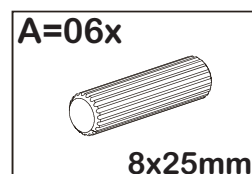
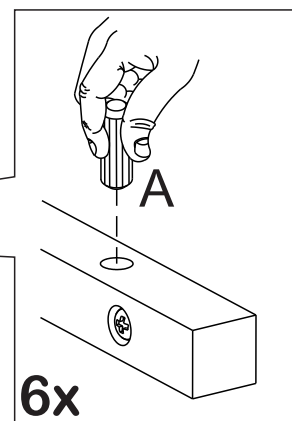
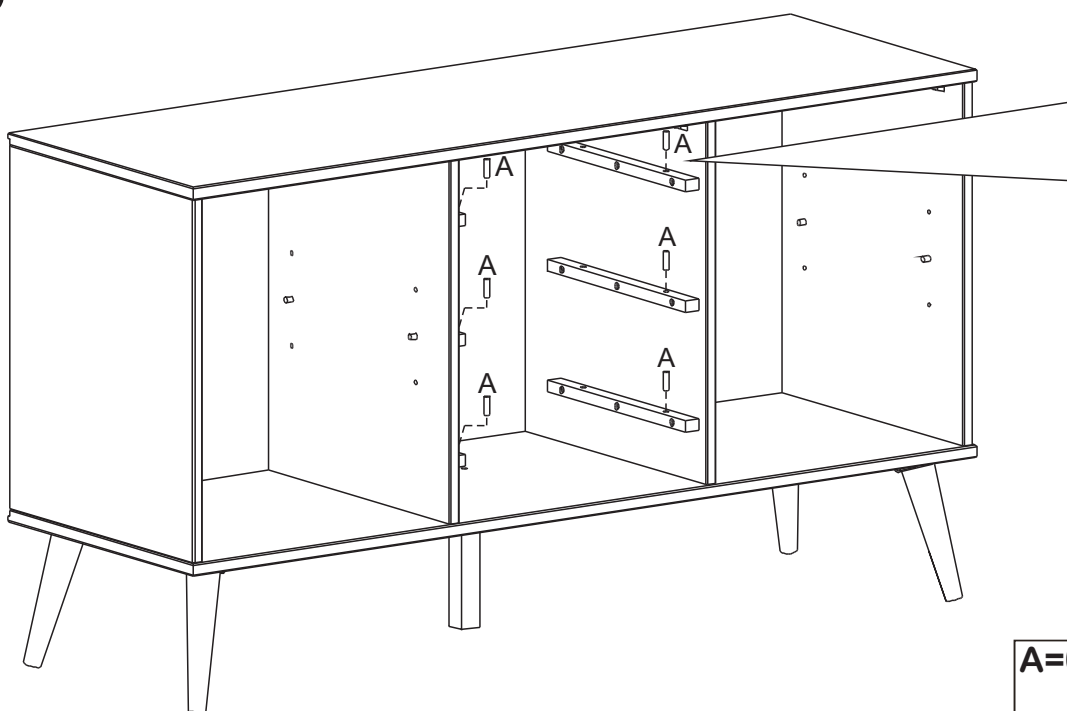
08



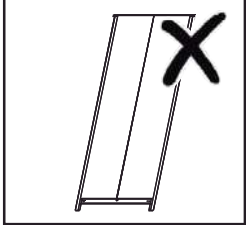
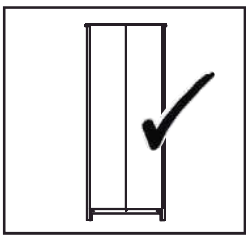
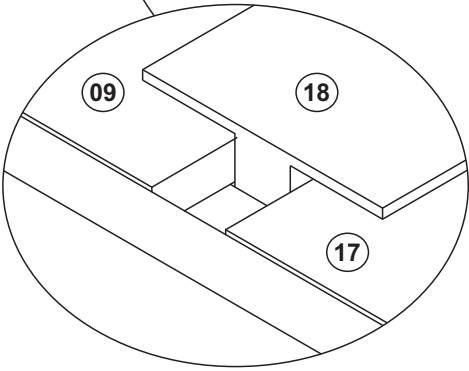
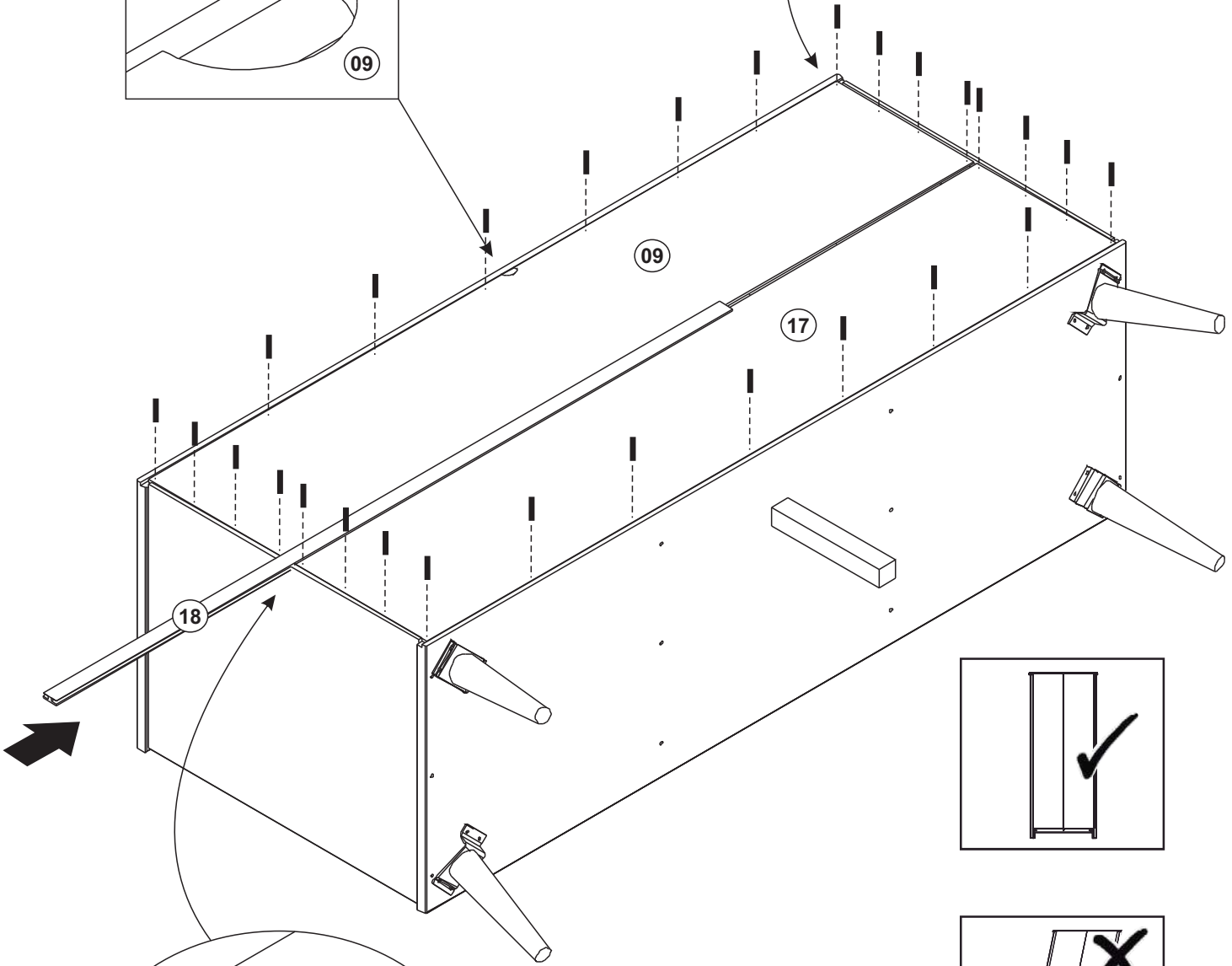
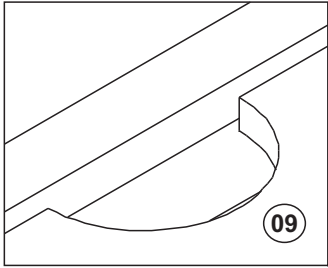
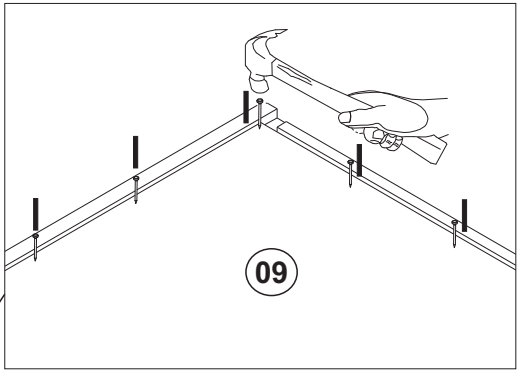
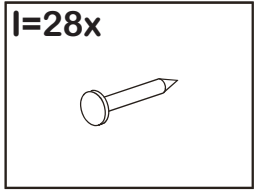
09



10



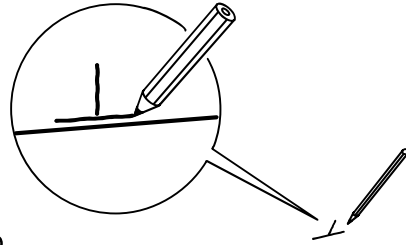
11



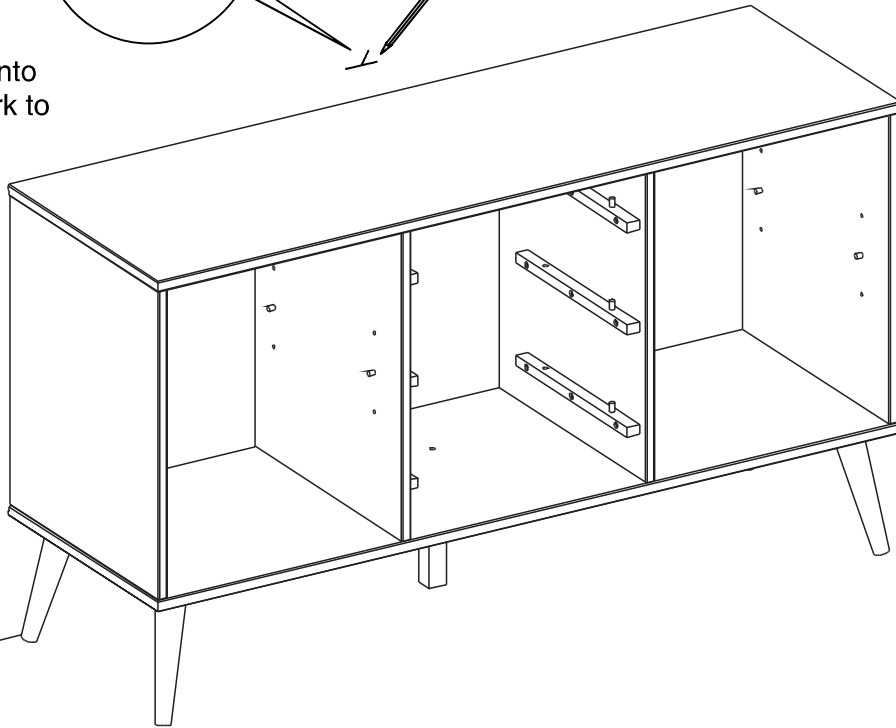
Use all back panels nails. Evenly spaced, they help make the unit strong.

Important: Cabinet **MUST** be 'square' when back panel is attached.

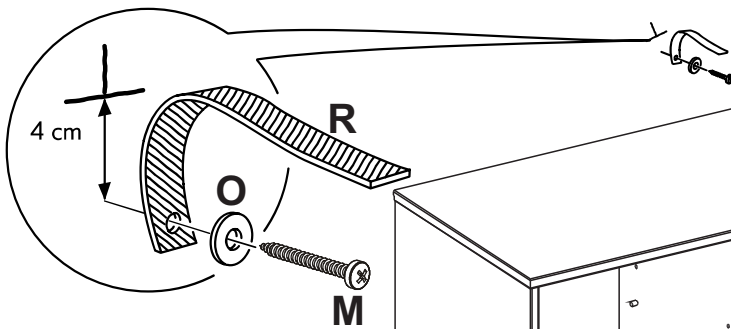
12



Position the furniture into place and make a mark to the wall, as shown.

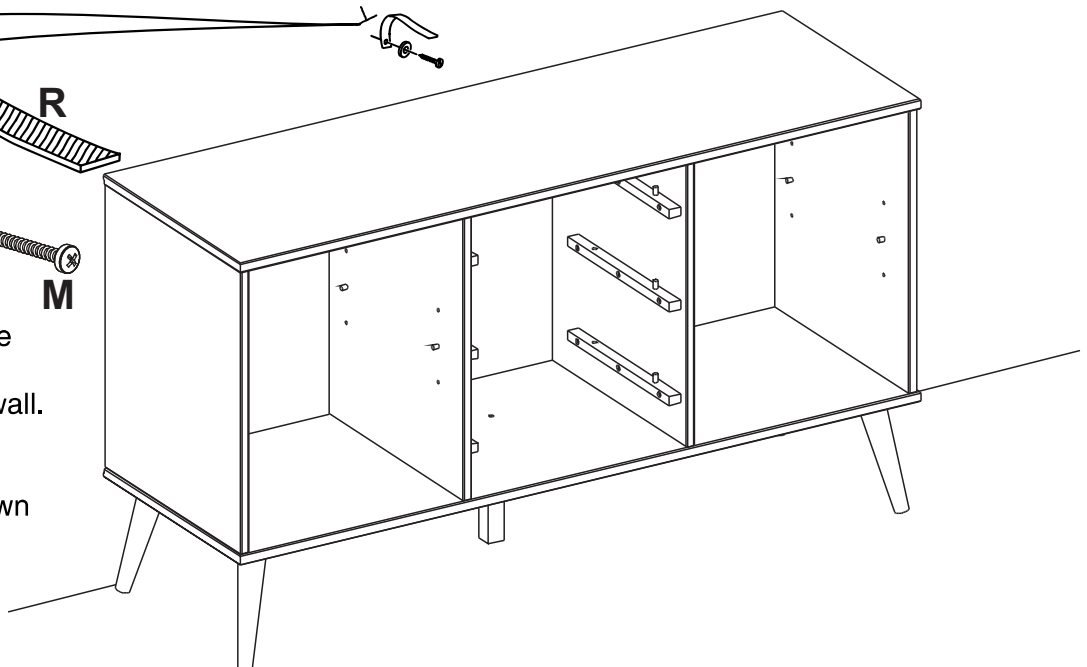


13

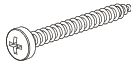




With help, carefully move the furniture away to access the mark in the wall.

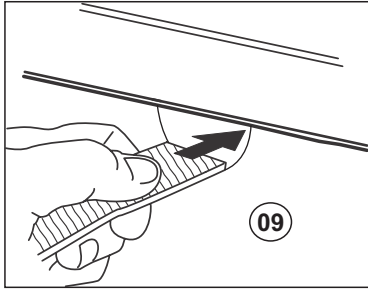
Drill hole on wall 4cm below the mark, as shown in the diagram.



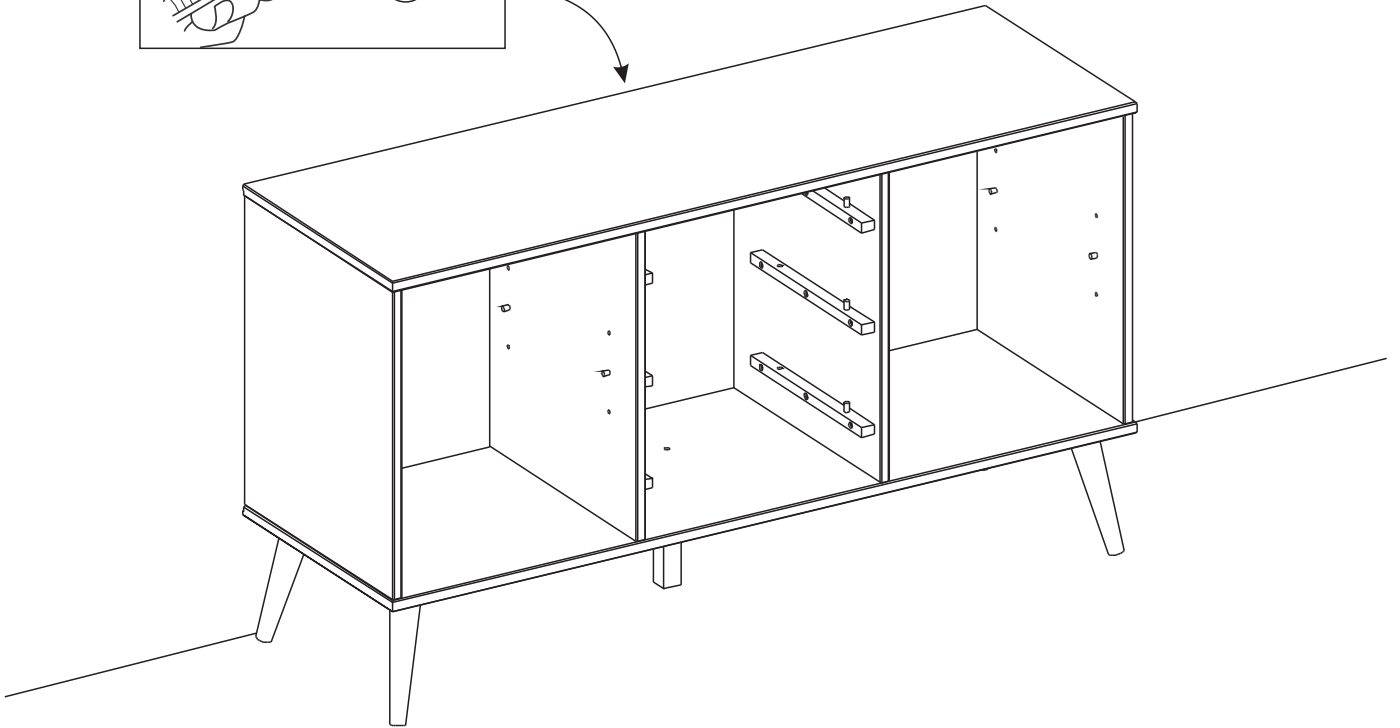
Before drilling, check wall for hidden pipes and cables.

M=01x  3,5x30mm	O=01x 	R=01x 
--	---	--

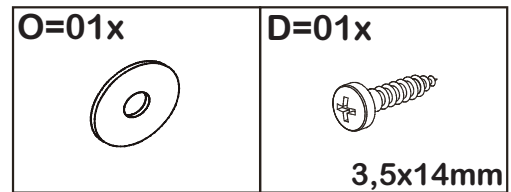
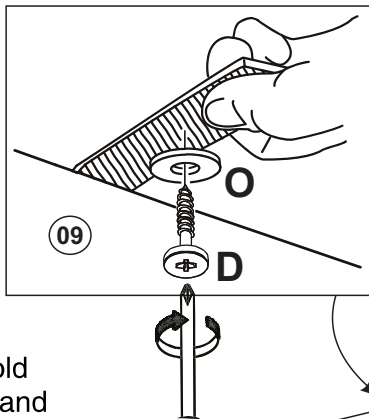
14



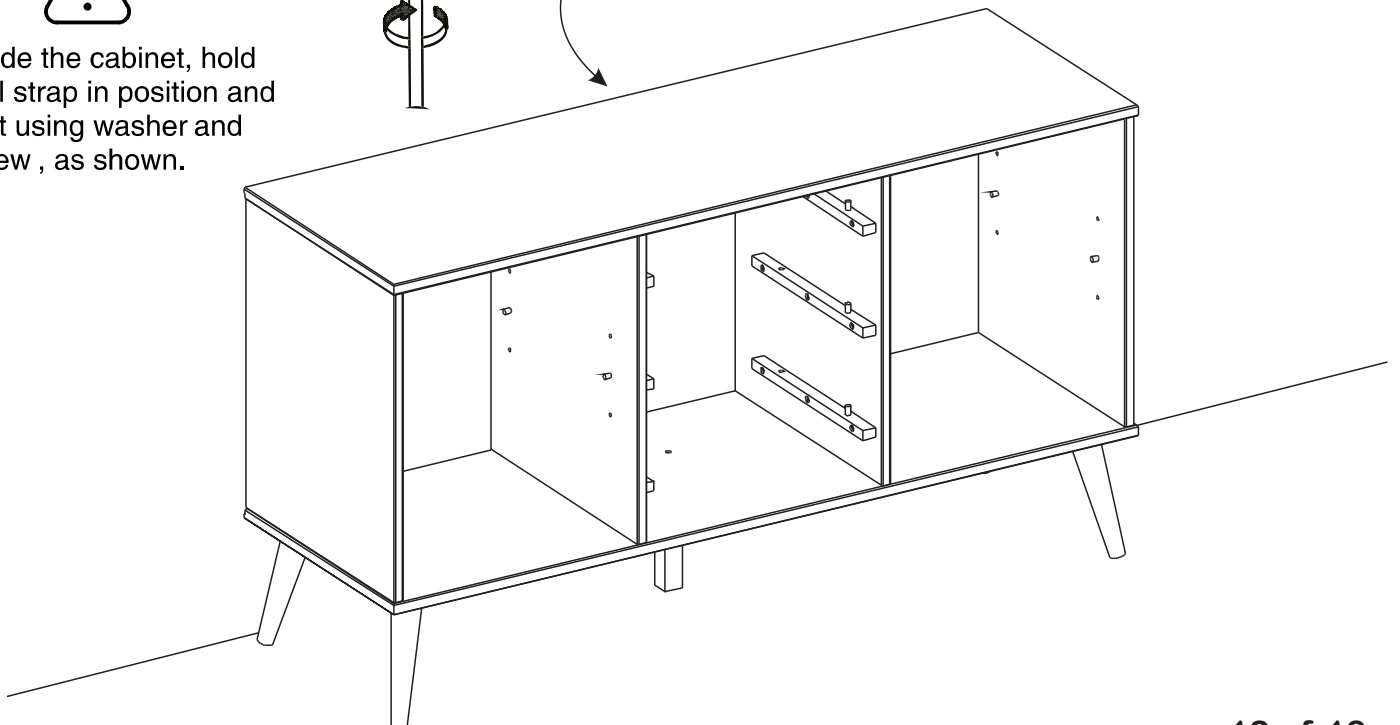
With help, carefully move the furniture back to position and insert wall strap into slot on top panel, as shown.



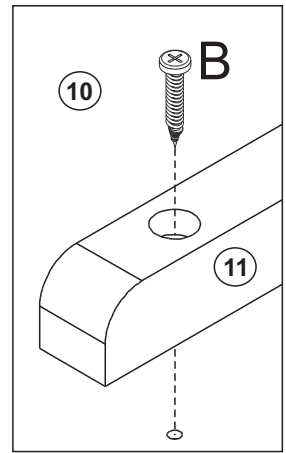
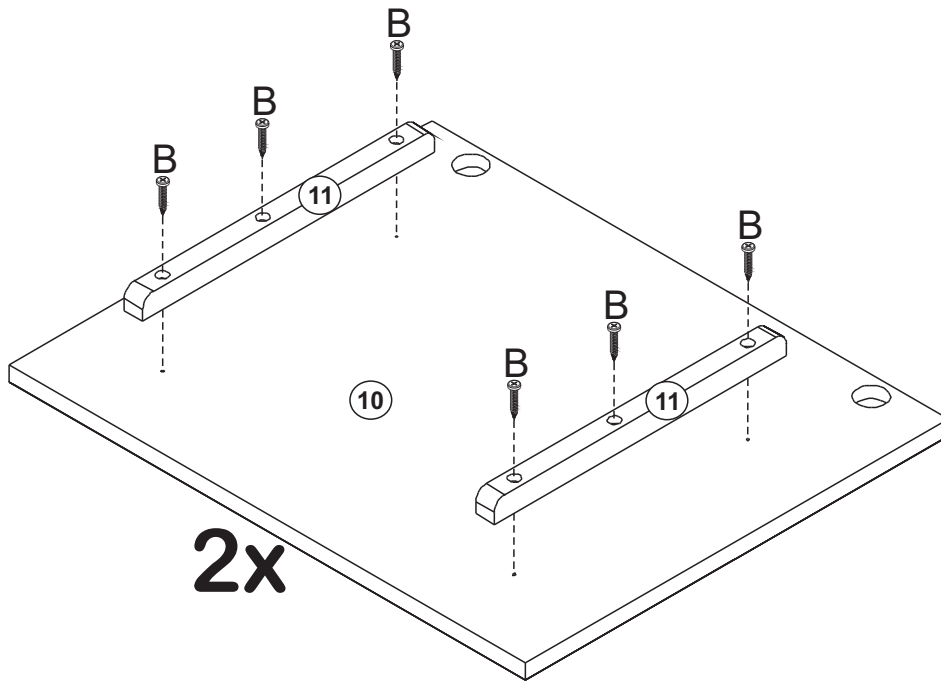
15



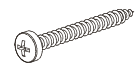
Inside the cabinet, hold wall strap in position and fix it using washer and screw, as shown.



16

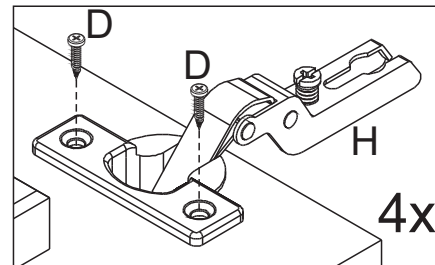
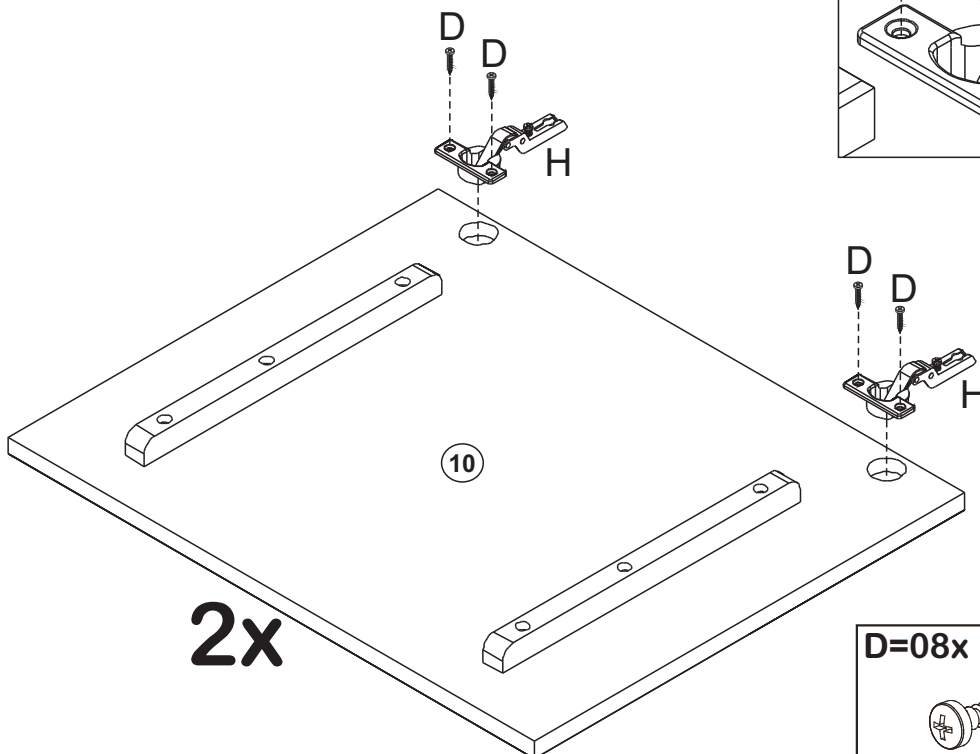


B=12x



4,0x25mm

17



D=08x

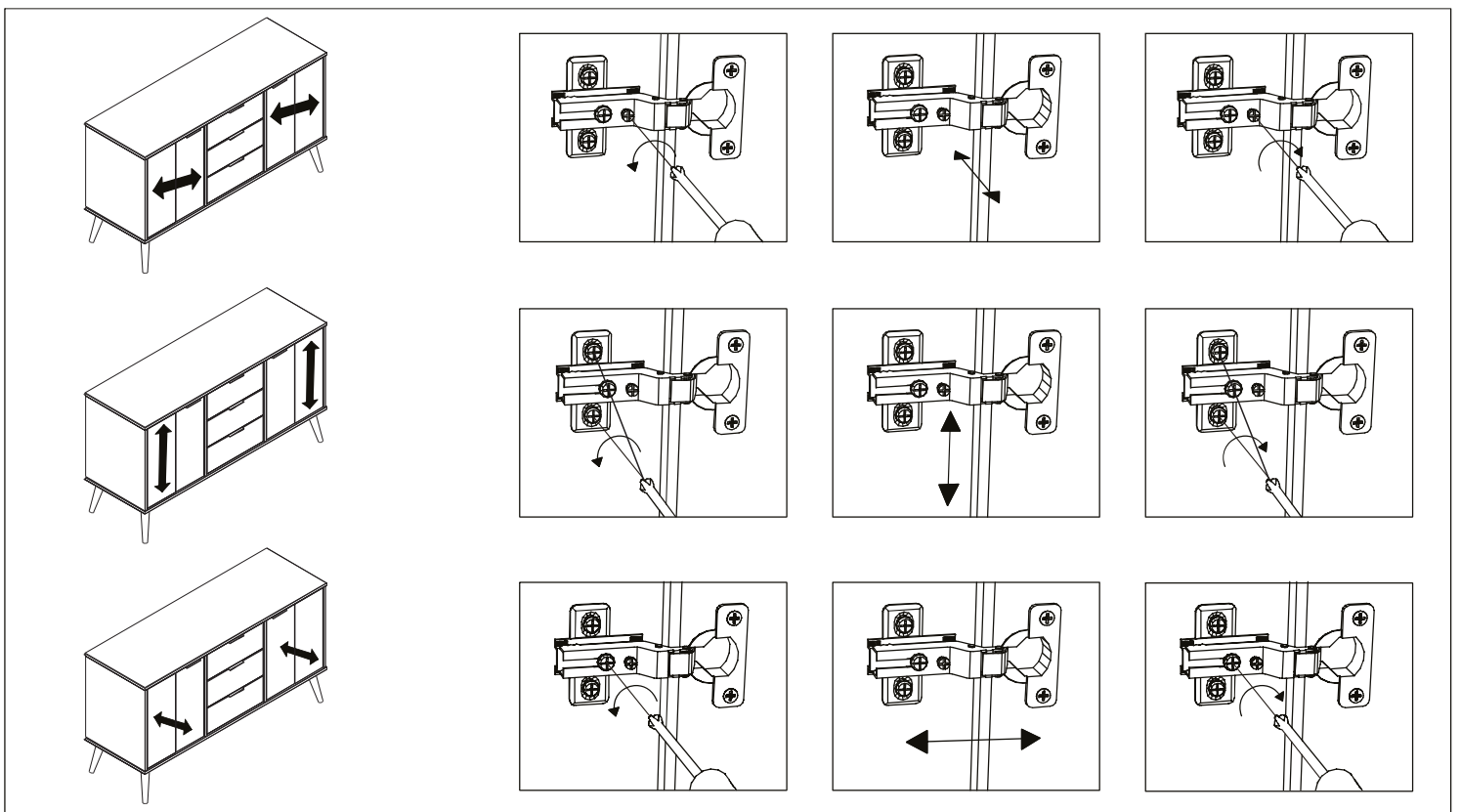
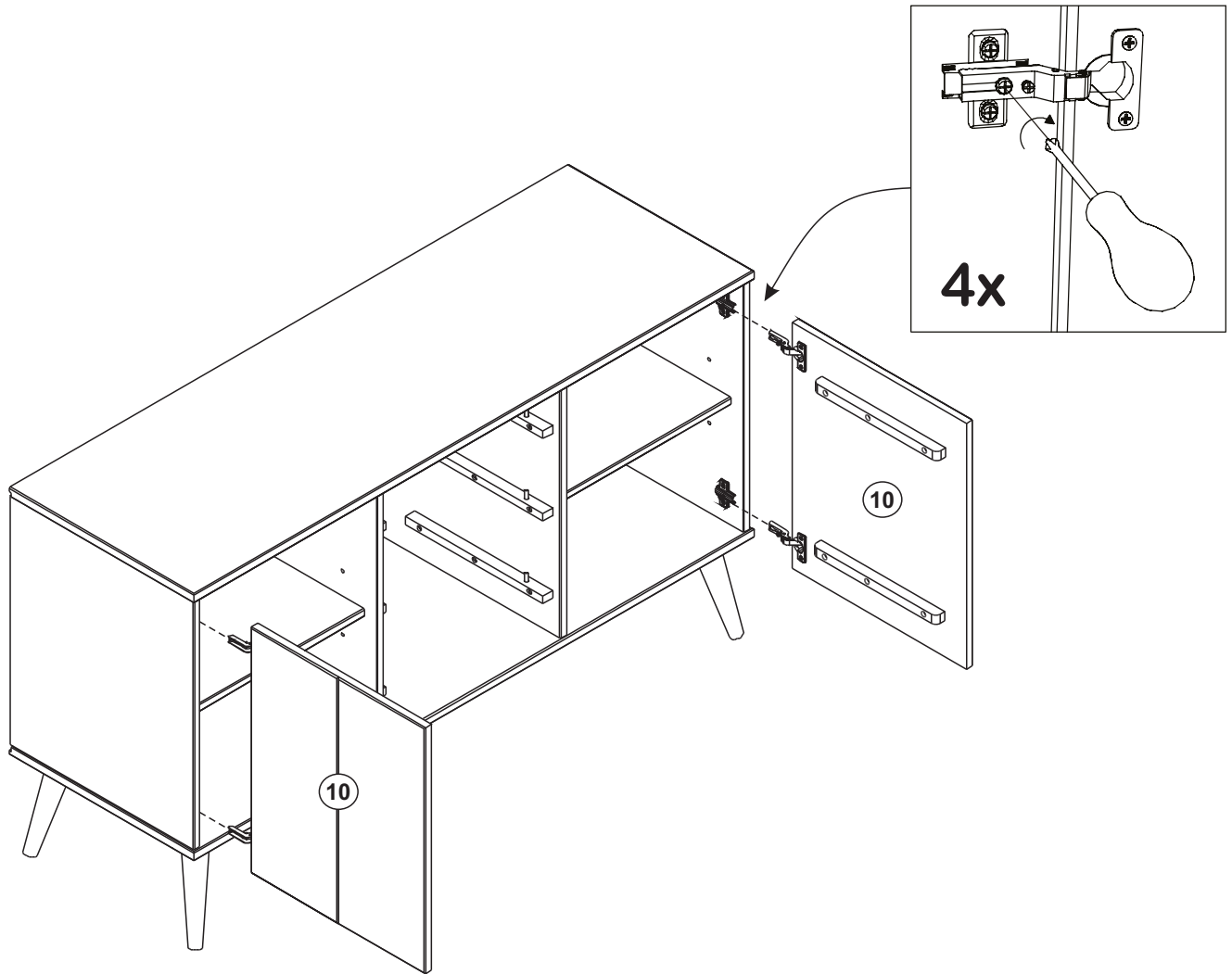


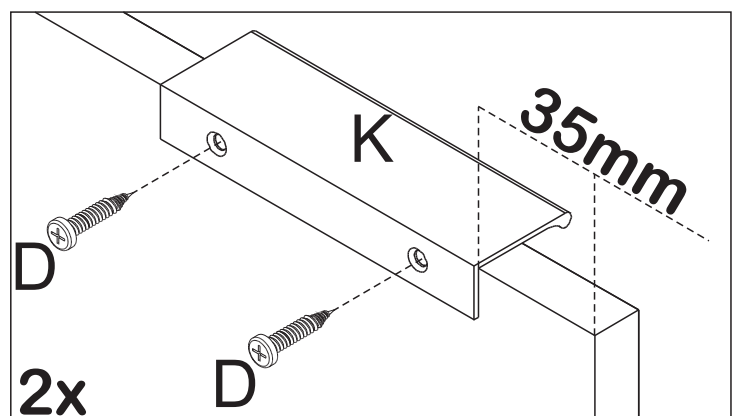
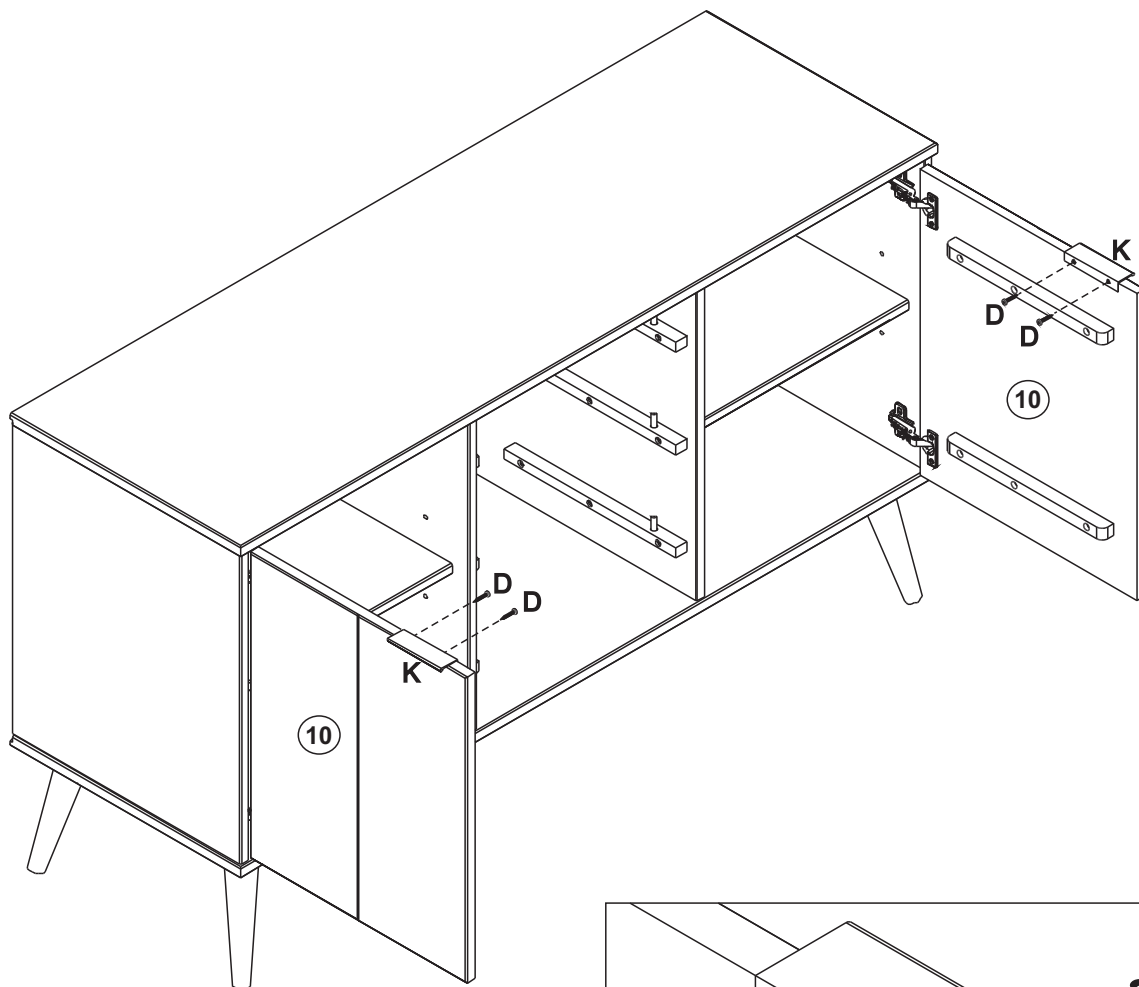
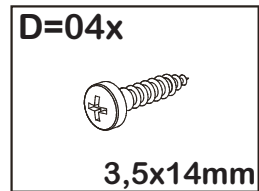
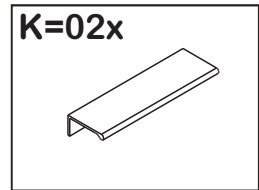
3,5x14mm

H=04x



26mm





22

