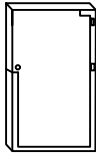
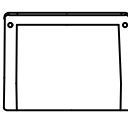
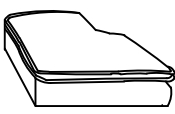
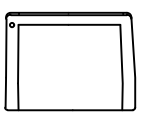

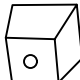


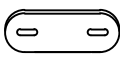






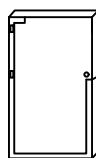
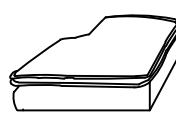
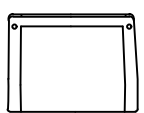
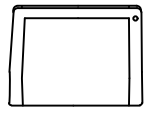




Installation & Assembly

Accessories list (sitting sofa)

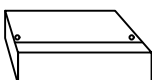
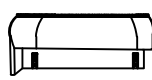
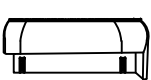



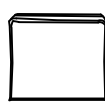

Carton 1/3

<p>A</p>  <p>Left seat frame(1)</p>	<p>B</p>  <p>Backrest(1)</p>	<p>C</p>  <p>Left seat cushion (1)</p>	<p>D</p>  <p>Left backrest(1)</p>	<p>①</p>  <p>U connector(3)</p>
<p>②</p>  <p>Sofa legs(16)</p>	<p>③</p>  <p>8*55 Screw(16)</p>	<p>④</p>  <p>M5*105*55mm Wrench(1)</p>	<p>⑤</p>  <p>50 Metal plate(3)</p>	<p>⑥</p>  <p>6*25 Screw(6)</p>
<p>⑦</p>  <p>6*16 Gasket(6)</p>	<p>⑧</p>  <p>M4*100*35 Wrench(1)</p>	<p>⑨</p>  <p>17mm Gasket(16)</p>		

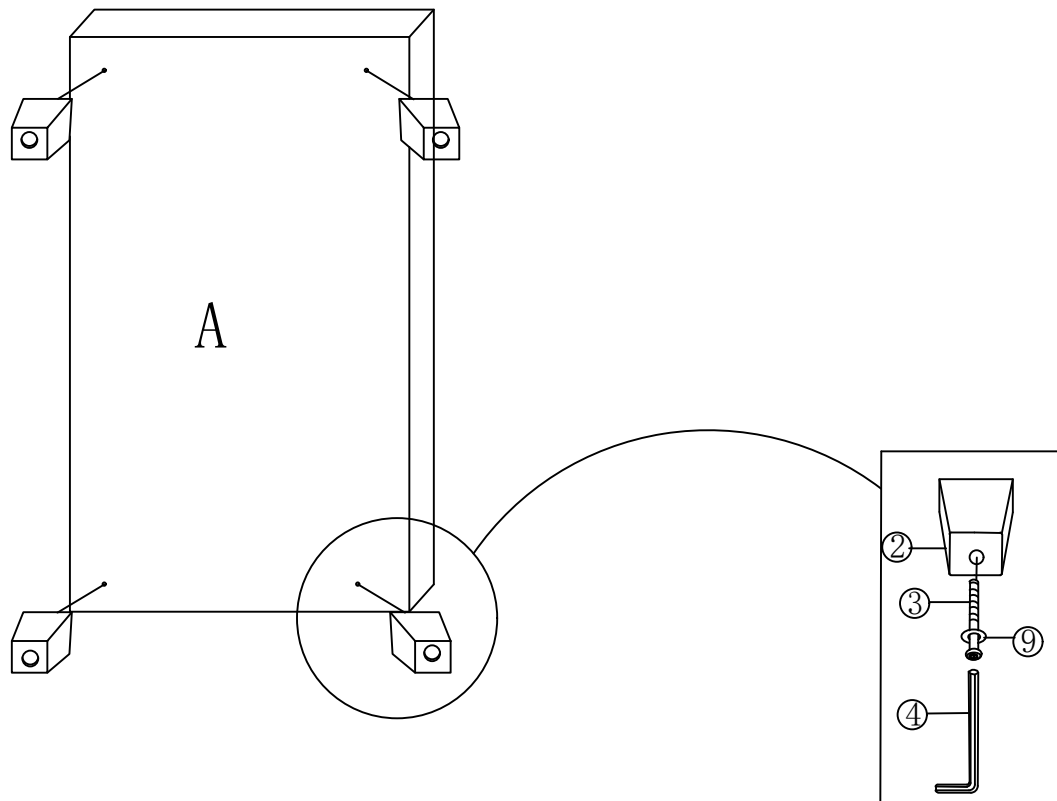
Carton 2/3

<p>E</p>  <p>Right seat frame(1)</p>	<p>F</p>  <p>Right seat cushion(1)</p>	<p>G</p>  <p>Backrest(1)</p>	<p>H</p>  <p>Right backrest(1)</p>	<p>⑨</p>  <p>Hardware(8)</p>
<p>⑪</p>  <p>M4*100*65 Wrench(1)</p>	<p>⑫</p>  <p>6*40 Screw(32)</p>	<p>⑬</p>  <p>6*16 Gasket(32)</p>		

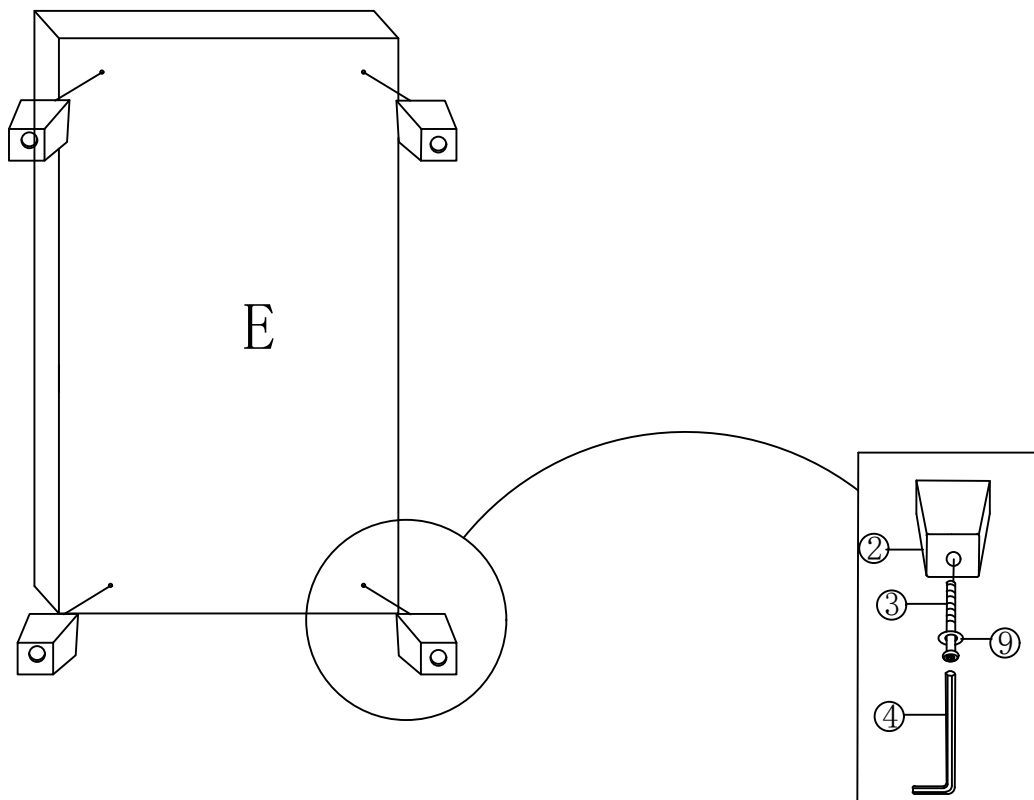
Carton 3/3

<p>I</p>  <p>Single seat frame(2)</p>	<p>L</p>  <p>Left armrest(1)</p>	<p>R</p>  <p>Right armrest(1)</p>	<p>J</p>  <p>Left armrest soft bag(1)</p>	<p>K</p>  <p>Right armrest soft bag(1)</p>
<p>N</p>  <p>Seat cushion(2)</p>	<p>O</p>  <p>Backrest cushion(4)</p>	<p>P</p>  <p>Pillow(4)</p>		

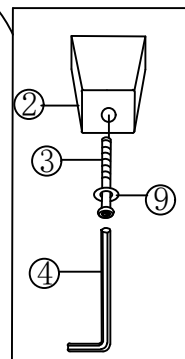
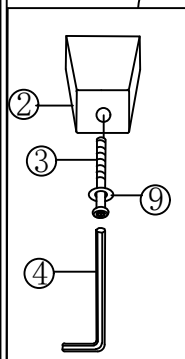
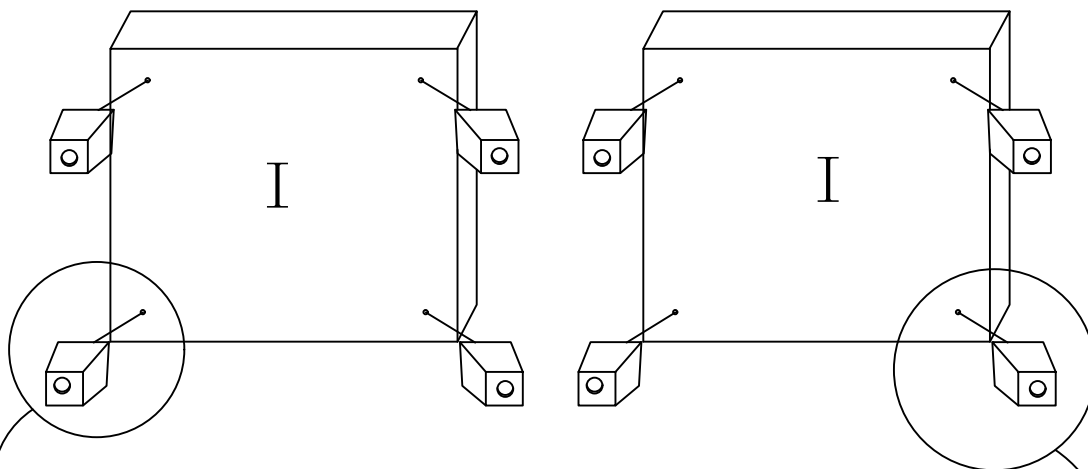
STEP1: Install the sofa legs (part 2) to the left seat frame (part A)



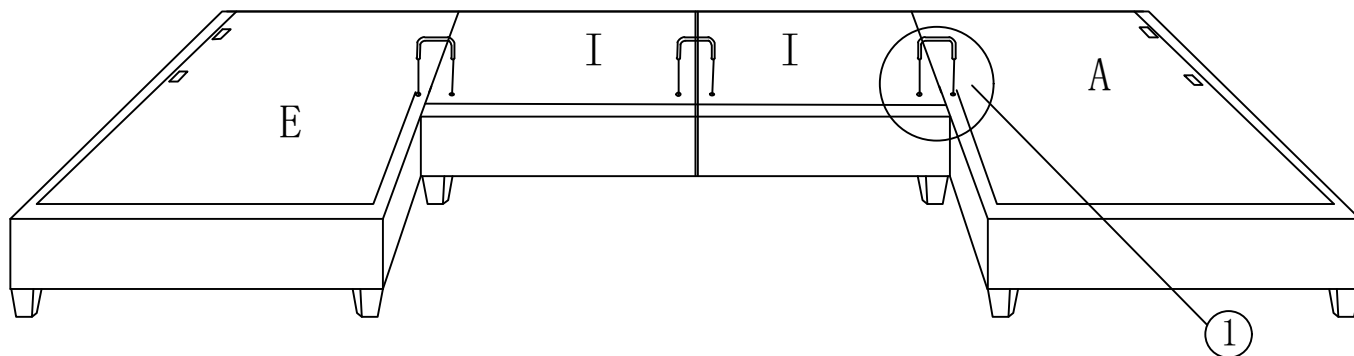
STEP2: Install the sofa legs (part 2) to the right seat frame (part E)



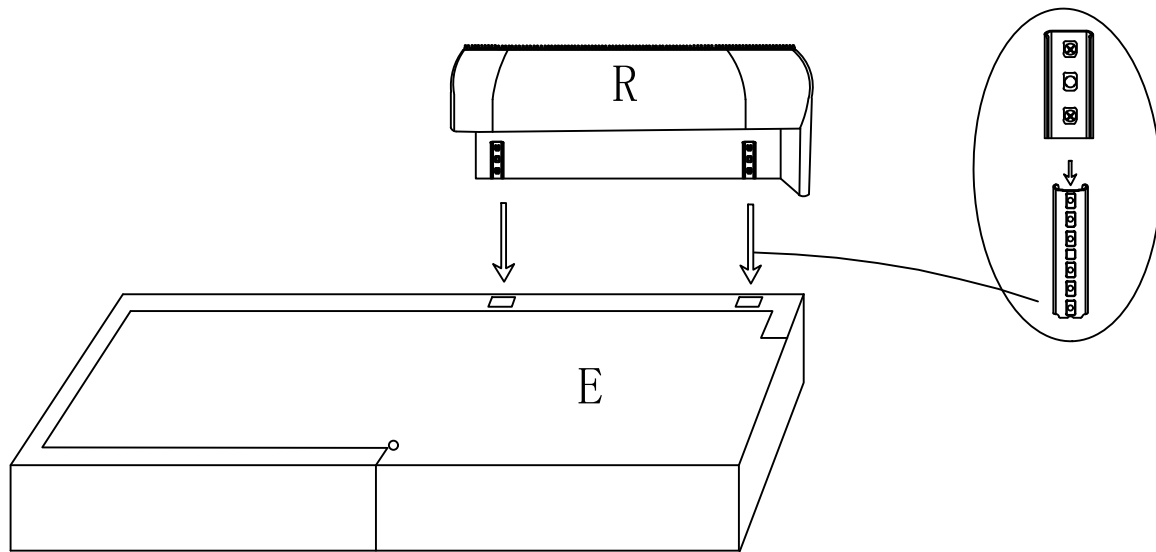
STEP3: Install the sofa legs (part 2) to the single seat frame (part I)



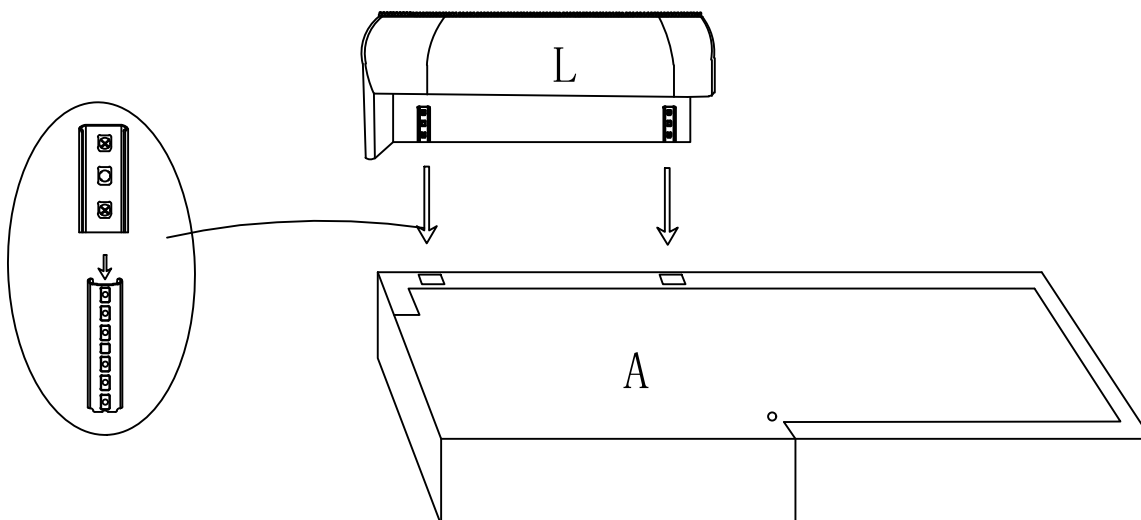
STEP4: Use the U-connector (part ①) to connect the seat frames together



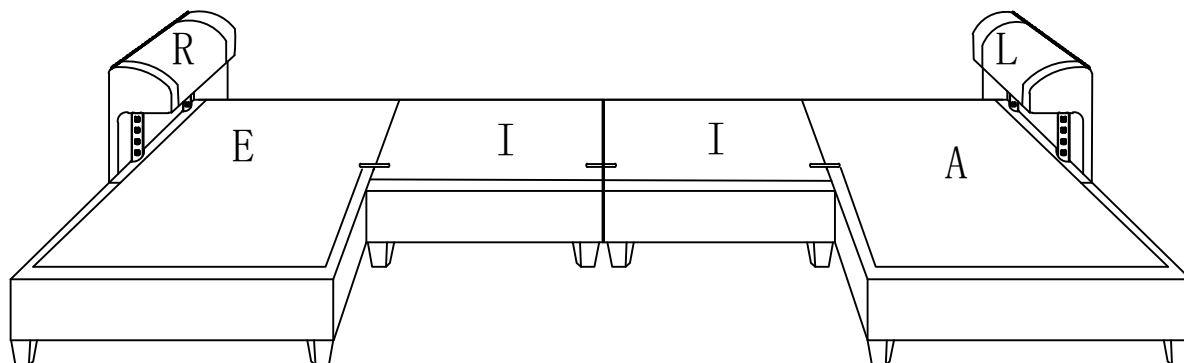
STEP5: Connect the right armrest(part R) to the right seat frame (part E) together



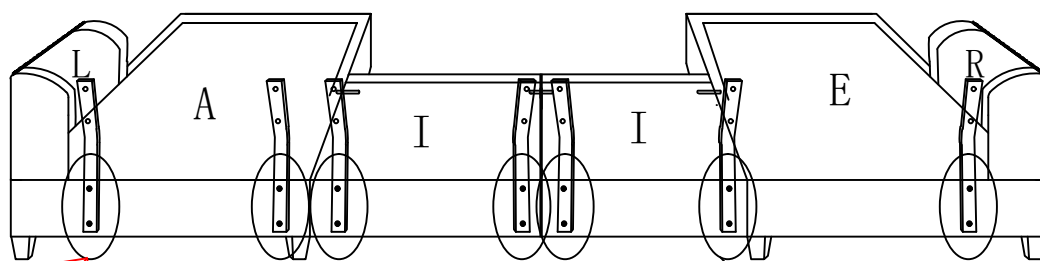
STEP6: Connect the left armrest(part L) to the left seat frame(part A)



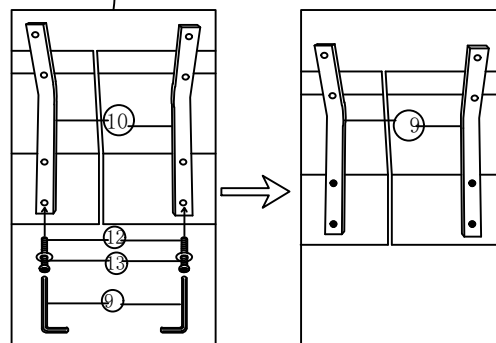
STEP7: Armrest assembly is completed



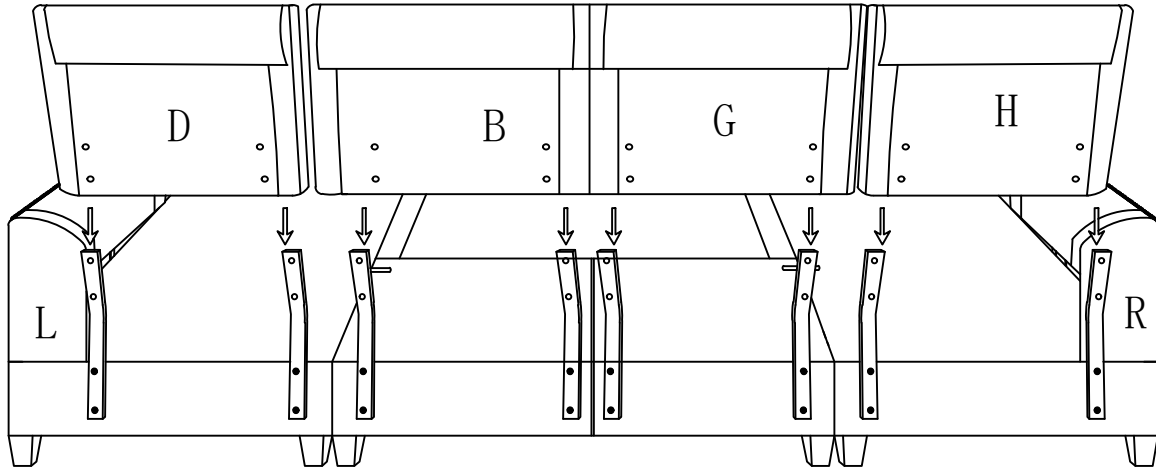
STEP8: Install backrests hardware (part 9) into the seat frame of the sofa



bottom holes

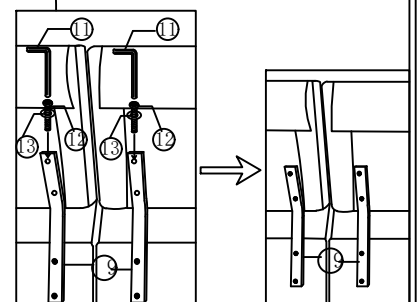
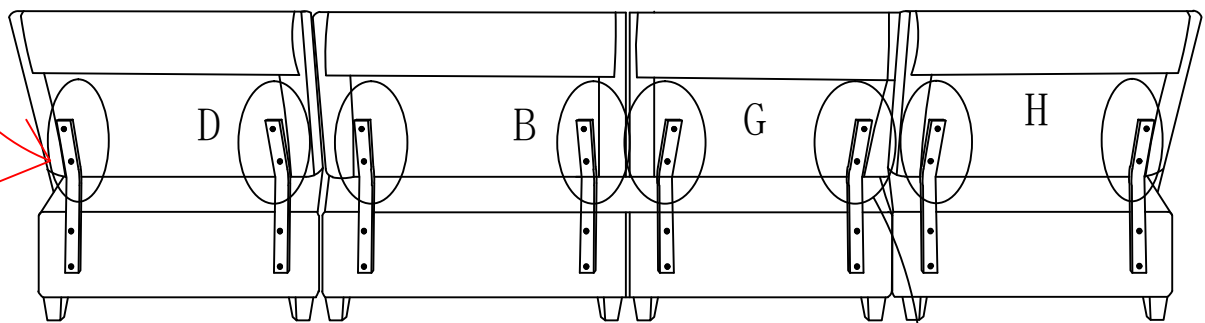


STEP9: Lower the backrests and align their holes with the holes of hardware

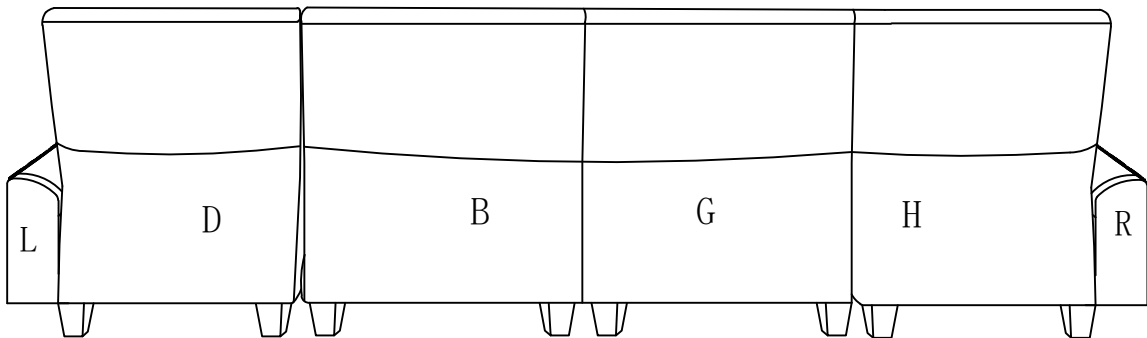
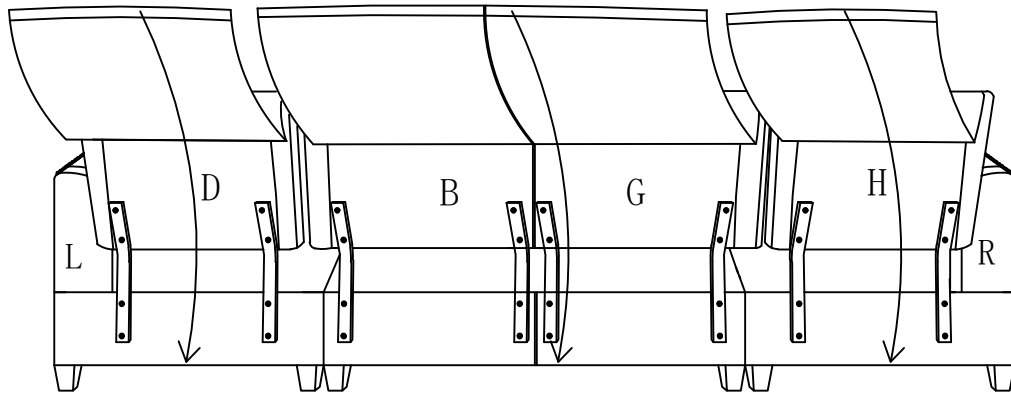


STEP10: Install backrests hardware

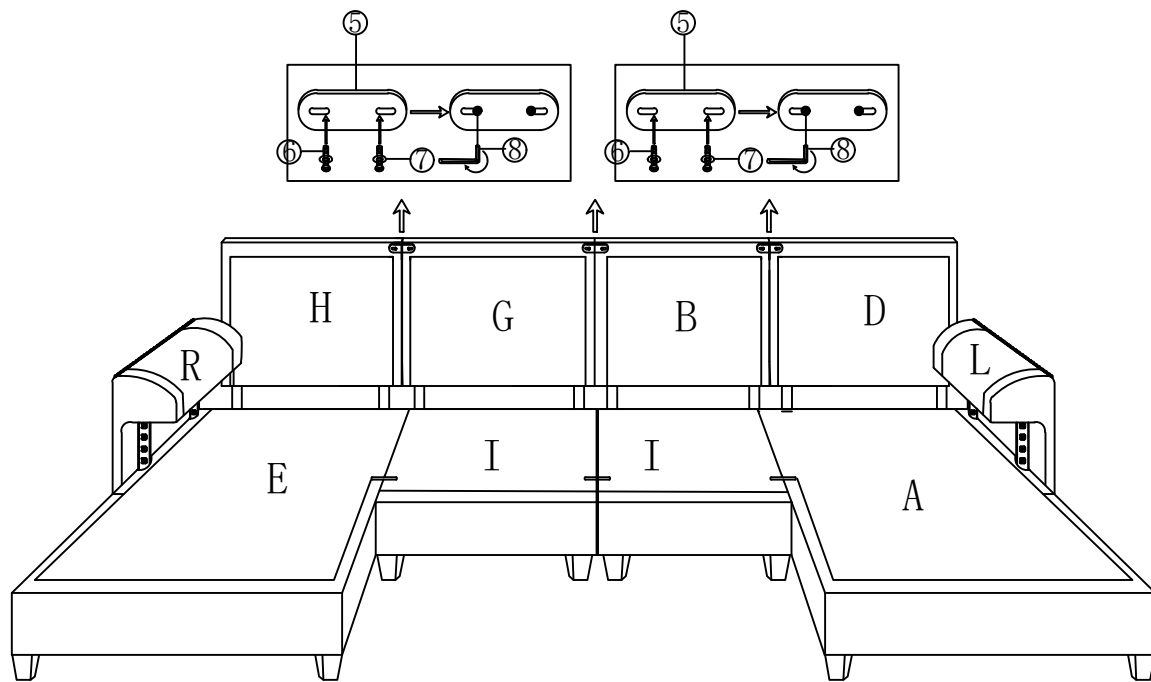
top holes



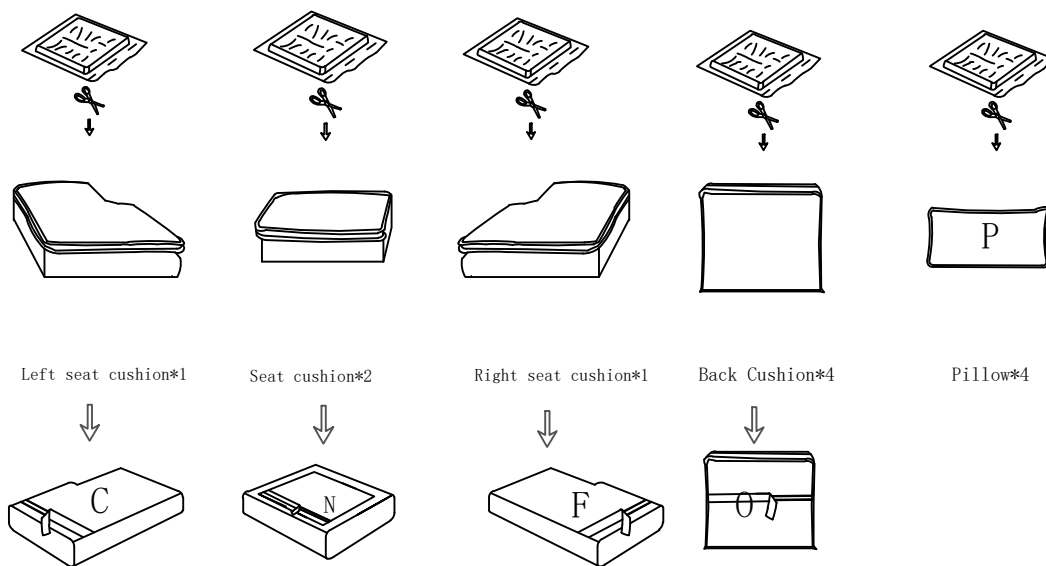
STEP11:Put down the back cloth and stick velcro to the bottom of the seat frame



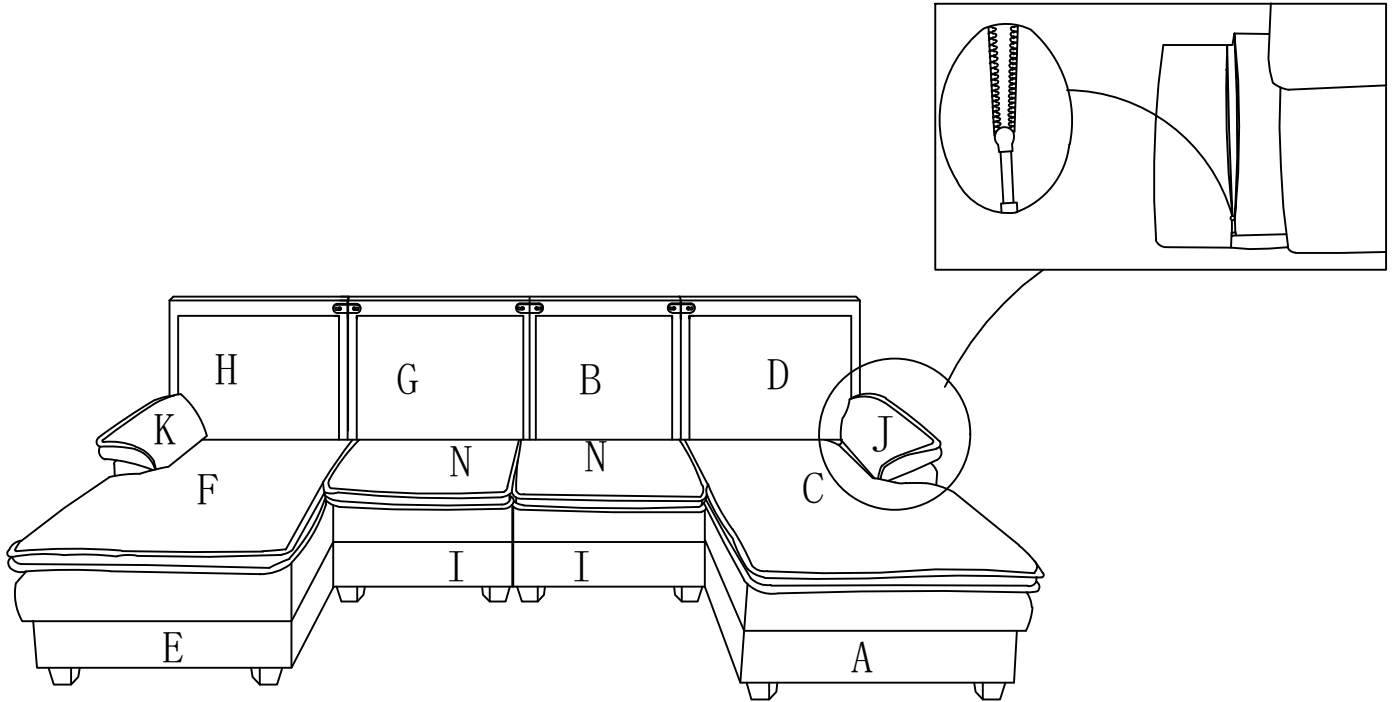
STEP12: Lock the backrest with the metal plate (part 5)



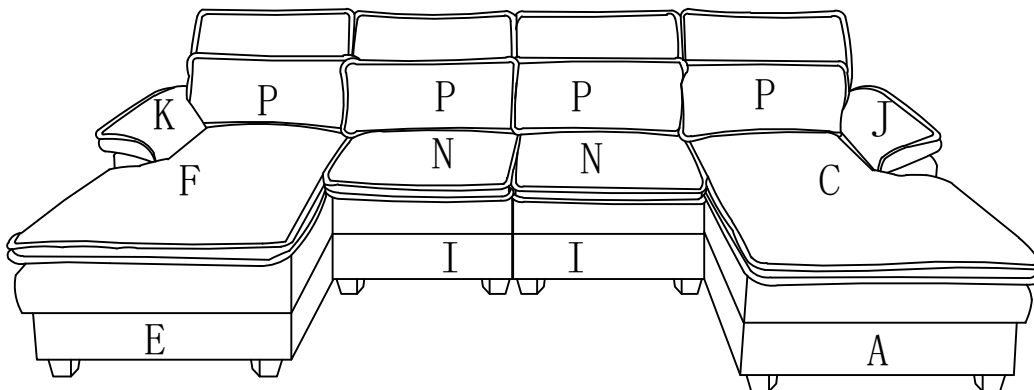
STEP13: Cutting open the compression bag



STEP14:Zip the armrest cushion to the armrest



STEP15:Put the upper seat cushion and the back cushions on and the assembly is completed



Customer Support E-mail Address: service-jarenie@hotmail.com

1、 Part F、 G、 H、 9、 11、 12、 13 in the box 2/3

2、 Part L、 R、 J、 K、 N、 O、 P in the box 3/3

3、 Part B、 C、 D、 1、 2、 3、 4、 5、 6、 7、 8、 9 in the box 1/3

