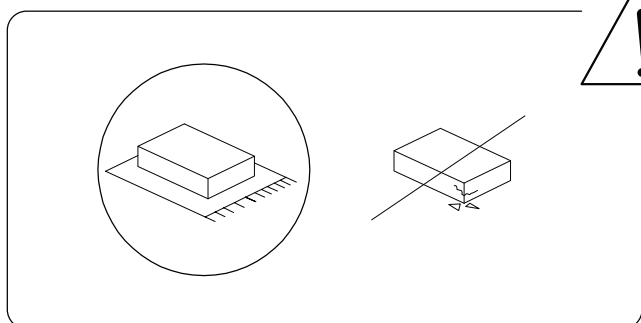
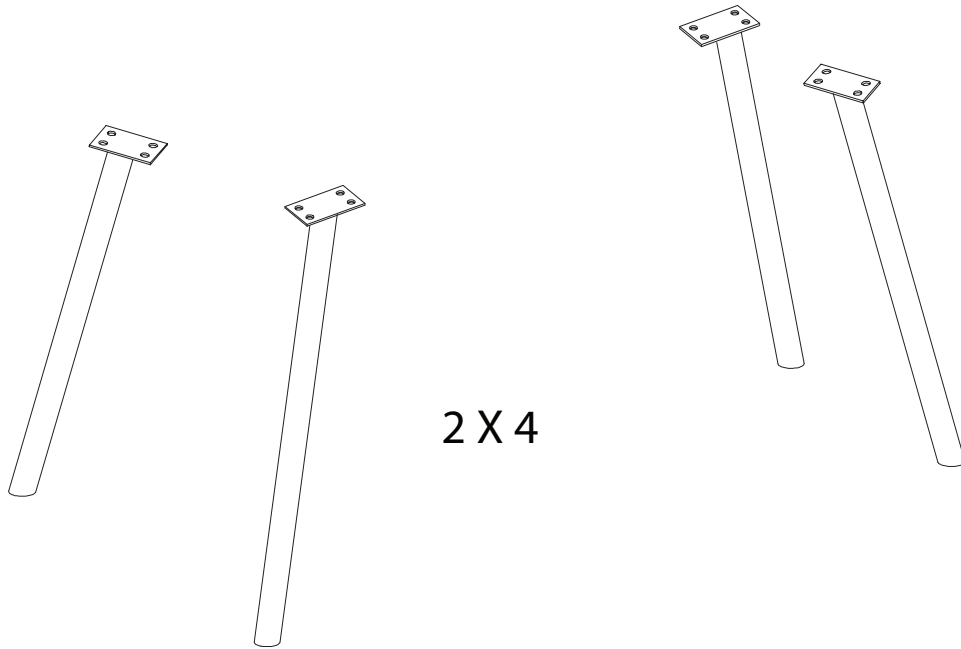
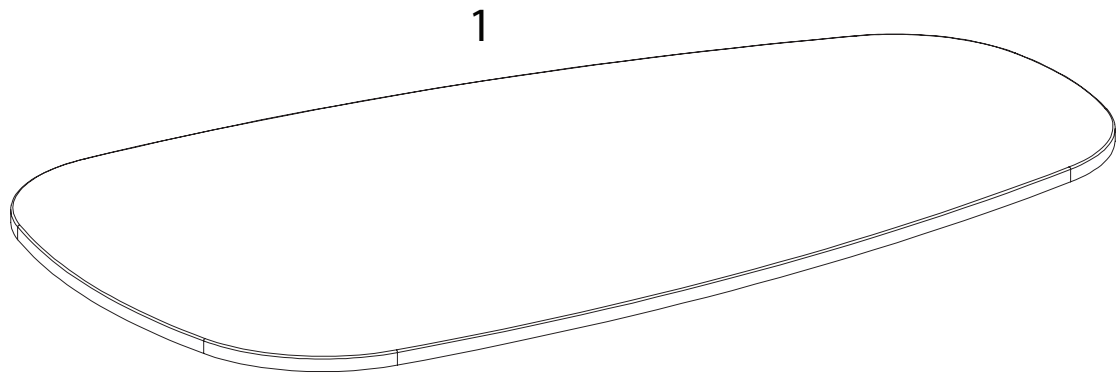


20'



1



1	2	A	B
x 1	x 4	x 16	x 1

1

