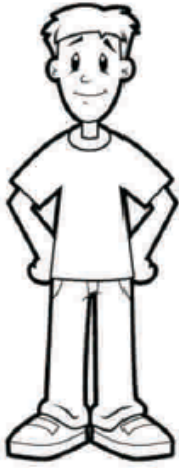


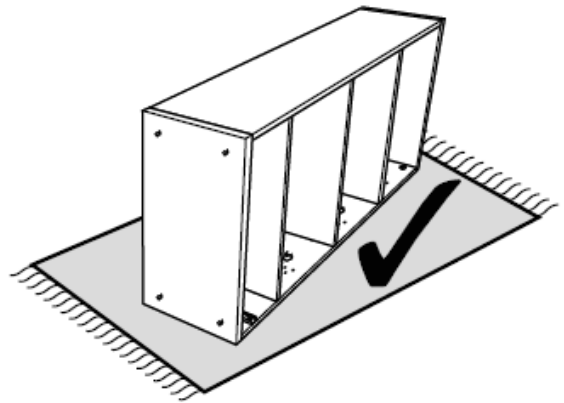
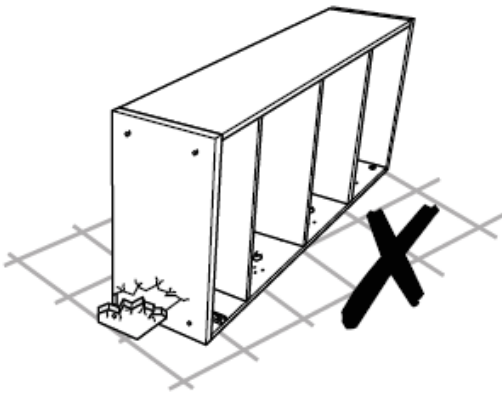
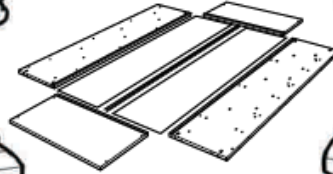
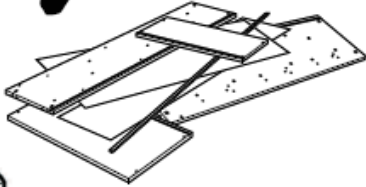
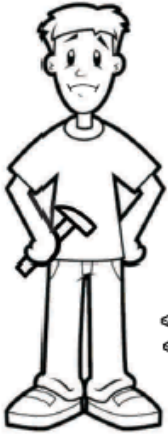
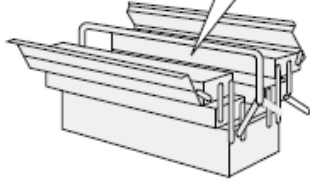
# Massage Recliner and Footstool

## Assembly Instructions





No Extra  
Tools Required



# HARDWARE



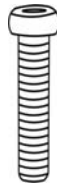
A

1X



B

18X



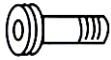
C

18X×37mm  
M8



D

8X  
M6×20mm



E

2X  
M8×25mm



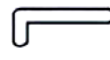
F

2X



G

1X



H

1X M5



I

1X M6



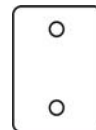
J

1X



K

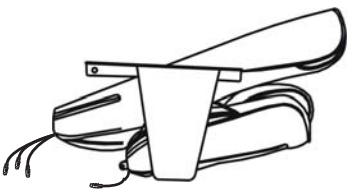
1X



L

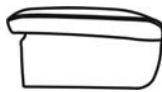
4X

# PARTS



1

1X



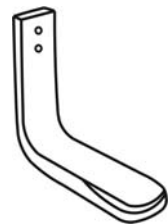
2

2X



3

4X



4

5X



5

1X



6

1X



7

1X

## **Safety Advice**

**Please take the time to carefully read through the whole of these instructions before you commence.**

Keep these instructions for future reference.

Unpack, inspect and check off all of the contents.

Please dispose of all packaging safely.

Small component parts could choke a child if swallowed.

We strongly recommend that you keep children well away from the work area.

It would be sensible to lay a sheet or blanket on the floor where you intend to work to avoid scratching this product and to protect your floor.

This product is heavy. Take extreme care when lifting to avoid personal injury or damage to the product.

Assemble the product as close to its intended final position in the room as possible.

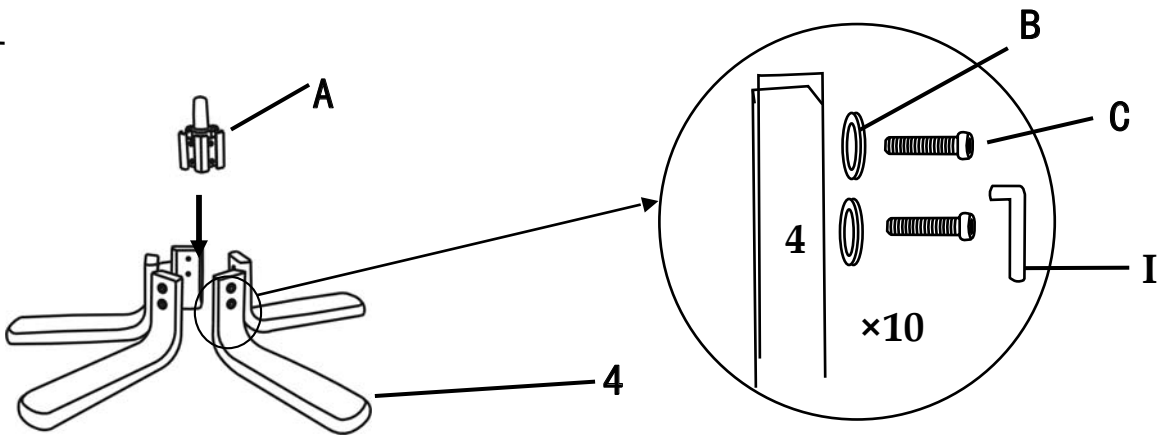
**HANDY HINT:** If you keep the hardware in a bowl during assembly you will be less likely to lose them.

The weight limit for this armchair is 18 stone (115kg).

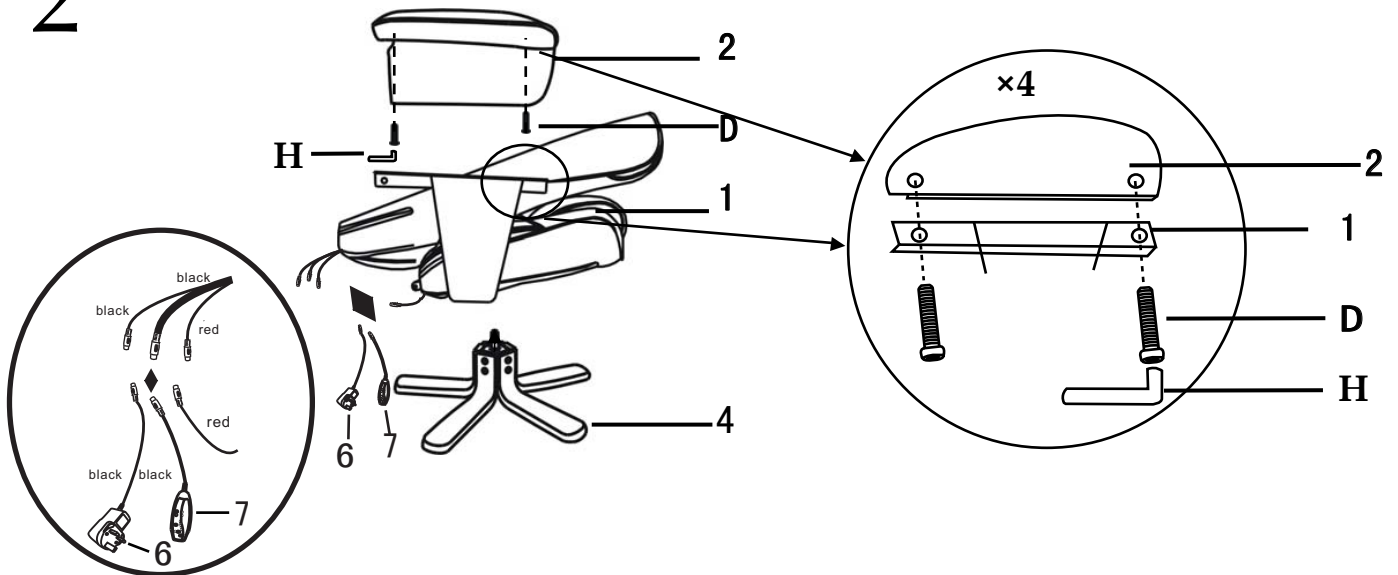


# Chair Assembly

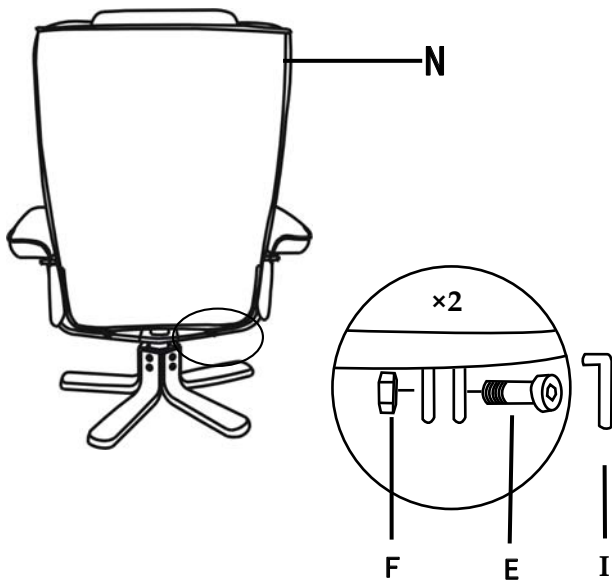
1



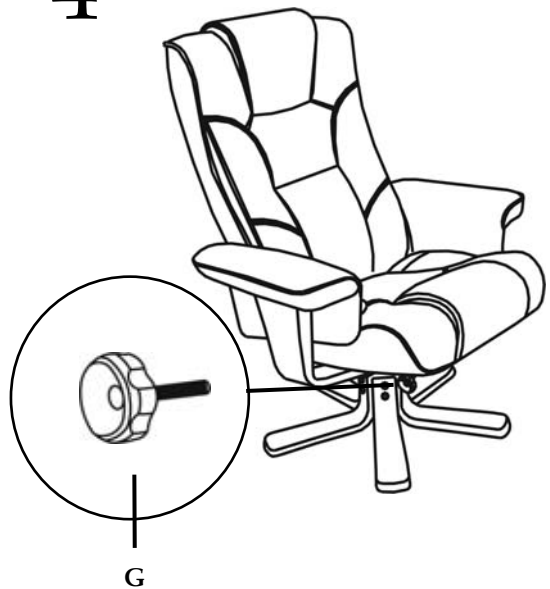
2



3

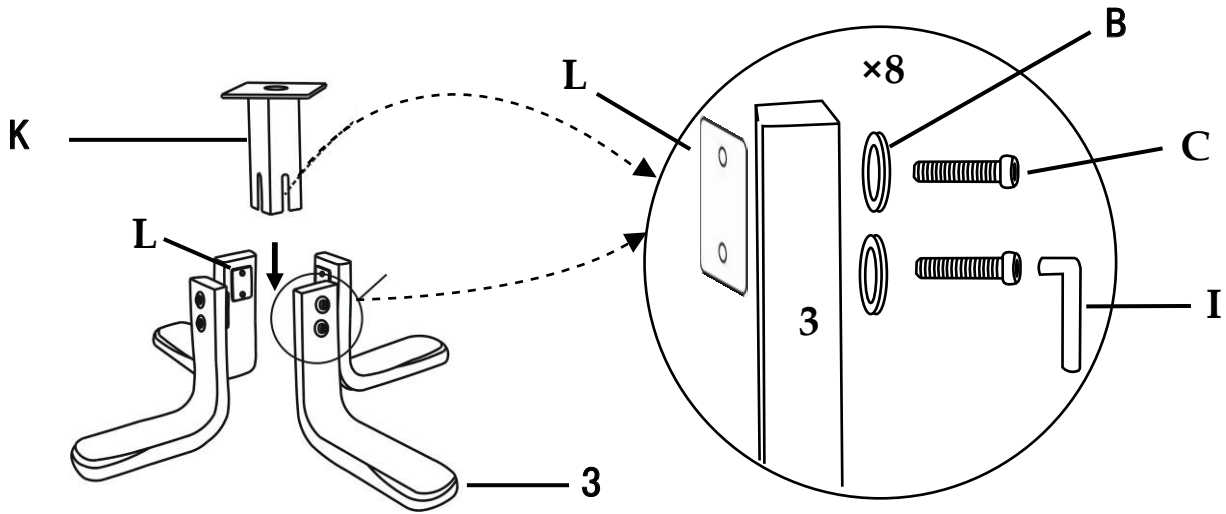


4

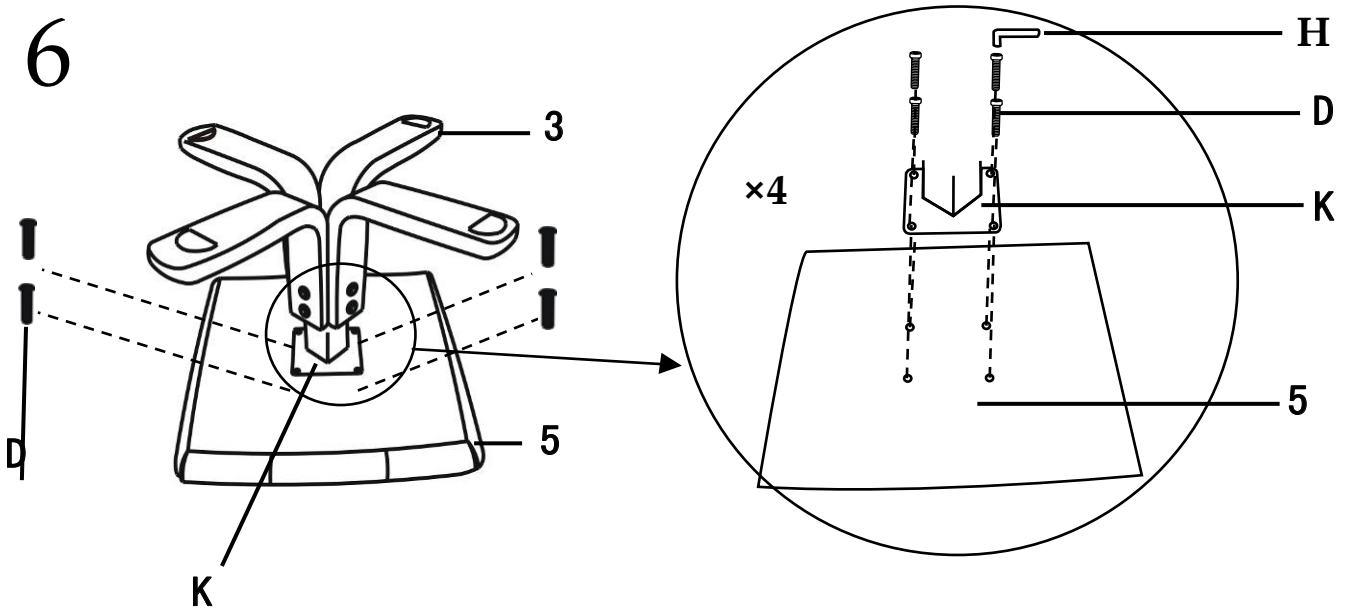


# Stool Assembly

5



6

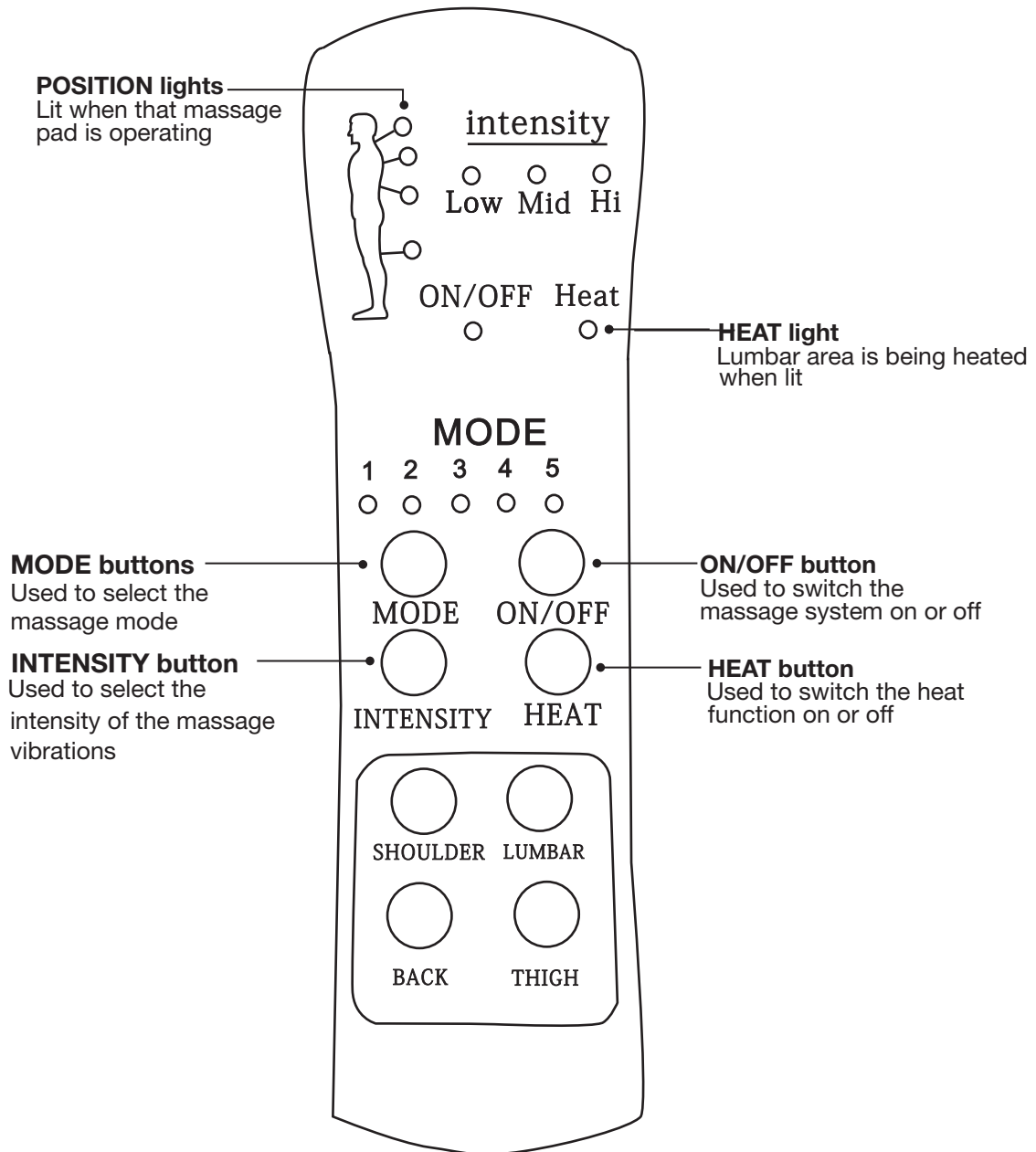


7



Your Malmo Recliner and Footstool are now ready for use.

## Massage Chair Functions



- Press the ON/OFF button to switch the massage unit on. The massage unit will start in Mode 1 and will automatically shut down after 15 minutes if no other button is pressed. Press the ON/OFF button again whilst in the massage mode to switch off the unit.
- Press the HEAT button to switch the heat function on. The HEAT light will be lit when this function is on. Press the HEAT button again to switch the heat function off.
- Press the MODE button to select the massage mode. The current massage mode is shown by one of the five MODE lights being illuminated.
- Press the INTENSITY button to increase the intensity of the massage vibrations. After pressing the button, the new intensity will be shown momentarily by illuminating of the INTENSITY lights. Once the intensity is at maximum, pressing the button again will reset the intensity to it's lowest level.

## Care and Maintenance

### Storage:

- Keep the massage chair dry and clean. Use a dust sheet to protect the massage chair if it will not be used for a long period.
- Do not expose the chair to strong sunlight or high temperatures, as this could cause the fabric to fade.
- When not in use, switch the massage unit off and disconnect from the mains.
- Do not put any heavy articles on to the armrests or footstool as this could damage the armchair and/or cause it to become unstable.

### Cleaning:

- Do not rub the surface of the chair with hard or coarse objects.
- The wooden parts of the chair may be cleaned with a duster or dry cloth. Polish should not be used as this can cause abrasion of the wood.
- Use a damp cloth to clean the fabric upholstery and steel frame then wipe over with a dry cloth to remove any moisture.
- Only use a dry cloth to wipe the handset.

## Fair Wear and Tear Policy

**Your new recliner is covered by a 12 month manufacturers warranty.**

**This warrant does not cover the following:**

- Damage from misuse, and use over the specified weight limit.
- Material fading over time or through sunlight.
- Damage from spills or leaks.
- Collision damage (rubbing against walls, etc).
- Accidental tears and damage.
- Cigarette and match burns.



### Disposal and the environment

This product is covered by the waste electrical and electronic equipment (WEEE) regulations. It should not be discarded with normal household waste, but taken to your local collection centre for recycling. For further information, please contact the local authority or approved disposal agency.

## General Care

Wipe clean with a slightly damp soft cloth.

Avoid the use of all household cleaners and abrasives.

When moving your furniture, carefully lift into place.

Never drag or push the pieces across the floor as this will cause damage to the joints and could result in failure to the product that will invalidate the warranty.

## Recommendations

Periodical re-tightening of fixings.

## Warning

This unit is heavy. Please use an assistant when lifting.