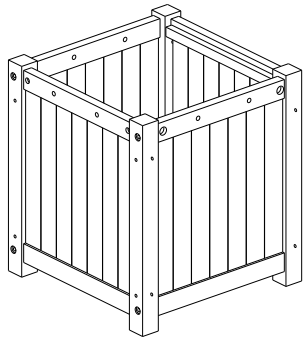
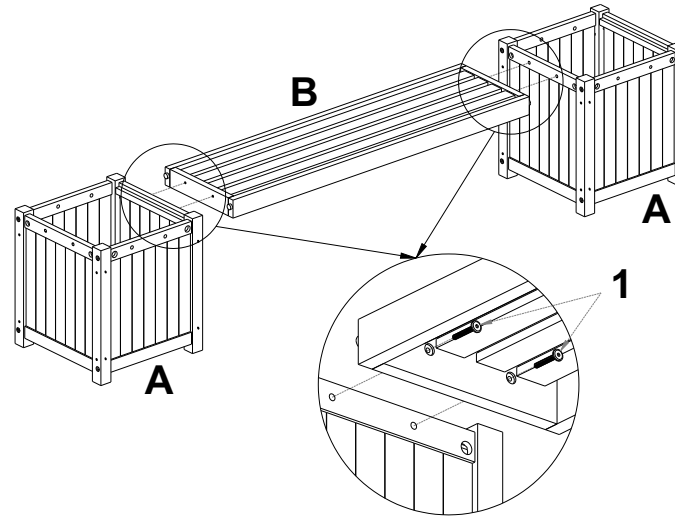


ASSEMBLY INSTRUCTIONS

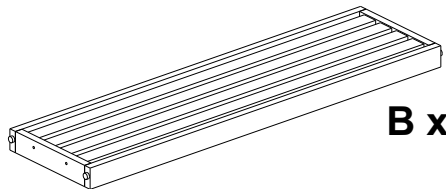


A x 2

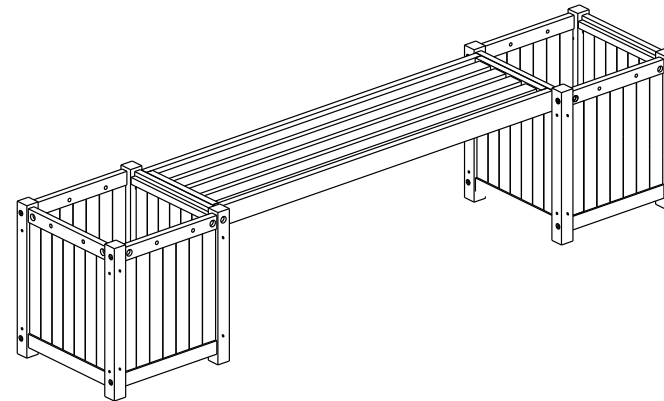
1



2



B x 1



1  x 4
M6 x 40

2  x 1
M4