



ASSEMBLY INSTRUCTION & PARTS IDENTIFICATION SEQUOIA DINING TABLE

Thank you for purchasing this quality product. Be sure to check all packing material carefully for small parts that may have come loose inside the carton during shipment.

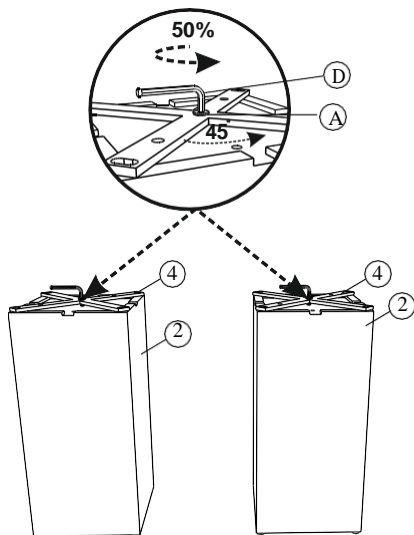
| TABLE COMPONENTS | | | |
|------------------|--------------|-------|--------------------------|
| No | | Qty | Description |
| 1 | | 1 Pcs | Sequoia Dining Table Top |
| 2 | | 2 Pcs | Sequoia Base Pedestal |
| 3 | | 8 Pcs | Felt Pad |
| 4 | 2351-79BP02B | 2 Pcs | Metal Attachment Plate |

| TABLE HARDWARE KIT | | | NOTE: |
|--------------------|---|--------------------------|-------|
| No. | | Description | Qty |
| A |  | CSK Allen Bolt M8 x 25mm | 6 Pcs |
| B |  | JCB Allen Bolt M8 x 25mm | 8 Pcs |
| C |  | Flat Washer | 8 Pcs |
| D |  | Allen Key | 1 Pcs |

Two people are required to set up this table
Two base cartons required for the table
Do not transport the table with the pedestals attached.

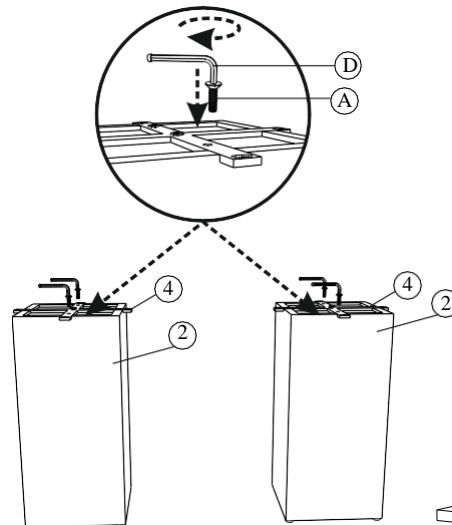
STEP 1

Loosen the center bolt holding the attachment plate in place. Rotate the attachment plate to fit into the notched groove.



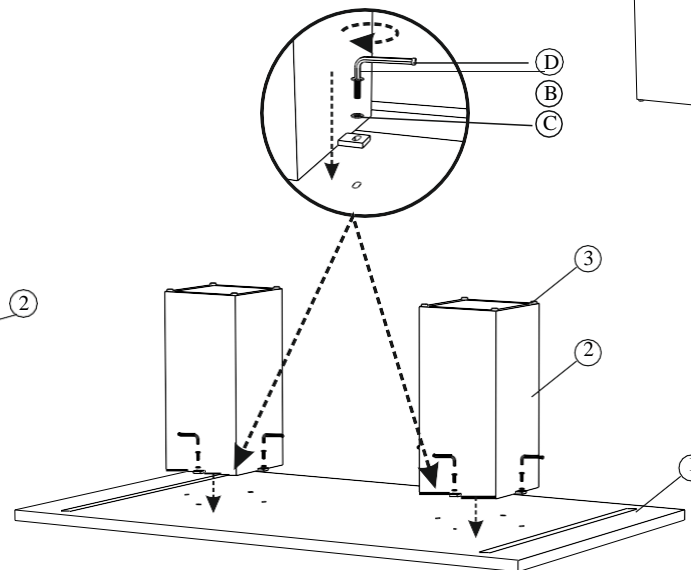
STEP 2

Secure the metal attachment plate to the base using the Bolt A and hand tightening all bolt with the provided Allen Key.



STEP 3

Attach the two bases to the tabletop using a Bolt and Flat Washer. Once all bolts are in place, fully tighten all bolts with provided Allen Key.



STEP 4

With the second person, carefully turn the table right side up.

