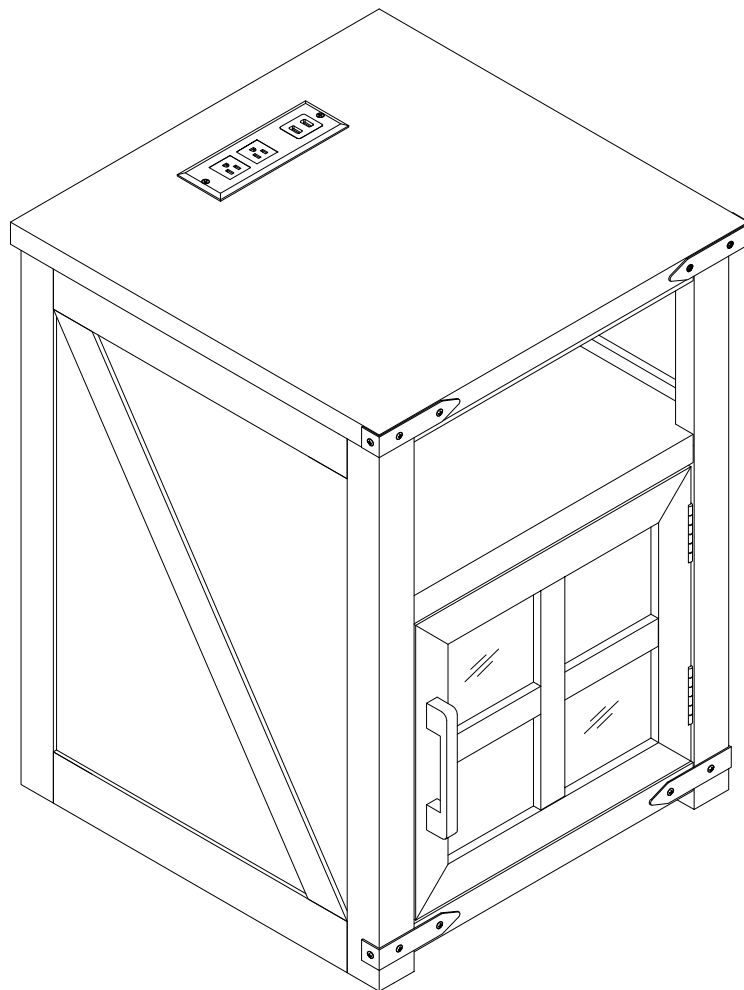


# Assembling Instruction

## Generating Drawings



### ATTENTION

If there is any missing, please kindly send us messages to let us know the name of missing part regarding to the first page of instructions.

Please also provide us your full address so we can send replacement to you as soon as possible

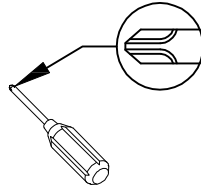
We are concerned about each customer's experience, if there is any loss or damage, please contact us at any time, we will provide effective solutions.

Please attach your Order ID so that we can assist you better

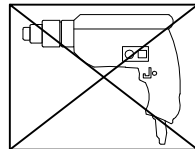


# General Assembly Guidelines

- I. Ensure that all Parts and hardware are available before beginning assembly.
- II. Follow each step carefully to ensure the proper assembly of this Product.
- III. Two People are recommended for ease in the assembly of this Product.
- IV. The three main types of hardware used to assemble this Product are : wood dowels , screws and bolts.
- VI. A Phillips head screwdriver is required for the assembly of this Product .

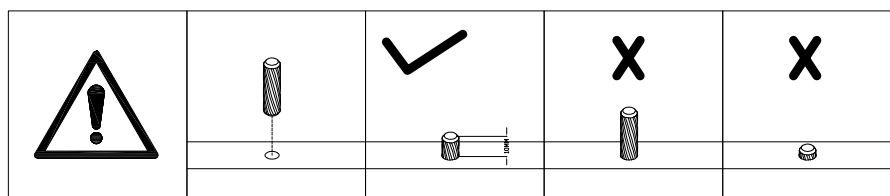
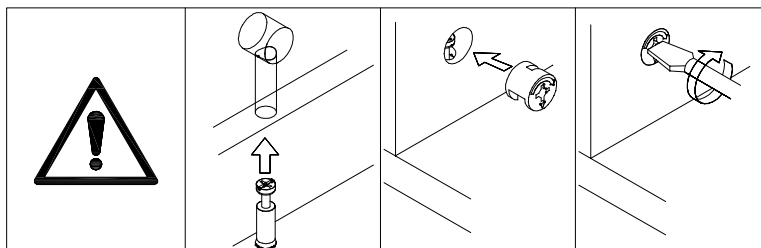
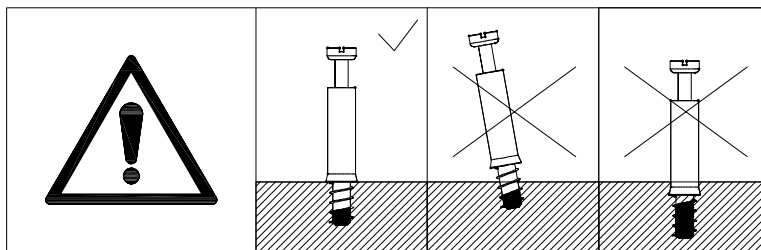


- VII. Power tools should not be used to assemble this Product .

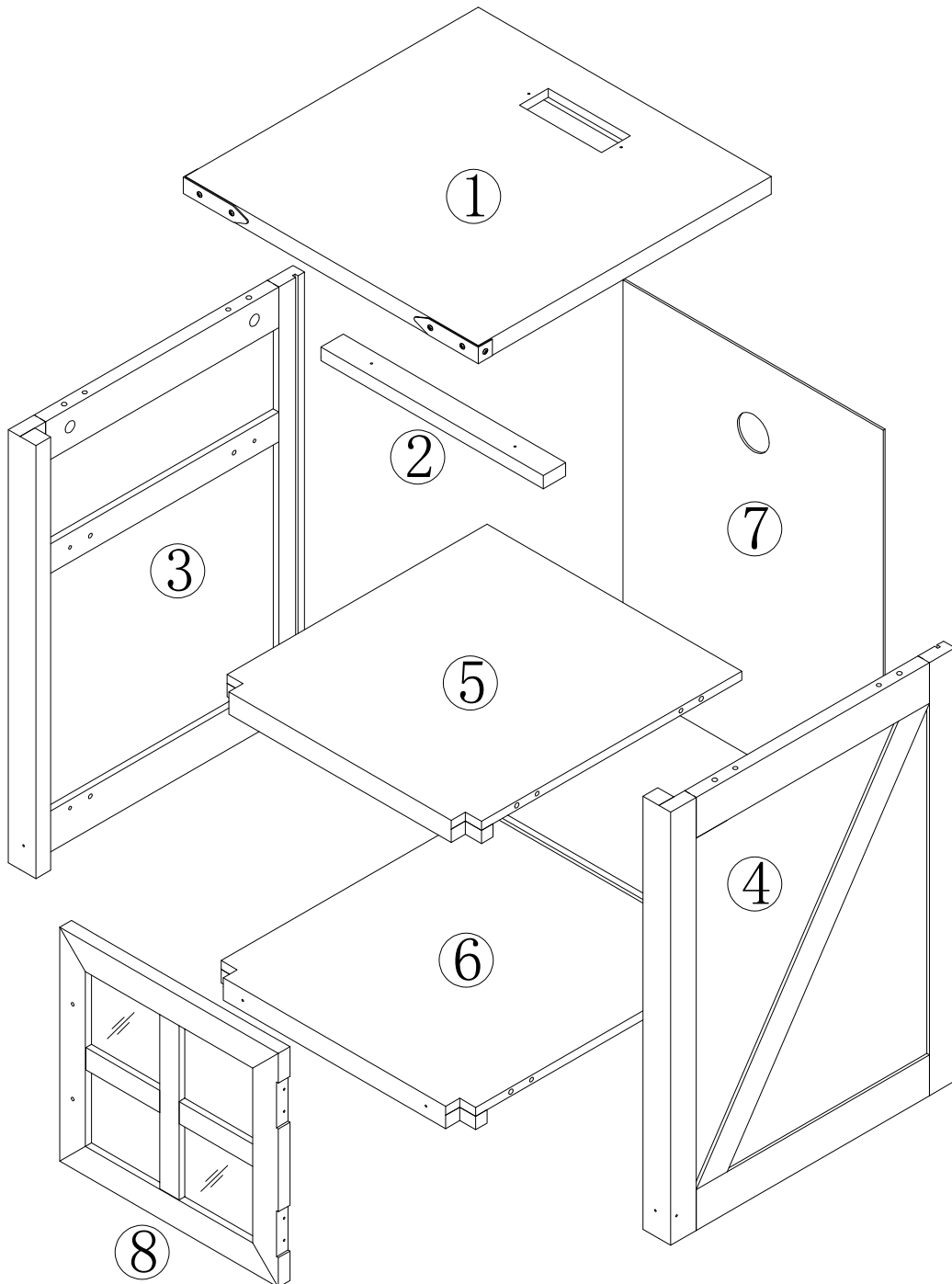


## CAM LOCK/BOLT FASTENING INTRODUCTION

(You will use it during assembly)



# Parts List



# HARDWARE PACK CONTENT

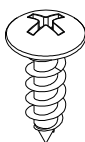
**A**



φ6\*32mm

12X + 1

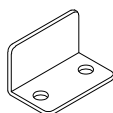
**B**



φ3\*12mm

2X

**C**



1X

**D**



φ6\*30mm

12X + 1

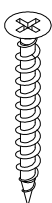
**E**



φ15\*9.5mm

12X + 1

**F**



φ4\*25mm

2X

**G**



4X

**H**



φ3\*15mm

6X + 1

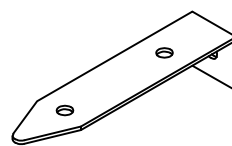
**I**



φ4\*12mm

6X + 1

**J**



2X

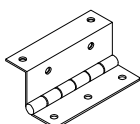
**K**



φ3\*15mm

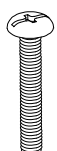
14X + 2

**L**



2X

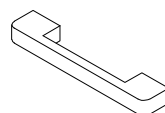
**M**



M4\*22mm

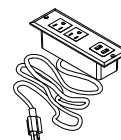
2X

**N**




1X

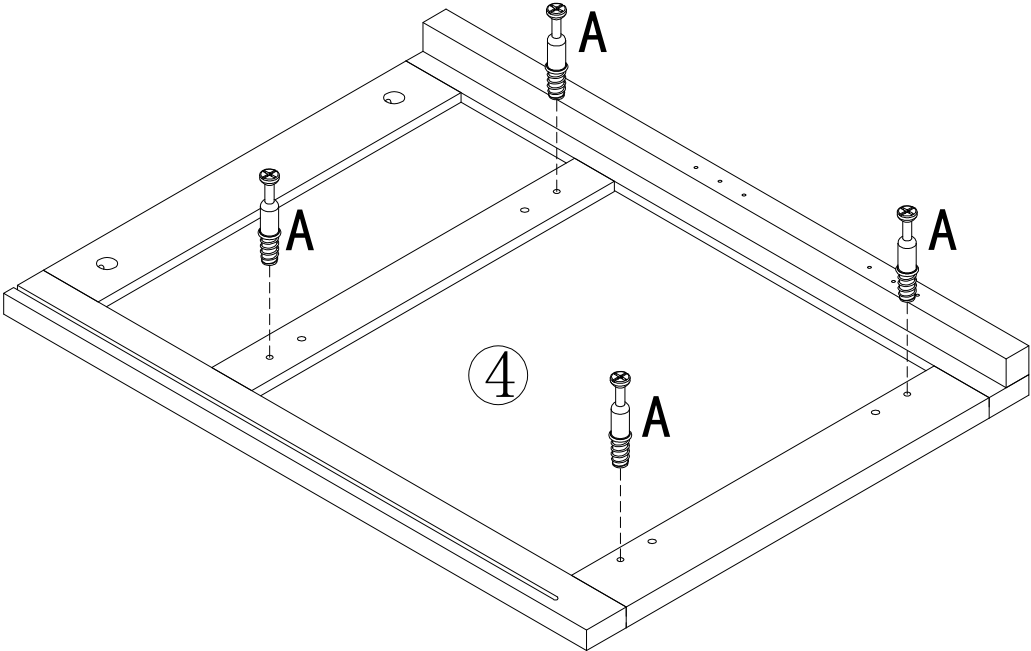
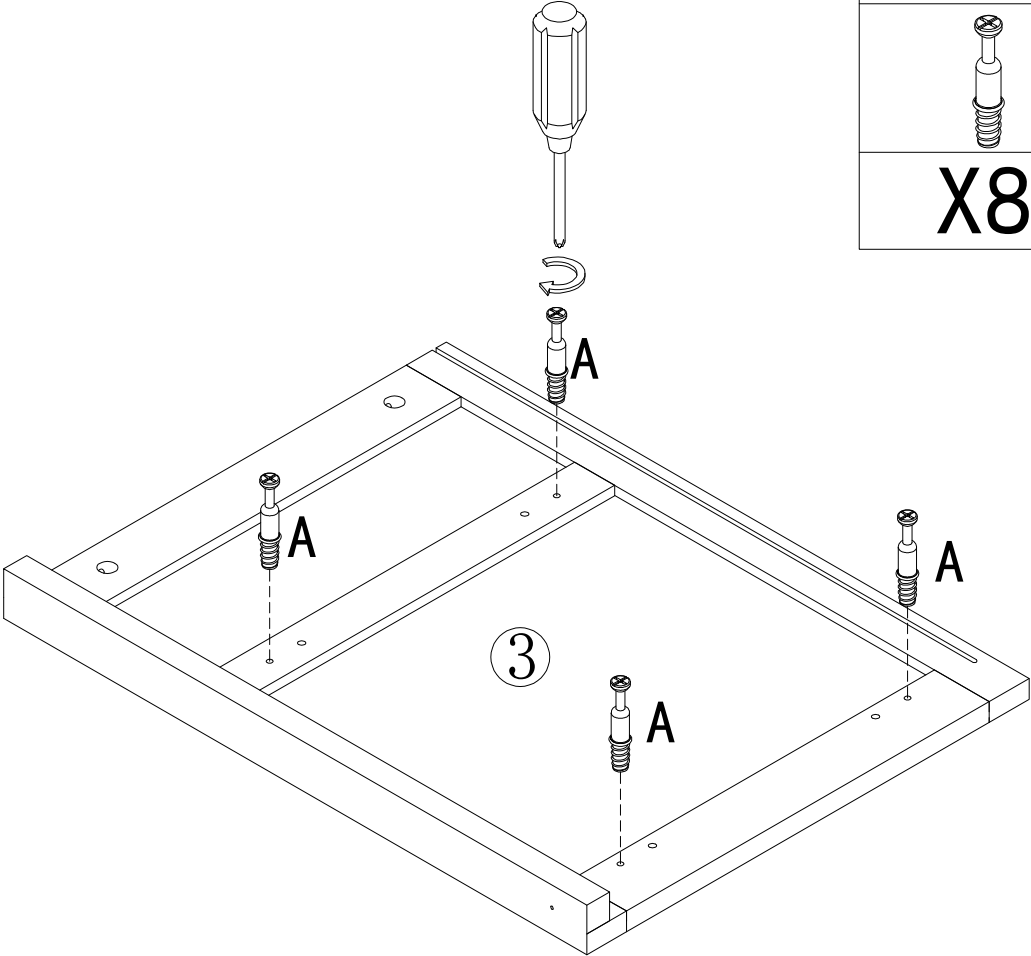
**O**




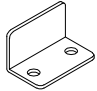
1X

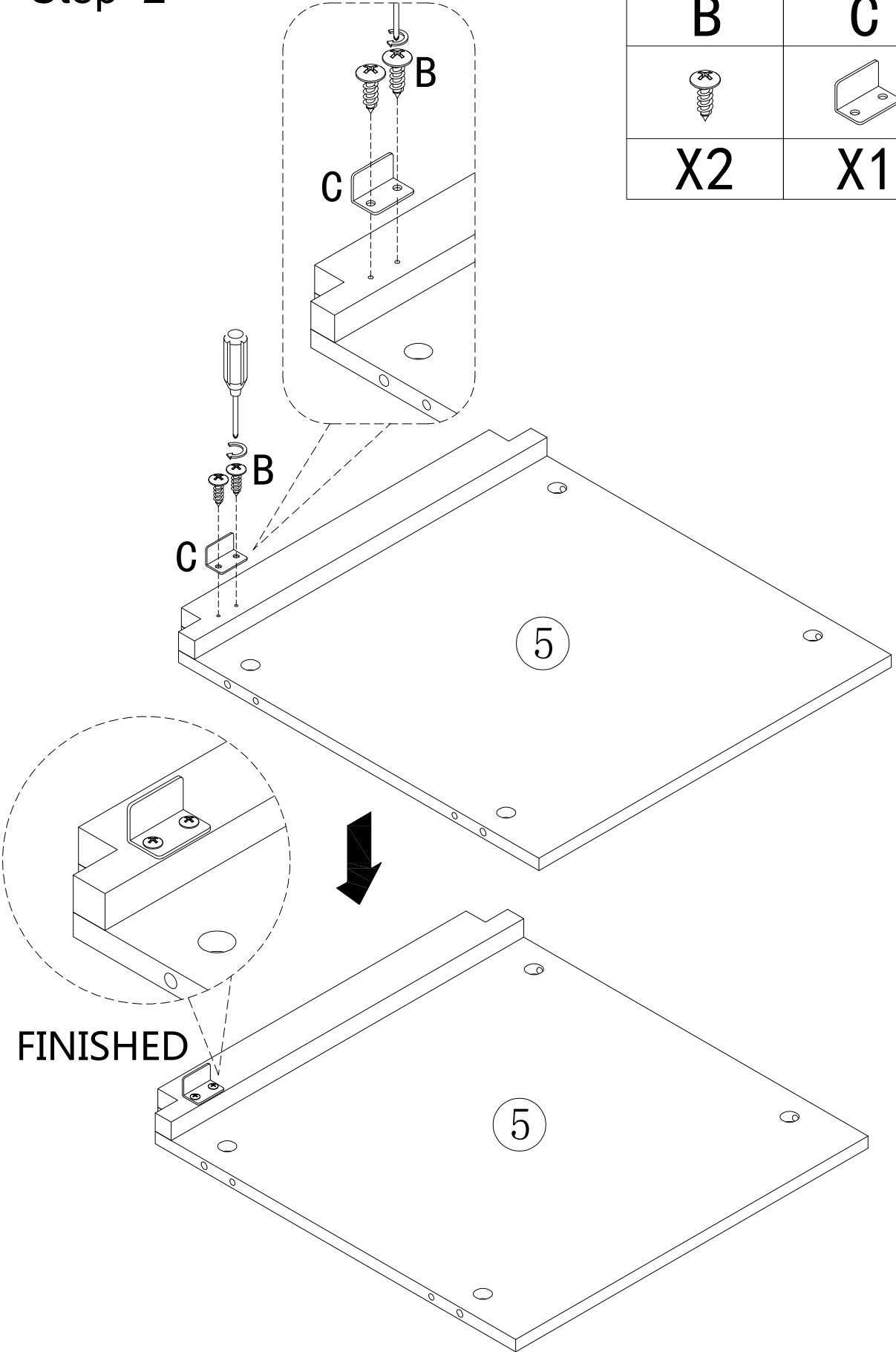
# Step 1

<b>A</b>

<b>X8</b>

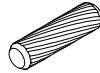



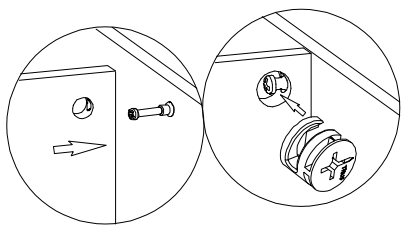
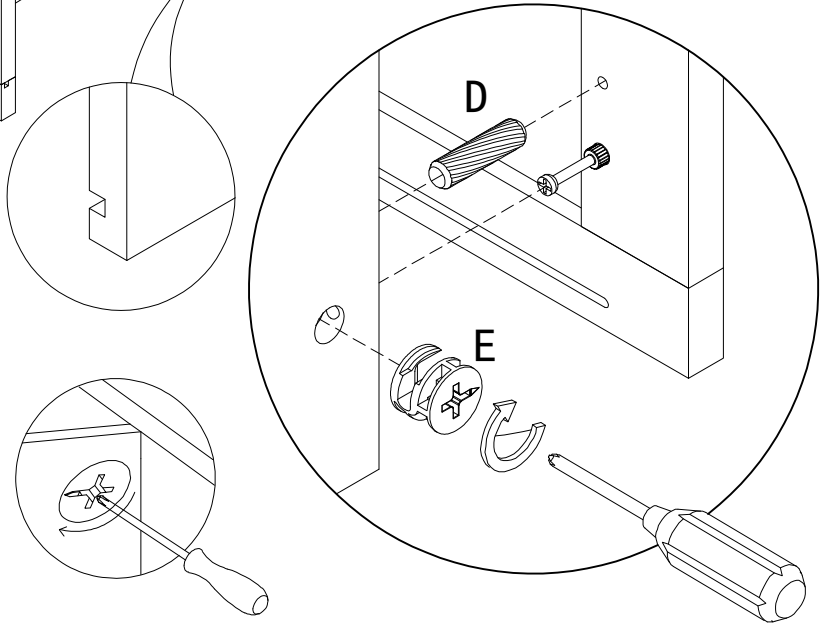
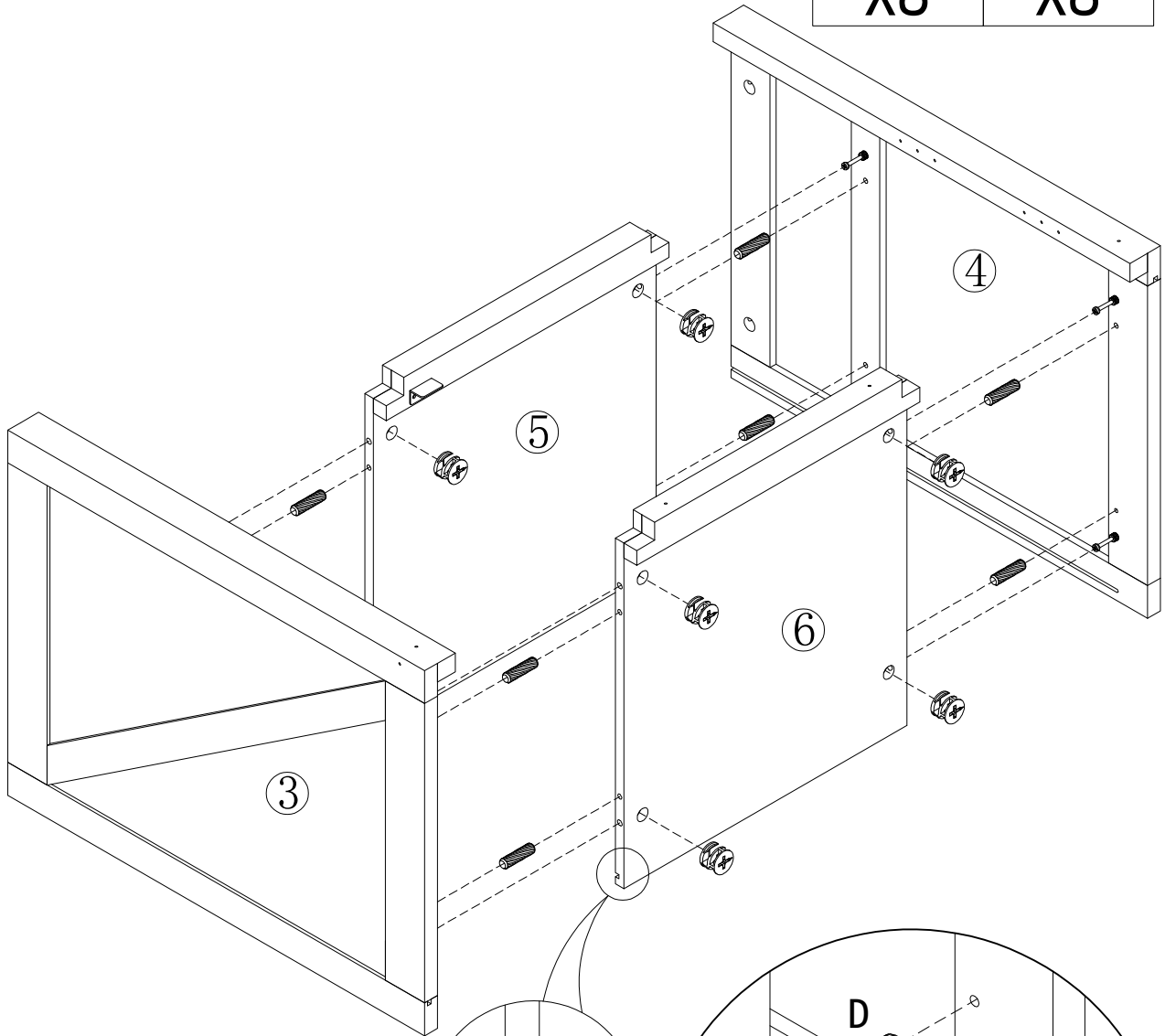
Step 2

<b>B</b>	<b>C</b>
	
<b>X2</b>	<b>X1</b>

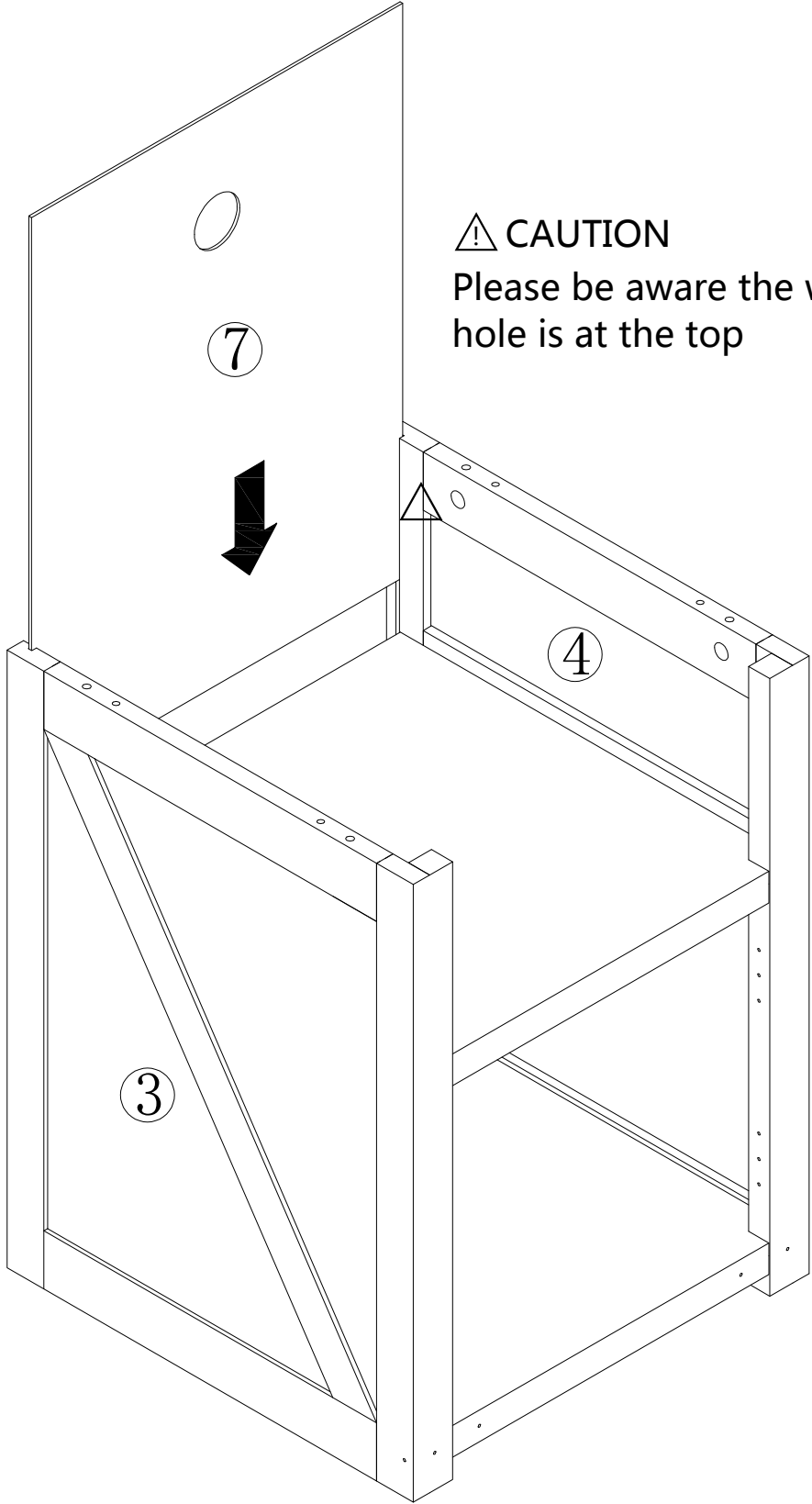


# Step 3

D	E
	
X8	X8


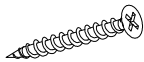


# Step 4

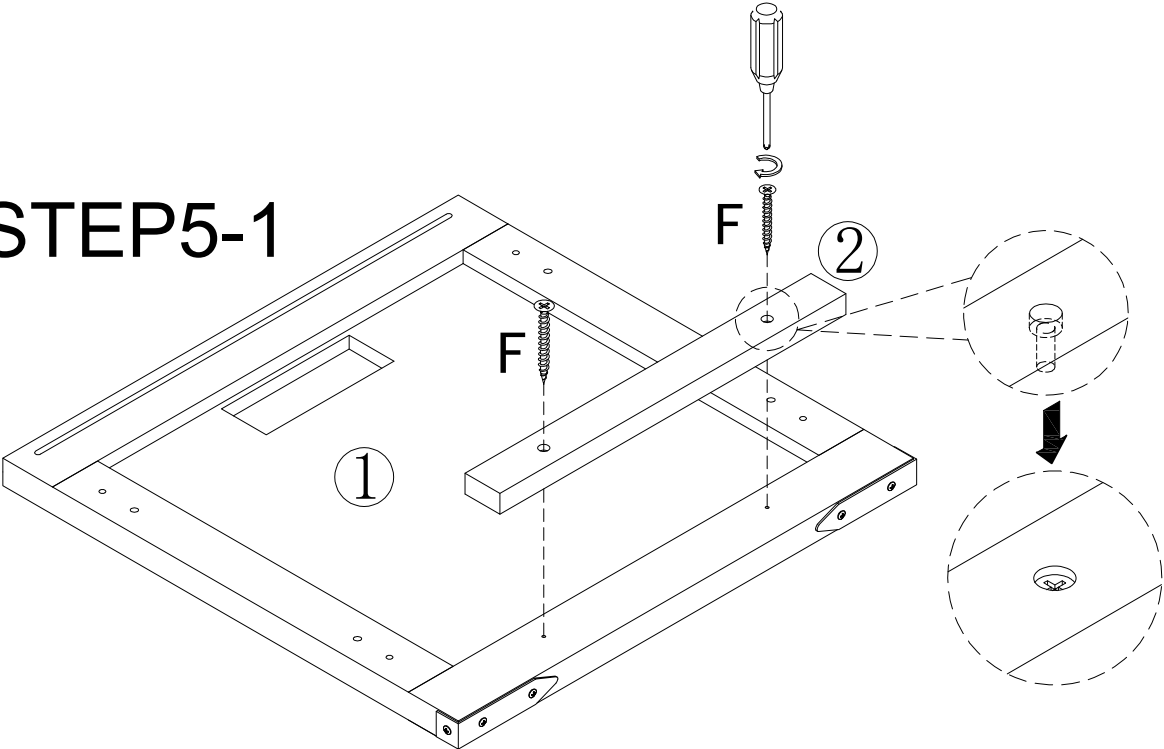


**⚠ CAUTION**  
Please be aware the wire hole is at the top

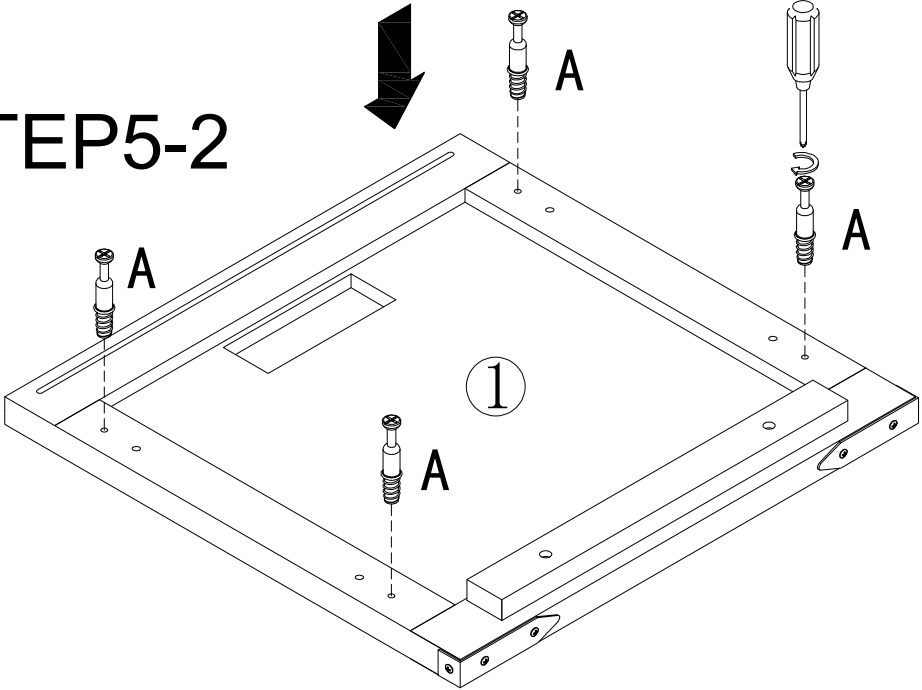
# Step 5

A	F
	
X4	X2

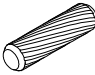

## STEP5-1

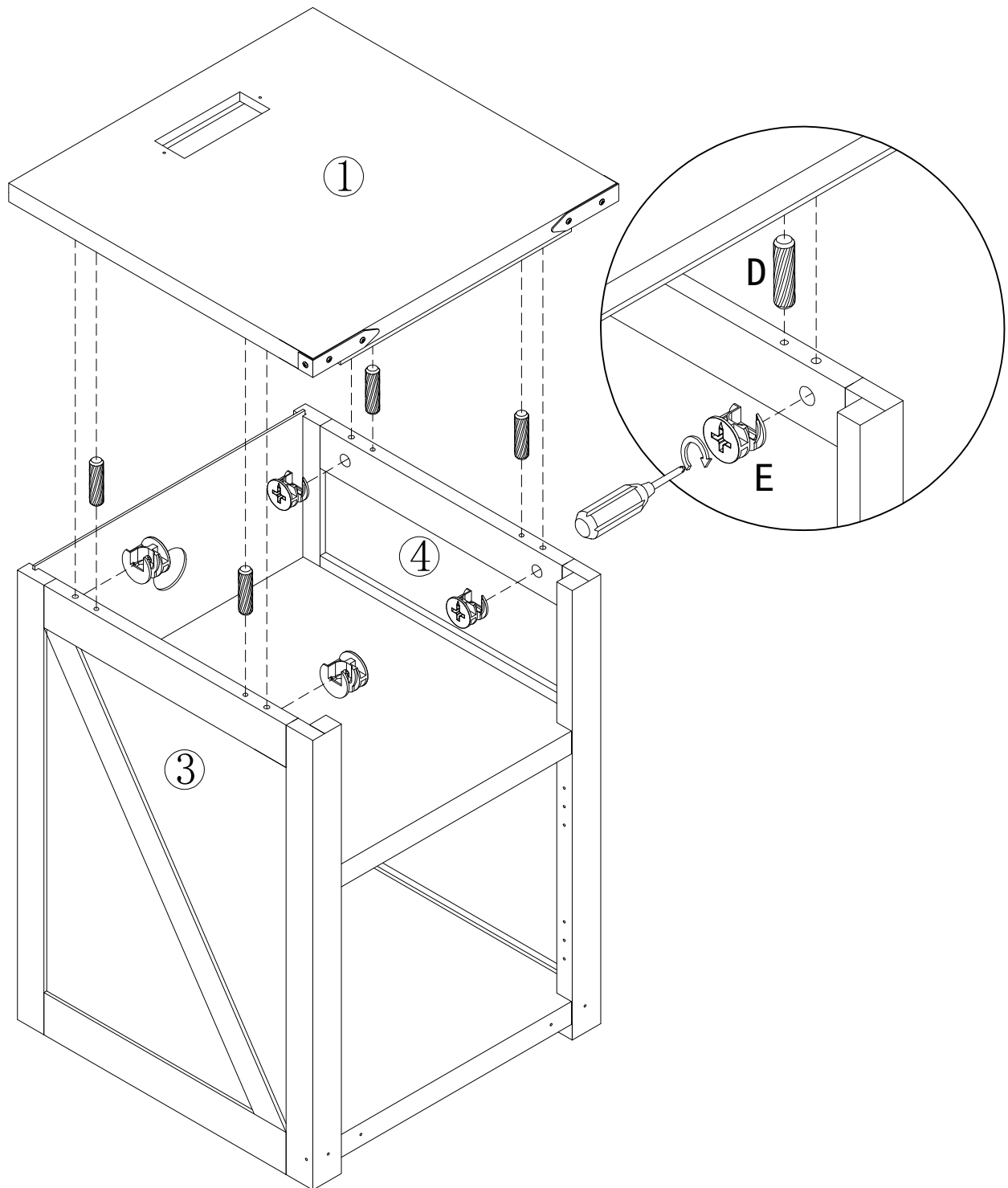


## STEP5-2

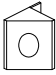



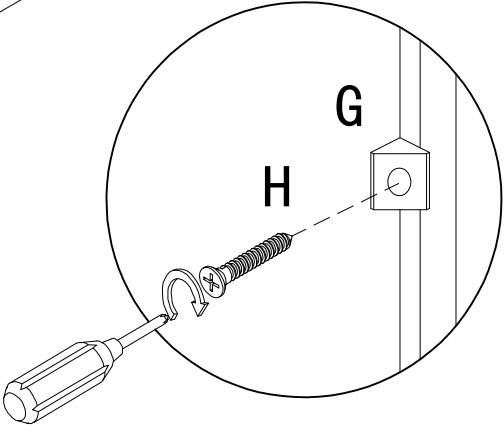
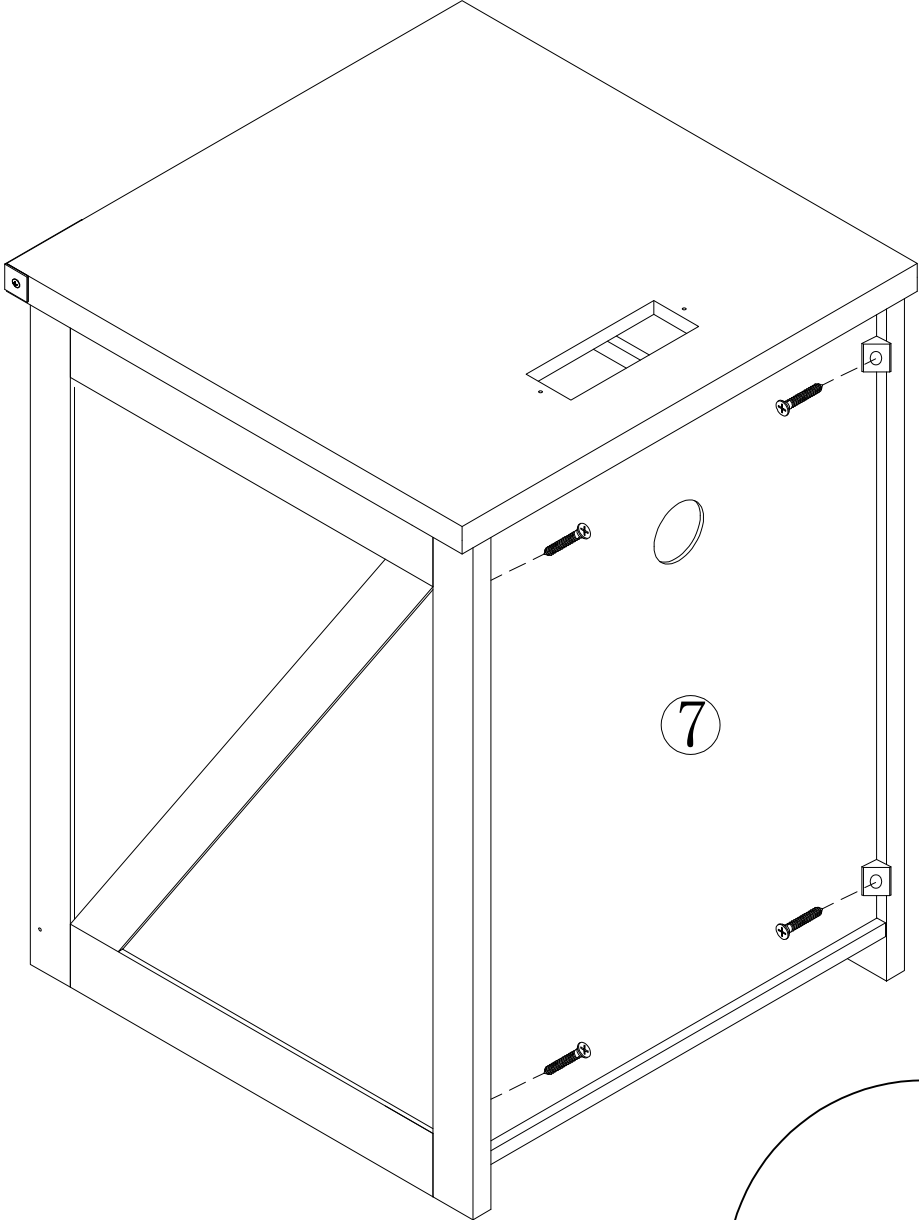
# Step 6

D	E
	
X4	X4


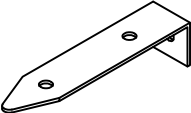


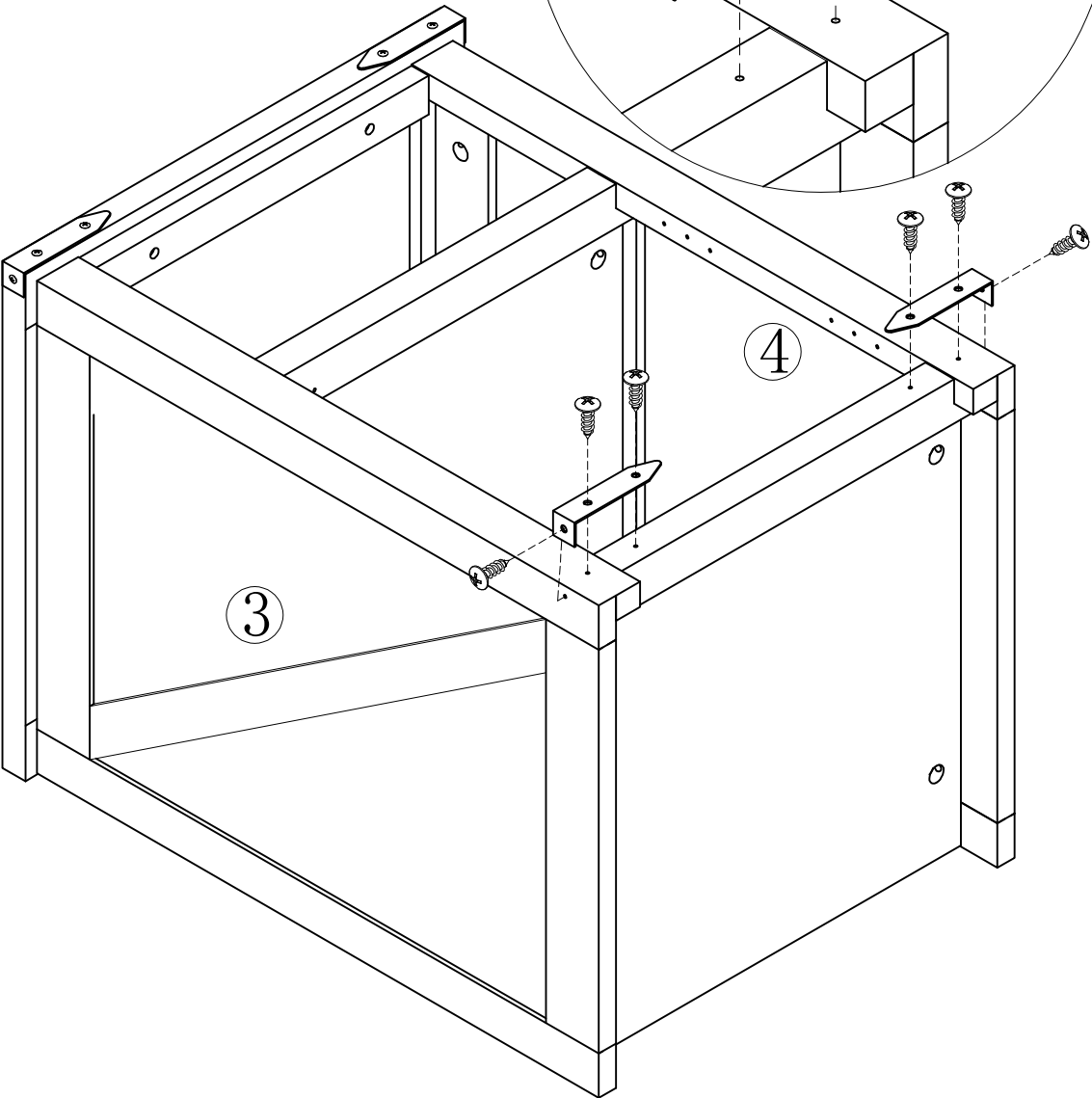
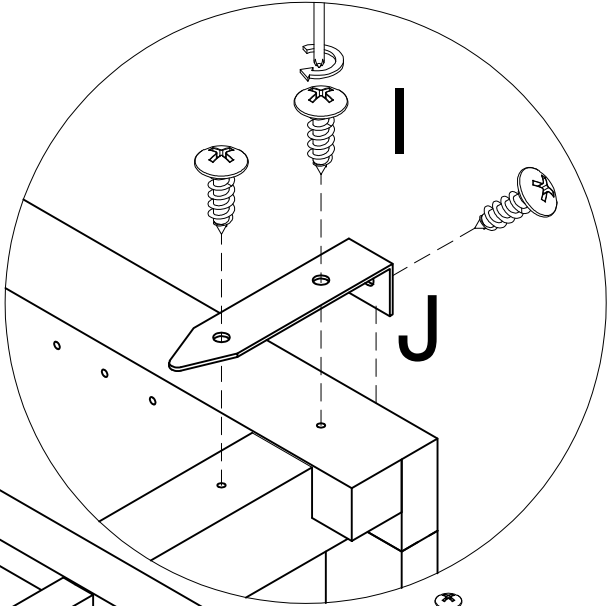
# Step 7

<b>G</b>	<b>H</b>
	
<b>X4</b>	<b>X4</b>


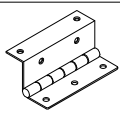


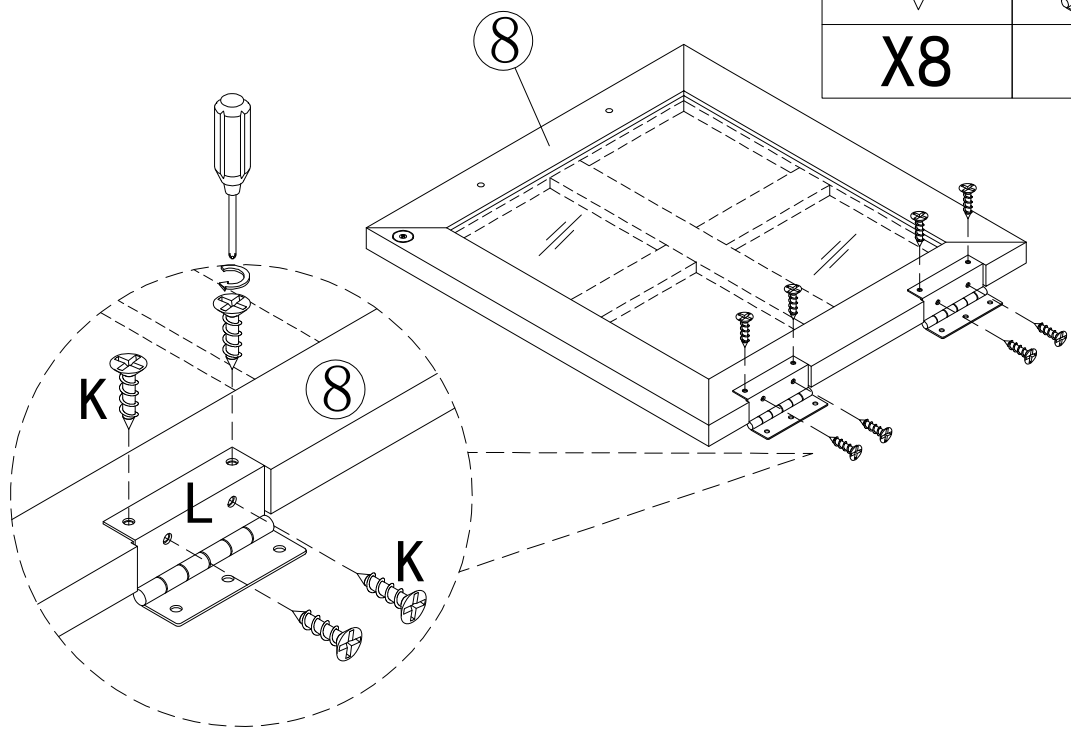
# Step 8

I	J
	
X6	X2

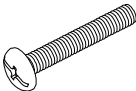
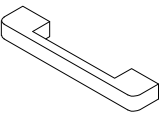


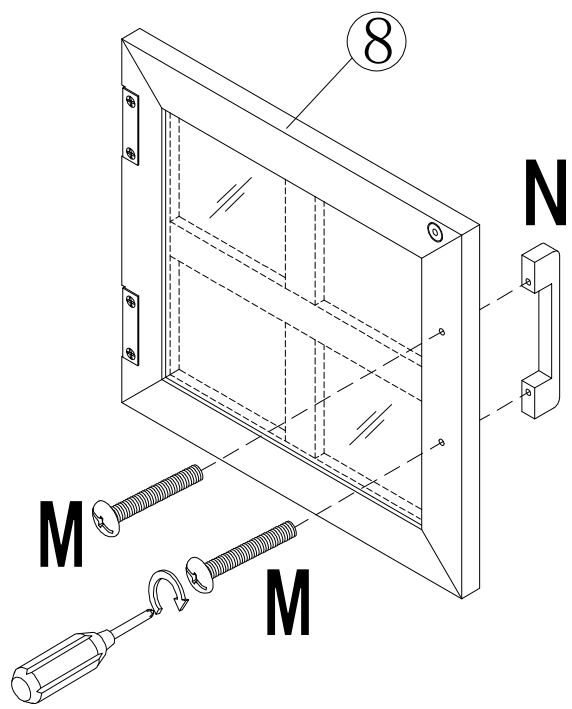
# Step 9

<b>K</b>	<b>L</b>
	
<b>X8</b>	<b>X2</b>

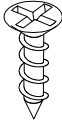


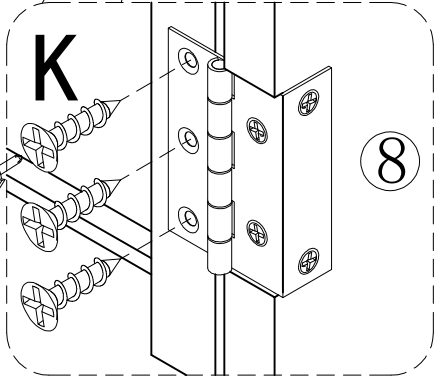
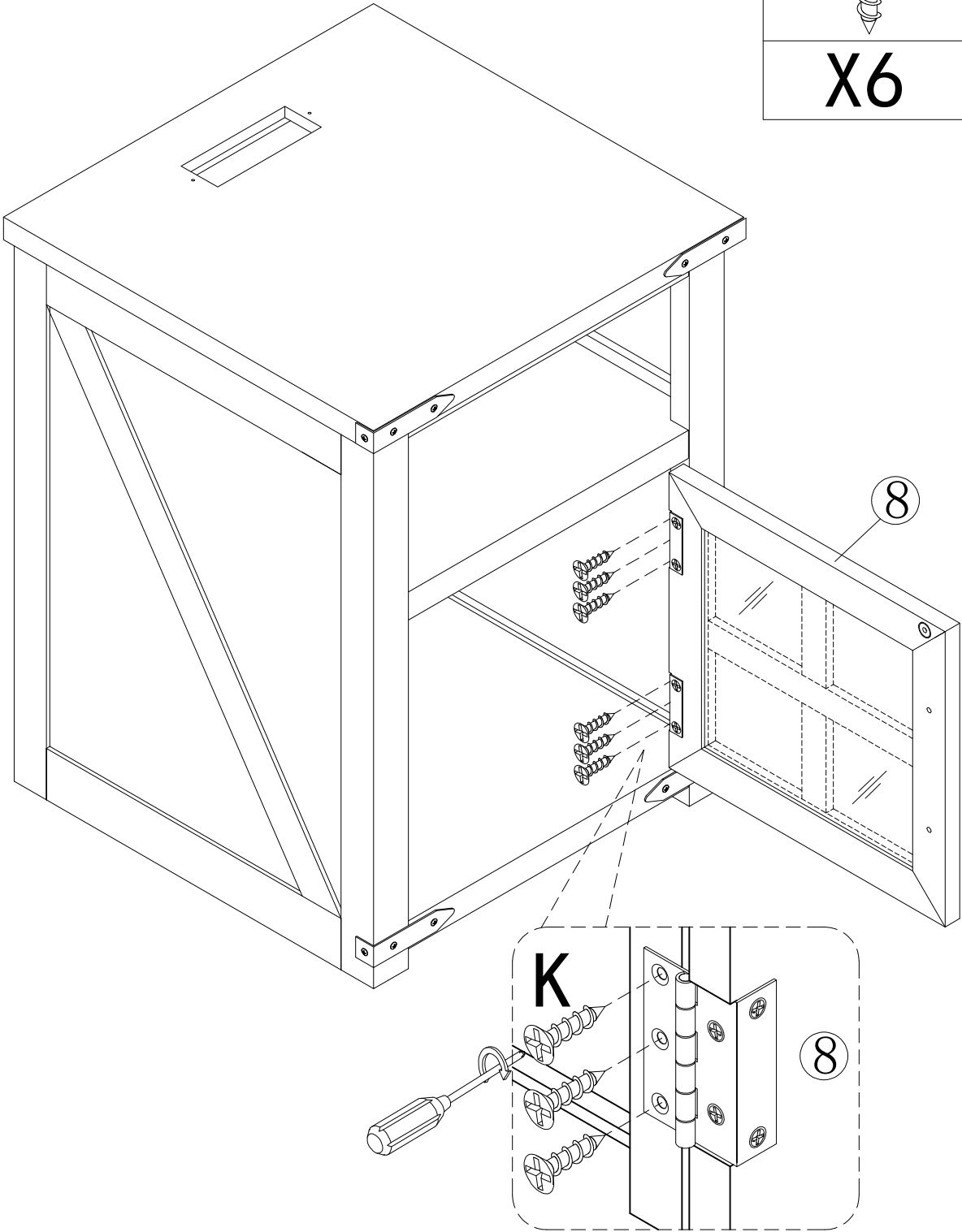
# Step 10

<b>M</b>	<b>N</b>
	
<b>X2</b>	<b>X1</b>


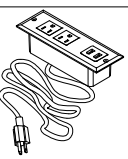


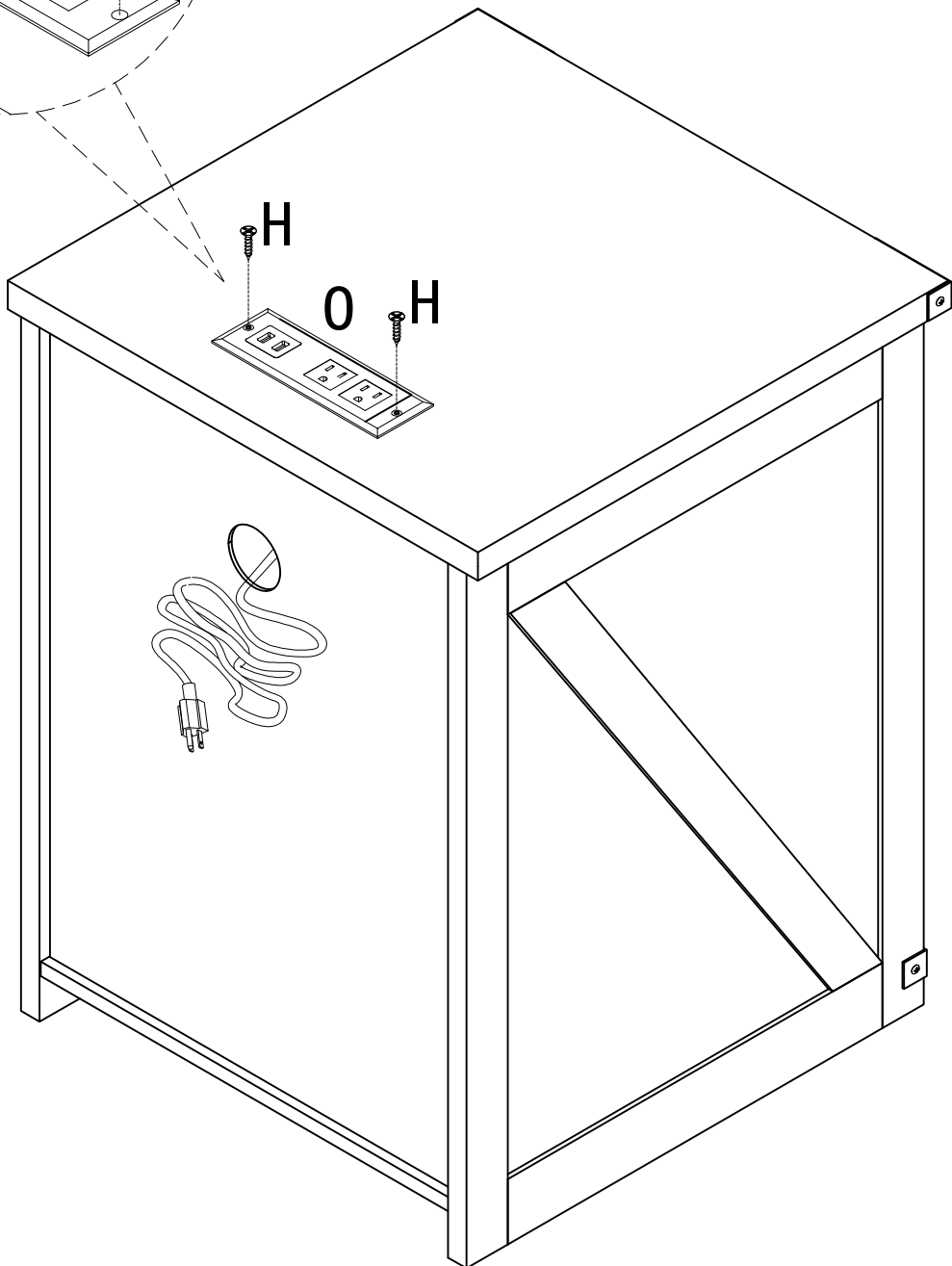
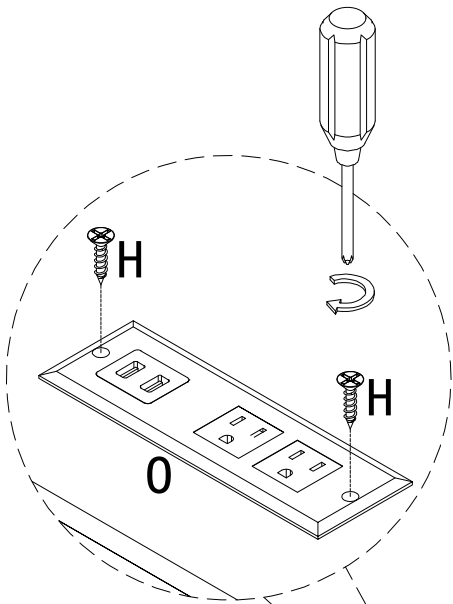
# Step 11

<b>K</b>

<b>X6</b>



# Step 12

<b>H</b>	<b>O</b>
	
<b>X2</b>	<b>X1</b>



# Step 13

